

Date

08/21/2014

Project Name

EVO rock gym

Project Number**Client / Purchaser**

Submittal Summary Page

Qty	Tag #	Model #	Description
1		ZJ037N05S2AAA5	3 Ton, York Predator Single Packaged R-410A Air Conditioner, 15.0 SEER / 12.2 EER, Single Stage Cooling, 49 MBH Output Aluminized Steel, Two Stage Gas Heat, 1.5 HP High Static Belt Drive Blower, 2" Throwaway Filters, 208/230-3-60, Microchannel Condenser Coil, Composite Drain Pan • Single Enthalpy Horizontal Economizer and Hood (No Barometric Relief Damper or Hood)
1		1EH0408	Barometric Relief Kit for Power Exhaust, Horizontal Application (Includes Hood)
1		1001831	Roof Curb - 24" High, Flat, Uninsulated, Full Perimeter (Shipped Knocked Down)
1		2AQ04700424C	CO2 Control Kit - Unit Mounted with Mounting Hardware
1		2EC04700924	Dual Enthalpy Control (For Use with Honeywell 7212 Model Actuators Only)
1		ZJ061N09S2AAA5	5 Ton, York Predator Single Packaged R-410A Air Conditioner, 15.0 SEER / 12.2 EER, Single Stage Cooling, 97 MBH Output Aluminized Steel, Two Stage Gas Heat, 2 HP High Static Belt Drive Blower, 2" Throwaway Filters, 208/230-3-60, Microchannel Condenser Coil, Composite Drain Pan • Single Enthalpy Horizontal Economizer and Hood (No Barometric Relief Damper or Hood)
1		1EH0408	Barometric Relief Kit for Power Exhaust, Horizontal Application (Includes Hood)
1		1001831	Roof Curb - 24" High, Flat, Uninsulated, Full Perimeter (Shipped Knocked Down)
1		2AQ04700424C	CO2 Control Kit - Unit Mounted with Mounting Hardware
1		2EC04700924	Dual Enthalpy Control (For Use with Honeywell 7212 Model Actuators Only)

Qty	Tag #	Model #	Description
1		ZJ300N32L2JZZ20001	25 Ton, York Large Sunline Single Packaged R-410A Air Conditioner, 10.5 EER / 10.6 IEER, Four Stage Cooling, 320 MBH Output Aluminized Steel, Two Stage Gas Heat, 15 HP High Static Belt Drive Blower, 2" Throwaway Filters, 208/230-3-60, Galvanized Steel Drain Pan <ul style="list-style-type: none"> • Dry Bulb Low Leak Economizer with Hood (No Barometric Relief Damper or Hood) • Supply Air Smoke Detector • Non Powered Convenience Outlet (110 VAC) • HACR Circuit Breaker/Disconnect (Sized for 208 Volts) • Simplicity® Intelli-Comfort II Controller (Modbus RTU Protocol) - Pre Configured for Space Sensor Control • IntelliSpeed Control with VFD
1		1LD0435	High Speed Drive Kit
1		1000196	Roof Curb - 24" High, Flat, Uninsulated, Full Perimeter (Shipped Knocked Down)
1		1WS0404	Wood Skid - Allows unit to be handled with 90 inch forks
1		2AQ04700424C	CO2 Control Kit - Unit Mounted with Mounting Hardware
1		S1-02546381000	Dual Enthalpy Control - For Economizers equipped with Honeywell Jade Control Only.
1		2PE04703425	Power Exhaust Kit- 208/230-1-60 with Barometric Relief and Exhaust Hood (Downflow Unit or Horizontal Duct Mounted)

Equipment start-up and commissioning by a factory trained technician is recommended.
Contact your supplying distributor or sales representative for additional information & guidance.

Single Package R-410A Air Conditioner

Project Name: EVO rock gym

Unit Model #: ZJ037N05S2AAA5

Quantity: 1

System: ZJ037N05S2AAA5

Cooling Performance

Total capacity	39.9 MBH
Sensible capacity	28.1 MBH
Refrigerant type	R-410A
Seasonal Efficiency (at ARI)	15.00 SEER
Efficiency (at ARI)	12.20 EER
Ambient DB temp.	86.8 °F
Entering DB temp.	80.0 °F
Entering WB temp.	67.0 °F
Leaving DB temp.	58.3 °F
Leaving WB temp.	56.4 °F
Power input (w/o blower)	2.26 kW
Sound power	77 dB(A)

Gas Heating Performance

Entering DB temp.	60 °F
Heating output capacity (Max)	49 MBH
Supply air	1200 CFM
Heating input capacity (Max)	60 MBH
Leaving DB temp.	97.8 °F
Air temp. rise	37.8 °F
SSE	81.5 %
Stages	2

Supply Air Blower Performance

Supply air	1200 CFM
Ext. static pressure	1.5 IWG
Blower speed	1039 RPM
Max BHP of Motor (including service factor)	1.73 HP
Duct location	Side
Motor rating	1.50 HP
Actual required BHP	0.90 HP
Power input	0.84 kW
Elevation	62 ft.
Drive type	BELT
Requires field-supplied drive	true

Electrical Data

Power supply	230-3-60
Unit min circuit ampacity	18.4 Amps
Unit max over-current protection	25 Amps

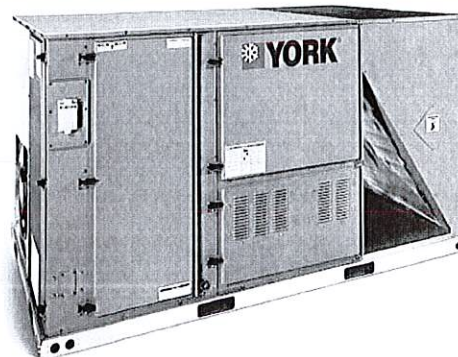
Dimensions & Weight

Hgt	42 in.	Len	89 in.	Wth	59 in.
Weight with factory installed options	920 lbs.				

Clearances

Right	12 in.	Front	36 in.	Back	36 in.
Top	72 in.	Bottom	0 in.	Left	36 in.

Note: Please refer to the tech guide for listed maximum static pressures



3 Ton

- York Predator units are manufactured at an ISO 9001 registered facility and each rooftop is completely computer-run tested prior to shipment.

Unit Features

- Unit Cabinet Constructed of Powder Painted Steel, Certified At 1000 Hours Salt Spray Test (ASTM B-117 Standards)
- Through-the-Curb and Through-the-Base Utility Connections
- Full perimeter base rails with built in rigging capabilities
- Hinged Access Panels
- Slide-Out Condensate Drain Pan
- Reciprocating Compressor
- Single Stage Cooling
- Solid Core Liquid Line Filter Driers
- Microchannel Condenser Coil
- 49 MBH Output Aluminized Steel, Two Stage Gas Heat
- Slide-Out Blower/1.5 HP Belt Drive Motor Assembly
- Unit Ships with 2" Throwaway Filters with a Standard Filter Rack that will Accept up to 4" Filters
- Single Point Power Connection
- Single Enthalpy Horizontal Economizer and Hood (No Barometric Relief Damper or Hood)
- Short Circuit Current: 5kA RMS Symmetrical

Standard Unit Controller: Simplicity Control Board

- An integrated low-ambient control, anti-short cycle protection, lead-lag, fan on and fan off delays, low voltage protection, on-board diagnostic and fault code display.
- Safety Monitoring - Monitors the high and low-pressure switches, the freezestats, the gas valve, if applicable, and the temperature limit switch on gas and electric heat units. The unit control board will alarm on ignition failures, safety lockouts and repeated limit switch trips.

Warranty

- One (1) Year Limited Warranty on the Complete Unit
- Five (5) Year Warranty - Compressors
- Ten (10) Year Warranty - Aluminized Steel Tubular Heat Exchangers



Predator

Single Package R-410A Air Conditioner

Project Name: EVO rock gym

Unit Model #: ZJ037N05S2AAA5

Quantity: 1

System: ZJ037N05S2AAA5

Factory Installed Options

ZJ037N05S2AAA5

Product Category:	Z	York Predator Single Packaged R-410A Air Conditioner
Product Identifier:	J	15.0 SEER / 12.2 EER
Nominal Cooling Capacity:	037	3 Ton Single Stage Cooling
Heat Type and Nominal Heat Capacity:	N05	49 MBH Output Aluminized Steel, Two Stage Gas Heat
Airflow:	S	1.5 HP High Static Belt Drive Blower Single Enthalpy Horizontal Economizer and Hood (No Barometric Relief Damper or Hood) 2" Throwaway Filters
Voltage:	2	208/230-3-60
Installation Options:	A	
Additional Options:	AA	Microchannel Condenser Coil Composite Drain Pan
Product Generation:	5	

Field Installed Accessories

- 1EH0408 - Barometric Relief Kit for Power Exhaust, Horizontal Application (Includes Hood) (27.0 lbs)
- 1001831 Roof Curb - 24" High, Flat, Uninsulated, Full Perimeter (Shipped Knocked Down) (135.0 lbs)
- 2AQ04700424C - CO2 Control Kit - Unit Mounted with Mounting Hardware (5.0 lbs)
- 2EC04700924 - Dual Enthalpy Control (For Use with Honeywell 7212 Model Actuators Only) (1.0 lbs)



Predator

Single Package R-410A Air Conditioner

Project Name: EVO rock gym

Unit Model #: ZJ037N05S2AAA5

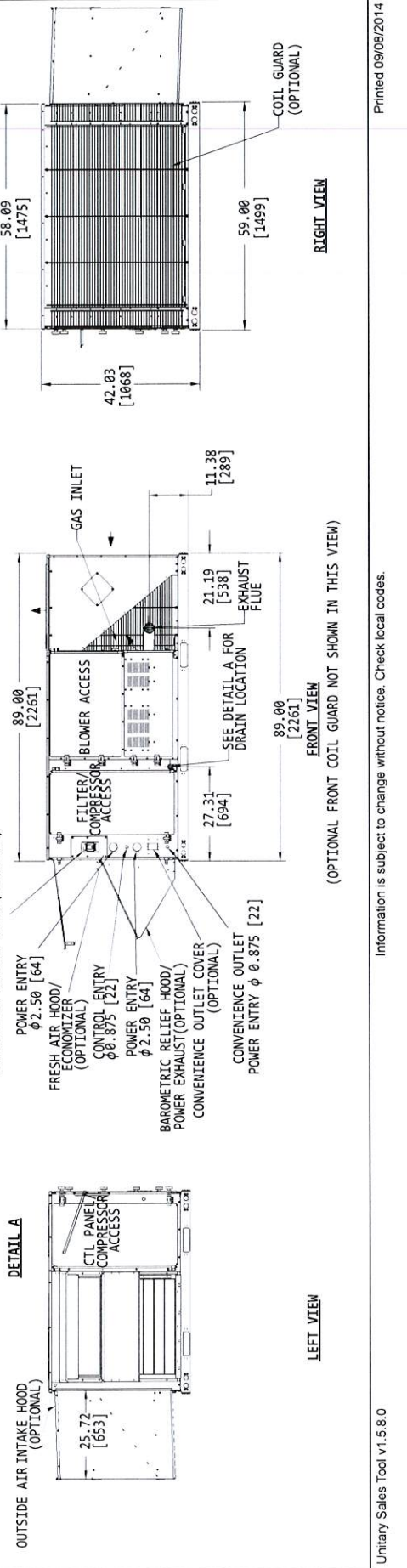
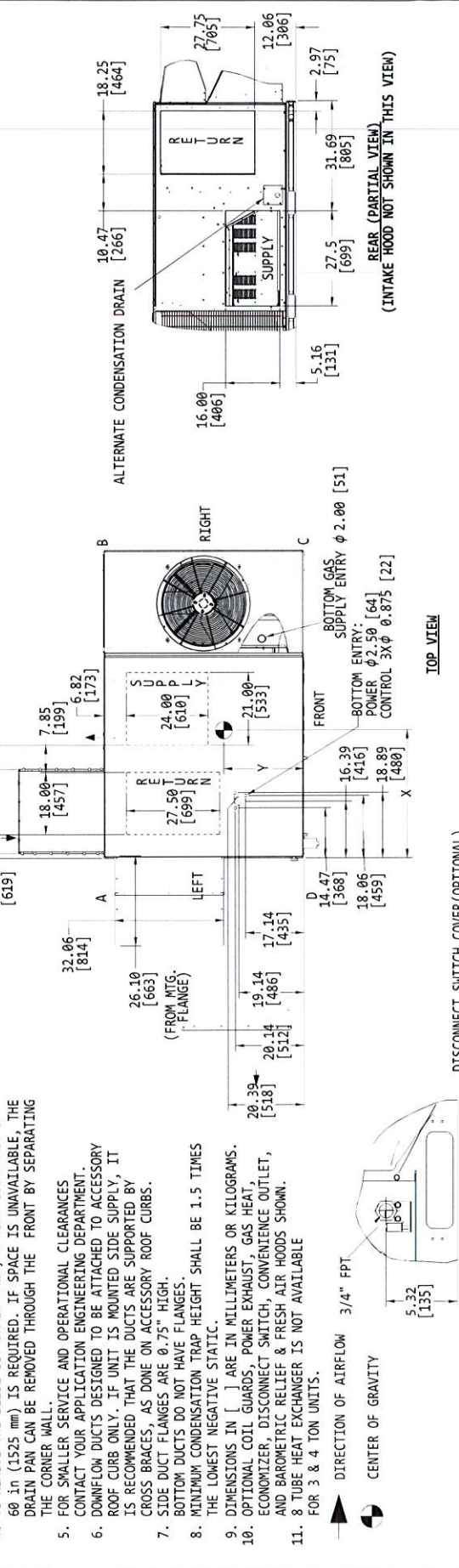
Quantity: 1

System: ZJ037N05S2AAA5

Consolidated Drawing

TONNAGE	UNIT	OPERATING WEIGHT (LBS) (BASE UNIT)	CENTER OF GRAVITY LOCATION (BASE UNIT)				4 POINT CORNER LOADS (LBS) (BASE UNIT)			
			X	Y	A	B	C	D		
3	ZH	723 [328]	40 [1016]	26 [660]	175 [79]	143 [65]	182 [83]	223 [101]		
4	ZH	763 [346]	40 [1016]	26 [660]	185 [84]	151 [69]	192 [87]	235 [107]		
3	ZJ	740 [336]	40 [1016]	26 [660]	180 [82]	147 [67]	186 [84]	228 [103]		
4	ZJ	775 [352]	40 [1016]	26 [660]	174 [79]	142 [65]	207 [94]	253 [115]		
3	ZR	867 [393]	39 [991]	24 [610]	215 [98]	167 [76]	212 [96]	272 [123]		

- NOTES:
- FOR OUTDOOR USE ONLY.
 - WEIGHTS SHOWN ARE FOR COOLING ONLY UNITS.
 - MIN. CLEARANCES TO BE:
 - RIGHT SIDE: 12 [305]
 - LEFT SIDE: 36 [915]
 - FRONT: 36 [915]
 - REAR: 36 [915]
 - TOP: 72 [1830]
 - BOTTOM: 0 [0]
 - TO REMOVE THE SLIDE-OUT DRAIN PAN, A REAR CLEARANCE OF 60 in (1525 mm) IS REQUIRED. IF SPACE IS UNAVAILABLE, THE DRAIN PAN CAN BE REMOVED THROUGH THE FRONT BY SEPARATING THE CORNER WALL.
 - FOR SMALLER SERVICE AND OPERATIONAL CLEARANCES CONTACT YOUR APPLICATION ENGINEERING DEPARTMENT.
 - DOWNFLOW DUCTS DESIGNED TO BE ATTACHED TO ACCESSORY ROOF CURB ONLY. IF UNIT IS MOUNTED SIDE SUPPLY, IT IS RECOMMENDED THAT THE DUCTS ARE SUPPORTED BY CROSS BRACES, AS DONE ON ACCESSORY ROOF CURBS.
 - SIDE DUCT FLANGES ARE 0.75" HIGH.
 - MINIMUM CONDENSATION TRAP HEIGHT SHALL BE 1.5 TIMES THE LOWEST NEGATIVE STATIC.
 - DIMENSIONS IN [] ARE IN MILLIMETERS OR KILOGRAMS.
 - OPTIONAL COIL GUARDS, POWER EXHAUST, GAS HEAT ECONOMIZER, DISCONNECT SWITCH, CONVENIENCE OUTLET, AND BAROMETRIC RELIEF & FRESH AIR HOODS SHOWN.
 - 8 TUBE HEAT EXCHANGER IS NOT AVAILABLE FOR 3 & 4 TON UNITS.



Cambridgeport

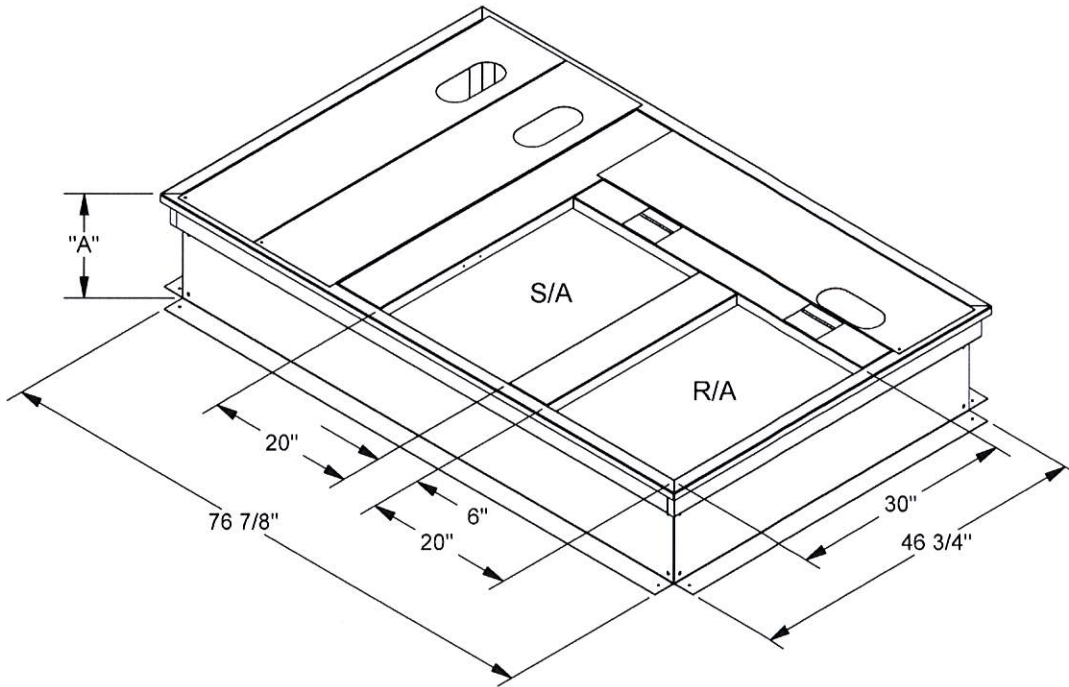
SUBMITTAL

SUBMITTED TO _____
 COMPANY _____
 JOB NAME _____
 EQUIPMENT _____
 SIGNATURE _____
 DATE _____

ROOF CURBS FOR YORK ROOFTOP UNITS

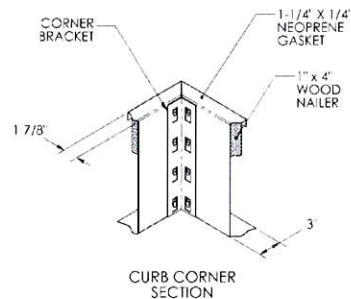
BP, DH, DM, 078-150
 XP, ZF, ZH, ZJ, ZR, 078-150
 ZH, ZJ, ZR 037 & 049 & 061
 DF 078-120
 DR 090-150
 DJ150

PART #		PART #	CURB HEIGHT
CAS	YORK	INSULATED	"A"
1001586	1RCO471	1001842	14"
1004357	1RCO470	1004358	8"
1001538	N/A	1004359	18"
1001831	1RCO476	1004360	24"



FEATURES

- MITERED TOP CORNERS
- ROOF CURB IS FABRICATED OF 18GA G90 GALVANIZED STEEL
- FULL PERIMETER WOOD NAILER
- PRE-PUNCHED ASSEMBLY HOLES AND HARDWARE INCLUDED FOR DUCT SUPPORT INSTALLATION
- ROOF CURB IS SHIPPED UNASSEMBLED
- * CURBS ARE INTERNALLY INSULATED WITH 1" THICK 1-1/2 LB DENSITY DUCT LINER



Project Name: EVO rock gym

Unit Model #: ZJ061N09S2AAA5

Quantity: 1

System: ZJ061N09S2AAA5

Cooling Performance

Total capacity	66.7 MBH
Sensible capacity	48.0 MBH
Refrigerant type	R-410A
Seasonal Efficiency (at ARI)	15.00 SEER
Efficiency (at ARI)	12.20 EER
Ambient DB temp.	86.8 °F
Entering DB temp.	80.0 °F
Entering WB temp.	67.0 °F
Leaving DB temp.	57.8 °F
Leaving WB temp.	56.4 °F
Power input (w/o blower)	3.75 kW
Sound power	84 dB(A)

Gas Heating Performance

Entering DB temp.	60 °F
Heating output capacity (Max)	97 MBH
Supply air	2000 CFM
Heating input capacity (Max)	120 MBH
Leaving DB temp.	104.9 °F
Air temp. rise	44.9 °F
SSE	81.0 %
Stages	2

Supply Air Blower Performance

Supply air	2000 CFM
Ext. static pressure	1.5 IWG
Unit static resistance	0.18 IWG
Blower speed	1172 RPM
Max BHP of Motor (including service factor)	2.30 HP
Duct location	Side
Motor rating	2.00 HP
Actual required BHP	1.35 HP
Power input	1.26 kW
Elevation	62 ft.
Drive type	BELT

Electrical Data

Power supply	230-3-60
Unit min circuit ampacity	27.4 Amps
Unit max over-current protection	35 Amps

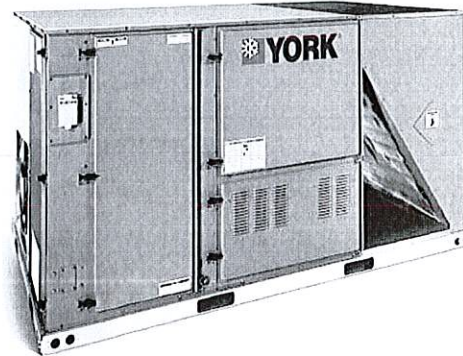
Dimensions & Weight

Hgt	42 in.	Len	89 in.	Wth	59 in.
Weight with factory installed options	960 lbs.				

Clearances

Right	12 in.	Front	36 in.	Back	36 in.
Top	72 in.	Bottom	0 in.	Left	36 in.

Note: Please refer to the tech guide for listed maximum static pressures



5 Ton

- York Predator units are manufactured at an ISO 9001 registered facility and each rooftop is completely computer-run tested prior to shipment.

Unit Features

- Unit Cabinet Constructed of Powder Painted Steel, Certified At 1000 Hours Salt Spray Test (ASTM B-117 Standards)
- Through-the-Curb and Through-the-Base Utility Connections
- Full perimeter base rails with built in rigging capabilities
- Hinged Access Panels
- Slide-Out Condensate Drain Pan
- Reciprocating Compressor
- Single Stage Cooling
- Solid Core Liquid Line Filter Driers
- Microchannel Condenser Coil
- 97 MBH Output Aluminized Steel, Two Stage Gas Heat
- 2 HP High Static Belt Drive Blower
- Unit Ships with 2" Throwaway Filters with a Standard Filter Rack that will Accept up to 4" Filters
- Single Point Power Connection
- Single Enthalpy Horizontal Economizer and Hood (No Barometric Relief Damper or Hood)
- Short Circuit Current: 5kA RMS Symmetrical

Standard Unit Controller: Simplicity Control Board

- An integrated low-ambient control, anti-short cycle protection, lead-lag, fan on and fan off delays, low voltage protection, on-board diagnostic and fault code display.
- Safety Monitoring - Monitors the high and low-pressure switches, the freezestats, the gas valve, if applicable, and the temperature limit switch on gas and electric heat units. The unit control board will alarm on ignition failures, safety lockouts and repeated limit switch trips.

Warranty

- One (1) Year Limited Warranty on the Complete Unit
- Five (5) Year Warranty - Compressors
- Ten (10) Year Warranty - Aluminized Steel Tubular Heat Exchangers



Project Name: EVO rock gym

Unit Model #: ZJ061N09S2AAA5

Quantity: 1

System: ZJ061N09S2AAA5

Factory Installed Options

ZJ061N09S2AAA5

Product Category:	Z	York Predator Single Packaged R-410A Air Conditioner
Product Identifier:	J	15.0 SEER / 12.2 EER
Nominal Cooling Capacity:	061	5 Ton Single Stage Cooling
Heat Type and Nominal Heat Capacity:	N09	97 MBH Output Aluminized Steel, Two Stage Gas Heat
Airflow:	S	2 HP High Static Belt Drive Blower Single Enthalpy Horizontal Economizer and Hood (No Barometric Relief Damper or Hood) 2" Throwaway Filters
Voltage:	2	208/230-3-60
Installation Options:	A	
Additional Options:	AA	Microchannel Condenser Coil Composite Drain Pan
Product Generation:	5	

Field Installed Accessories

- 1EH0408 - Barometric Relief Kit for Power Exhaust, Horizontal Application (Includes Hood) (27.0 lbs)
- 1001831 Roof Curb - 24" High, Flat, Uninsulated, Full Perimeter (Shipped Knocked Down) (135.0 lbs)
- 2AQ04700424C - CO2 Control Kit - Unit Mounted with Mounting Hardware (5.0 lbs)
- 2EC04700924 - Dual Enthalpy Control (For Use with Honeywell 7212 Model Actuators Only) (1.0 lbs)



Predator

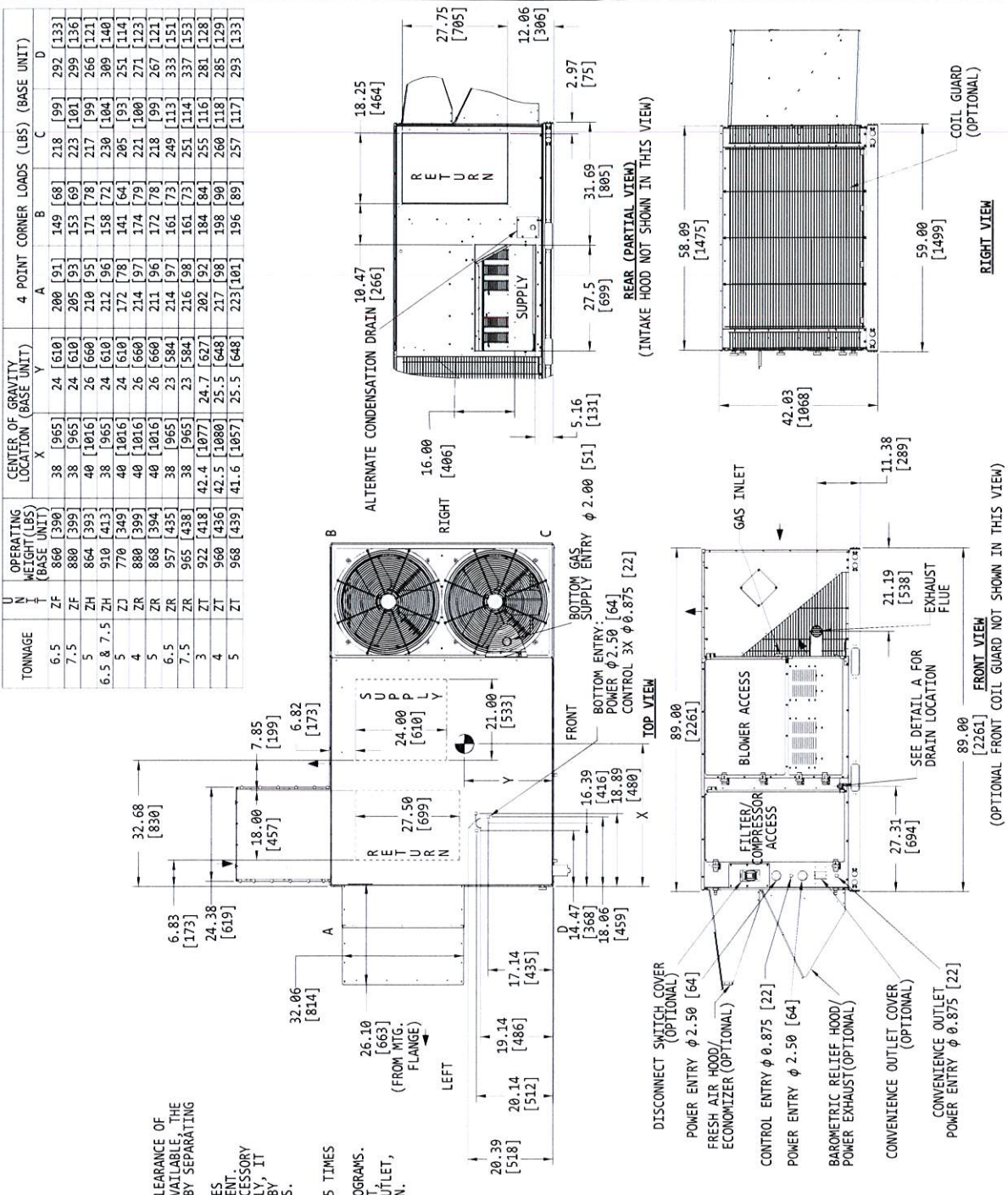
Single Package R-410A Air Conditioner

Project Name: EVO rock gym
 Quantity: 1
 Unit Model #: ZJ061N09S2AAAA5
 System: ZJ061N09S2AAAA5

Consolidated Drawing

TONNAGE	OPERATING WEIGHT (LBS) (BASE UNIT)				CENTER OF GRAVITY LOCATION (BASE UNIT)				4 POINT CORNER LOADS (LBS) (BASE UNIT)							
	U	V	Y	T	X	Y	A	B	C	D						
6.5	ZF	860	390		38	[965]	24	[610]	200	[91]	149	[68]	218	[99]	292	[133]
7.5	ZF	880	399		38	[965]	24	[610]	205	[93]	153	[69]	223	[101]	299	[136]
5	ZH	864	393		40	[1016]	26	[660]	210	[95]	171	[78]	217	[99]	266	[121]
6.5 & 7.5	ZH	910	413		38	[965]	24	[610]	212	[96]	158	[72]	230	[104]	309	[140]
5	ZJ	770	349		40	[1016]	24	[610]	172	[78]	141	[64]	205	[93]	251	[114]
4	ZR	880	399		40	[1016]	26	[660]	214	[97]	174	[79]	221	[100]	271	[123]
5	ZR	868	394		40	[1016]	26	[660]	211	[96]	172	[78]	218	[99]	267	[121]
6.5	ZR	957	435		38	[965]	23	[584]	214	[97]	161	[73]	249	[113]	333	[151]
7.5	ZR	965	438		38	[965]	23	[584]	216	[98]	161	[73]	251	[114]	337	[153]
3	ZT	922	418		42.4	[1077]	24.7	[627]	202	[92]	184	[84]	255	[116]	281	[128]
4	ZT	960	436		42.5	[1080]	25.5	[648]	217	[98]	198	[90]	260	[118]	285	[129]
5	ZT	968	439		41.6	[1057]	25.5	[648]	223	[101]	196	[89]	257	[117]	293	[133]

- NOTES:
- FOR OUTDOOR USE ONLY. WEIGHTS SHOWN ARE FOR COOLING ONLY UNITS.
 - MIN. CLEARANCES TO BE:
 - RIGHT SIDE: 12 [305]
LEFT SIDE: 36 [915]
FRONT: 36 [915]
REAR: 36 [915]
TOP: 72 [1830]
 - TO REMOVE THE SLIDE-OUT DRAIN PAN, A REAR CLEARANCE OF 60 IN (1525 mm) IS REQUIRED. IF SPACE IS UNAVAILABLE, THE DRAIN PAN CAN BE REMOVED THROUGH THE FRONT BY SEPARATING THE CORNER WALL.
 - FOR SMALLER SERVICE AND OPERATIONAL CLEARANCES, CONTACT YOUR APPLICATION ENGINEERING DEPARTMENT.
 - DOWNFLOW DUCTS DESIGNED TO BE ATTACHED TO ACCESSORY ROOF CURB ONLY. IF UNIT IS MOUNTED SIDE SUPPLY, IT IS RECOMMENDED THAT THE DUCTS ARE SUPPORTED BY CROSS BRACES, AS DONE ON ACCESSORY ROOF CURBS.
 - SIDE DUCT FLANGES ARE 0.75" HIGH.
 - MINIMUM CONDENSATION TRAP HEIGHT SHALL BE 1.5 TIMES THE LOWEST NEGATIVE STATIC.
 - DIMENSIONS IN [] ARE IN MILLIMETERS OR KILOGRAMS.
 - OPTIONAL COIL GUARDS, POWER EXHAUST, GAS HEAT ECONOMIZER, DISCONNECT SWITCH, CONVENIENCE OUTLET, AND BAROMETRIC RELIEF & FRESH AIR HOODS SHOWN, DELETED.
 - TUBE HEAT EXCHANGER IS NOT AVAILABLE FOR 3 & 4 TON UNITS.



Cambridgeport

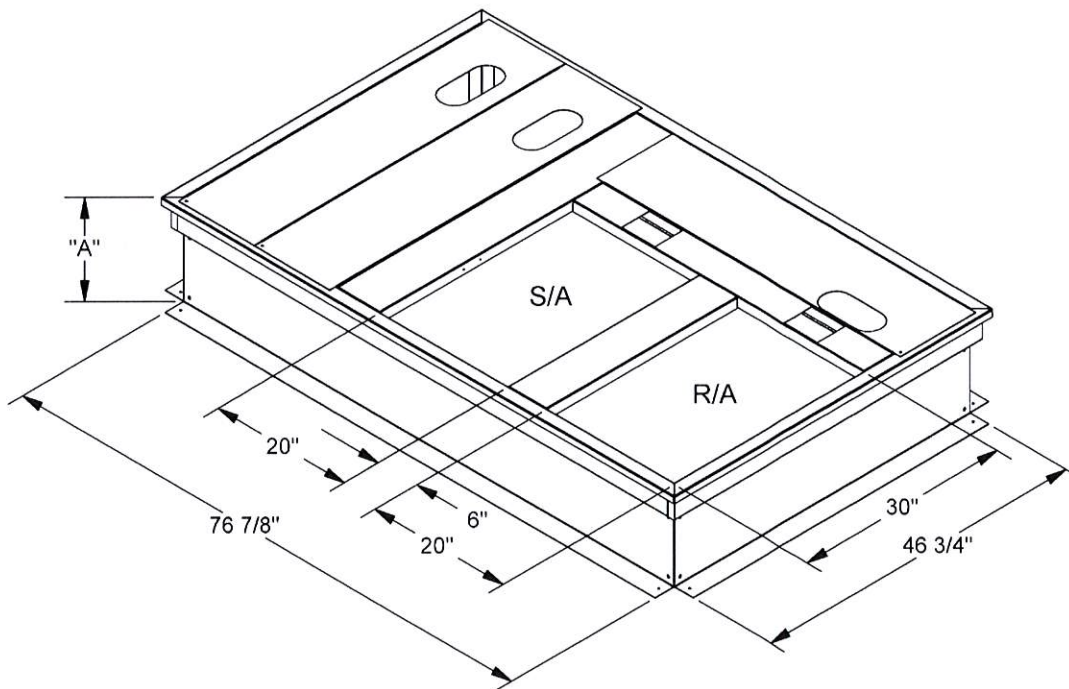
SUBMITTAL

SUBMITTED TO _____
 COMPANY _____
 JOB NAME _____
 EQUIPMENT _____
 SIGNATURE _____
 DATE _____

ROOF CURBS FOR YORK ROOFTOP UNITS

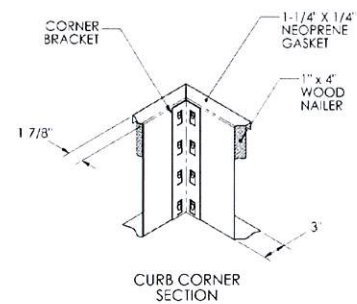
BP, DH, DM, 078-150
 XP, ZF, ZH, ZJ, ZR, 078-150
 ZH, ZJ, ZR 037 & 049 & 061
 DF 078-120
 DR 090-150
 DJ150

PART #		PART #	CURB HEIGHT
CAS	YORK	INSULATED	"A"
1001586	1RCO471	1001842	14"
1004357	1RCO470	1004358	8"
1001538	N/A	1004359	18"
1001831	1RCO476	1004360	24"



FEATURES

- MITERED TOP CORNERS
- ROOF CURB IS FABRICATED OF 18GA G90 GALVANIZED STEEL
- FULL PERIMETER WOOD NAILER
- PRE-PUNCHED ASSEMBLY HOLES AND HARDWARE INCLUDED FOR - DUCT SUPPORT INSTALLATION
- ROOF CURB IS SHIPPED UNASSEMBLED
- * CURBS ARE INTERNALLY INSULATED WITH 1" THICK 1-1/2 LB DENSITY DUCT LINER



Project Name: EVO rock gym

Unit Model #: ZJ300N32L2JZZ20001

Quantity: 1

System: ZJ300N32L2JZZ20001

Cooling Performance

Total capacity	327.5 MBH
Sensible capacity	237.9 MBH
Refrigerant type	R-410A
Efficiency (at ARI)	10.50 EER
Integrated eff. (at ARI)	10.60 IEER
Ambient DB temp.	86.8 °F
Entering DB temp.	80.0 °F
Entering WB temp.	67.0 °F
Leaving DB temp.	58.0 °F
Leaving WB temp.	56.6 °F
Power input (w/o blower)	22.30 kW
Sound power	92 dB(A)

Gas Heating Performance

Entering DB temp.	60 °F
Heating output capacity (Max)	320 MBH
Supply air	10000 CFM
Heating input capacity (Max)	400 MBH
Leaving DB temp.	89.6 °F
Air temp. rise	29.6 °F
SSE	80.0 %
Stages	2

Supply Air Blower Performance

Supply air	10000 CFM
Ext. static pressure	2.0 IWG
Unit static resistance	0.15 IWG
Blower speed	1196 RPM
Max BHP of Motor (including service factor)	17.25 HP
Duct location	Side
Motor rating	15.00 HP
Actual required BHP	12.22 HP
Power input	10.01 kW
Elevation	62 ft.
Drive type	BELT

Electrical Data

Power supply	230-3-60
Unit min circuit ampacity	152.7 Amps
Unit max over-current protection	175 Amps

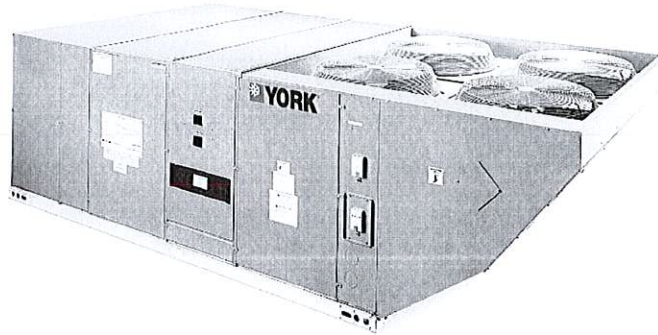
Dimensions & Weight

Hgt	53 in.	Len	181 in.	Wth	92 in.
Weight with factory installed options	3033 lbs.				

Clearances

Right	36 in.	Front	36 in.	Back	49 in.
Top	72 in.	Bottom	0 in.	Left	36 in.

Note: Please refer to the tech guide for listed maximum static pressures



25 Ton

- York Sunline Units are Manufactured at an ISO 9001 Registered Facility and Each Rooftop is Completely Computer-Run Tested Prior to Shipment.

Unit Features

- Unit Cabinet Constructed of Powder Painted Steel, Certified At 1000 Hours Salt Spray Test (ASTM B-117 Standards).
- Through-the-Curb and Through-The-Base Utility Connections
- Either Supply and/or Return can be Field Converted from Vertical to Horizontal Configuration without Cutting Panels
- Full Perimeter Base Rails with Built in Rigging Capabilities
- Galvanized Steel Drain Pan
- Four Independent Refrigerant Circuits for Efficient Part Load Operation with Scroll Compressors
- Four Stage Cooling
- Solid Core Liquid Line Filter Driers
- 320 MBH Output Aluminized Steel, Two Stage Gas Heat
- 15 HP High Static Belt Drive Blower
- Unit Ships with 2" Throwaway Filters with a Standard Filter Rack That Will Accept up to 4" Filters
- Single Point Power Connection
- HACR Circuit Breaker/Disconnect (Sized for 208 Volts)
- Non Powered Convenience Outlet (110 VAC)
- Supply Air Smoke Detector
- Dry Bulb Low Leak Economizer with Hood (No Barometric Relief Damper or Hood)
- Short Circuit Current: 5kA RMS Symmetrical

Standard Unit Controller: Simplicity Control Board

- An Integrated Low-Ambient Control, Anti-Short Cycle Protection, Lead-Lag, Fan on and Fan off Delays, Low Voltage Protection, On-Board Diagnostic and Fault Code Display.
- Safety Monitoring - Monitors the High and Low-Pressure Switches, the Freezestats, the Gas Valve, if Applicable, and the Temperature Limit Switch on Gas and Electric Heat Units. The Unit Control Board will Alarm on Ignition Failures, Safety Lockouts and Repeated Limit Switch Trips.

BAS Controller

- IntelliSpeed VFD Supply Fan Operation Factory Configured
- Simplicity Intelli-Comfort II Controller (Modbus RTU Protocol) - Pre Configured for Space Sensor Control - Includes Supply Air, Return Air, Outside Air Temp Sensors, and Air Proving Switch

Warranty

- One (1) Year Limited Warranty on the Complete Unit
- Five (5) Year Warranty - Compressors and Electric Heater Elements
- Ten (10) Year Warranty - Aluminized Steel Tubular Heat Exchangers



Large Sunline

Single Package R-410A Air Conditioner

Project Name: EVO rock gym

Unit Model #: ZJ300N32L2JZZ20001

Quantity: 1

System: ZJ300N32L2JZZ20001

Factory Installed Options

ZJ300N32L2JZZ20001

Product Category:	Z	York Large Sunline Single Packaged R-410A Air Conditioner
Product Identifier:	J	10.5 EER / 10.6 IEER
Nominal Cooling Capacity:	300	25 Ton Four Stage Cooling
Heat Type and Nominal Heat Capacity:	N32	320 MBH Output Aluminized Steel, Two Stage Gas Heat
Airflow:	L	Dry Bulb Low Leak Economizer with Hood (No Barometric Relief Damper or Hood) 15 HP High Static Belt Drive Blower 2" Throwaway Filters
Voltage:	2	208/230-3-60
Installation Options:	J	Supply Air Smoke Detector Non Powered Convenience Outlet (110 VAC) HACR Circuit Breaker/Disconnect (Sized for 208 Volts)
Additional Options:	ZZ	Galvanized Steel Drain Pan IntelliSpeed Control with VFD Simplicity® Intelli-Comfort II Controller (Modbus RTU Protocol) - Pre Configured for Space Sensor Control
Product Generation:	2	

Field Installed Accessories

- 1LD0435 - High Speed Drive Kit (11.0 lbs)
- 1000196 - Roof Curb - 24" High, Flat, Uninsulated, Full Perimeter (Shipped Knocked Down) (135.0 lbs)
- 1WS0404 - Wood Skid - Allows unit to be handled with 90 inch forks (210.0 lbs)
- 2AQ04700424C - CO2 Control Kit - Unit Mounted with Mounting Hardware (5.0 lbs)
- S1-02546381000 - Dual Enthalpy Control - For Economizers equipped with Honeywell Jade Control Only. (0.2 lbs)



Large Sunline

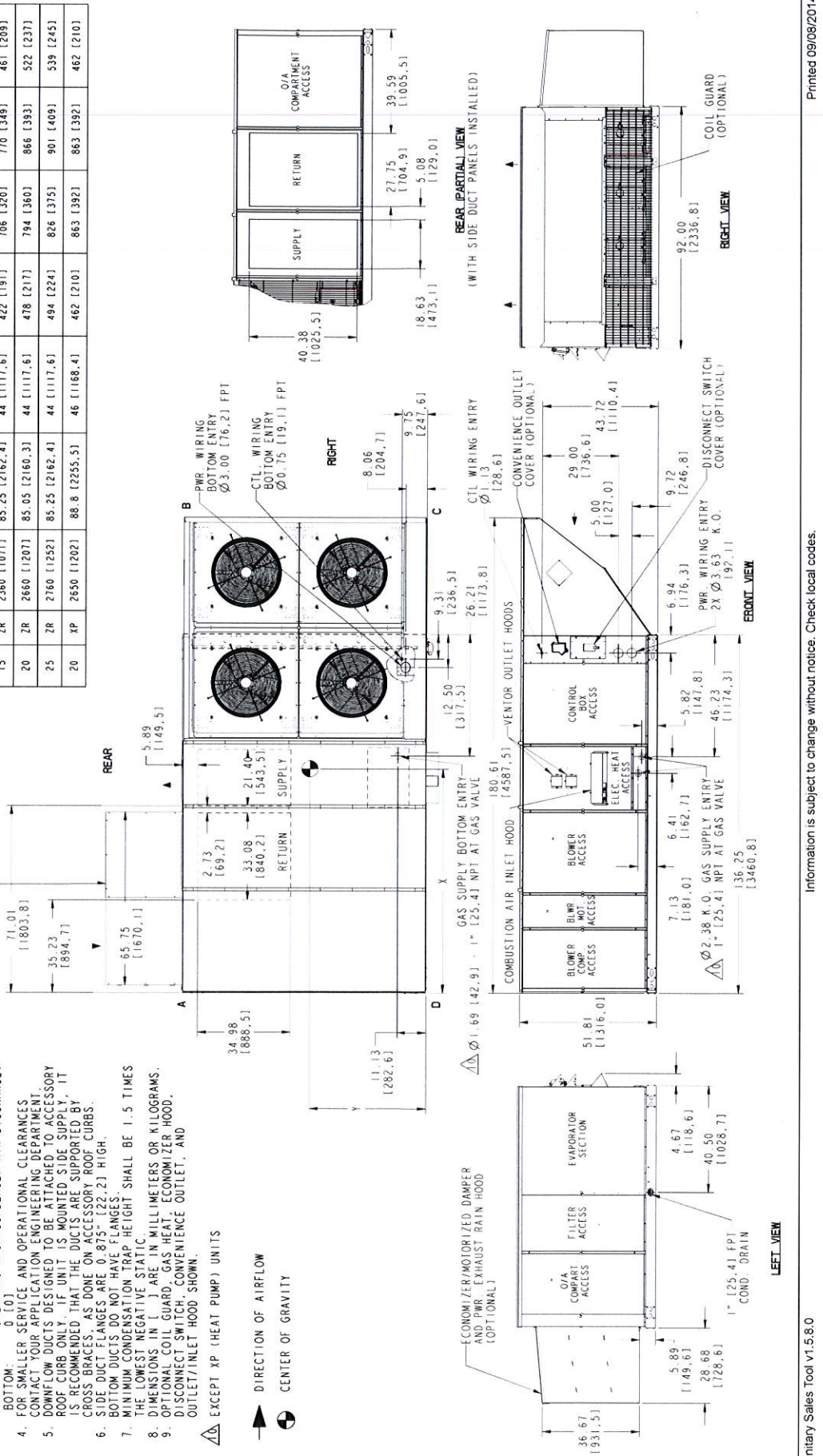
Single Package R-410A Air Conditioner

Project Name: EVO rock gym
 Quantity: 1
 Unit Model #: ZJ300N32L2JZZ20001
 System: ZJ300N32L2JZZ20001

Consolidated Drawing

TONNAGE	U I	N T	OPERATING WEIGHT (LBS.) (BASE UNIT)	CENTER OF GRAVITY LOCATION (BASE UNIT)				4 POINT CORNER LOADS (LBS.) (BASE UNIT)			
				X	Y	A	B	C	D		
15	ZJ	2609	[1183]	85.25 [2162.4]	44 [1117.6]	467 [212]	781 [354]	852 [387]	510 [231]		
17.5	ZJ	2685	[1209]	85.25 [2162.4]	44 [1117.6]	477 [216]	797 [362]	870 [395]	520 [238]		
20	ZJ	2697	[1223]	85.05 [2160.3]	44 [1117.6]	485 [220]	805 [365]	878 [398]	529 [240]		
25	ZJ	2783	[1262]	85.25 [2162.4]	44 [1117.6]	498 [226]	833 [378]	908 [412]	544 [247]		
15	ZR	2360	[1071]	85.25 [2162.4]	44 [1117.6]	422 [191]	706 [320]	770 [349]	461 [209]		
20	ZR	2660	[1207]	85.05 [2160.3]	44 [1117.6]	478 [217]	794 [360]	866 [393]	522 [237]		
25	ZR	2760	[1252]	85.25 [2162.4]	44 [1117.6]	494 [224]	826 [375]	901 [409]	539 [245]		
20	XP	2650	[1202]	88.8 [2255.5]	46 [1168.4]	462 [210]	863 [392]	863 [392]	462 [210]		

- NOTES:
- FOR OUTDOOR USE ONLY.
 - WEIGHTS SHOWN ARE FOR COOLING ONLY UNITS.
 - MIN CLEARANCES TO BE:
- RIGHT SIDE: 36 [914.4]
 LEFT SIDE: 24 [609.6] (LESS ECONOMIZER)
 FRONT: 36 [914.4]
 REAR: 24 [609.6] (LESS ECONOMIZER)
 TOP: 49 [1244.6] (WITH ECONOMIZER)
 72 [1828.8] WITH 36 [914.4] MAX. HORIZ. OVERHANG (FOR CONDENSER AIR DISCHARGE)
- BOTTOM: 0 [0]
- FOR SMALLER SERVICE AND OPERATIONAL CLEARANCES CONTACT YOUR APPLICATION ENGINEERING DEPARTMENT.
 - DOWNFLOW DUCTS DESIGNED TO BE ATTACHED TO ACCESSORY ROOF CURB ONLY. IF UNIT IS MOUNTED SIDE SUPPLY, IT IS RECOMMENDED THAT THE DUCTS ARE SUPPORTED BY CROSS BRACES. AS DONE ON ACCESSORY ROOF CURBS.
 - SIDE DUCT FLANGES ARE 0.875" [22.2] HIGH.
 - BOTTOM DUCTS DO NOT HAVE FLANGES.
 - MINIMUM CONDENSATION TRAP HEIGHT SHALL BE 1.5 TIMES THE LOWEST NEGATIVE STATIC.
 - DIMENSIONS IN [] ARE IN MILLIMETERS OR KILOGRAMS.
 - OPTIONAL COIL GUARD, GAS HEAT, ECONOMIZER HOOD, DISCONNECT SWITCH, CONVENIENCE OUTLET, AND OUTLET/INLET HOOD SHOWN.
- ▲ EXCEPT AP (HEAT PUMP) UNITS



Cambridgeport

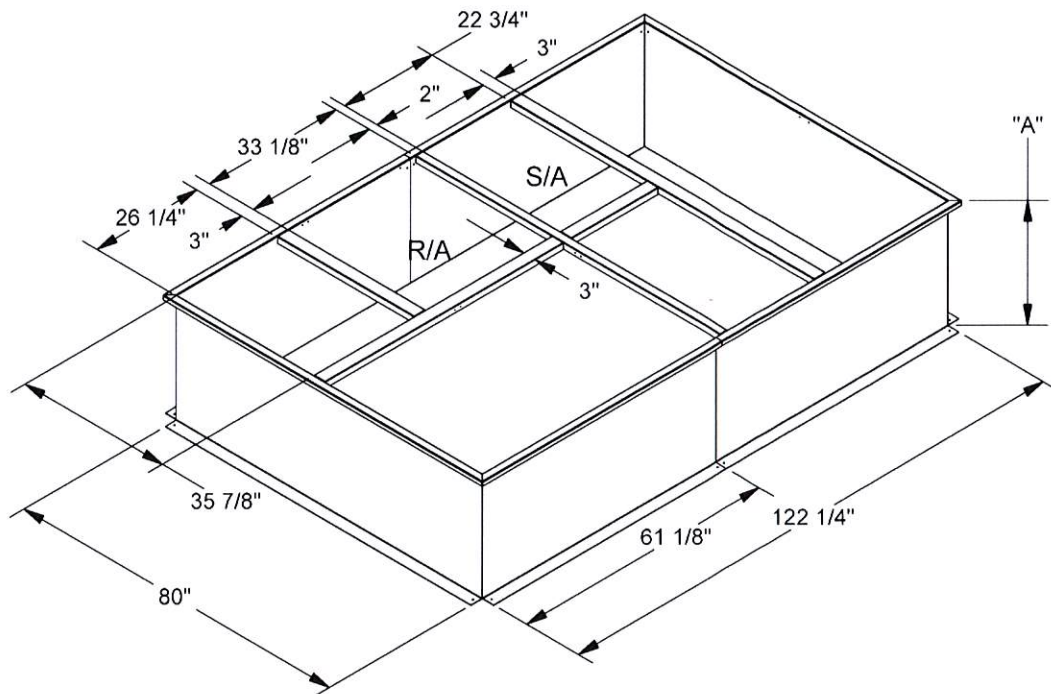
SUBMITTAL

SUBMITTED TO _____
 COMPANY _____
 JOB NAME _____
 EQUIPMENT _____
 SIGNATURE _____
 DATE _____

ROOF CURBS FOR YORK ROOFTOP UNITS

DM, DCE, DCG, DCV 240-300
 BP, BQ, BCH, DEG, DEE 240
 DJ, DR, WJ, WR, ZJ, ZR 180-300
 DH, DM, ZF 210 300
 XP 180-240

PART #		PART #	CURB HEIGHT
CAS	YORK	INSULATED	"A"
1000007	1RCO437	1000800	14"
1004366	N/A	1004367	8"
1001569	N/A	1004368	18"
1000196	1RCO478	1004369	24"



FEATURES

- MITERED TOP CORNERS
- ROOF CURB IS FABRICATED OF 18GA G90 GALVANIZED STEEL
- FULL PERIMETER WOOD NAILER
- PRE-PUNCHED ASSEMBLY HOLES AND HARDWARE INCLUDED FOR - DUCT SUPPORT INSTALLATION
- ROOF CURB IS SHIPPED UNASSEMBLED
- * CURBS ARE INTERNALLY INSULATED WITH 1" THICK 1-1/2 LB DENSITY DUCT LINER

