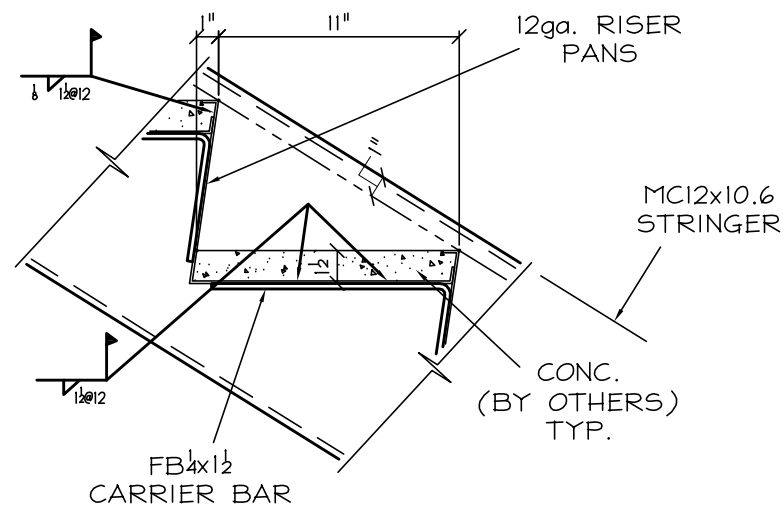
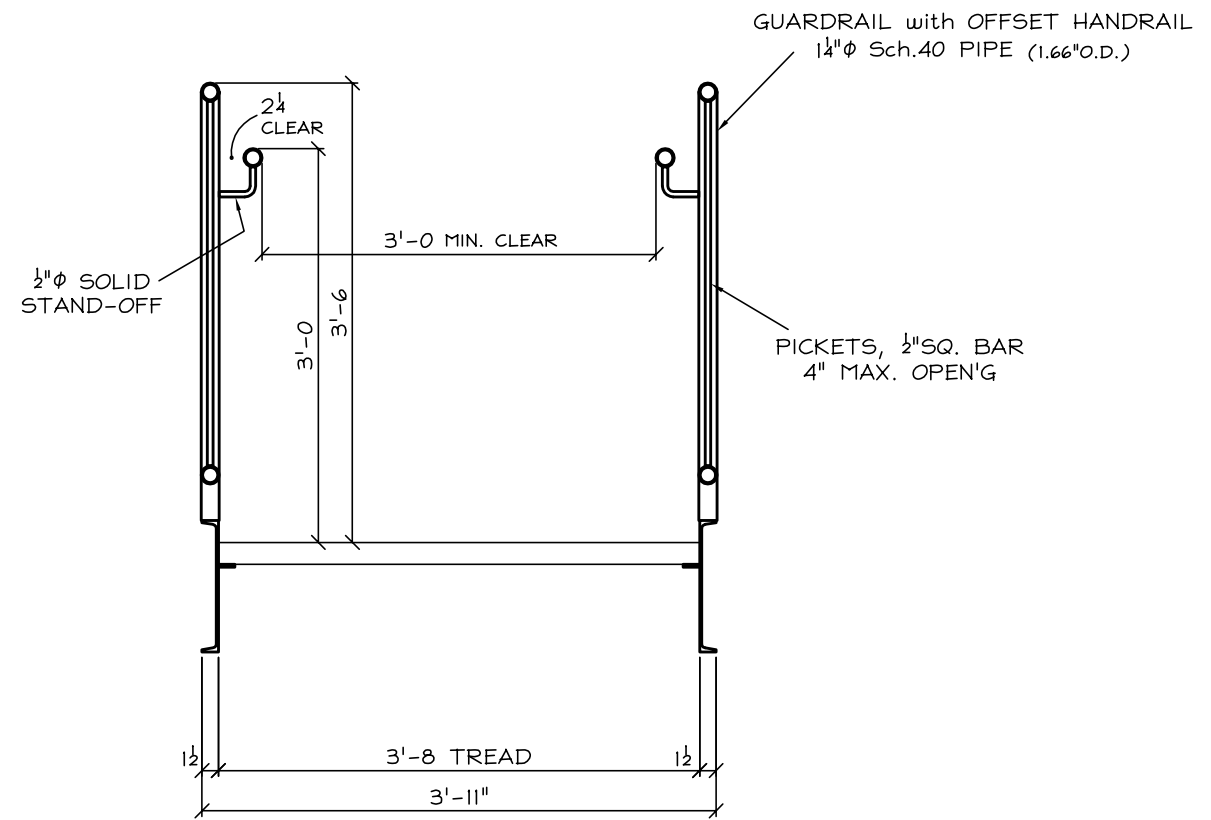


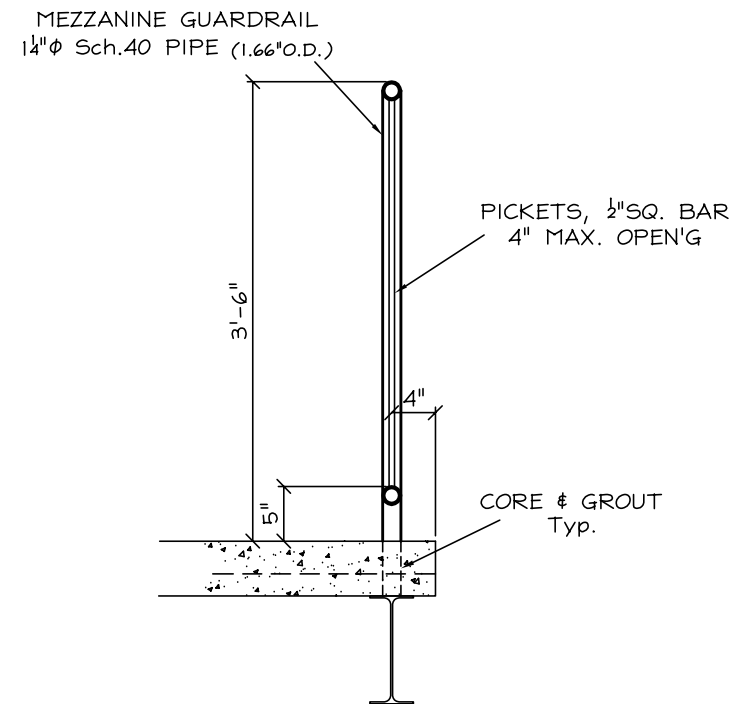
**DETAIL: BASE of STAIR**



**TREAD DETAIL**



**SECTION: at STAIR**



**SECTION: at MEZZ. GUARD**

REV	DATE	DESCRIPTION
BOLTS: 3/4" $\phi$ A325 U.N.O.		MATERIAL: A36, A53 Gr.B U.N.O.
HOLES: 5/8" $\phi$ U.N.O.		PAINT: SHOP PRIME GREY
JOB: EVOLUTION ROCK + FITNESS		
LOCATION: 65 WARREN AVE. PORTLAND, ME		
ARCHITECT: HILARY HARRIS		
CUSTOMER: FLYNN CONSTRUCTION CORP.		
		8 Christine Drive Hudson, NH 03051 PH.(603)886-3436 FAX.(603)881-9953 www.slchassesteelfab.com
DRAWN BY: TK	DATE: 6-5-14	CHECKED BY: - DATE: -
DESCRIPTION: STAIR, HANDRAIL & GUARDRAIL DETAILS		
JOB NO: 14-129	SCALE: NTS	DRAWING NO: SKI