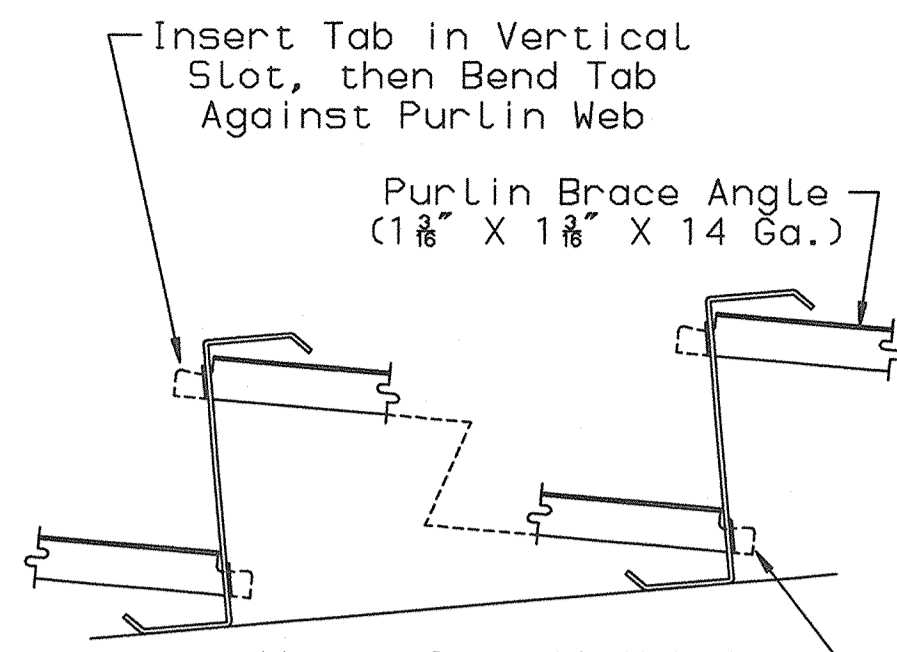
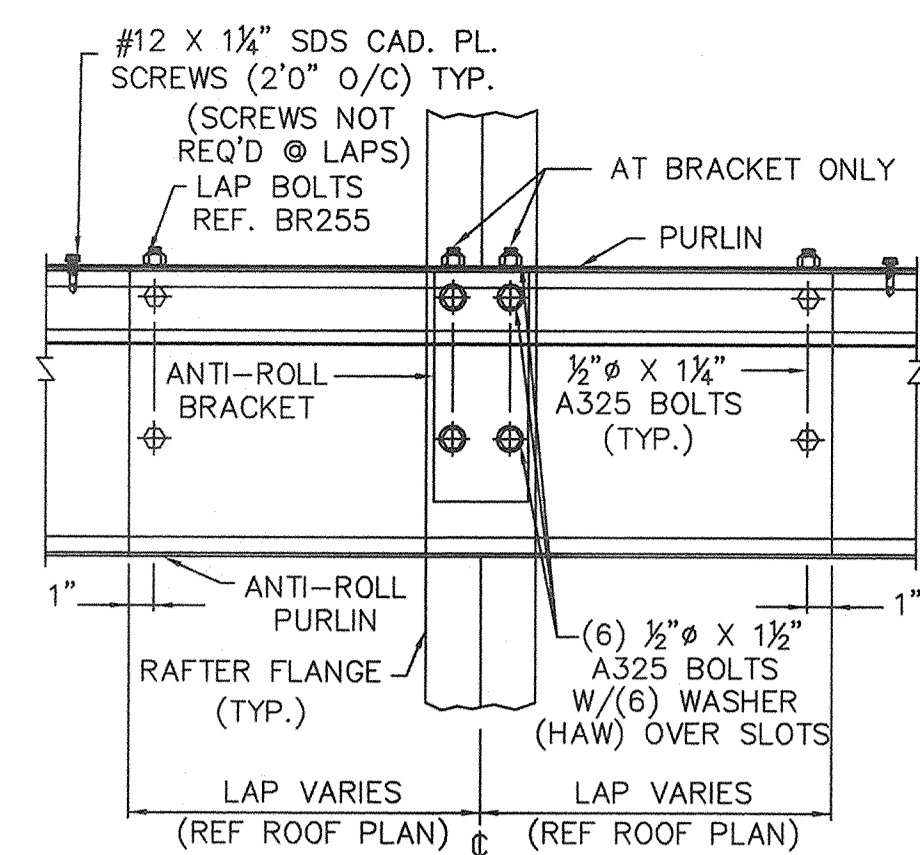
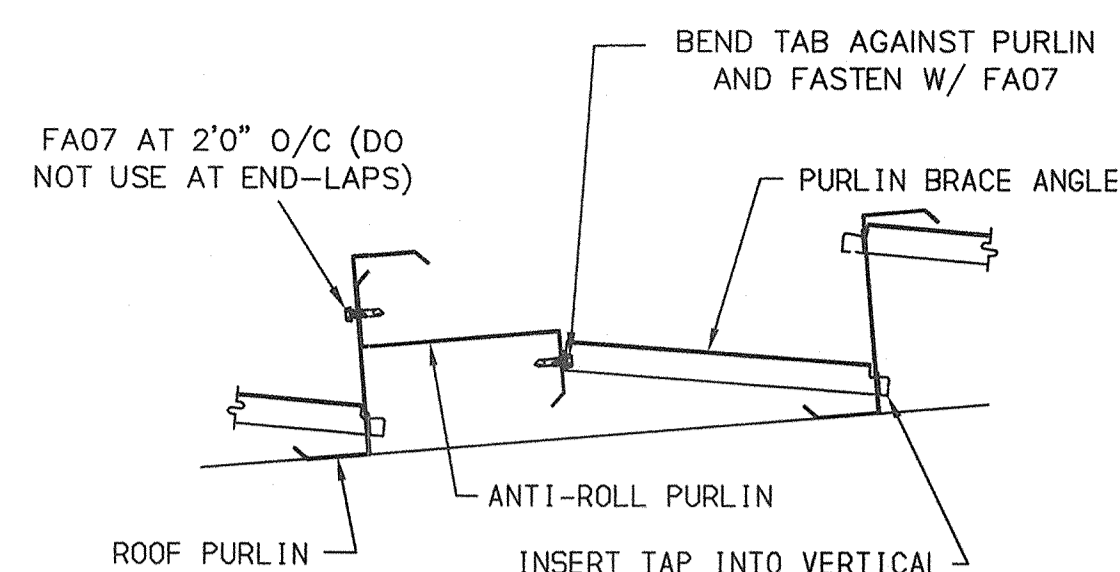


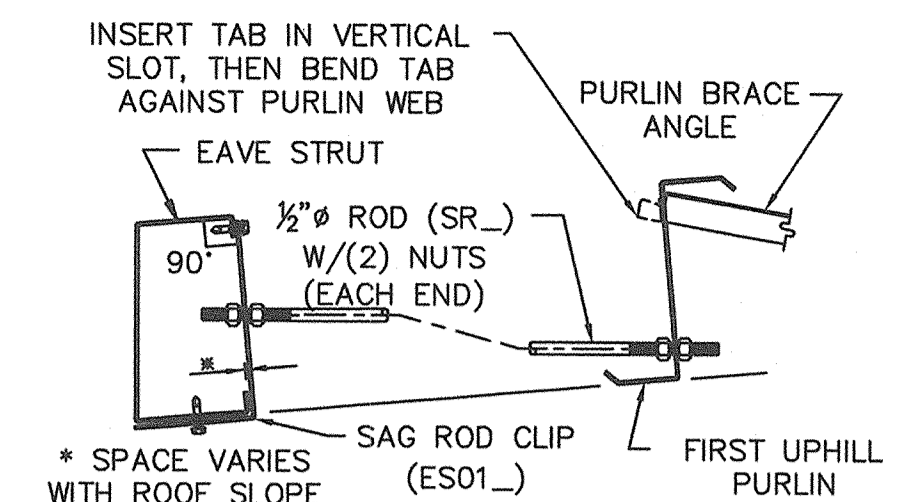
*-SEE ROOF PLAN FOR LOCATIONS
 **-LAP OCCURS OFF THE FRAME CL. REF. ROOF PLAN FOR PURLIN LAPS.



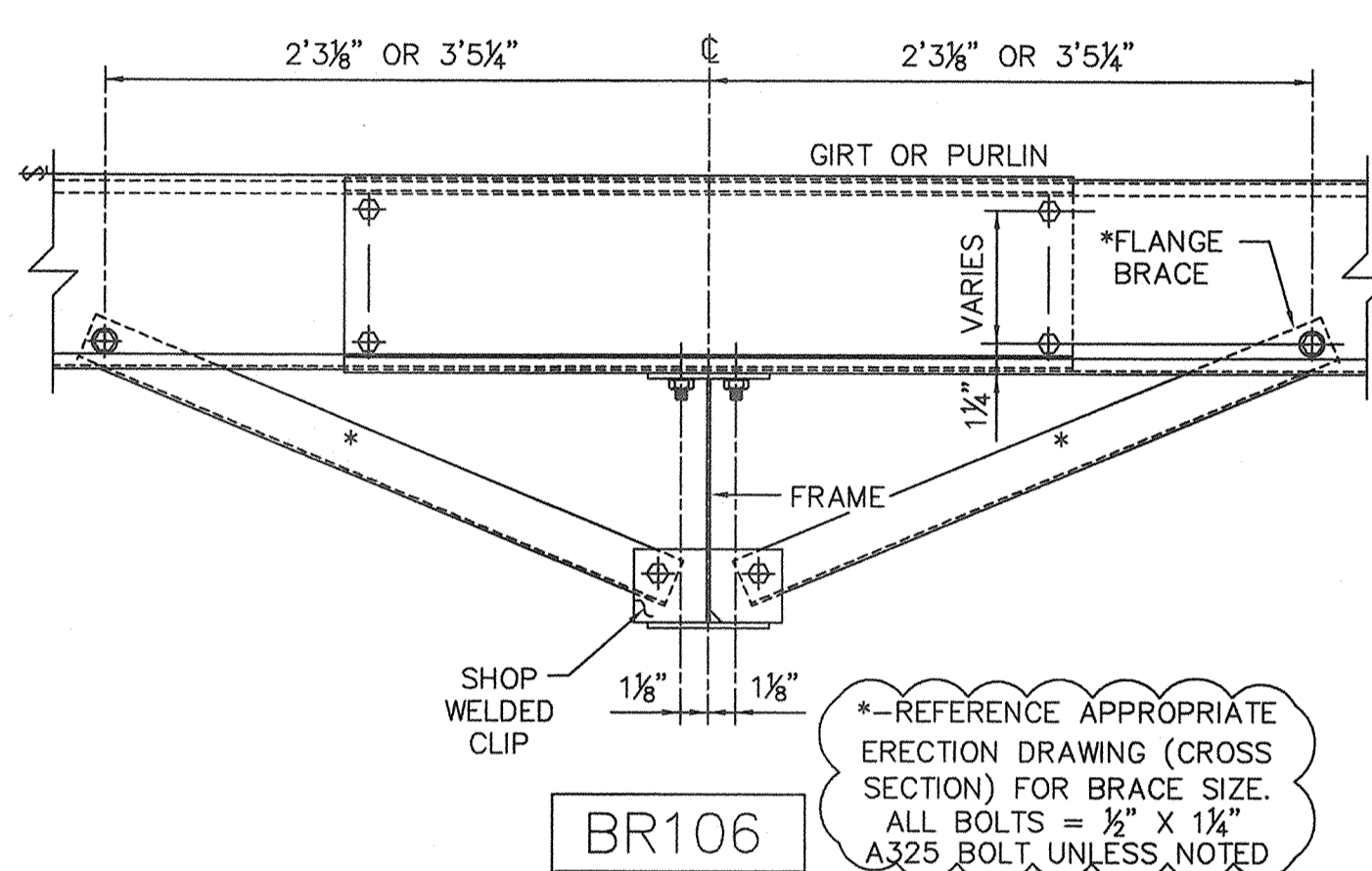
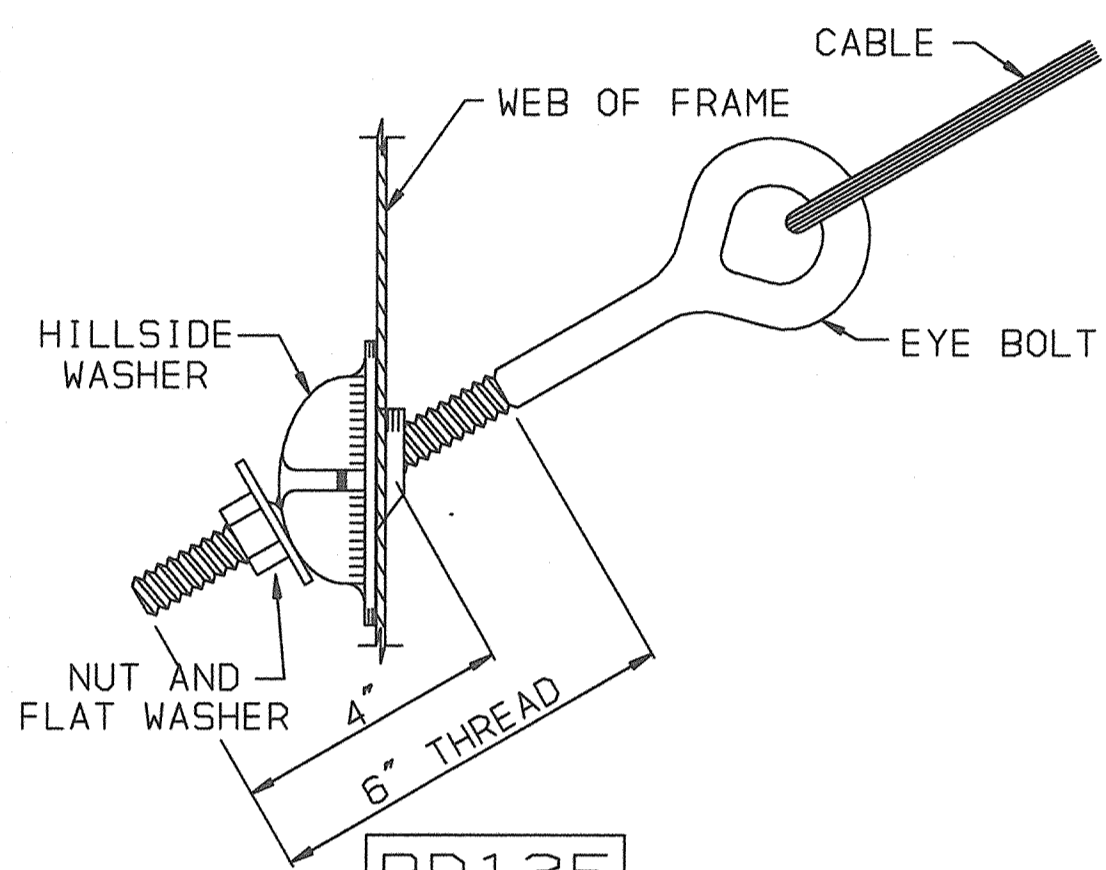
Always Install Uphill End of Purlin Brace in Lower Purlin Web Slot
 See Roof Plan for Locations and Pc-Mks



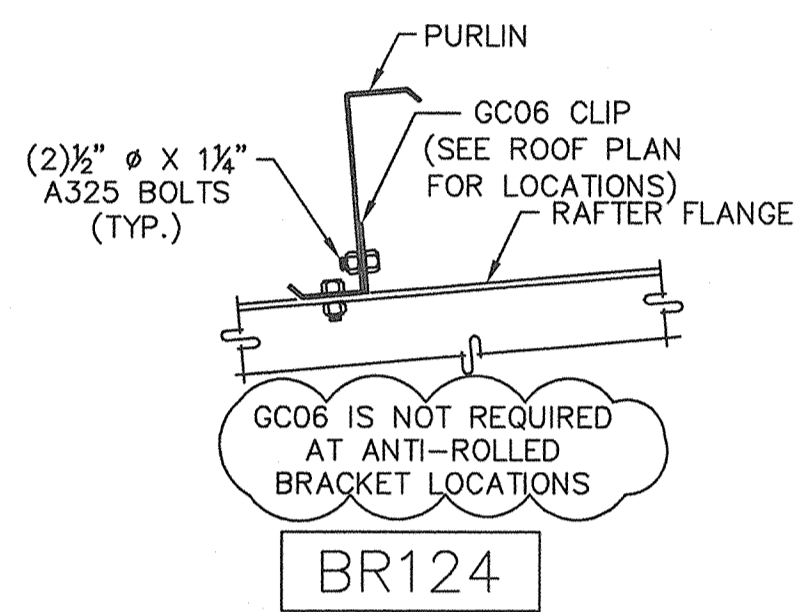
SEE ROOF PLAN FOR LOCATIONS AND PC-MKS
 SEE "BR256 OR BR257" FOR ADDITIONAL CONNECTION REQUIREMENTS



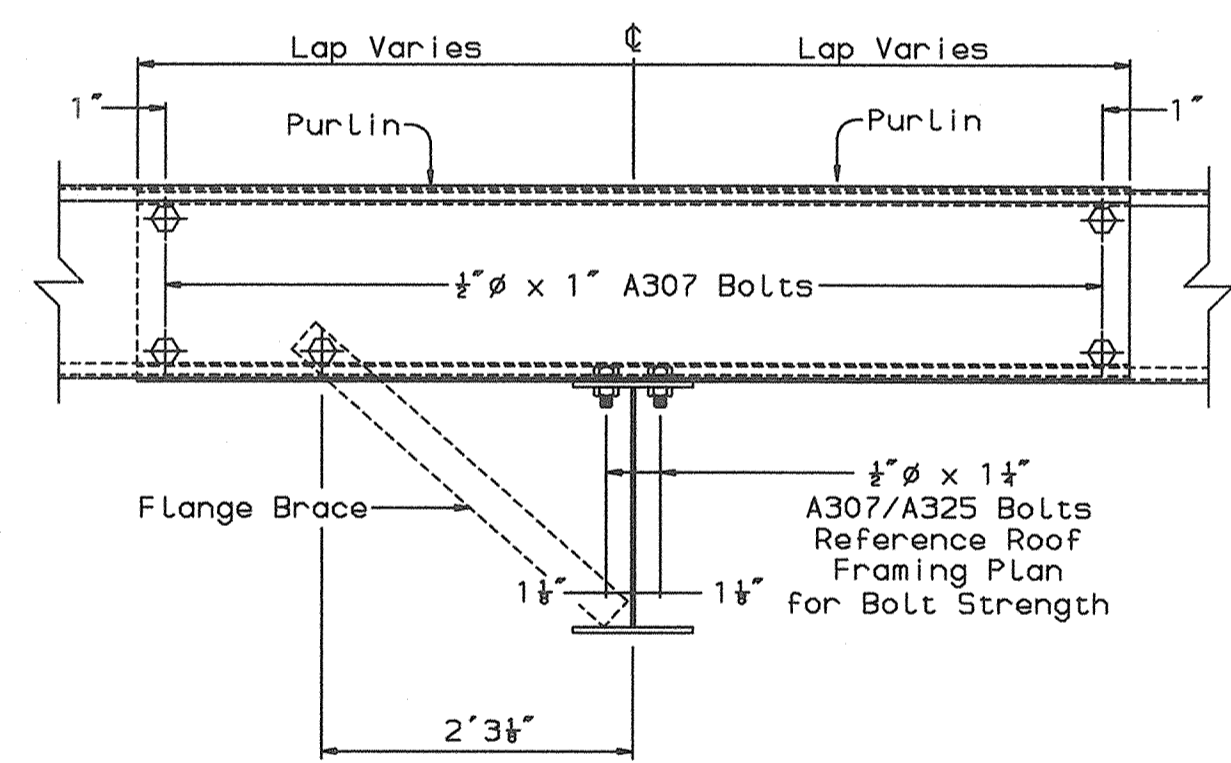
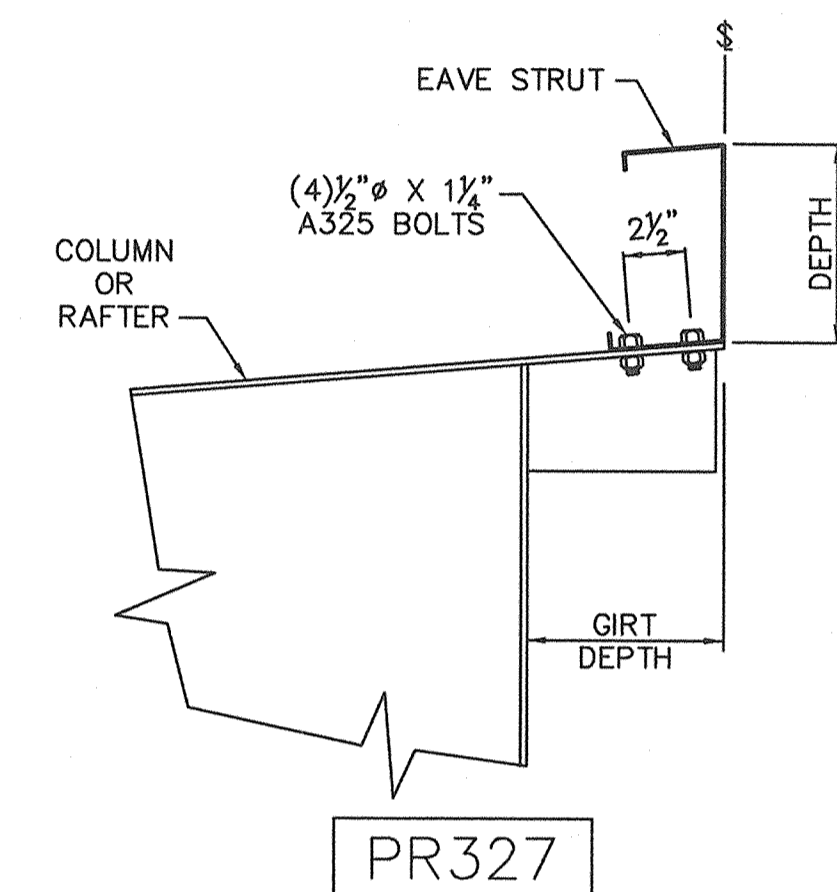
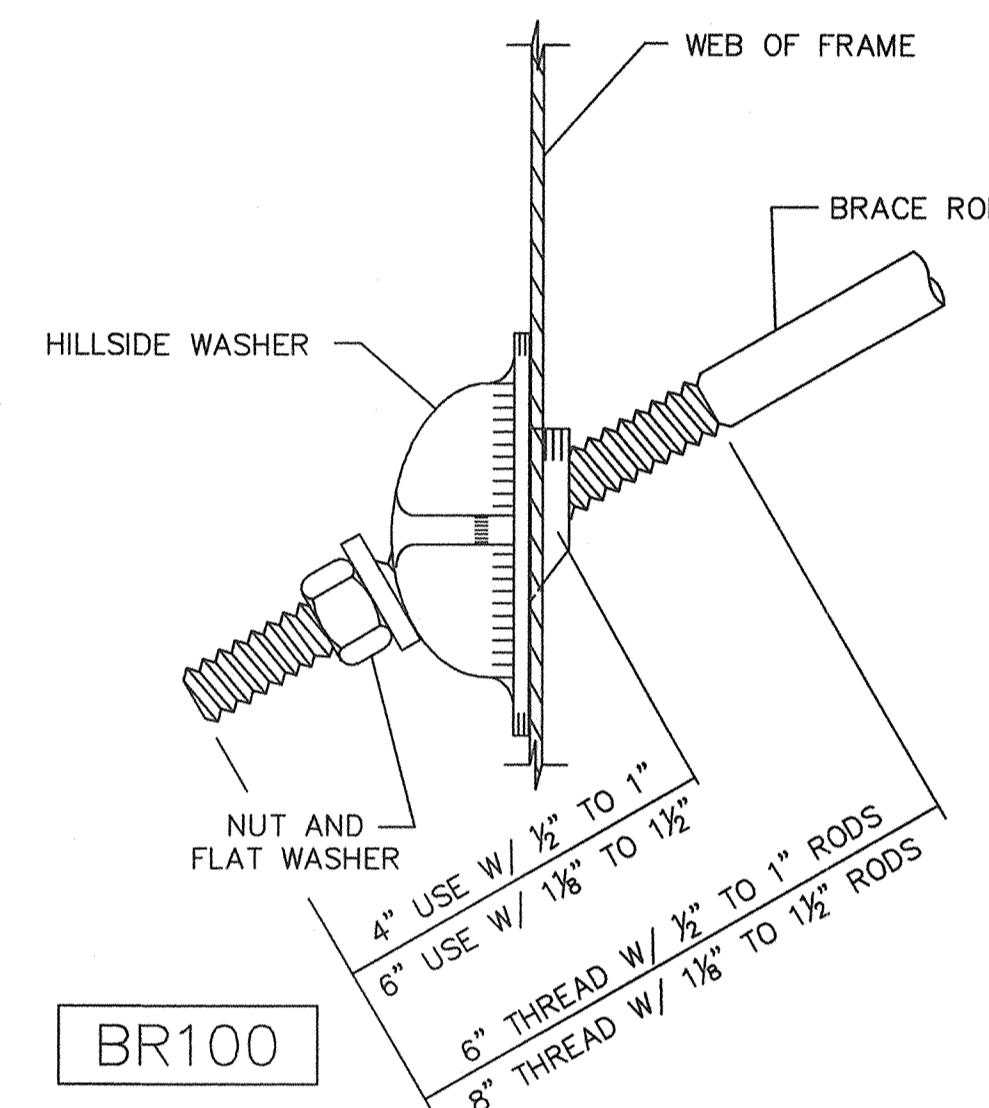
NOTE: ATTACH 'ES' ROD CLIP W/ (2) #12 X 1/4" SDS W/O WASHER CAD PL. FASTENERS. SEE ROOF PLAN FOR LOCATIONS AND PC-MKS
 AT LOW SIDE ONLY



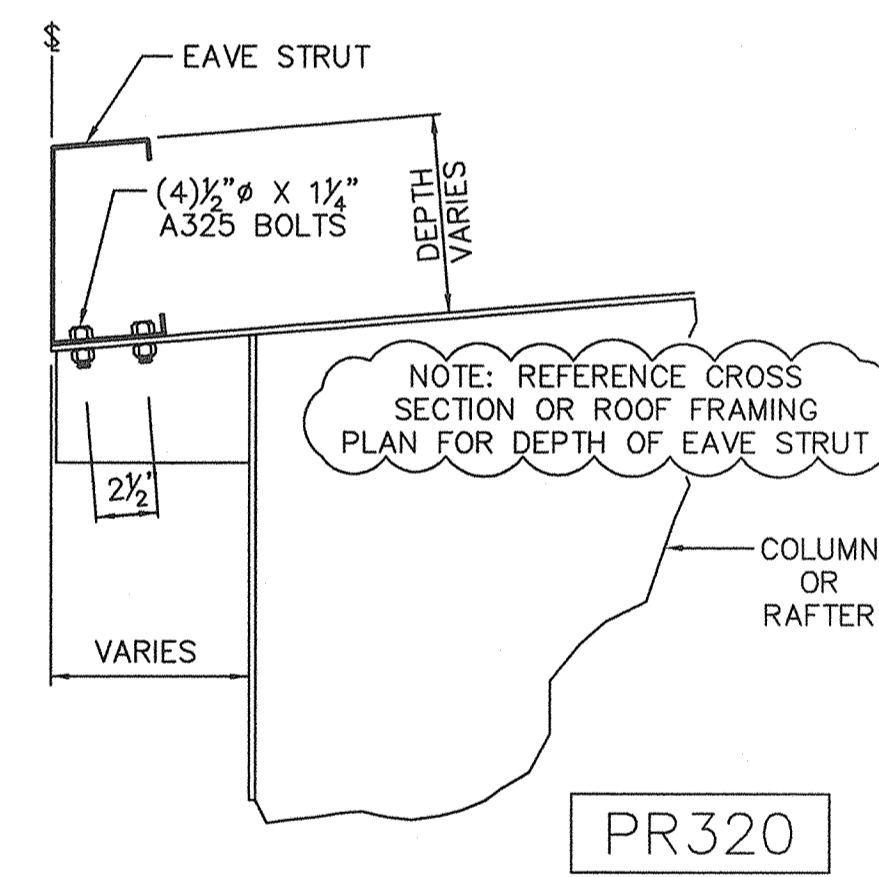
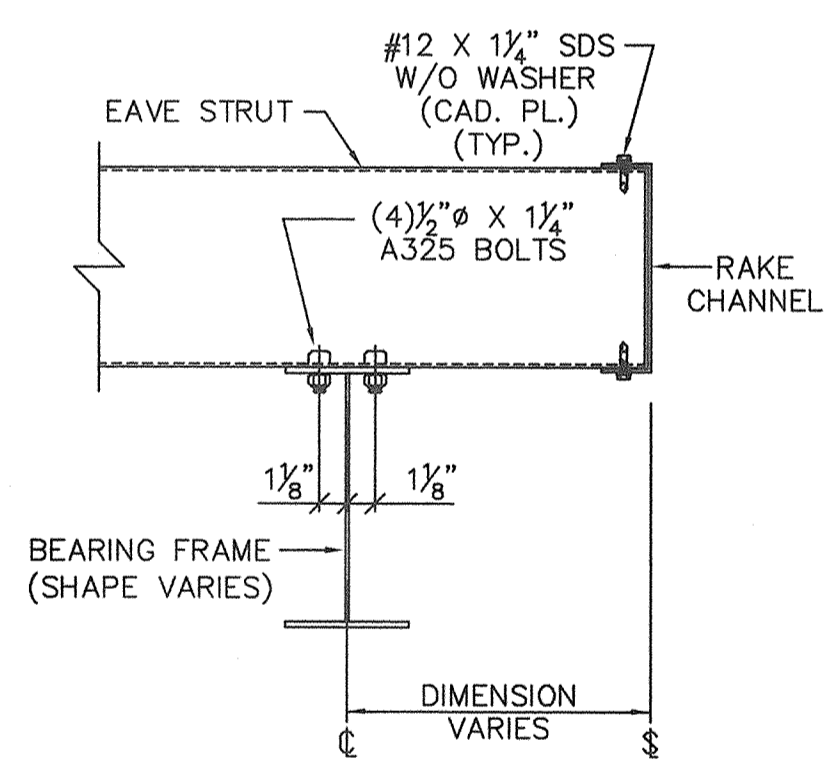
*-REFERENCE APPROPRIATE ERECTION DRAWING (CROSS SECTION) FOR BRACE SIZE. ALL BOLTS = 1/2" X 1/4" A325 BOLT UNLESS NOTED



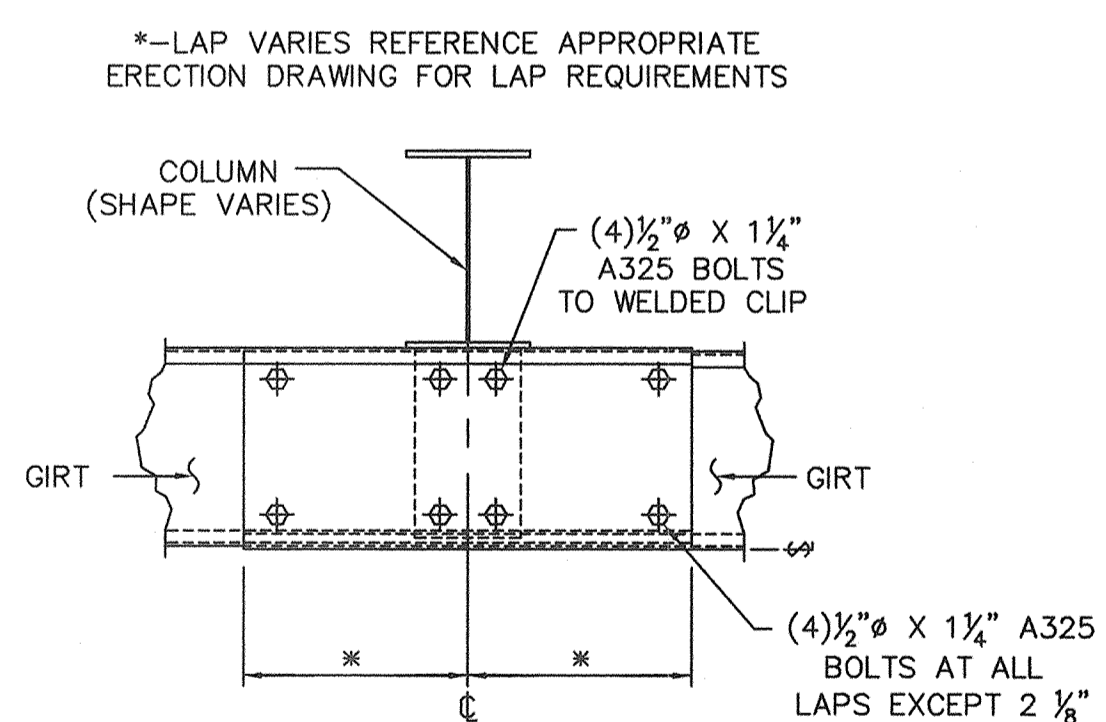
GC06 IS NOT REQUIRED AT ANTI-ROLLED BRACKET LOCATIONS



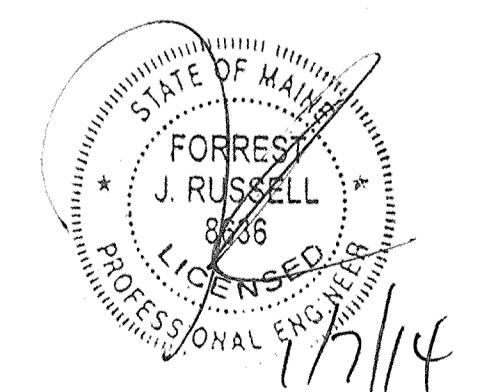
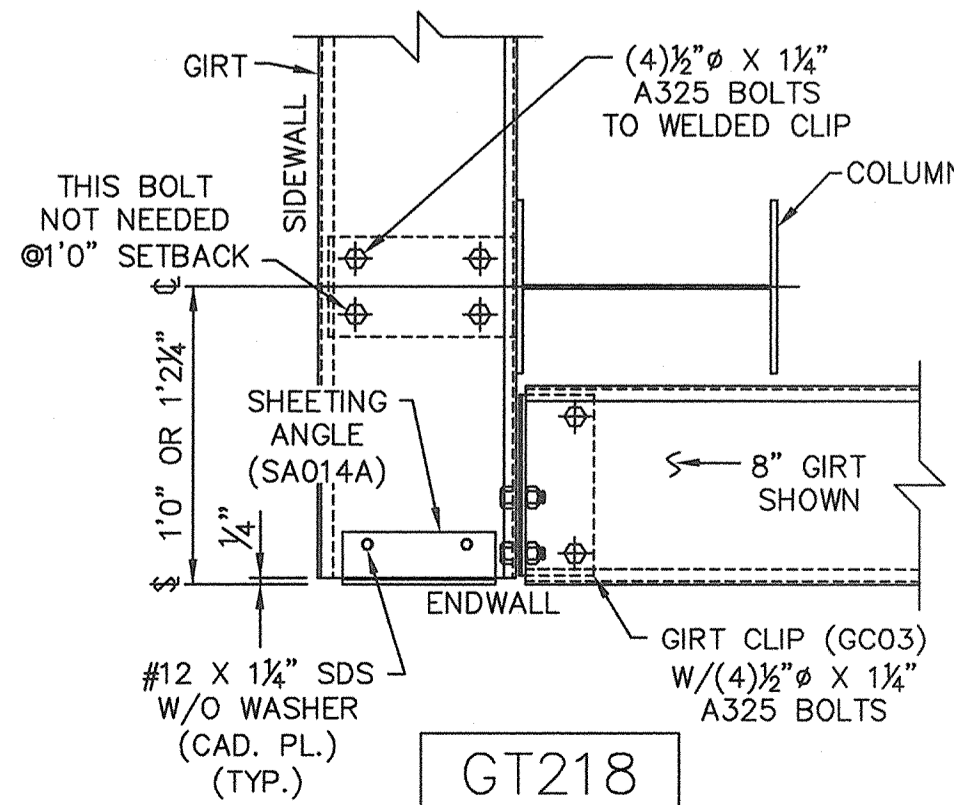
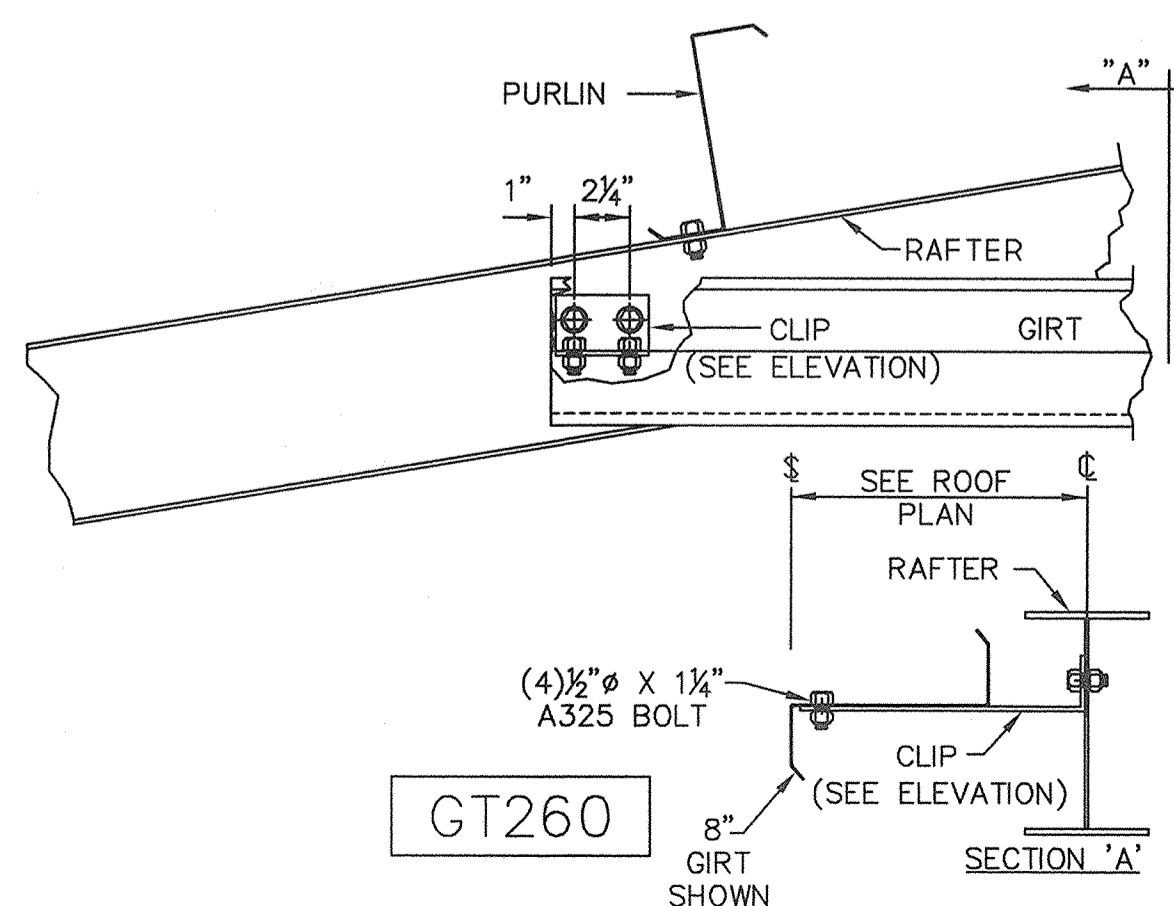
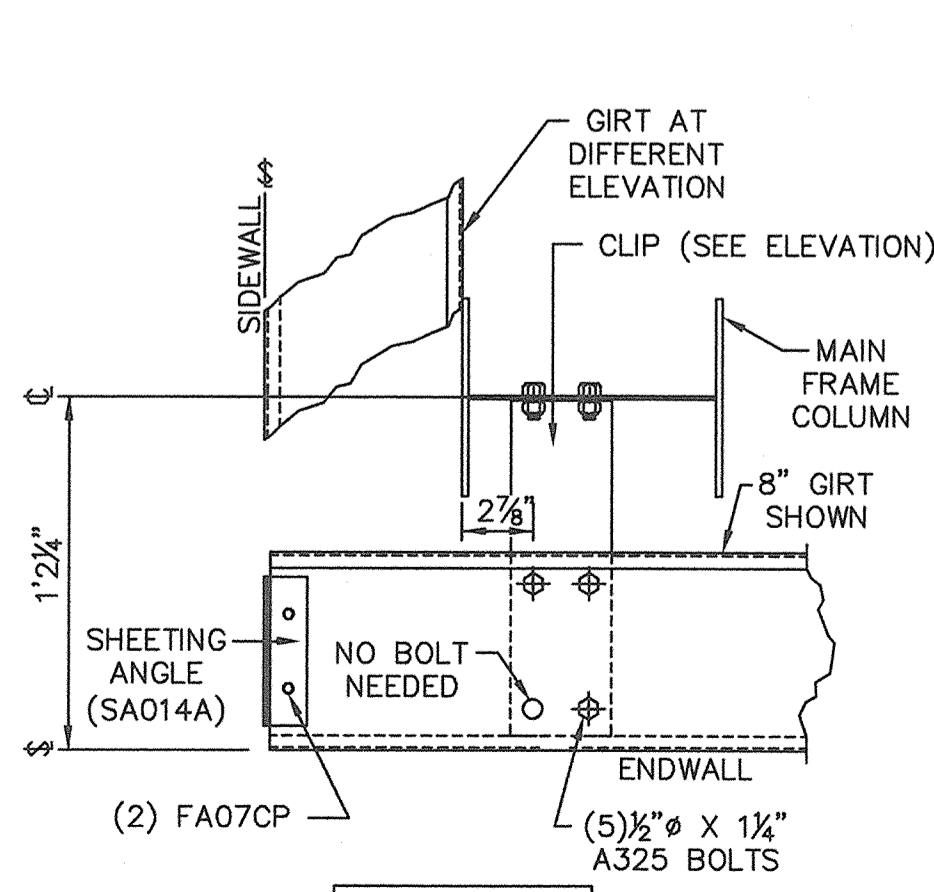
Reference Roof Framing Plan for Purlin Laps. If a Flange Brace is Required at a Purlin with a 2'4" Lap, Use One 1/2" Bolt For Lap and Flange Brace Connection. If Flange Braces Require A325 Bolts (Reference Frame Cross Section) Use 1/2" x 1/4" A325 Bolts at Both Ends of Flange Brace.



NOTE: REFERENCE CROSS SECTION OR ROOF FRAMING PLAN FOR DEPTH OF EAVE STRUT



*-LAP VARIES REFERENCE APPROPRIATE ERECTION DRAWING FOR LAP REQUIREMENTS



CERTIFICATION EXTENDS ONLY FOR THE LOADS SPECIFIED ON KIRBY'S PURCHASE ORDER AS APPLIED TO THE STRUCTURAL COMPONENTS OF THE BUILDING DESIGNED AND SUPPLIED BY KIRBY BUILDING SYSTEMS, IF ERECTED AS INDICATED. NOTE THAT KIRBY'S ENGINEER IS NOT ACTING AS THE ENGINEER OF RECORD FOR THIS CONSTRUCTION PROJECT.

| ISSUE | DESCRIPTION | BY | DATE |
|-------|-------------|-----|----------|
| A | APPROVAL | JLA | 12-23-13 |

Kirby Building Systems
 A Nucor Company
 KIRBY BUILDING SYSTEMS • 124 KIRBY DRIVE • PORTLAND, TN 37149
 TITLE: ERECTION DETAILS DRN. BY:
 BUILDER: FLYNN CONSTRUCTION DATE:
 CUSTOMER: EVOLUTION ROCK CKD. BY:
 LOCATION: PORTLAND, ME DATE:
 ID NUMBER: K13B0648BR1 MBS JOB NO: K13B0648A DWG. NO. 01 OF 3