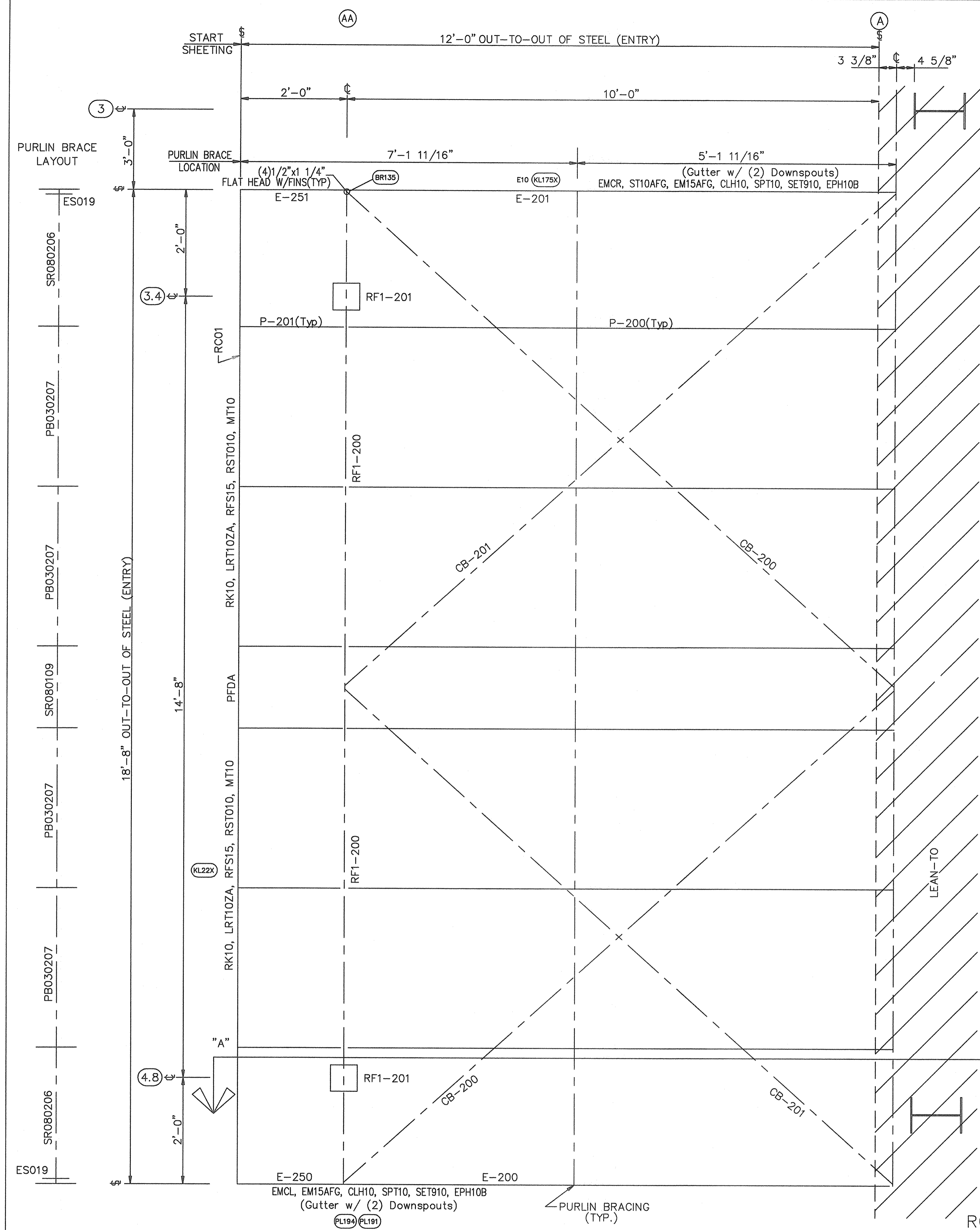
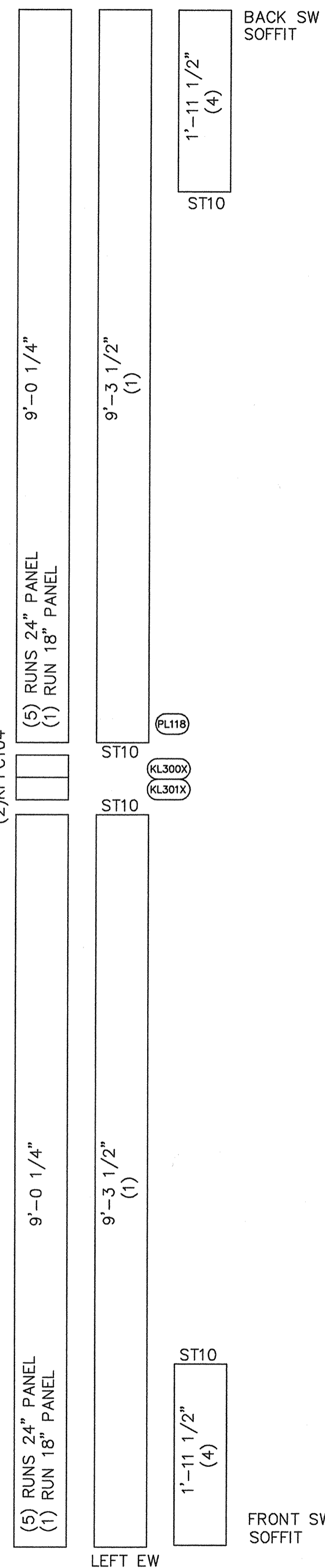


QUAN	MARK	PART
6	P-200	952067
1	E-200	952067
1	E-201	95E075
2	CB-200	CB08
2	CB-201	CB08
1	E-250	95E075
1	E-251	95E075

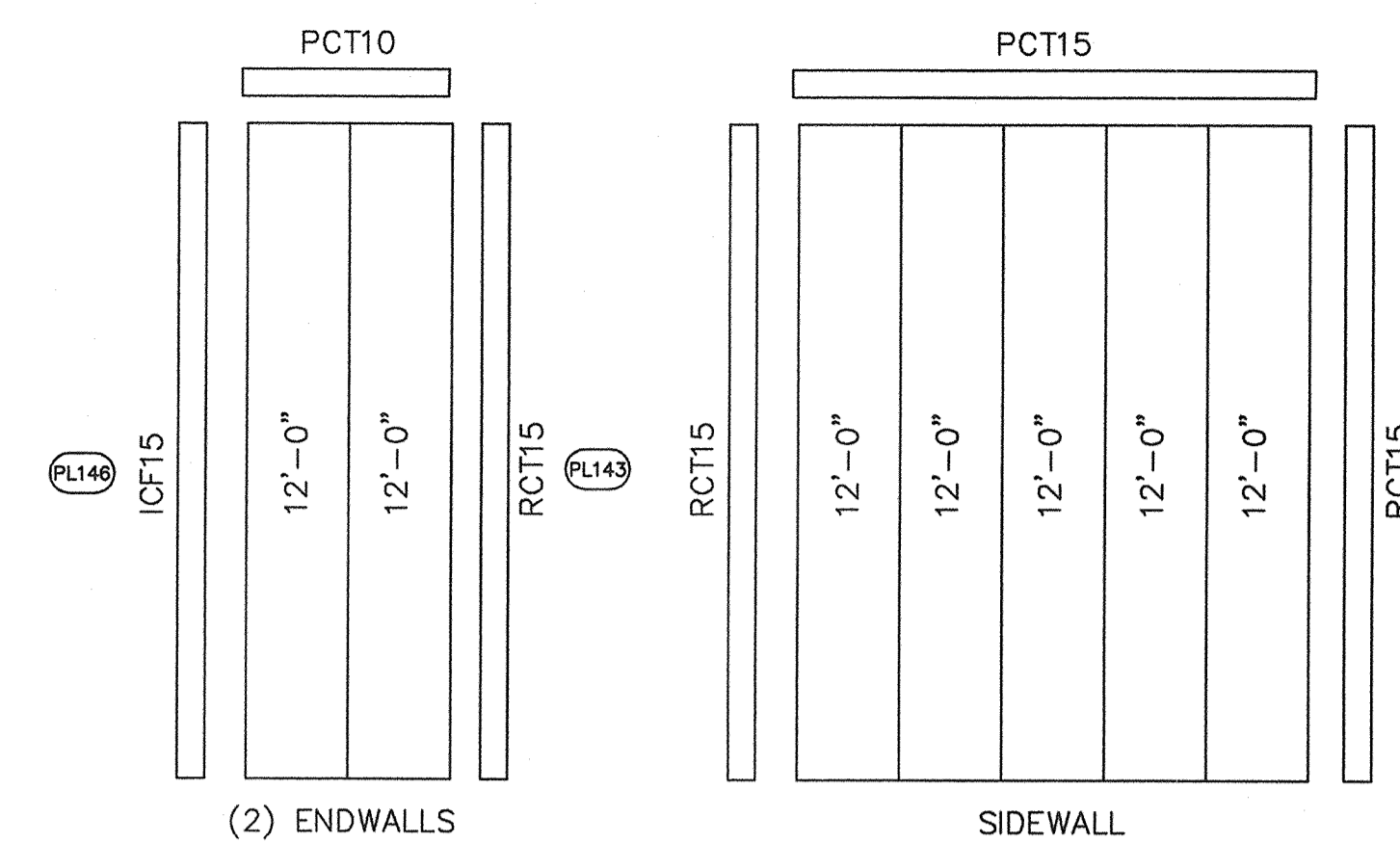


**ROOF FRAMING PLAN**  
TRIM: 26 Ga. - FOX GRAY

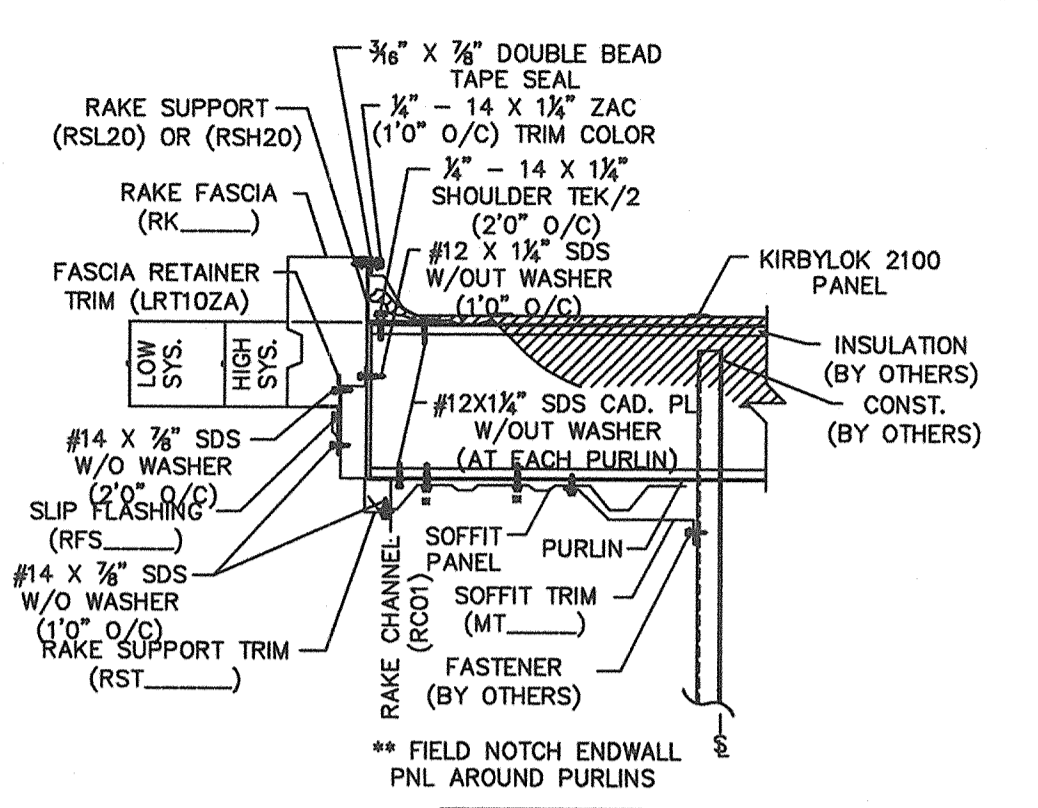
**SOFFIT SHEETING**  
PANELS: 26 Ga. KR2 - FOX GRAY



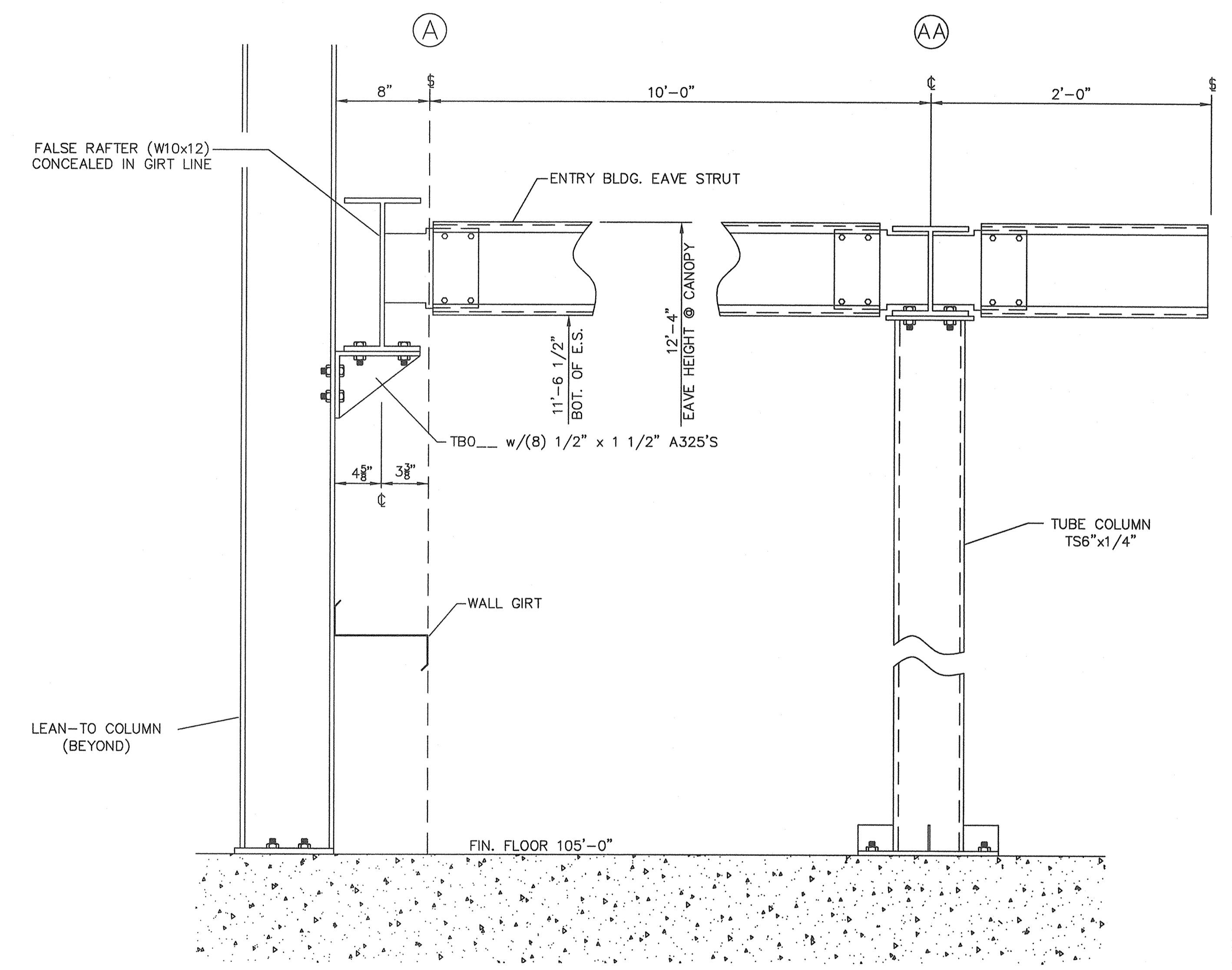
**ROOF SHEETING**  
PANELS: 24 Ga. KLM - Zinc-Aluminum



**AIRLOCK SHEETING**  
PANELS: 26 Ga. KR2 - COLOR=FOX GRAY



**KL22X**



**SECTION "A"**

**FRAME LINES 3.4 & 4.8**

- GENERAL NOTES:**
- USE 1/2" DIA. X 1 1/4" A325 BOLTS FOR ALL PURLIN LAP CONNECTIONS.
  - USE 3/4" DIA. X 1 1/2" A325 BOLTS FOR PURLIN AND EAVE STRUT TO FRAME CONNECTIONS.
  - THE DIAMETER OF THE BRACING IS DENOTED BY THE THIRD AND FOURTH DIGITS OF THE PIECE MARK. (CABLE EX. 08 = 3/8" AND 10 = 1" (ROD EX. 08 = 3/8" AND 10 = 1"))
  - ADEQUATE TEMPORARY BRACING MUST BE PROVIDED BY THE ERECTOR DURING THE ERECTION OF THE BUILDING.
  - ALL PRIMARY AND SECONDARY FRAMING, WIND BRACING, ETC. MUST BE INSTALLED, PROPERLY ALIGNED, BOLTED OR WELDED PRIOR TO THE INSTALLATION OF THE ROOF PANELS.

- IT MAY BE NECESSARY DURING ERECTION TO MAKE MINOR ADJUSTMENTS AND ALIGNMENTS TO BOTH PURLINS AND GIRTS PRIOR TO INSTALLING PANELS.
- DO NOT STAND OR WALK ON SECONDARY FRAMING MEMBERS SUCH AS GIRTS, PURLINS AND EAVE STRUTS UNLESS THEY ARE FIRMLY SECURED AT BOTH ENDS AND Laterally SUPPORTED.
- DO NOT USE METAL BUILDING PANELS AS WALK BOARDS OR WORKING PLATFORMS. NEVER STAND OR WALK ON METAL BUILDING PANELS BETWEEN SUPPORTS UNLESS THE PANELS ARE FIRMLY FASTENED AT BOTH ENDS AND BOTH SIDES.
- DRAWINGS ARE NOT TO SCALE.
- FOR KIRBYLOK OR ROOFLOK ROOF PANELS, REF. APPROPRIATE ERECTION MANUAL FOR ERECTION PROCEDURES.

- WARNING, PENCIL LEAD WILL CAUSE GALV. PANELS AND TRIM PIECES TO RUST. DO NOT USE PENCILS TO MARK ON PARTS.

12. A COPY OF KIRBY'S STANDING SEAM CHECKLIST CAN BE FOUND IN THE STANDING SEAM ERECTION MANUAL SENT WITH EACH PROJECT. TO ENSURE YOUR INSTALLER HAS A THOROUGH UNDERSTANDING OF THE STANDING SEAM SYSTEM, PLEASE REVIEW THE DETAILS PROVIDED IN THE ERECTION DRAWINGS AND THE STANDING SEAM MANUAL. HAVE THE ERECTOR OR YOUR PROJECT SUPERINTENDENT COMPLETE THE CHECKLIST.

DETAIL KEY	ISSUE	DESCRIPTION	BY	DATE
DETAIL NO.	A	APPROVAL	JLA	12-23-13
REFERENCE ERECTION DETAILS				

**ENTRY**

CERTIFICATION EXTENDS ONLY FOR THE LOADS SPECIFIED ON KIRBY'S PURCHASE ORDER AS APPLIED TO THE STRUCTURAL COMPONENTS OF THE BUILDING DESIGNED AND SUPPLIED BY KIRBY BUILDING SYSTEMS, IF ERECTED AS INDICATED. NOTE THAT KIRBY'S ENGINEER IS NOT ACTING AS THE ENGINEER OF RECORD FOR THIS CONSTRUCTION PROJECT.

KIRBY BUILDING SYSTEMS • 124 KIRBY DRIVE • PORTLAND, TN 37148		FLYNN CONSTRUCTION CORP.	
TITLE: ROOF FRAMING PLAN	DRN. BY:	DATE:	DATE:
BUILDER: FLYNN CONSTRUCTION	DATE:	CKD. BY:	DATE:
CUSTOMER: EVOLUTION ROCK	DATE:	DATE:	DATE:
LOCATION: PORTLAND, ME	DATE:	DATE:	DATE:
ID NUMBER: K13B0648EB	MBS	JOB NO: K13B0648A	DWG. NO: E14 OF 14

