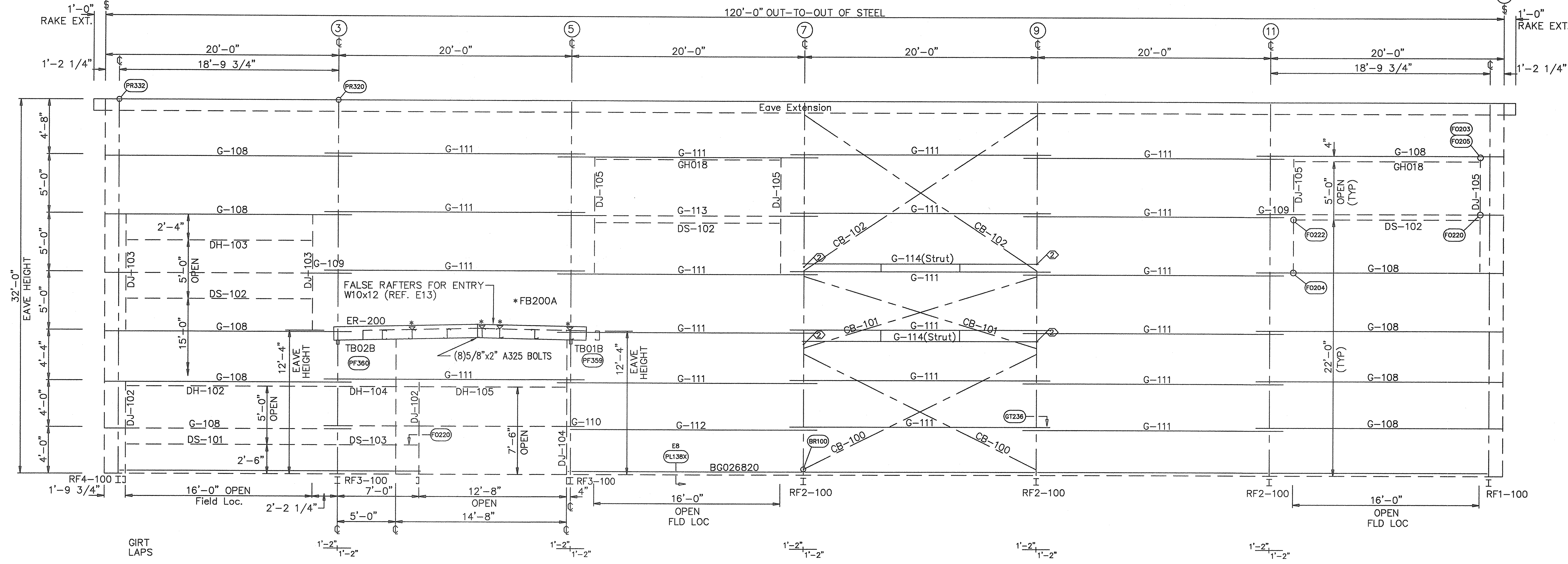


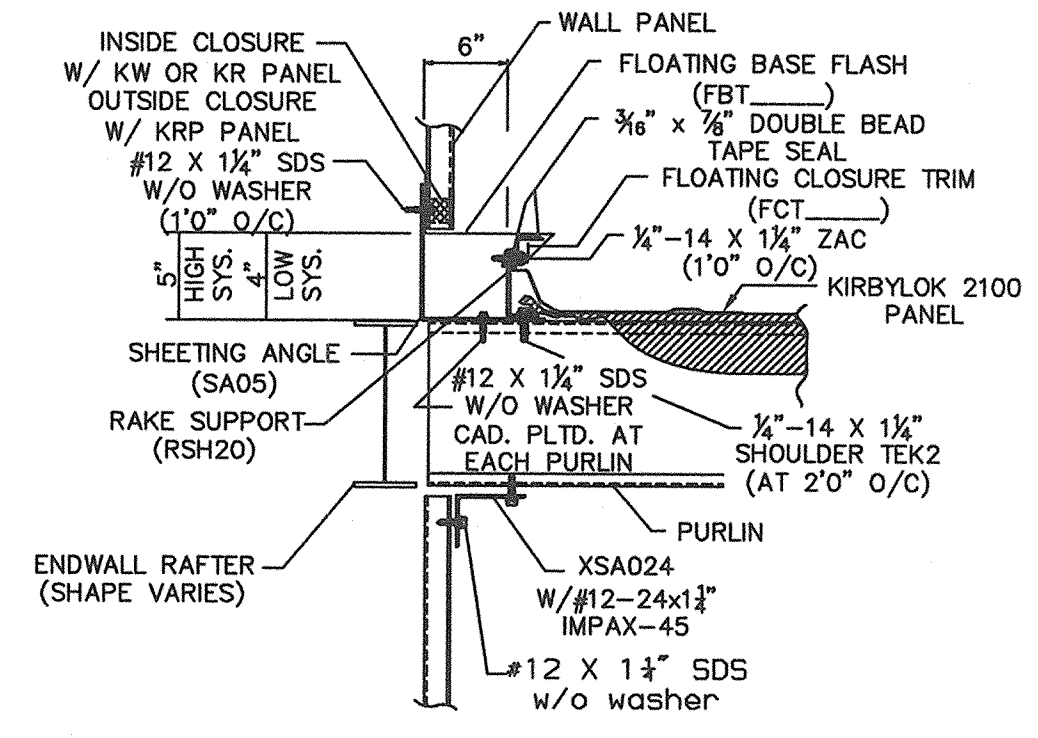
DOWNSPOUT LOCATIONS

SPECIAL BOLTS	ID	QUAN	TYPE	DIA	LENGTH	WASH
	2	4	A325	1/2"	1 1/2"	0

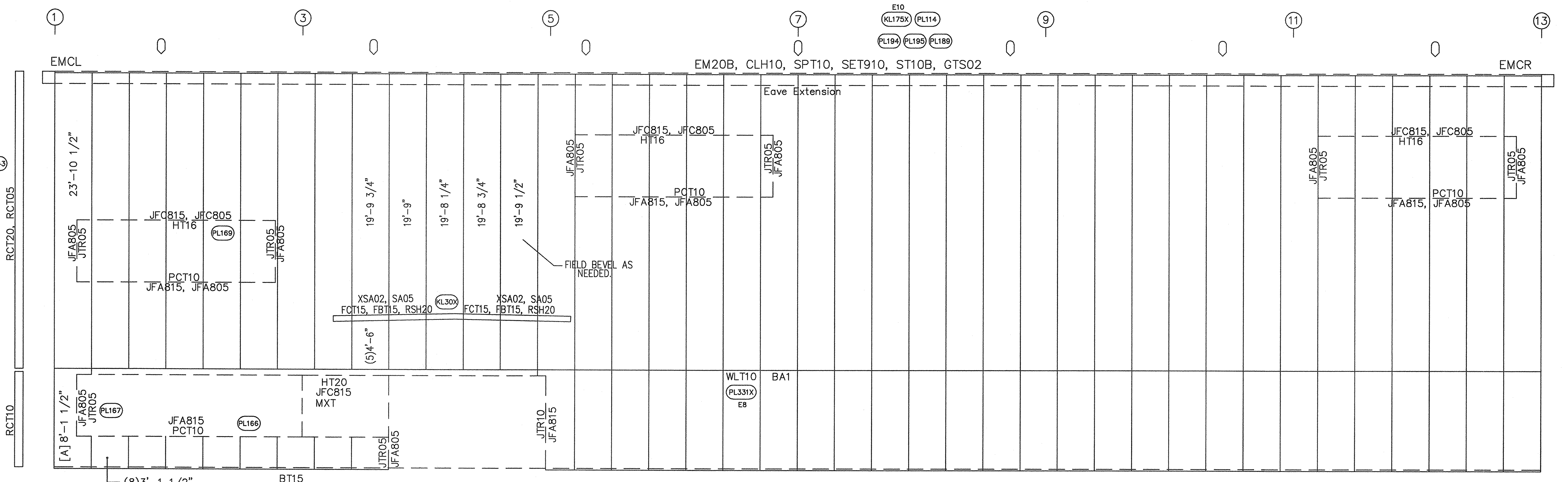


MEMBER TABLE	FRAME LINE E	QUAN	MARK	PART
2	DJ-102	8C060		
2	DJ-103	8C060		
1	DJ-104	8C060		
4	DJ-105	8C060		
1	DH-102	8C060		
1	DH-103	8C060		
1	DH-104	8C060		
1	DH-105	8C060		
1	DS-101	8C060		
1	DS-102	8C060		
1	DS-103	8C060		
10	G-108	8Z060		
2	G-109	8Z067		
1	G-110	8Z060		
21	G-111	8Z060		
1	G-112	8Z060		
1	G-113	8Z067		
2	G-114	8Z060		
2	CB-100	BR10		
2	CB-101	BR10		
2	CB-102	BR10		
2	ER-200	W10x12		

FLANGE BRACE TABLE	FRAME LINE A	QUAN	MARK	LENGTH
		1	FB200A	2'-4 11/16"



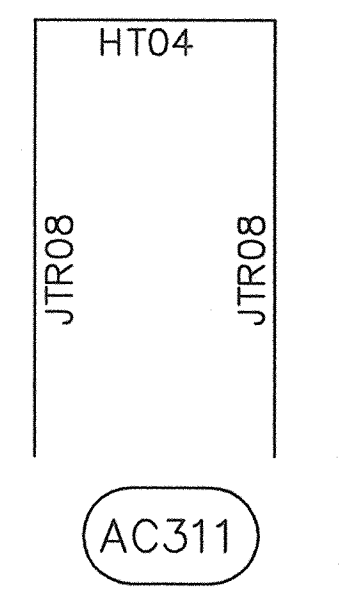
BACK SIDEWALL FRAMING: FRAME LINE A



BACK SIDEWALL SHEETING & TRIM: FRAME LINE A

PANELS: 26 Ga. KR2 - Fox Gray SP
 [A] PANELS: 26 Ga. KR2 - Forest Green SP
 TRIM: 26 Ga. - FOX GRAY

FIELD LOCATED ACCESSORIES
 (1) PD3070M1P1AWH



- GENERAL NOTES:
- USE 1/2" x 1 1/4" A325 BOLTS FOR ALL GIRT LAP AND GIRT TO CLIP CONNECTIONS.
 - THE DIAMETER OF THE BRACING IS DENOTED BY THE THIRD AND FOURTH DIGITS OF THE PIECE MARK. (EX. 08 = 3/8" DIA)
 - ADEQUATE TEMPORARY BRACING MUST BE PROVIDED BY THE ERECTOR DURING THE ERECTION OF THE BUILDING.
 - ALL PRIMARY AND SECONDARY FRAMING, WIND BRACING, ETC. MUST BE INSTALLED, PROPERLY ALIGNED, BOLTED OR WELDED PRIOR TO THE INSTALLATION OF THE PANELS.
 - IT MAY BE NECESSARY DURING ERECTION TO MAKE MINOR ADJUSTMENTS AND ALIGNMENTS TO BOTH PURLINS AND GIRTS PRIOR TO INSTALLING PANELS.

- ERECTOR TO FIELD SLOT FLUSH FRAME GIRTS FOR CABLE BRACING.
- BUILDER TO FIELD CUT OR BACK LAP PANELS AS REQUIRED.
- BEFORE INSTALLATION OF WALL PANELS, IT IS IMPORTANT TO REFERENCE WALL PANEL FASTENER LAYOUT DETAILS (PL153) KIRBYWALL, (PL149) KIRBYRIB (I) TO INSURE CORRECT USAGE OF FASTENERS.
- USE RVTCP AT 5'0" C/C FOR TEMPORARY INSTALLATION OF CLH TRIM.
- DRAWINGS ARE NOT TO SCALE.
- REF. (PL357) FOR CAULKING AT TRIM LAPS
- WARNING: PENCIL LEAD AND MARKER WILL CAUSE GALV. PANELS AND TRIM PIECES TO RUST. DO NOT USE THESE TO MARK ON PARTS.

DETAIL KEY	ISSUE	DESCRIPTION	BY	DATE
DETAIL NO.	A	APPROVAL	JLA	12-23-13
REFERENCE ERECTION DETAILS				

NOTE: ALL GIRT LAPS NOT INDICATED WILL BE 0'24" DOOR GIRTS. ALL GIRTS ATTACHED AT ONE END TO A DOOR JAMB ARE 16 GAGE UNLESS NOTED OTHERWISE.

LEAN-TO

TITLE	DRN. BY:
FRONT SIDEWALL	
BUILDER:	DATE:
FLYNN CONSTRUCTION	
CUSTOMER:	CKD. BY:
EVOLUTION ROCK	
LOCATION:	DATE:
PORTLAND, ME	
ID NUMBER:	MBS
K13B0648LTR1	
JOB NO.:	DWG. NO.:
K13B0648A	E9 OF 14

CERTIFICATION EXTENDS ONLY FOR THE LOADS SPECIFIED ON KIRBY'S PURCHASE ORDER AS APPLIED TO THE STRUCTURAL COMPONENTS OF THE BUILDING DESIGNED AND SUPPLIED BY KIRBY BUILDING SYSTEMS, IF ERECTED AS INDICATED. NOTE THAT KIRBY'S ENGINEER IS NOT ACTING AS THE ENGINEER OF RECORD FOR THIS CONSTRUCTION PROJECT.

Kirby Building Systems
 A Nucor Company
 KIRBY BUILDING SYSTEMS • 124 KIRBY DRIVE • PORTLAND, TN 37148

FLYNN CONSTRUCTION CORP.
 COMMERCIAL • INDUSTRIAL
 145 TRIPLE HARBOR, N.H. 03860
 PHONE: (603) 882-8177 • FAX: (603) 889-0494

STATE OF MAINE
 FORREST J. RUSSELL
 8636
 LICENSED PROFESSIONAL ENGINEER