

EXTENSION/CANOPY BOLTS				
MARK	QUAN	TYPE	DIAM	LENGTH
EB-2	4	A325	1/2"	1 1/4"
EB-4	4	A325	1/2"	1 1/4"
EB-5	4	A325	1/2"	1 1/4"

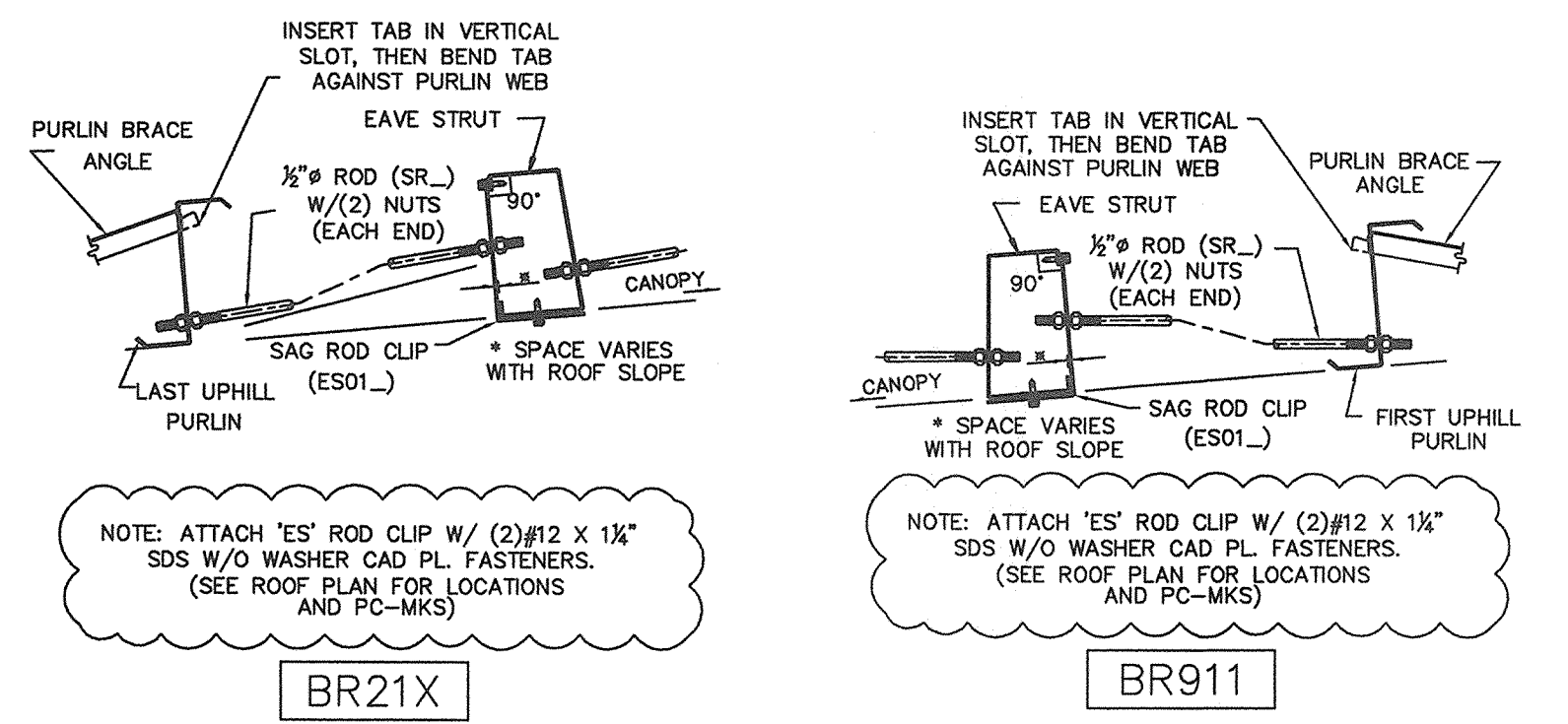
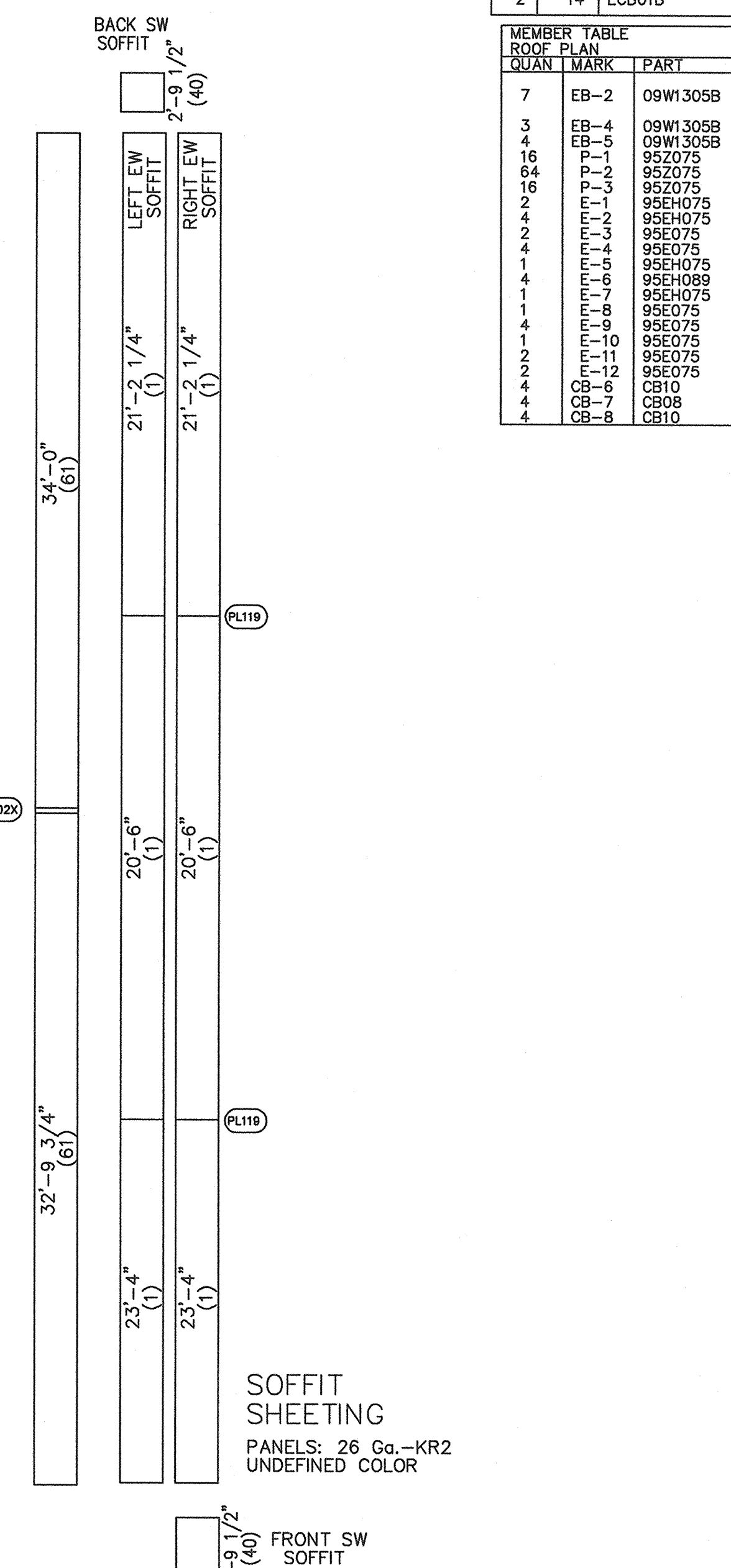
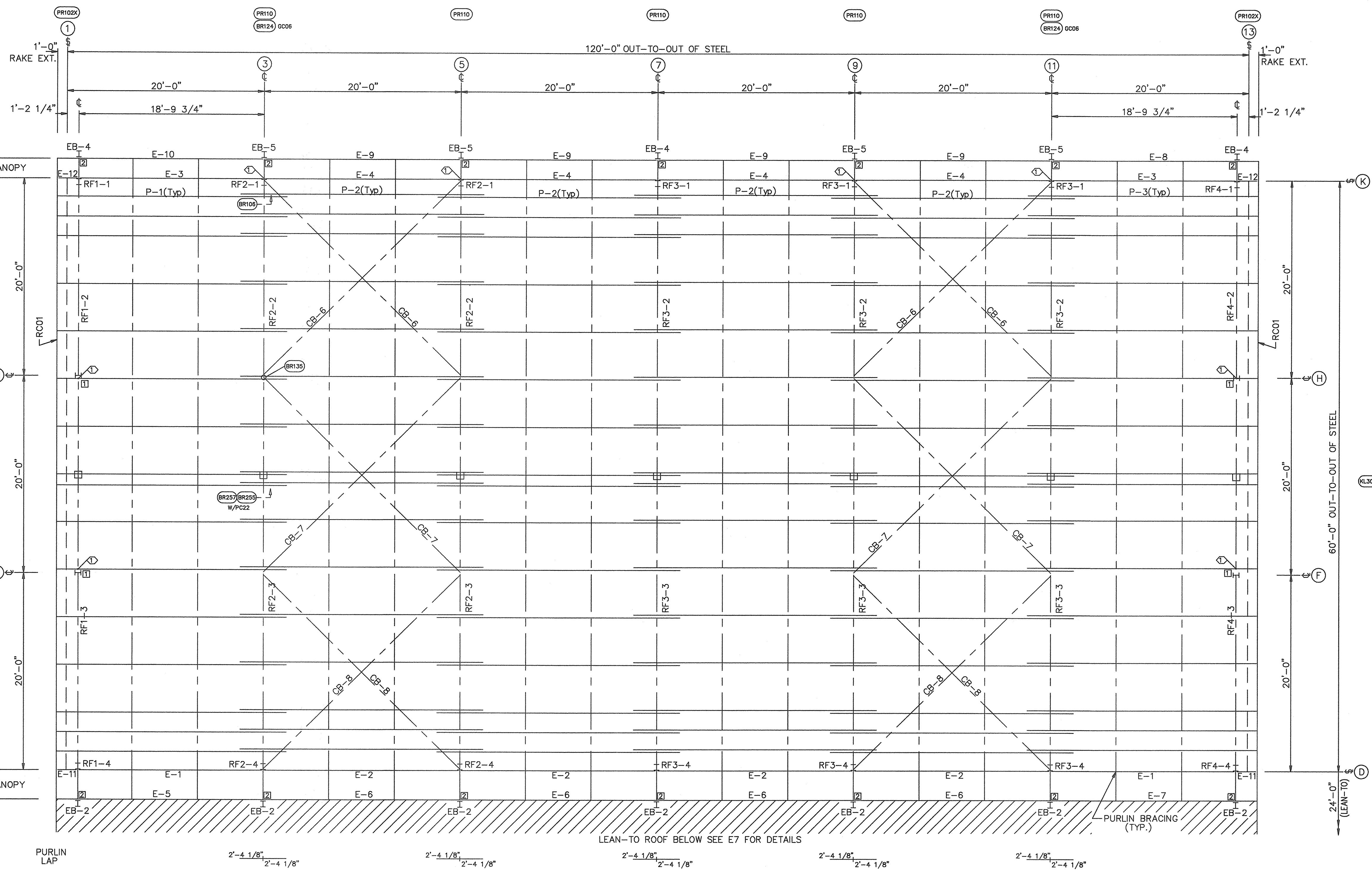
SPECIAL BOLTS					
Q ID	QUAN	TYPE	DIAM	LENGTH	WASH
1	4	A325	1/2"	1 1/2"	0

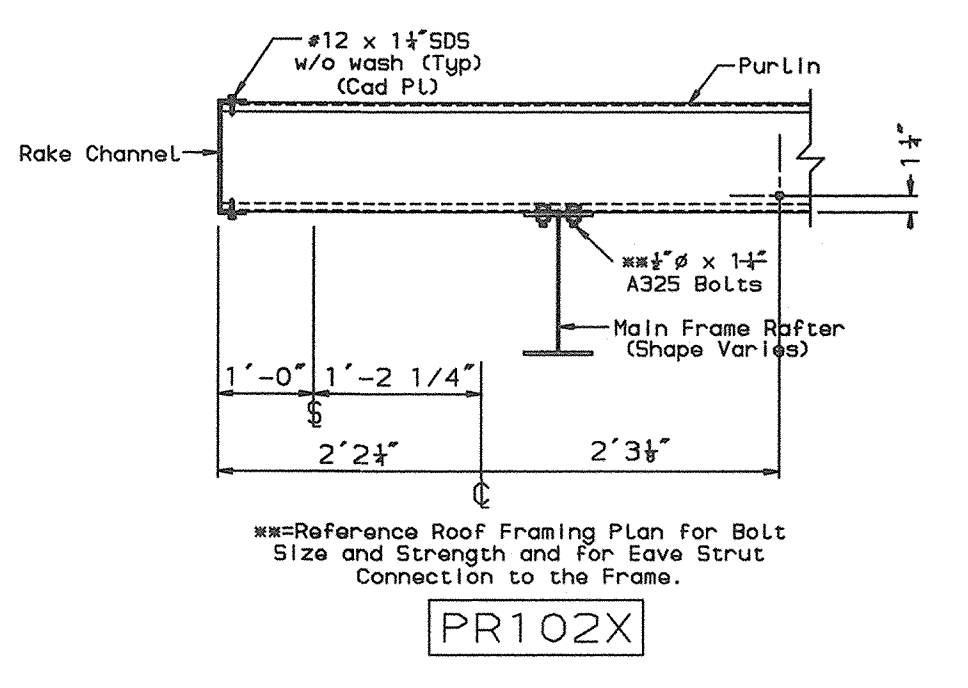
CONNECTION PLATES			
Q ID	QUAN	MARK	PART
1	4	CC275	
2	14	ECB01B	

MEMBER TABLE			
ROOF PLAN			
QUAN	MARK	PART	
7	EB-2	09W1305B	
3	EB-4	09W1305B	
4	EB-5	09W1305B	
16	P-2	95Z075	
64	P-3	95Z075	
16	P-4	95EH075	
2	RF-1	95EH075	
4	RF-2	95EH075	
4	RF-3	95EH075	
2	RF-4	95EH075	
1	RF-5	95EH075	
1	RF-6	95EH075	
1	RF-7	95EH075	
1	RF-8	95EH075	
1	RF-9	95EH075	
1	RF-10	95EH075	
1	RF-11	95EH075	
1	RF-12	95EH075	
1	RF-13	95EH075	
1	RF-14	95EH075	
1	RF-15	95EH075	
1	RF-16	95EH075	
1	RF-17	95EH075	
1	RF-18	95EH075	
1	RF-19	95EH075	
1	RF-20	95EH075	
1	RF-21	95EH075	
1	RF-22	95EH075	
1	RF-23	95EH075	
1	RF-24	95EH075	
1	RF-25	95EH075	
1	RF-26	95EH075	
1	RF-27	95EH075	
1	RF-28	95EH075	
1	RF-29	95EH075	
1	RF-30	95EH075	
1	RF-31	95EH075	
1	RF-32	95EH075	
1	RF-33	95EH075	
1	RF-34	95EH075	
1	RF-35	95EH075	
1	RF-36	95EH075	
1	RF-37	95EH075	
1	RF-38	95EH075	
1	RF-39	95EH075	
1	RF-40	95EH075	
1	RF-41	95EH075	
1	RF-42	95EH075	
1	RF-43	95EH075	
1	RF-44	95EH075	
1	RF-45	95EH075	
1	RF-46	95EH075	
1	RF-47	95EH075	
1	RF-48	95EH075	
1	RF-49	95EH075	
1	RF-50	95EH075	
1	RF-51	95EH075	
1	RF-52	95EH075	
1	RF-53	95EH075	
1	RF-54	95EH075	
1	RF-55	95EH075	
1	RF-56	95EH075	
1	RF-57	95EH075	
1	RF-58	95EH075	
1	RF-59	95EH075	
1	RF-60	95EH075	
1	RF-61	95EH075	
1	RF-62	95EH075	
1	RF-63	95EH075	
1	RF-64	95EH075	
1	RF-65	95EH075	
1	RF-66	95EH075	
1	RF-67	95EH075	
1	RF-68	95EH075	
1	RF-69	95EH075	
1	RF-70	95EH075	
1	RF-71	95EH075	
1	RF-72	95EH075	
1	RF-73	95EH075	
1	RF-74	95EH075	
1	RF-75	95EH075	
1	RF-76	95EH075	
1	RF-77	95EH075	
1	RF-78	95EH075	
1	RF-79	95EH075	
1	RF-80	95EH075	
1	RF-81	95EH075	
1	RF-82	95EH075	
1	RF-83	95EH075	
1	RF-84	95EH075	
1	RF-85	95EH075	
1	RF-86	95EH075	
1	RF-87	95EH075	
1	RF-88	95EH075	
1	RF-89	95EH075	
1	RF-90	95EH075	
1	RF-91	95EH075	
1	RF-92	95EH075	
1	RF-93	95EH075	
1	RF-94	95EH075	
1	RF-95	95EH075	
1	RF-96	95EH075	
1	RF-97	95EH075	
1	RF-98	95EH075	
1	RF-99	95EH075	
1	RF-100	95EH075	



LEAN-TO AT FRONT SIDEWALL IS BELOW EAVE OF MAIN BLDG.



- GENERAL NOTES:**
- USE 1/2" DIA. X 1 1/4" A325 BOLTS FOR ALL PURLIN LAP CONNECTIONS.
  - USE 3/8" DIA. X 1 1/4" A325 BOLTS FOR PURLIN AND EAVE STRUT TO FRAME CONNECTIONS.
  - THE DIAMETER OF THE BRACING IS DENOTED BY THE THIRD AND FOURTH DIGITS OF THE PIECE MARK. (CABLE EX. 08 = 3/8" AND 10 = 1" (ROD EX. 08 = 3/8" AND 10 = 1"))
  - ADEQUATE TEMPORARY BRACING MUST BE PROVIDED BY THE ERECTOR DURING THE ERECTION OF THE BUILDING.
  - ALL PRIMARY AND SECONDARY FRAMING, WIND BRACING, ETC. MUST BE INSTALLED, PROPERLY ALIGNED, BOLTED OR WELDED PRIOR TO THE INSTALLATION OF THE ROOF PANELS.
  - IT MAY BE NECESSARY DURING ERECTION TO MAKE MINOR ADJUSTMENTS AND ALIGNMENTS TO BOTH PURLINS AND GIRTS PRIOR TO INSTALLING PANELS.
  - DO NOT STAND OR WALK ON SECONDARY FRAMING MEMBERS SUCH AS GIRTS, PURLINS AND EAVE STRUTS UNLESS THEY ARE FIRMLY SECURED AT BOTH ENDS AND LATERALLY SUPPORTED.
  - DO NOT USE METAL BUILDING PANELS AS WALK BOARDS OR WORKING PLATFORMS. NEVER STAND OR WALK ON METAL BUILDING PANELS BETWEEN SUPPORTS UNLESS THE PANELS ARE FIRMLY FASTENED AT BOTH ENDS AND BOTH SIDES.
  - DRAWINGS ARE NOT TO SCALE.
  - FOR KIRBYLOK OR ROOFLOK ROOF PANELS, REF. APPROPRIATE ERECTION MANUAL FOR ERECTION PROCEDURES.

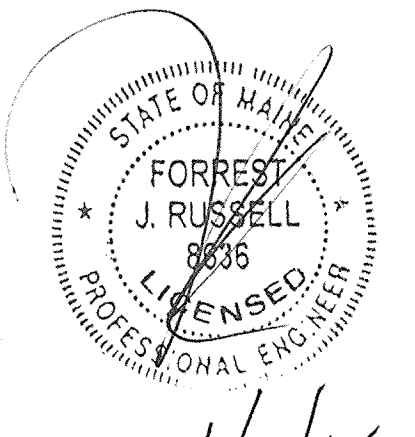
11. WARNING: PENCIL LEAD WILL CAUSE GALV. PANELS AND TRIM PIECES TO RUST. DO NOT USE PENCILS TO MARK ON PARTS.

12. A COPY OF KIRBY'S STANDING SEAM CHECKLIST CAN BE FOUND IN THE STANDING SEAM ERECTION MANUAL SENT WITH EACH PROJECT. TO ENSURE YOUR INSTALLER HAS A THOROUGH UNDERSTANDING OF THE STANDING SEAM SYSTEM, PLEASE REVIEW THE DETAILS PROVIDED IN THE ERECTION DRAWINGS AND THE STANDING SEAM MANUAL. HAVE THE ERECTOR OR YOUR PROJECT SUPERINTENDENT COMPLETE THE CHECKLIST.

DETAIL KEY	ISSUE	DESCRIPTION	BY	DATE
DETAIL NO.	A	APPROVAL	JLA	12-23-13
REFERENCE ERECTION DETAILS				

KIRBY BUILDING SYSTEMS • 124 KIRBY DRIVE • PORTLAND, TN 37148		COMMERCIAL INDUSTRIAL 145 TEMPLE WASHU, N.H. 03050 PHONE: (603) 882-8177 • FAX: (603) 889-0494	
TITLE: ROOF FRAMING PLAN	DRN. BY:	DATE:	
BUILDER: FLYNN CONSTRUCTION	CKD. BY:	DATE:	
CUSTOMER: EVOLUTION ROCK	DATE:		
LOCATION: PORTLAND, ME	DATE:		
ID NUMBER: K13B0648MBR1	MBS	JOB NO: K13B0648A	DWG. NO: E5 OF 14



1/7/14