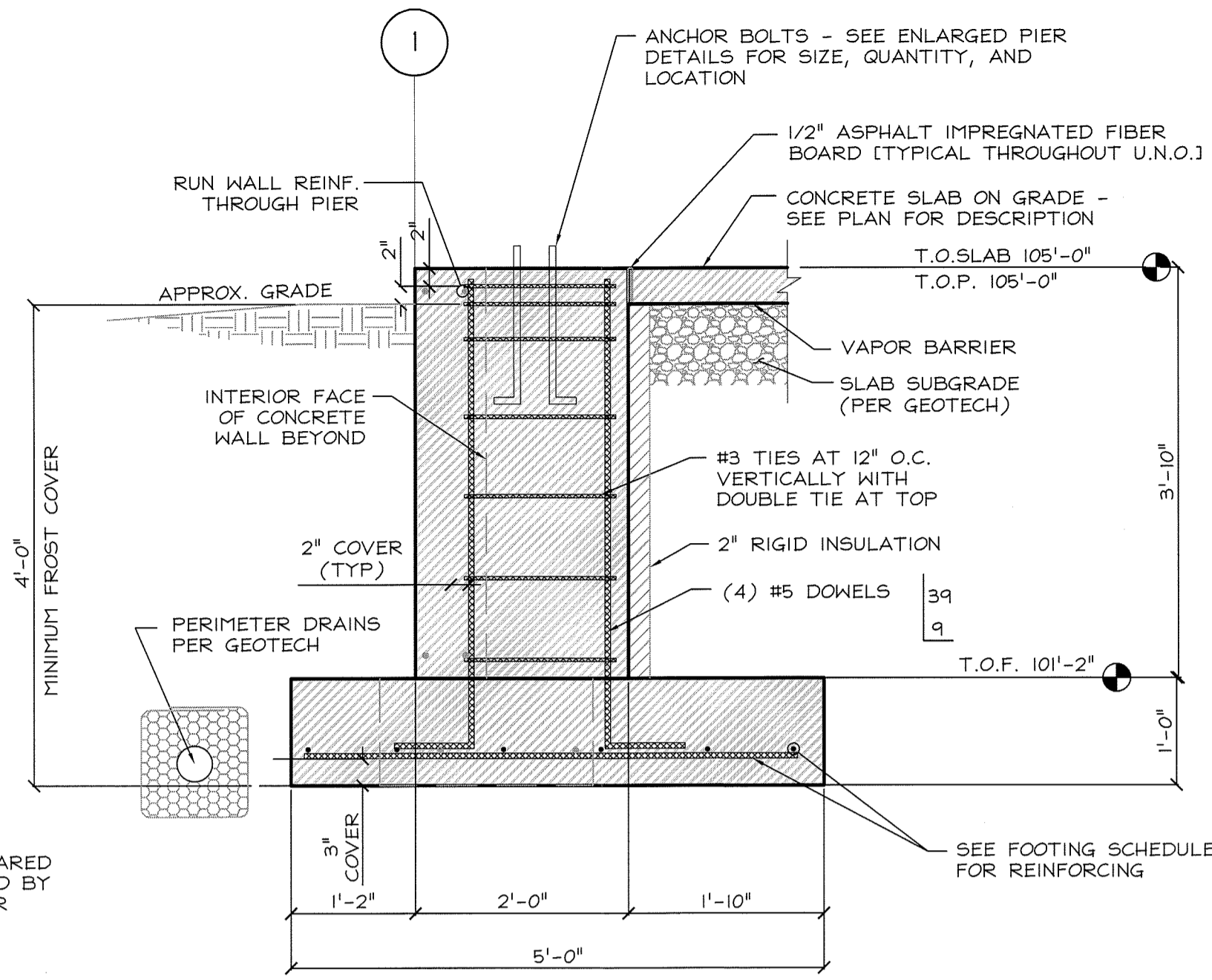
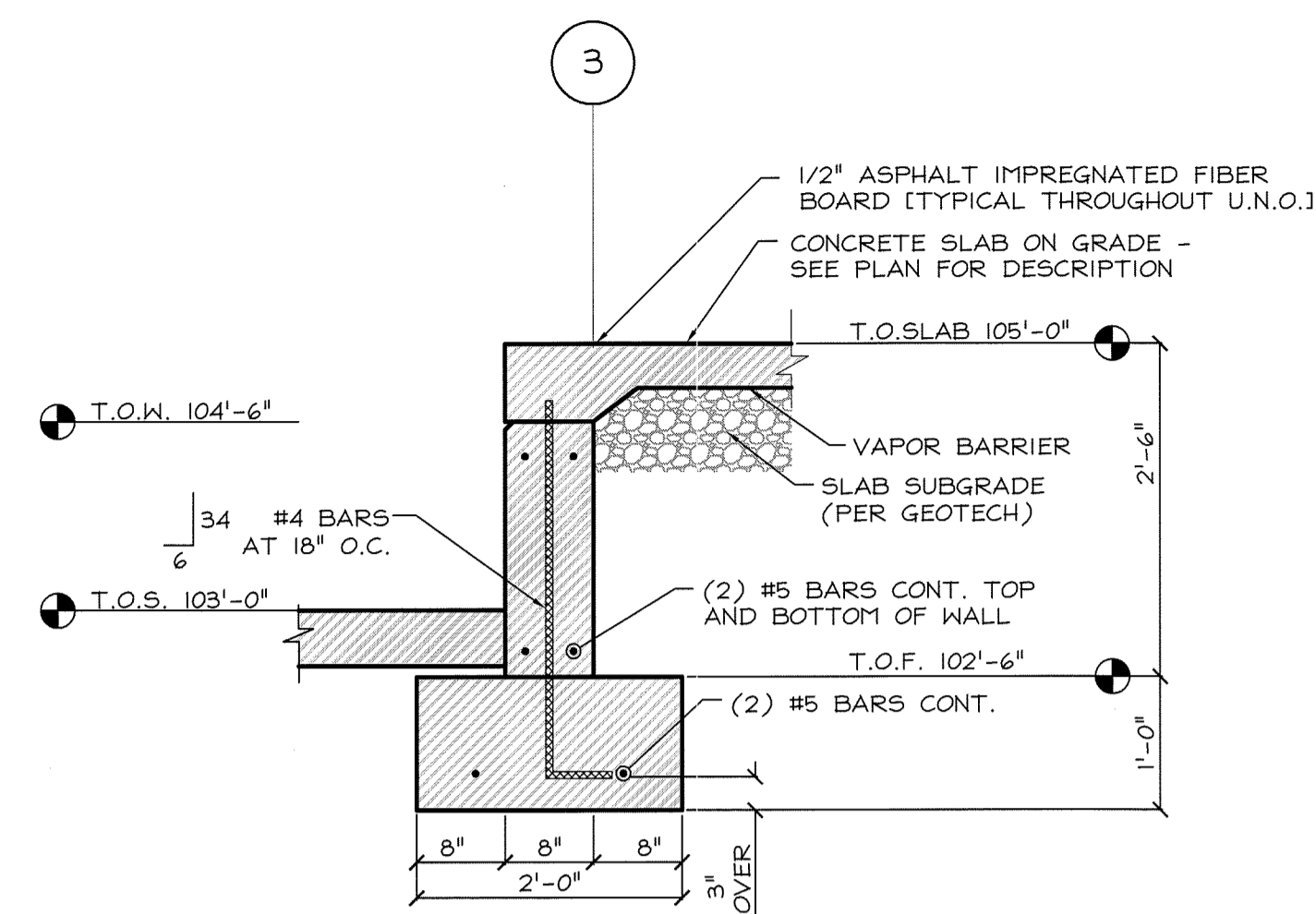


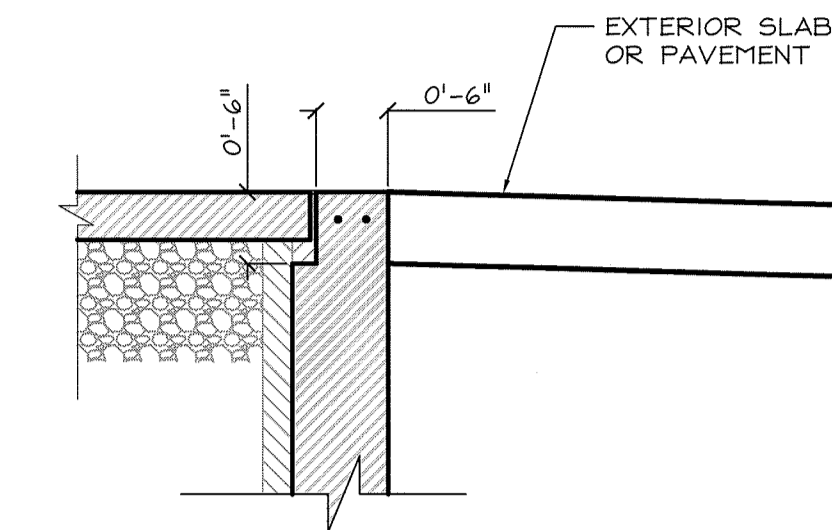
1 FOUNDATION WALL SECTION
S1.1 Scale: 3/4" = 1'-0"



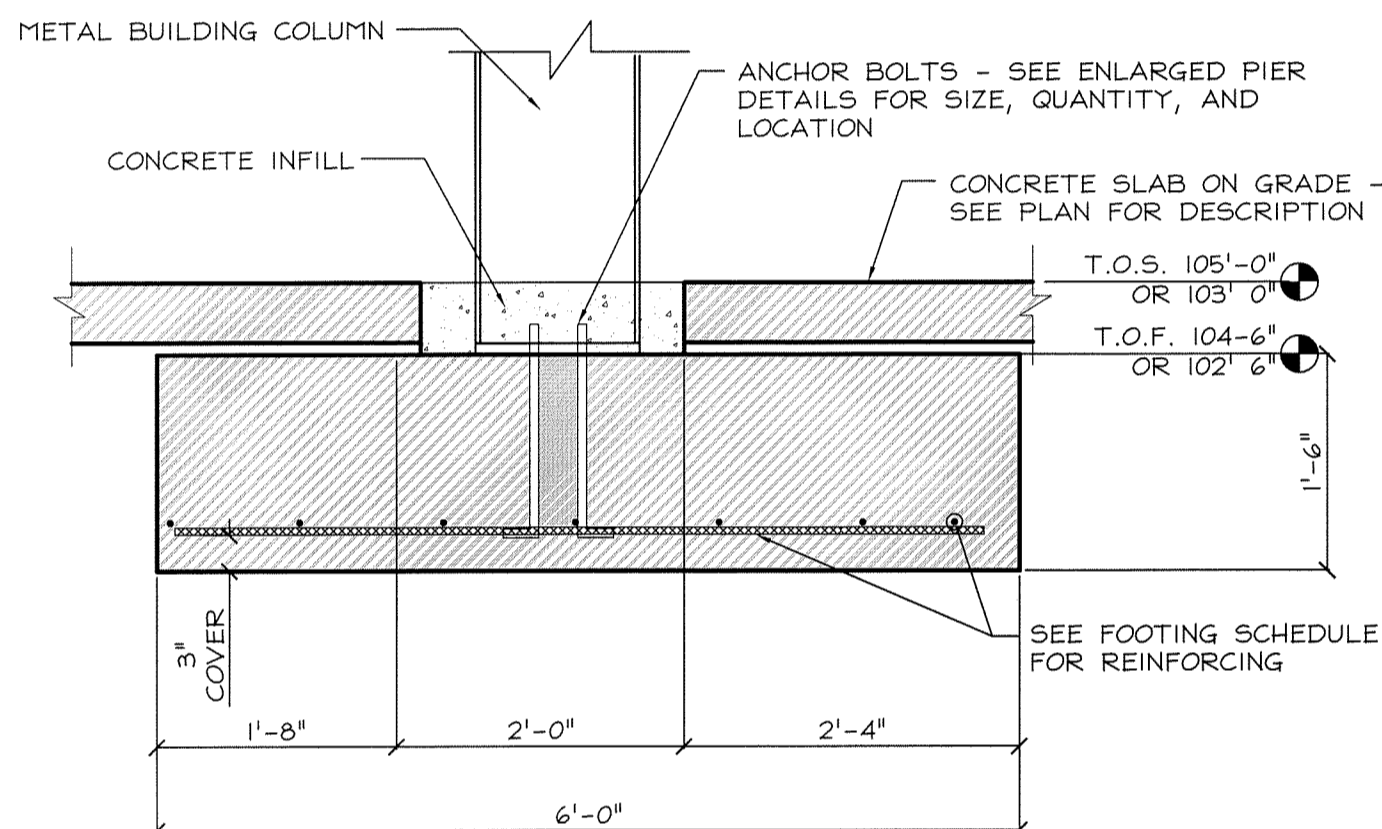
2 PIER SECTION
S1.1 Scale: 3/4" = 1'-0"



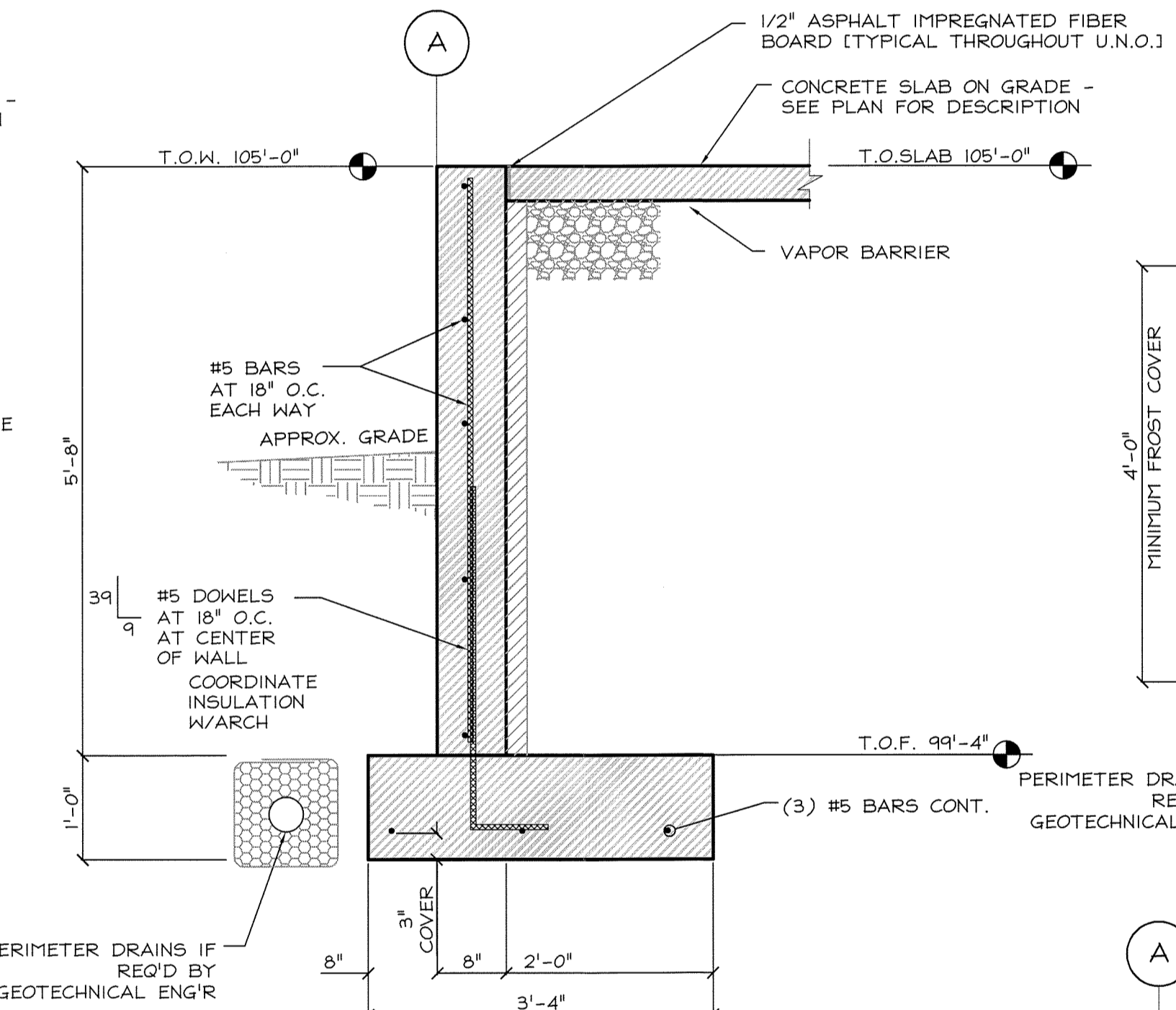
3 WALL SECTION LINE 5
S1.1 Scale: 3/4" = 1'-0"



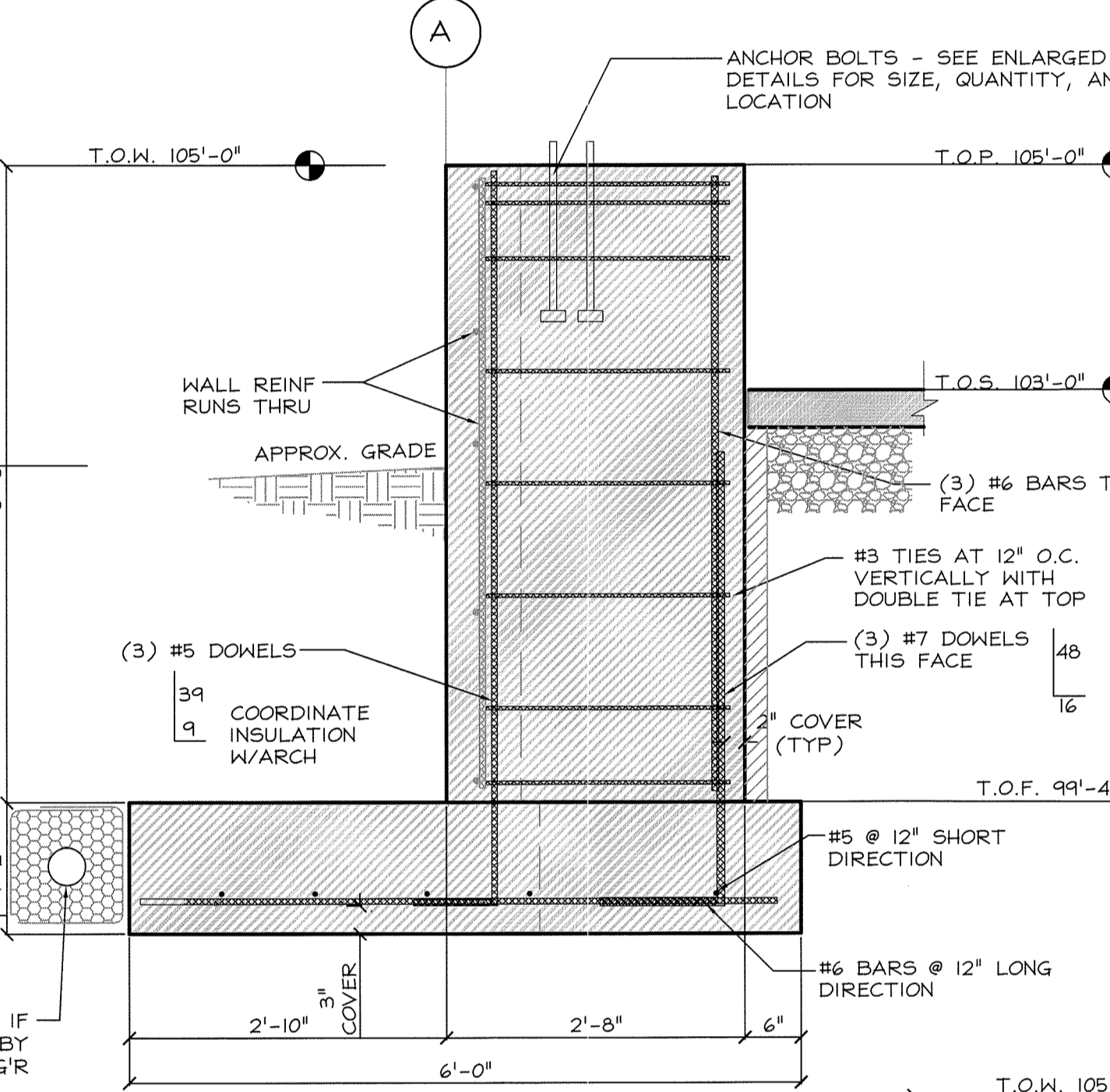
7 TOW AT DOOR
S1.1 Scale: 3/4" = 1'-0"



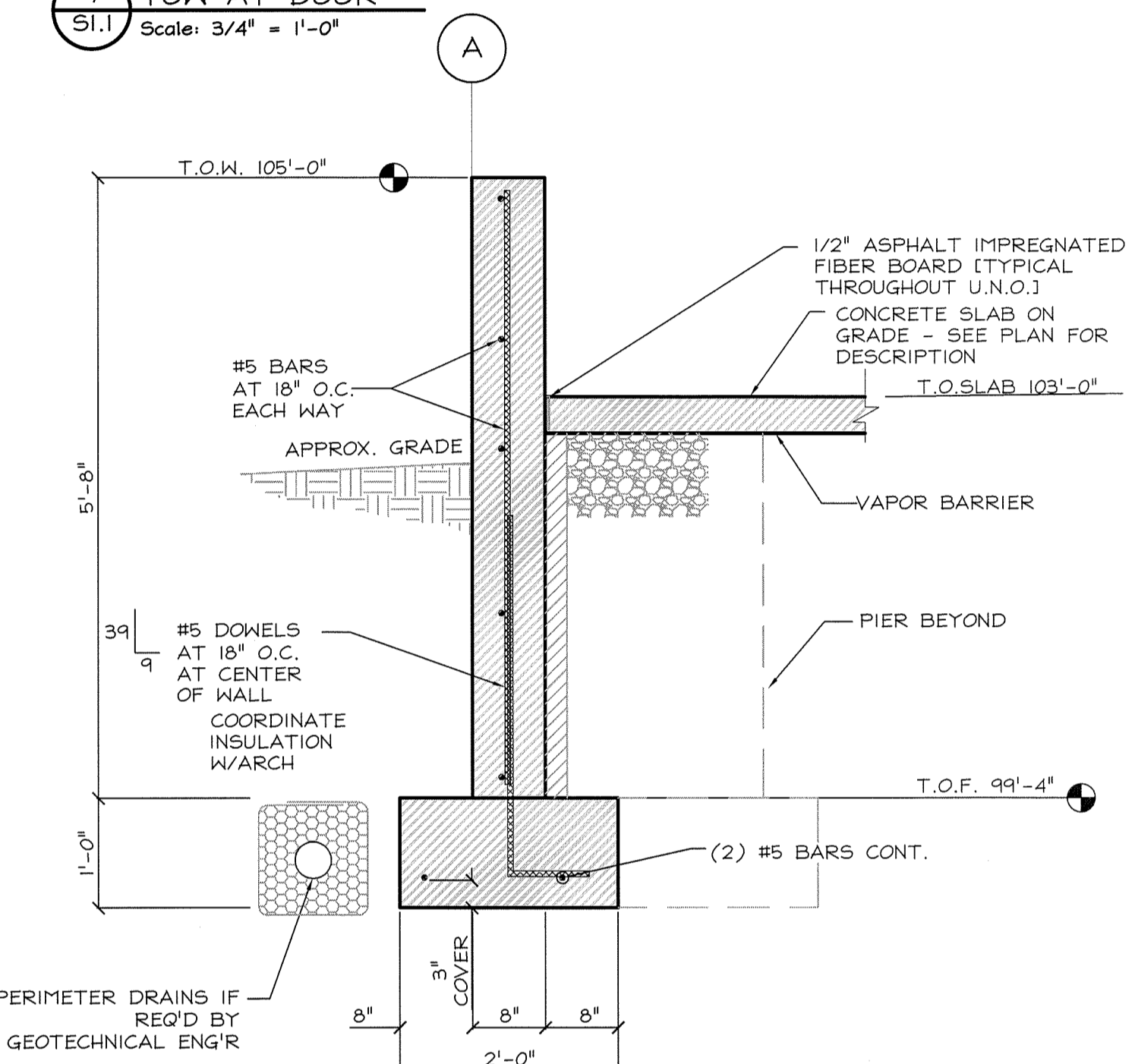
4 INTERIOR FOOTING SECTION
S1.1 Scale: 3/4" = 1'-0"



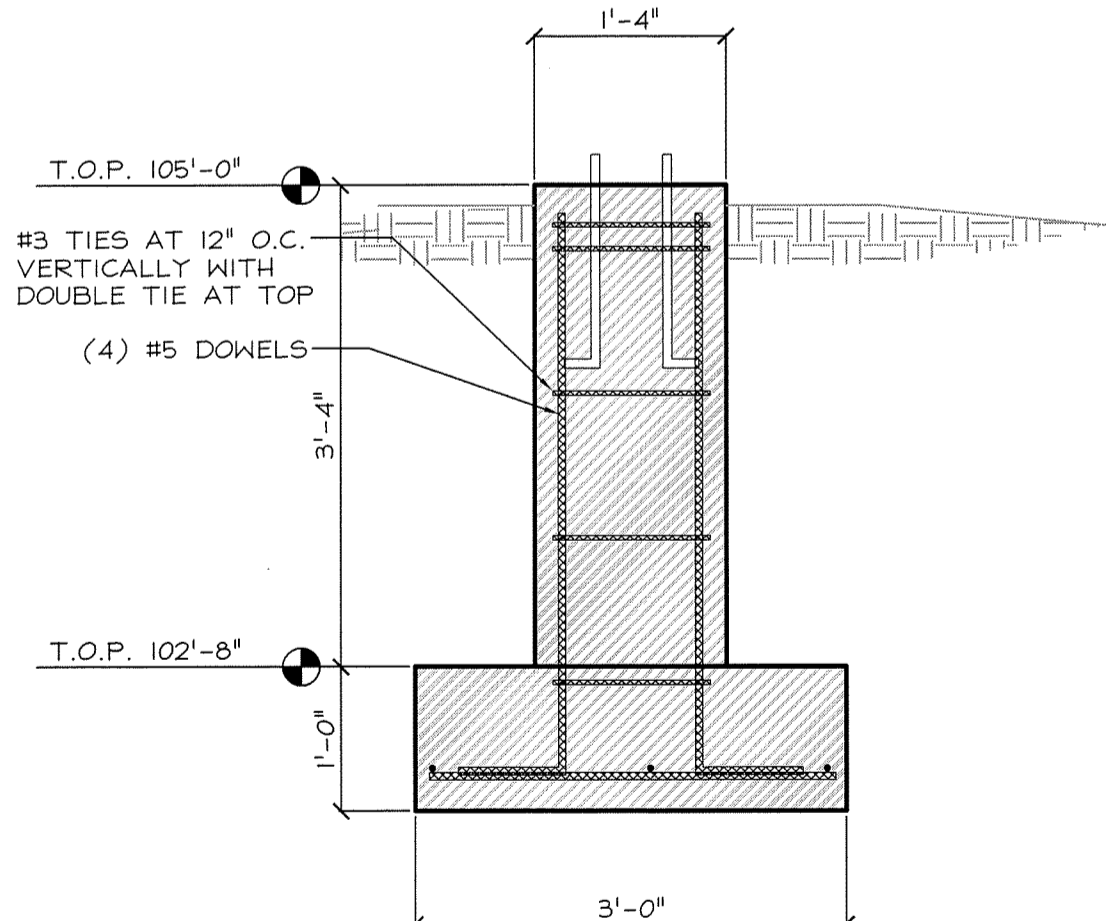
5 WALL SECTION LINE A
S1.1 Scale: 3/4" = 1'-0"



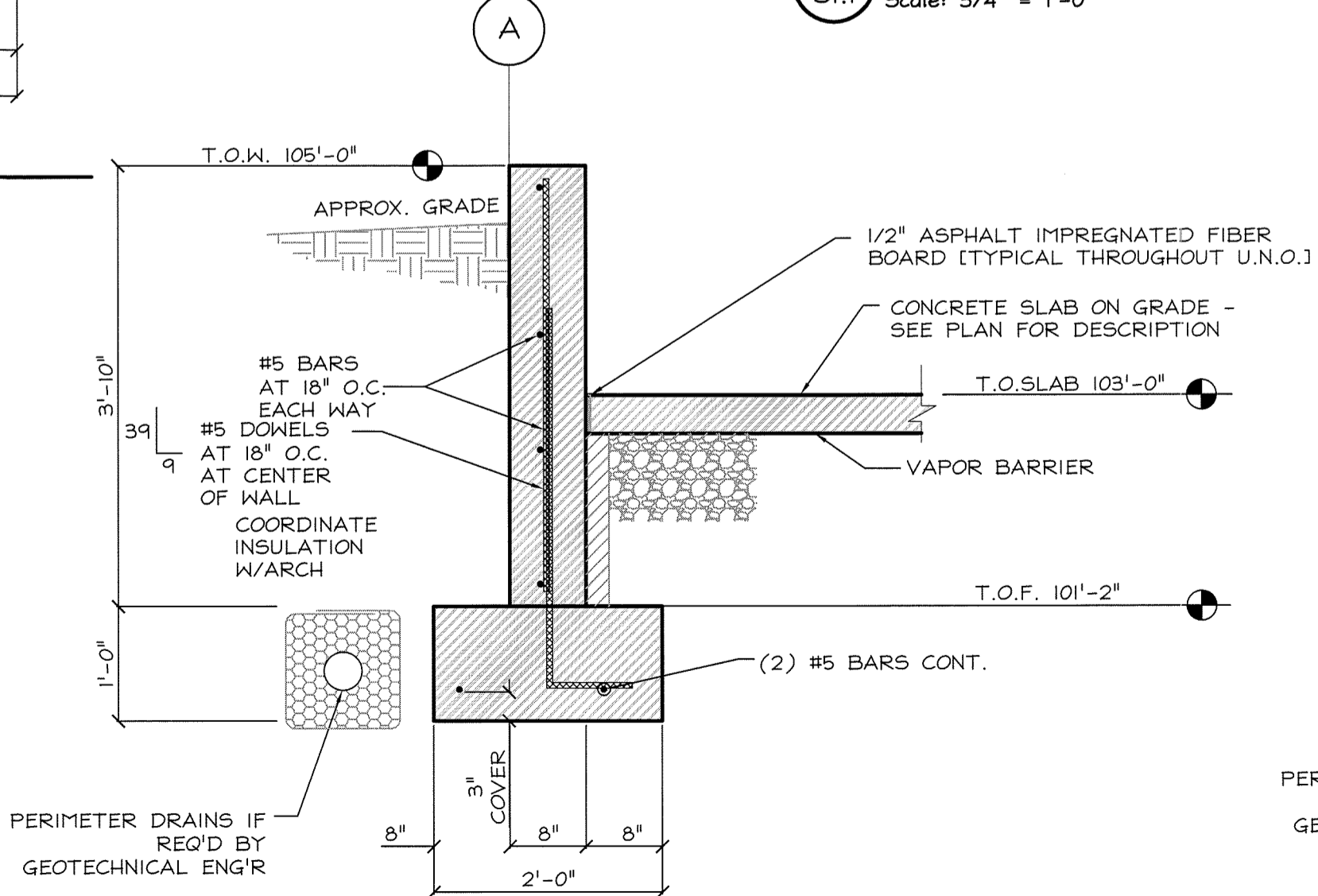
6 PIER SECTION LINE K
S1.1 Scale: 3/4" = 1'-0"



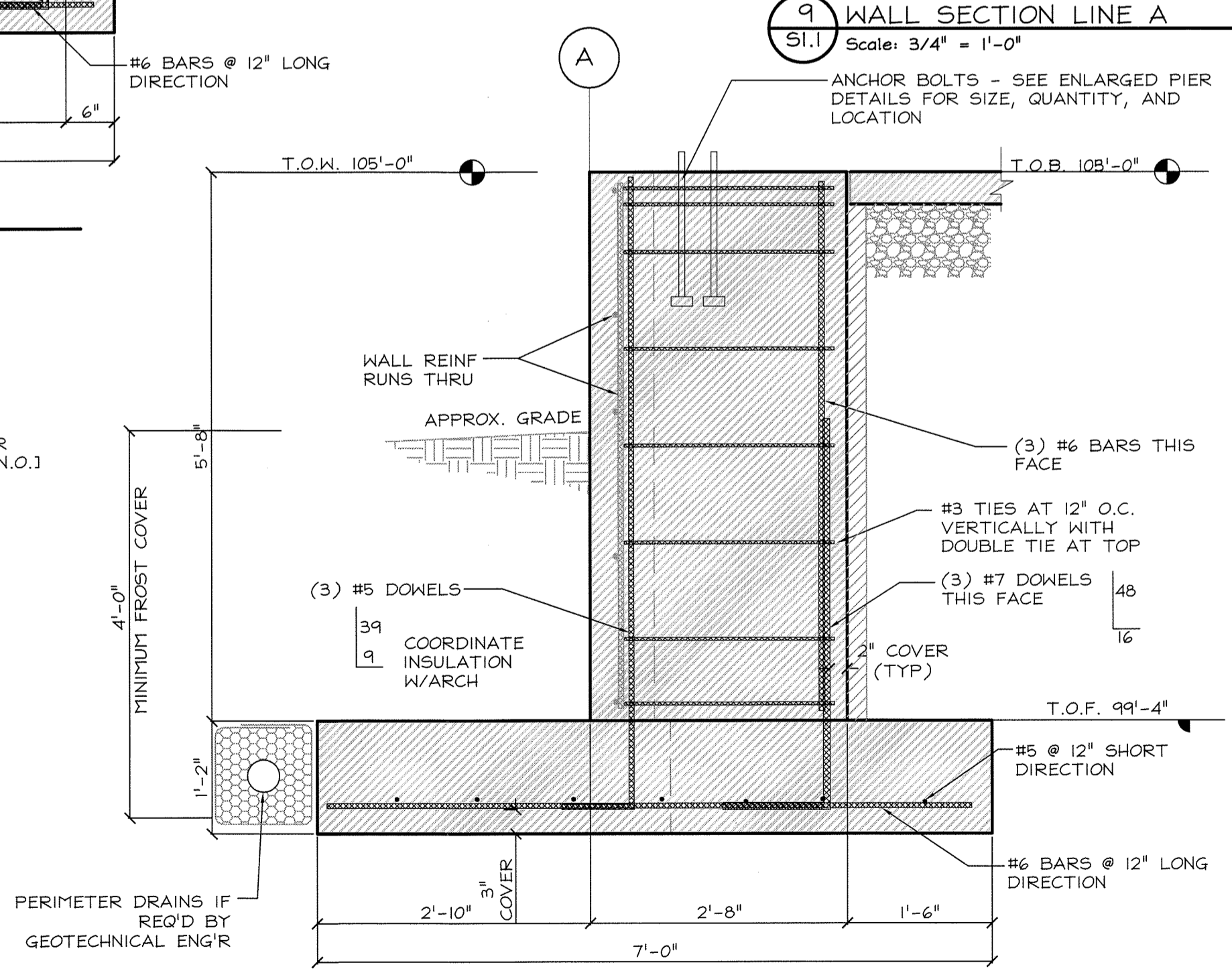
9 WALL SECTION LINE A
S1.1 Scale: 3/4" = 1'-0"



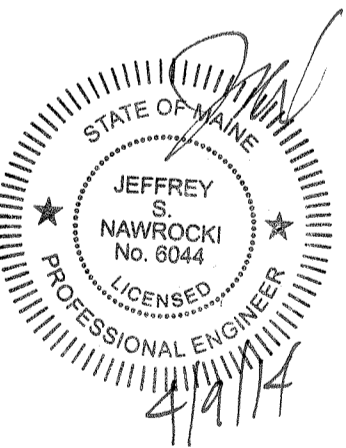
8 EXTERIOR PIER
S1.1 Scale: 3/4" = 1'-0"



10 WALL SECTION LINE E
S1.1 Scale: 3/4" = 1'-0"



11 PIER SECTION
S1.1 Scale: 3/4" = 1'-0"



Date: 11/08/13
Scale: As Noted
By: JSN

Revisions