

FOOTING SCHEDULE		
MARK	SIZE	REINFORCING
F3.0	3'-0" x 3'-0" x 1'-0"	(3) #5 BARS EACH WAY
F4.0	4'-0" x 4'-0" x 1'-0"	(4) #5 BARS EACH WAY
F4/5	4'-0" x 5'-0" x 1'-0"	(5) #5 BY 3'-6" SHORT DIRECTION (4) #5 BY 4'-6" LONG DIRECTION
F4/6	4'-0" x 6'-0" x 1'-4"	(6) #5 BY 3'-6" SHORT DIRECTION (4) #5 BY 5'-6" LONG DIRECTION
F4/7	4'-0" x 7'-0" x 1'-4"	(7) #5 BY 3'-6" SHORT DIRECTION (5) #5 BY 6'-6" LONG DIRECTION
F5.0	5'-0" x 5'-0" x 1'-4"	(5) #6 BARS EACH WAY
F5/6	5'-0" x 6'-0" x 1'-4"	(6) #5 BY 4'-6" SHORT DIRECTION (5) #6 BY 5'-6" LONG DIRECTION
F5/7	5'-0" x 7'-0" x 1'-4"	(7) #5 BY 4'-6" SHORT DIRECTION (5) #6 BY 6'-6" LONG DIRECTION
F6.0	6'-0" x 6'-0" x 1'-6"	(7) #6 BARS EACH WAY
F6/8	6'-0" x 8'-0" x 1'-4"	(8) #6 BY 5'-6" SHORT DIRECTION (6) #6 BY 7'-6" LONG DIRECTION

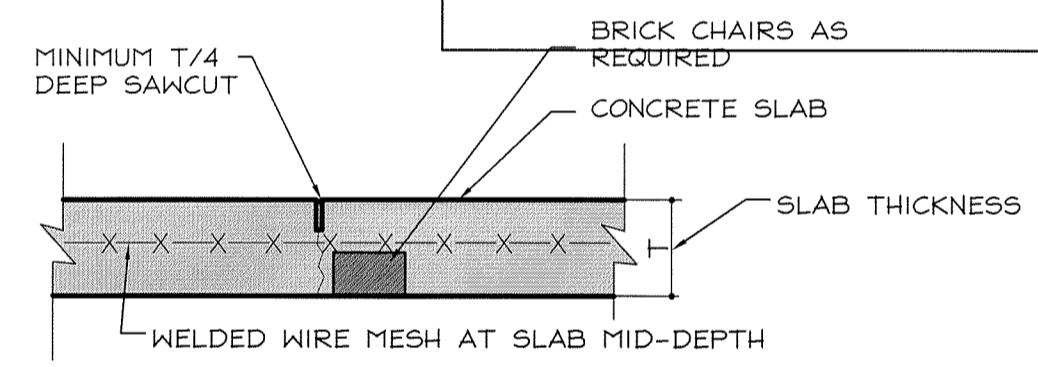
LOCATE REINFORCING BARS WITH 3" CLEAR COVER FROM BOTTOM OF FOOTING. SPACE REINFORCING BARS EVENLY, TIED IN MATS, WITH SPECIFIED NUMBER OF BARS RUNNING EACH WAY.

NOTES:

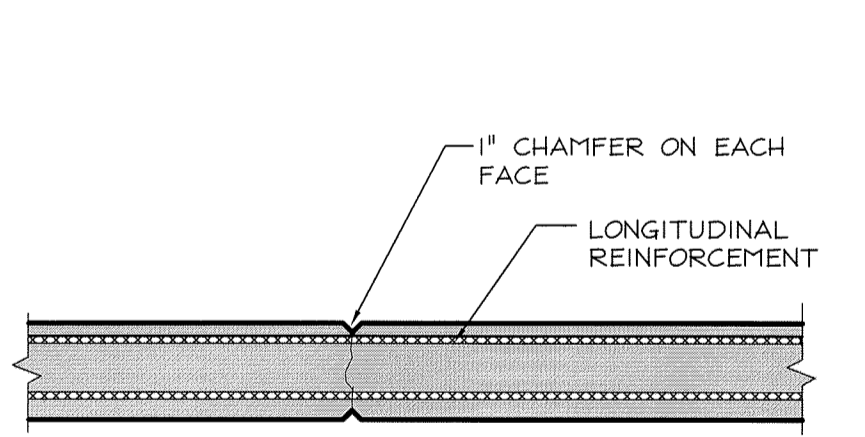
- SEE DRAWING S.N.O FOR GENERAL NOTES AND INSPECTIONS.
- SEE CIVIL DRAWINGS FOR LOCATIONS AND CONSTRUCTION DETAILS OF EXTERIOR CONCRETE PADS, RAMPS, AND WALKWAYS IF APPLICABLE.
- GENERAL CONTRACTOR SHALL COORDINATE UNDERSLAB UTILITIES AND FOUNDATION DRAINS.
- FOUNDATION CONTRACTOR SHALL FINISH TOP OF FOUNDATION WALL SMOOTH AND LEVEL.
- BACKFILL BOTH SIDES OF FOUNDATION WALLS WITH COMPACTED STRUCTURAL FILL.

REFER TO GEOTECHNICAL ENGINEER'S REPORT FOR ALL INFORMATION REGARDING SOILS, EXCAVATION, BACKFILL, SUBGRADE PREPARATION, ETC. SEE REPORT BY KMM GEOTECHNICAL CONSULTANTS, LLC. DATED NOVEMBER 4, 2015.

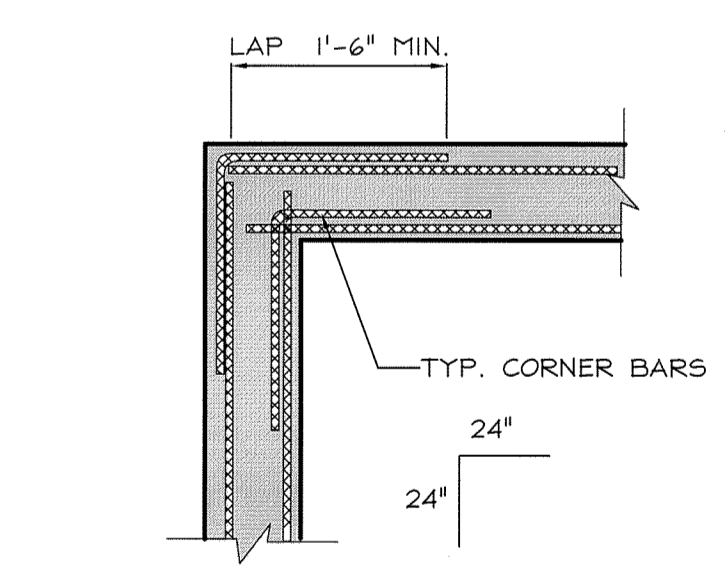
NOTE - ALL FILL AND ORGANICS MUST BE REMOVED FROM SITE AS NOTED IN GEOTECHNICAL REPORT. IT IS NOTED IN THE REPORT THAT THERE IS APPROXIMATELY 5' - 9' OF FILL REQUIRING REMOVAL.



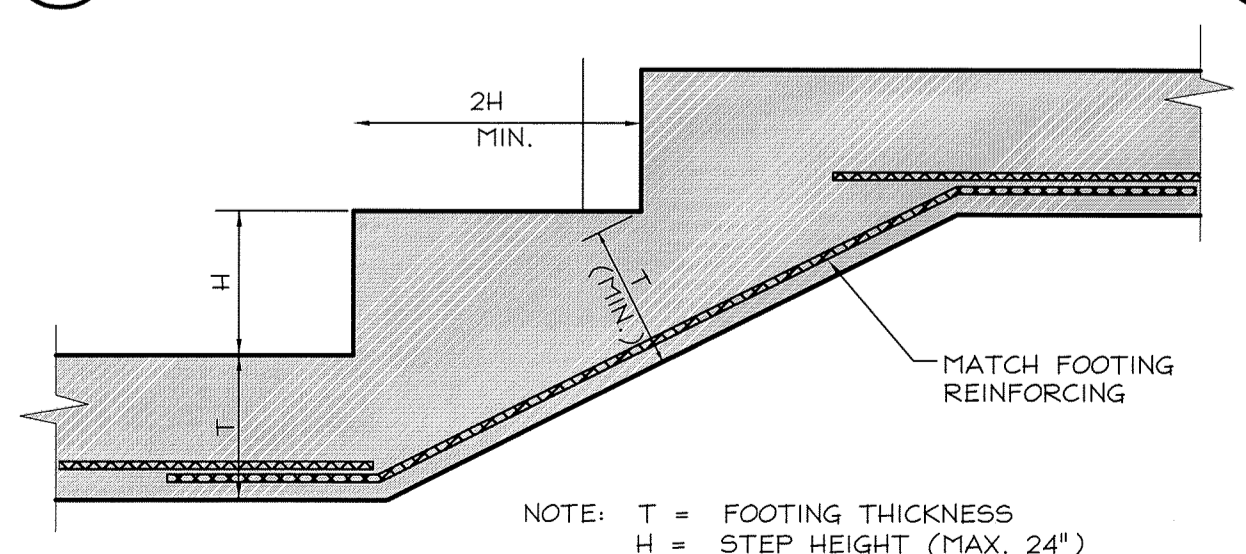
**A** SAW CUT CONTROL JOINT  
Scale: NTS



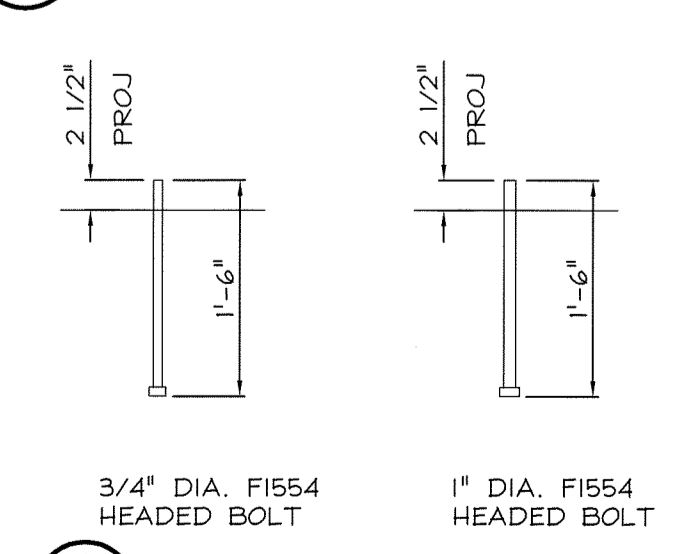
**B** TYPICAL CONTROL JOINT IN FOUNDATION WALL  
Scale: NTS



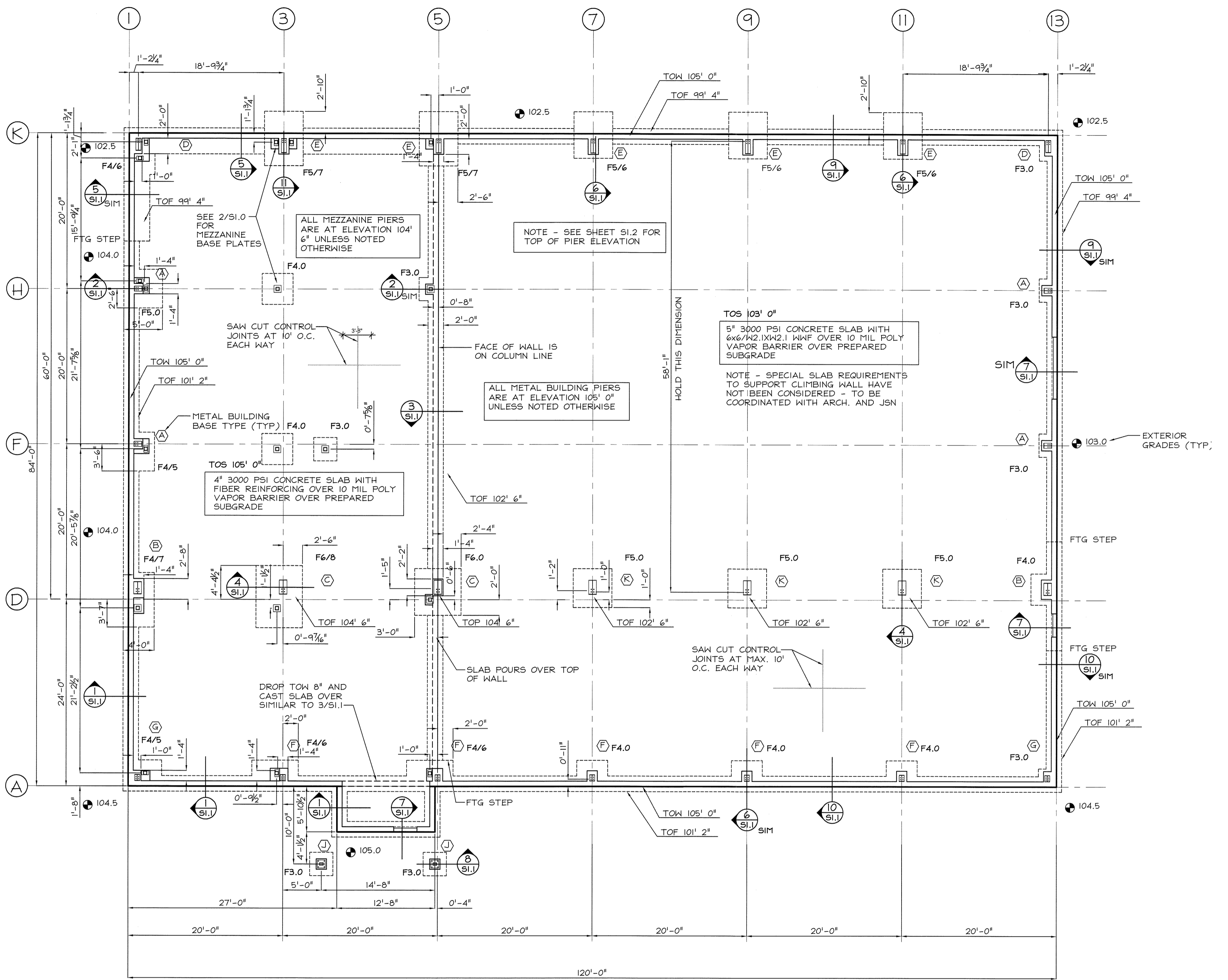
**C** CORNER REINFORCING AT WALLS  
Scale: NTS



**E** TYPICAL STEP IN FOOTING  
Scale: 3/4" = 1' 0"

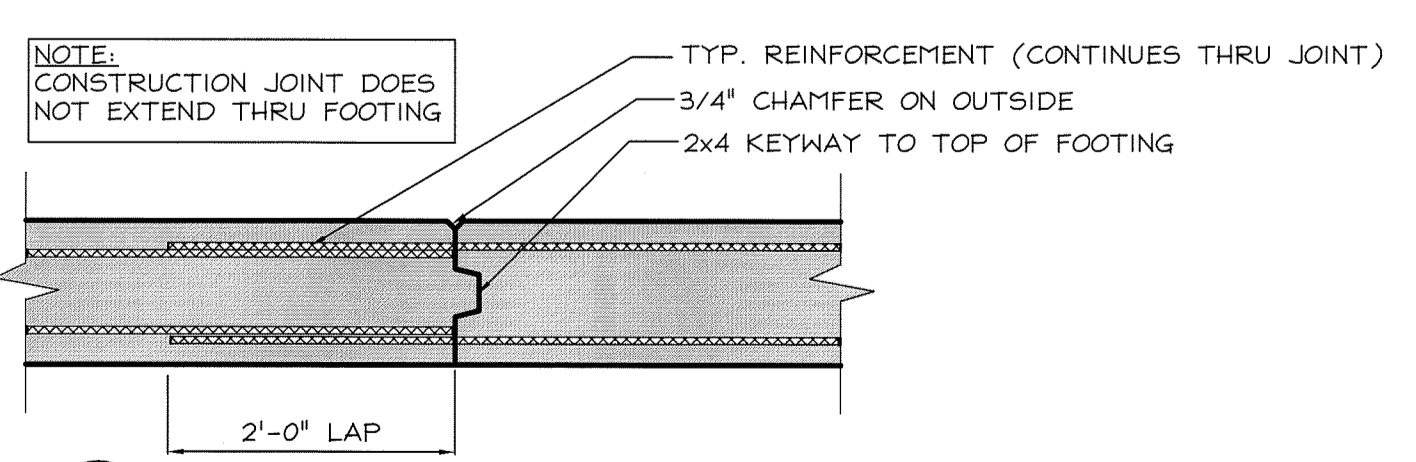


**F** ANCHOR BOLT DETAILS  
Scale: NTS

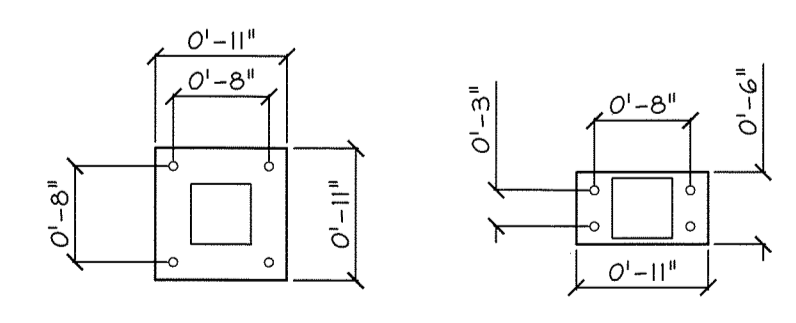


**1** FOUNDATION PLAN  
Scale: 1/8" = 1'-0"

NOTE - REMOVE AND REPLACE ALL UNSUITABLE FILL PER GEOTECHNICAL REPORT



**D** TYPICAL WALL CONSTRUCTION JOINT  
Scale: NTS



**2** MEZZANINE BASE PLATES  
Scale: 3/4" = 1'-0"



Date: 04/09/14  
Scale: As Noted  
By: JSN

Revisions
