

HILARY HARRIS, AIA

PO BOX 336
STODDARD, NH 03464
PH: (603) 499-1239

EMAIL:
hilyharris@gmail.com

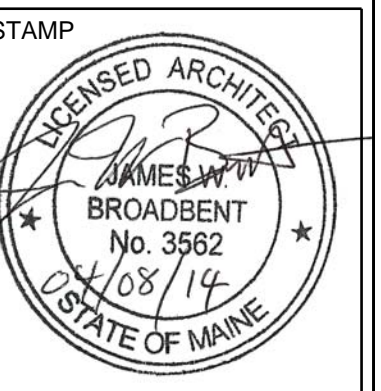
EVO ROCK & FITNESS
PORTLAND, ME

ISSUE

DATE	BY	REMARKS
08APR14	HBH	FOR CONSTRUCTION

DRAWING TITLE:

WALL DETAILS

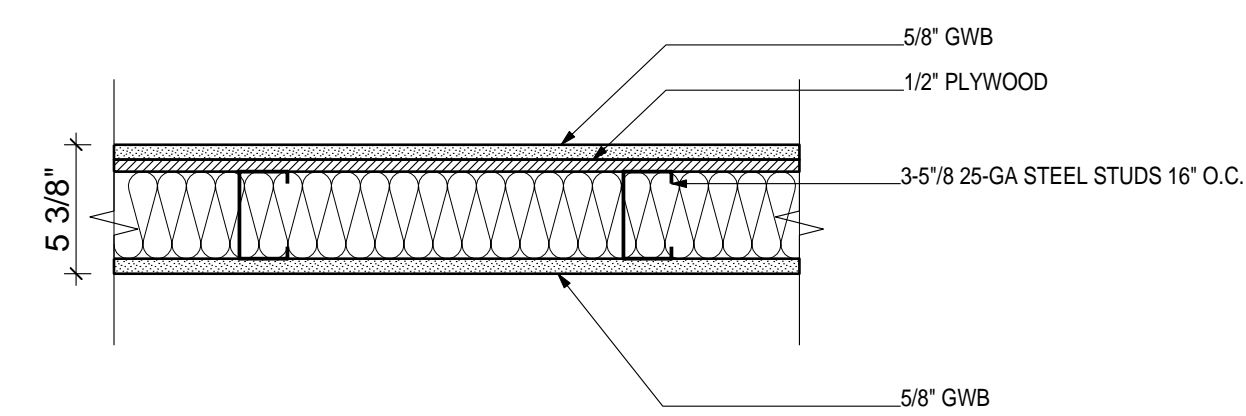


SCALE: 1-1/2"=1'-0"

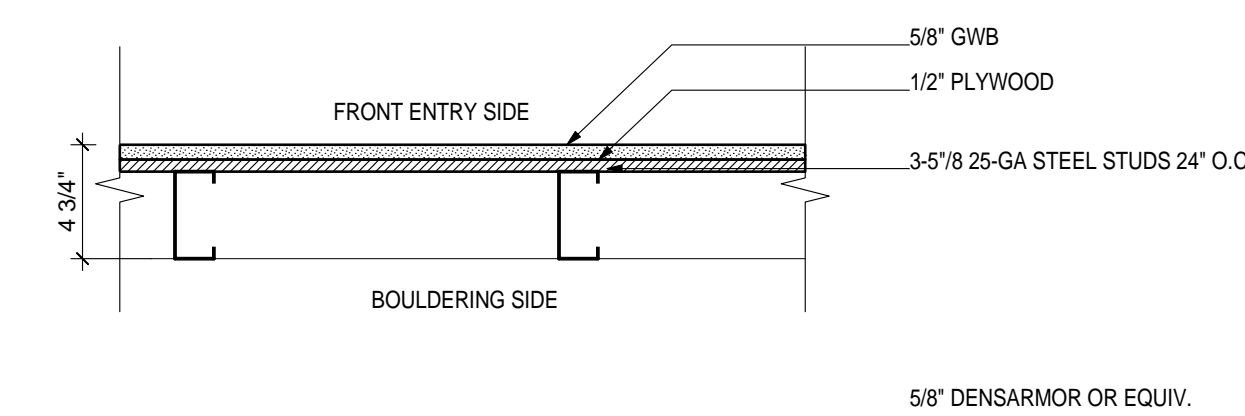
DSN TEAM:

SHEET NUMBER:

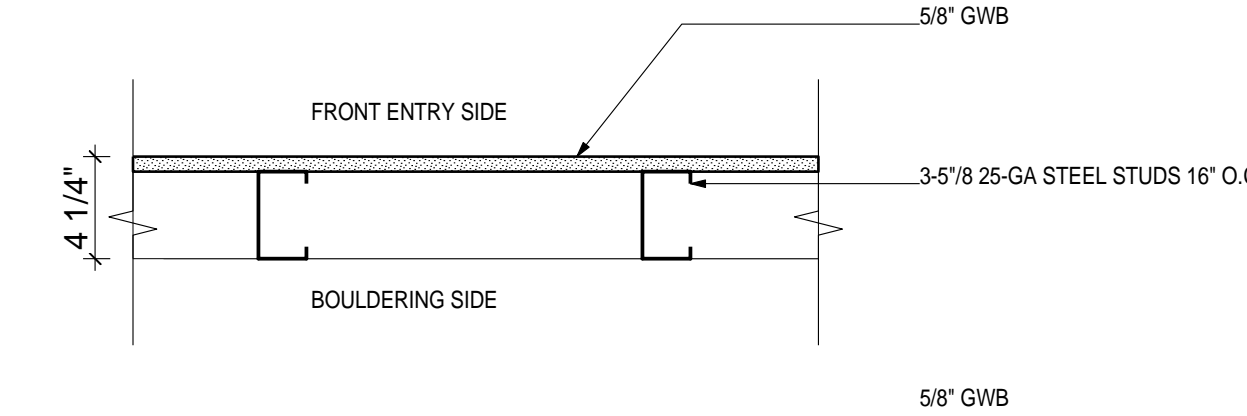
D-1.0



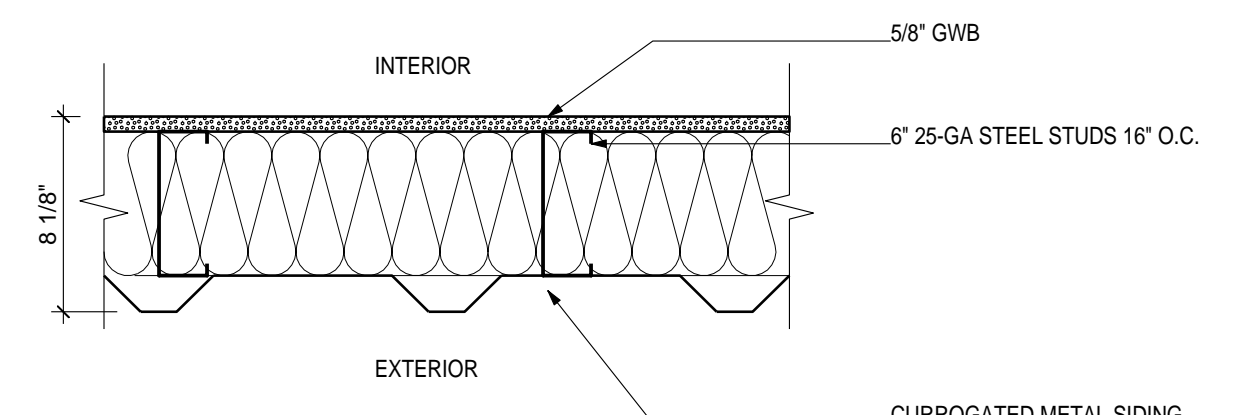
11 INTERIOR WALL TYPE 11:PLAN VIEW
SCALE: 1-1/2"=1'-0"



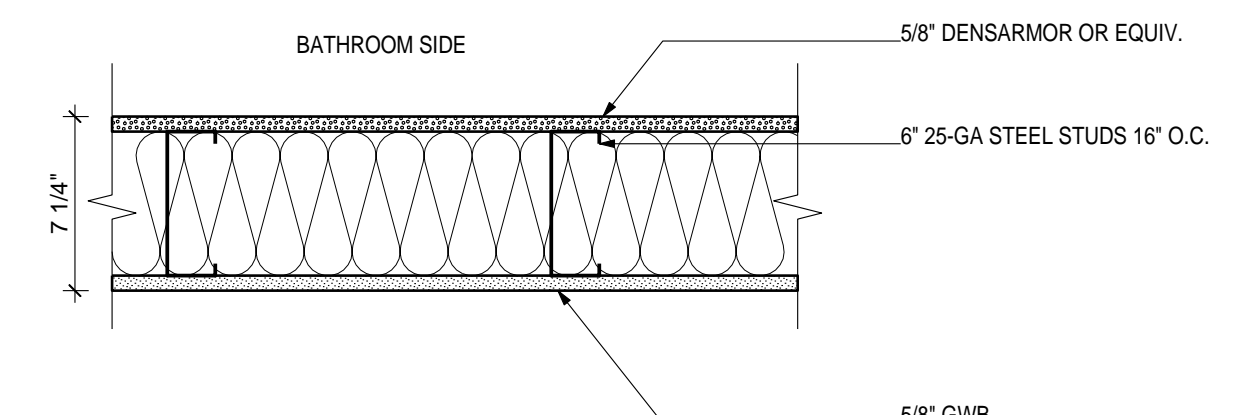
10 INTERIOR WALL TYPE 10:PLAN VIEW - ENTRY
SCALE: 1-1/2"=1'-0"



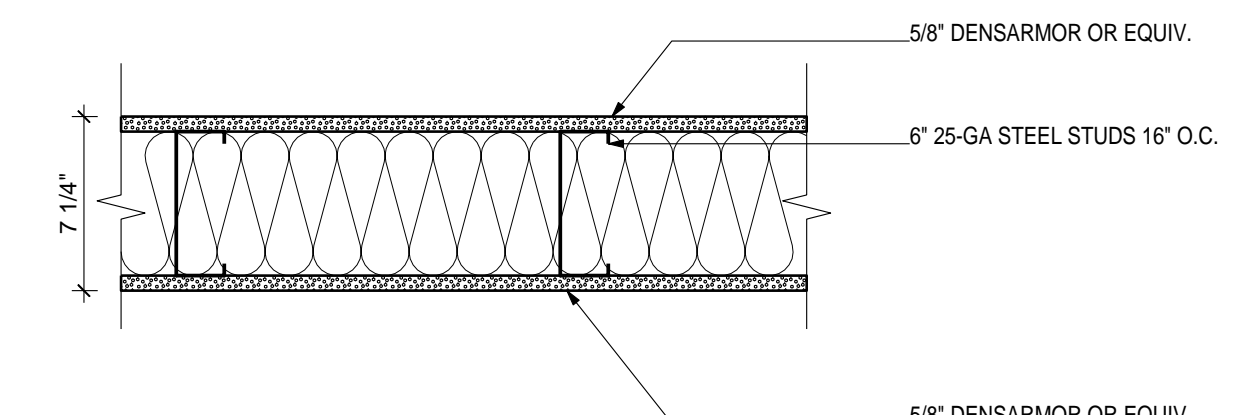
9 INTERIOR WALL TYPE 9:PLAN VIEW
SCALE: 1-1/2"=1'-0"



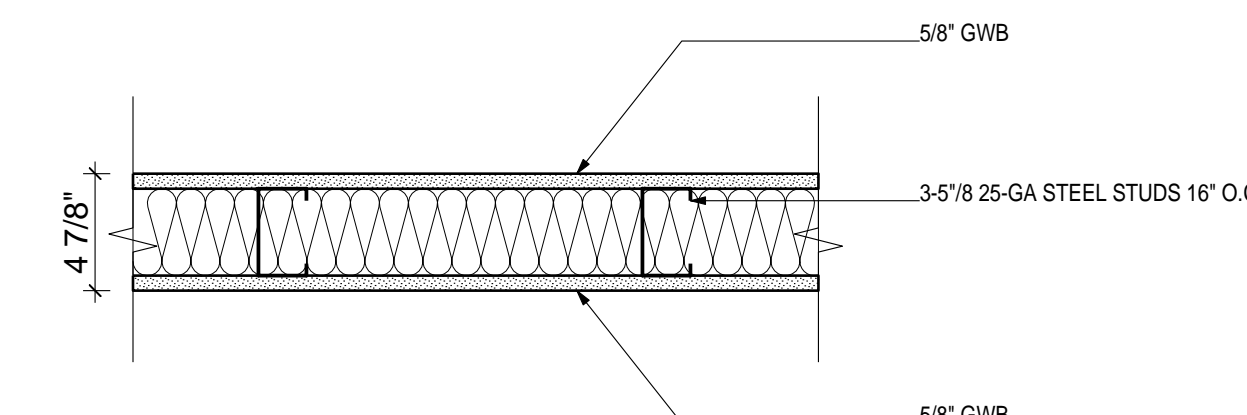
8 WALL TYPE 8:PLAN VIEW
SCALE: 1-1/2"=1'-0"



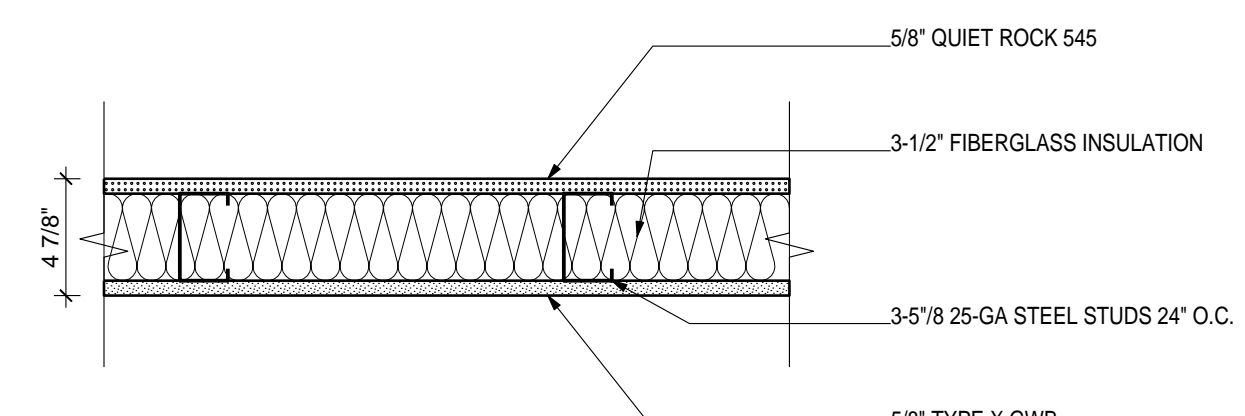
7 INTERIOR WALL TYPE 7:PLAN VIEW - PLUMBING WALL
SCALE: 1-1/2"=1'-0"



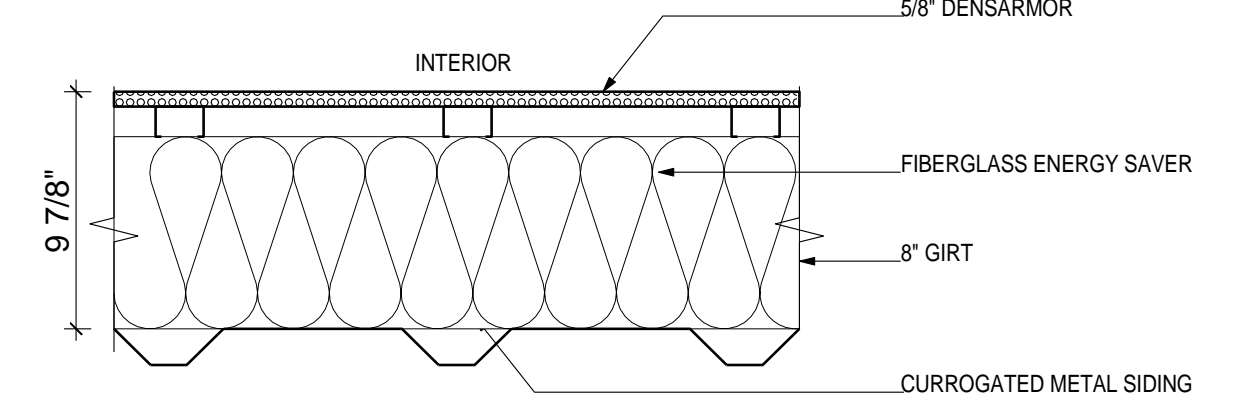
6 INTERIOR WALL TYPE 6:PLAN VIEW
SCALE: 1-1/2"=1'-0"



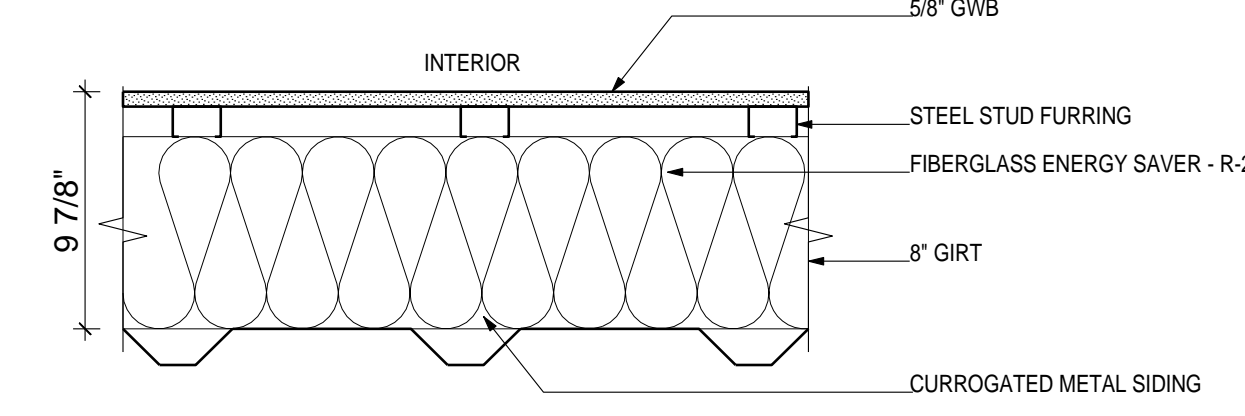
5 INTERIOR WALL TYPE 5:PLAN VIEW
SCALE: 1-1/2"=1'-0"



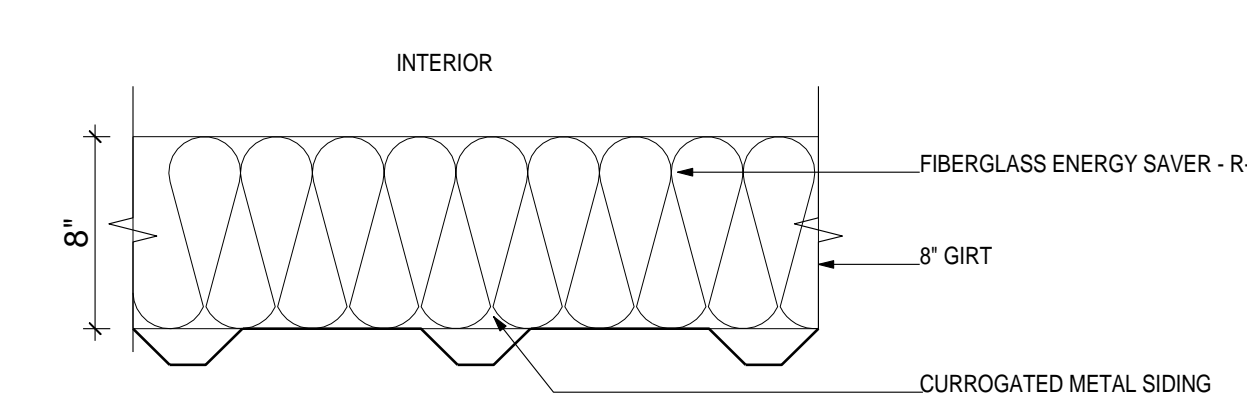
4 INTERIOR WALL TYPE 4:PLAN VIEW
SCALE: 1-1/2"=1'-0"



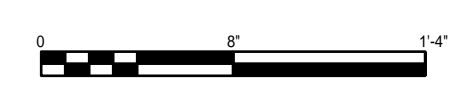
3 EXTERIOR WALL TYPE 3:PLAN VIEW
SCALE: 1-1/2"=1'-0"



2 EXTERIOR WALL TYPE 2:PLAN VIEW
SCALE: 1-1/2"=1'-0"



1 EXTERIOR WALL TYPE 1:PLAN VIEW
SCALE: 1-1/2"=1'-0"



NOTE: DO NOT SCALE DRAWINGS FOR CONSTRUCTION:
REFER TO DIMENSIONS AS MARKED

FOR CONSTRUCTION