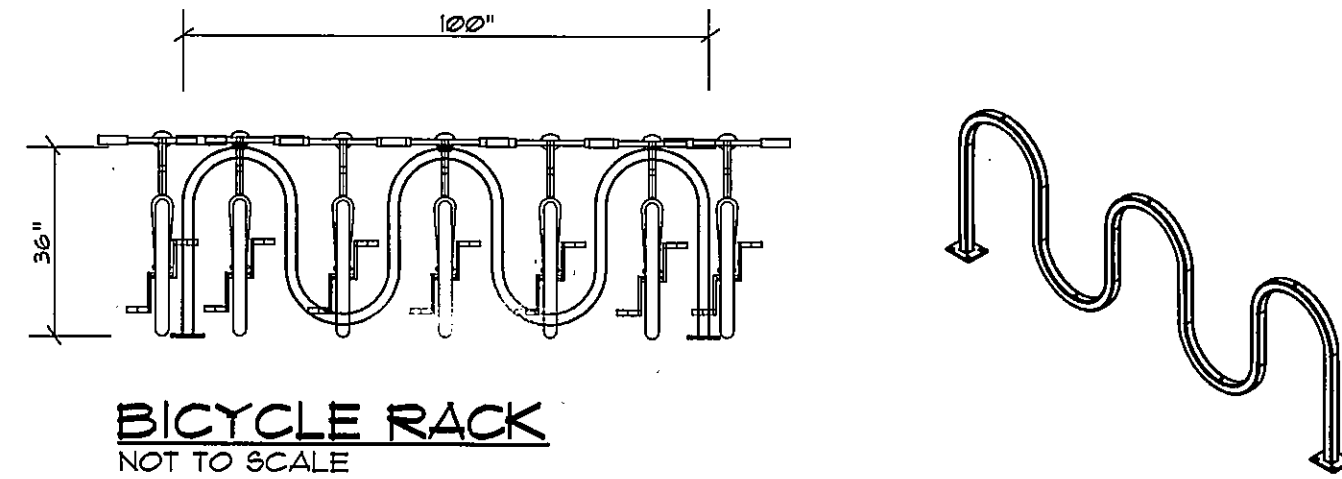


**DRIPLINE FILTRATION STRIP**

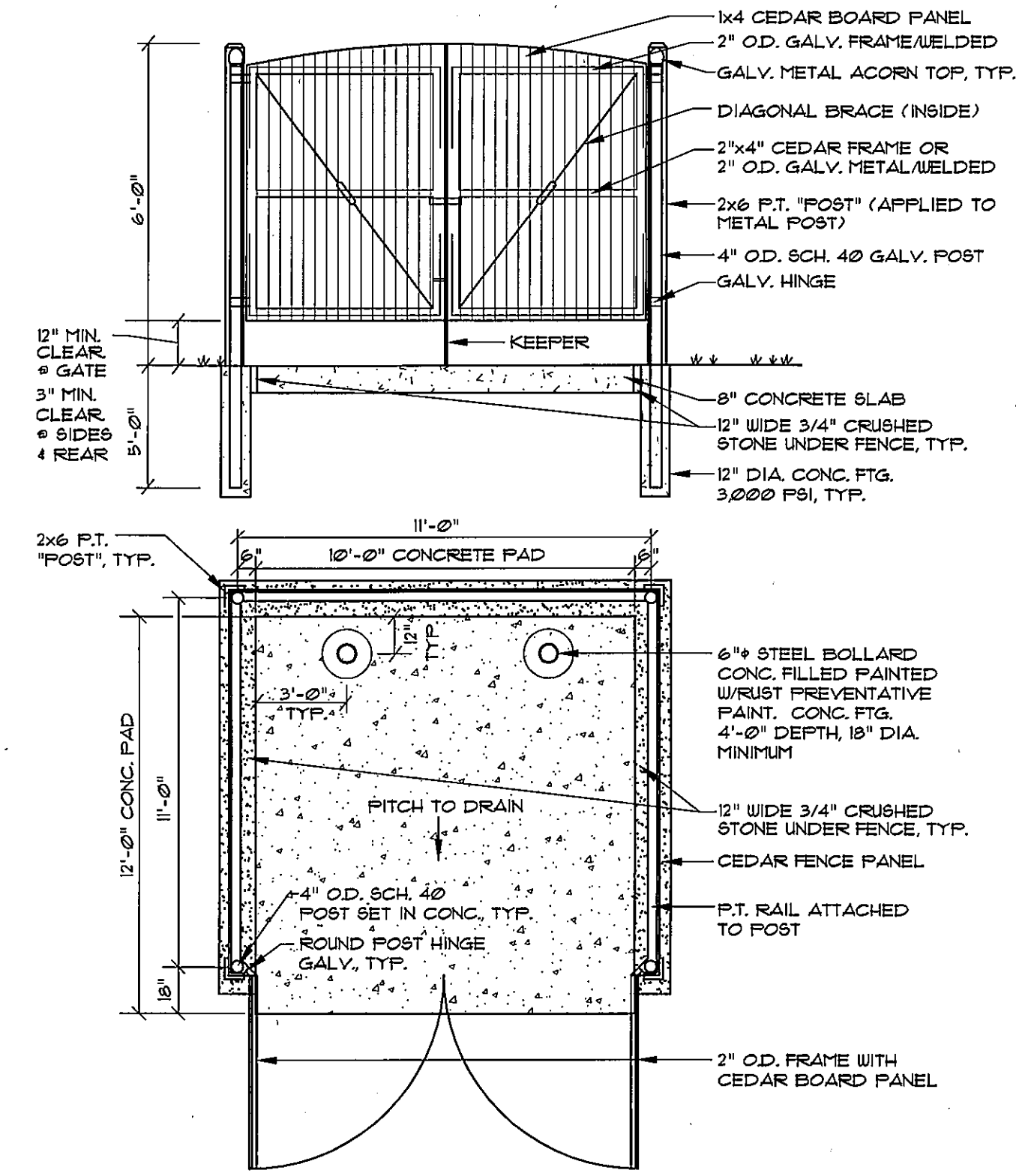
NOT TO SCALE  
NOTE: DETAIL SUBJECT TO CHANGE BUT WILL BE IN COMPLIANCE WITH MDEP STANDARDS.



**BICYCLE RACK**

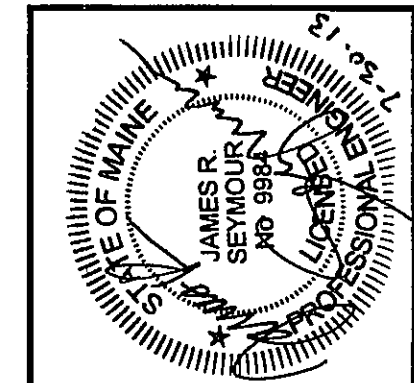
NOT TO SCALE

NOTES:  
1. BICYCLE RACK TO BE BROADWAY BRUSH BIKE RACK AS MANUFACTURED BY DERO BIKE RACKS OR CITY OF PORTLAND APPROVED EQUAL.



**TYPICAL DUMPSTER ENCLOSURE**

NOT TO SCALE



REV.	BY:	DATE:	STATUS:
B	JRS	07-30-2013	REVISED PER CITY REVIEW COMMENTS
A	JRS	07-01-2013	ISSUED FOR CITY REVIEW

**SEBAGO TECHNICALS**  
 WWW.SEAGOTECHNICALS.COM  
 75 John Roberts Rd., Suite 1A, 250 Goddard Rd., Suite B  
 Scarborough, ME 04076  
 Tel: 207-200-2100 Fax: 207-783-8558

PROJECT NO: 124060 | FIELD BOOK | DESIGN | CHKD | DRAWN | APP | JRS | APP

DETAILS  
 OF: EVOLUTION ROCK & FITNESS, LLC.  
 65 WARREN AVENUE  
 PORTLAND, MAINE  
 FOR: EVOLUTION ROCK & FITNESS, LLC  
 P.O. BOX 22  
 CONCORD, NEW HAMPSHIRE 03302