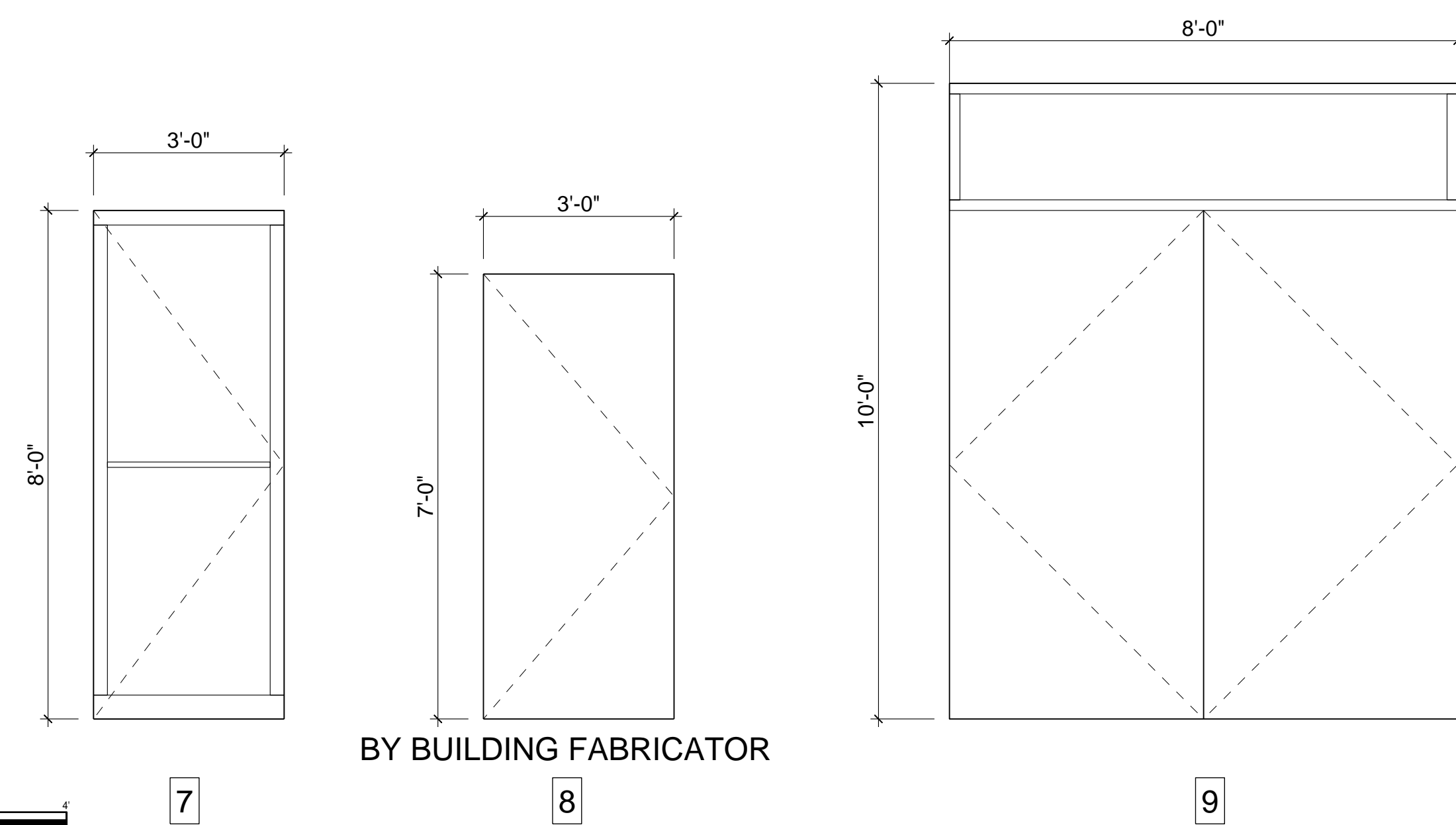
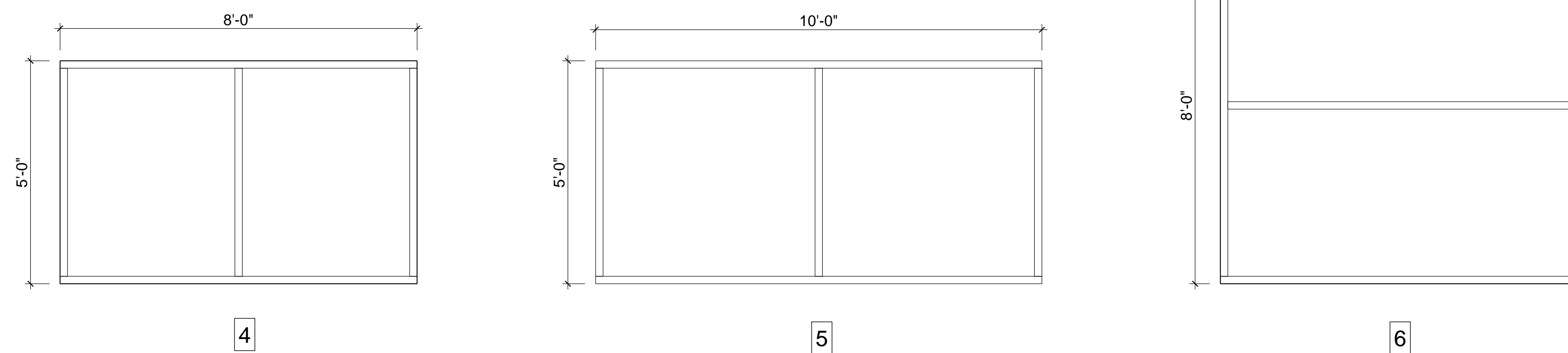
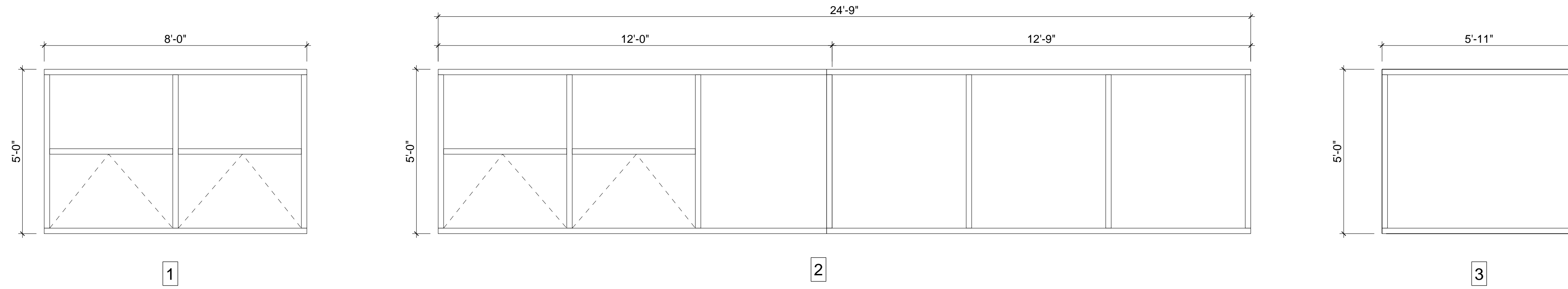


HILARY HARRIS, AIA  
LEED AP

PO BOX 22  
CONCORD, NH 03302  
PH: (603) 499-1239

EMAIL:  
hilyharris@gmail.com

**EVO ROCK & FITNESS**  
PORTLAND, ME



BY BUILDING FABRICATOR

**WINDOW AND DOOR SCHEDULE**

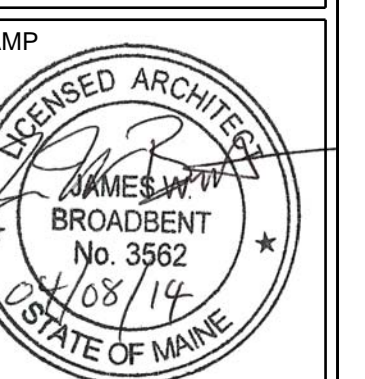
TAG#	QUANTITY	DESCRIPTION	SASH LIGHTS	SWING	WIDTH 9(INCH)	HEIGHT (INCH)
1	5	AWNING - 2 MULLED	2	AWNING	96	60
2	1	MULLED STOREFRONT	MIXED	FIXED	96	60
3	2	FIXED	1	FIXED	71	60
4	4	FIXED	2	FIXED	297	60
5	4	FIXED	1	FIXED	96	96
6	2	FIXED	1	R	36	96
7	2	FULL GLASS - AUTO OPENER	1	R	36	84
8	1	HOLLOW METAL - 1/2 GLASS	N/A	R	36	80
9	1	HOLLOW METAL DOUBLE DOOR - TRANSOM ABOVE	N/A	RAL	96	96

NOTE: DO NOT SCALE DRAWINGS FOR CONSTRUCTION:  
REFER TO DIMENSIONS AS MARKED

FOR CONSTRUCTION

ISSUE	
REMARKS	
FOR CONSTRUCTION	
BY	HBH
DATE	08APR14

DRAWING TITLE:  
**WINDOW  
DOOR  
SCHEDULE**



SCALE: 1/2"=1'-0"

DSN TEAM:

SHEET NUMBER:

**A-4.0**