

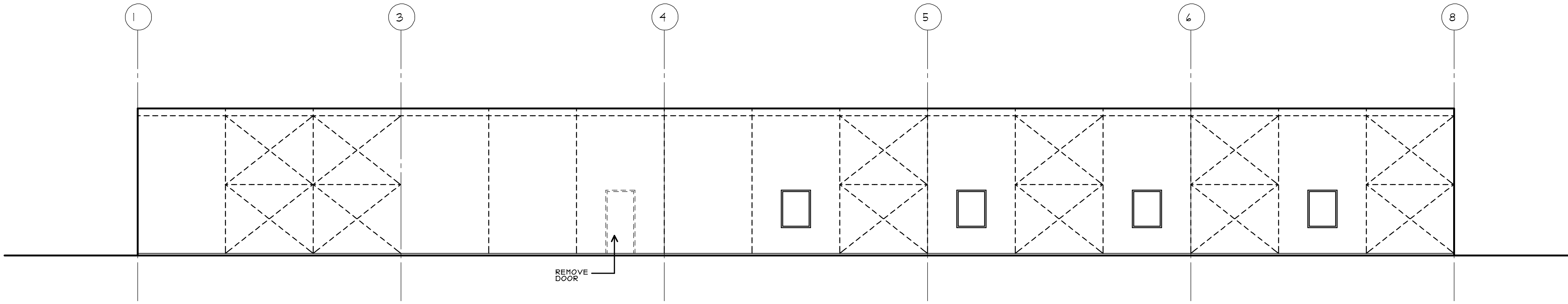
PARIS FARMERS UNION  
55 WARREN AVENUE  
PORTLAND, MAINE



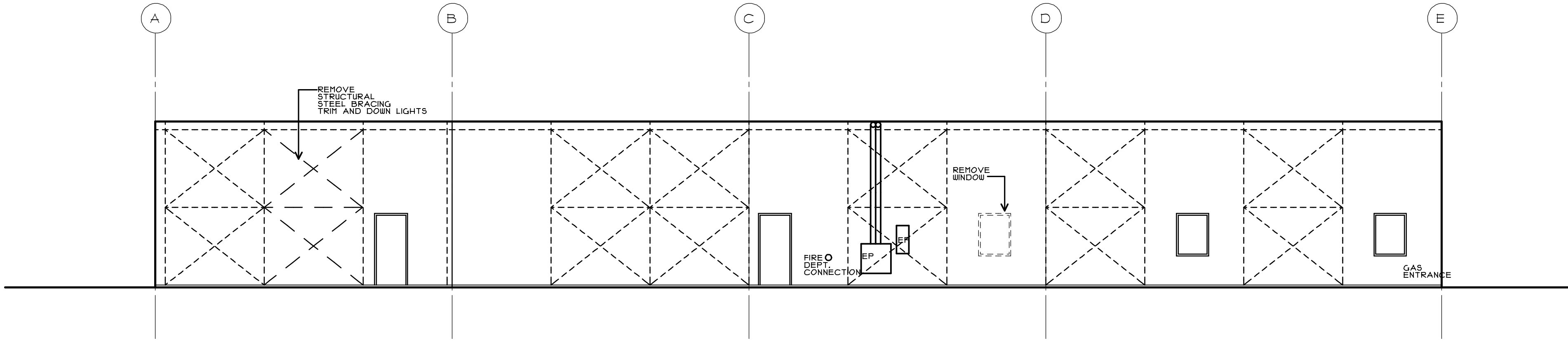
**SRL Architects**  
Bethel Portland  
93 Pitt Street  
Portland, ME 04103  
207.747-5975 voice  
822 Grover Hill Rd.  
Bethel, ME 04217  
207.824.7237 voice/fax  
info@smithreuter.com

EXISTING AND NEW EXTERIOR ELEVATIONS

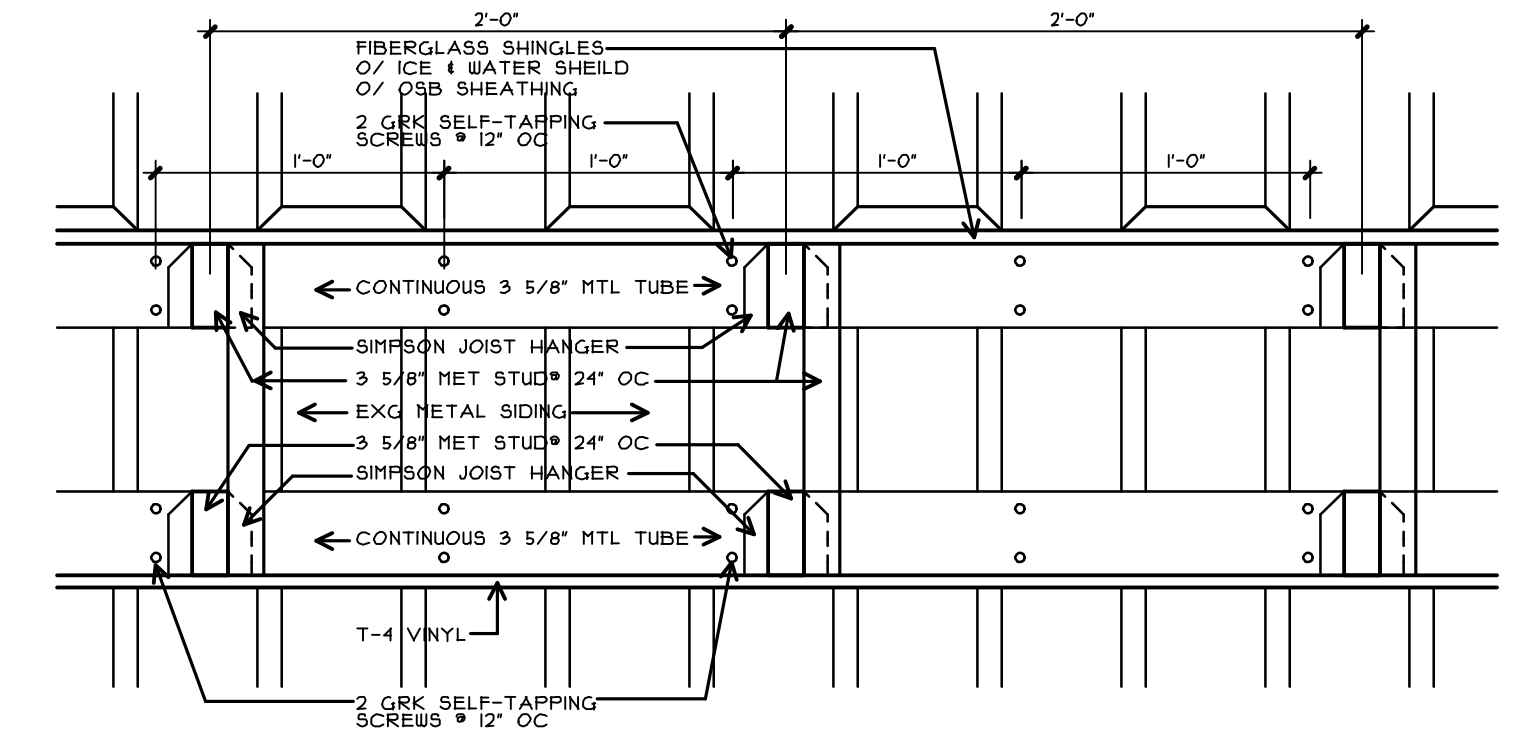
215-3  
09/11/14  
**A4**



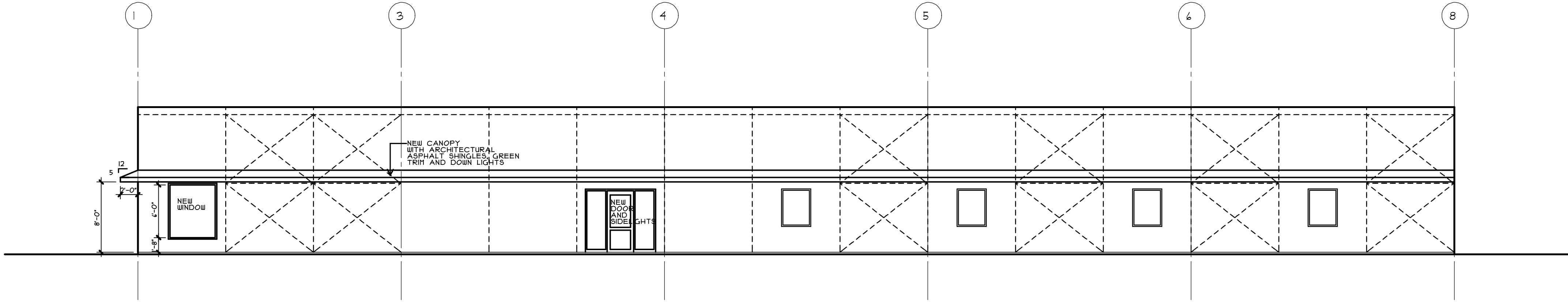
**(A) EXISTING SOUTH ELEVATION**  
1/8" = 1'-0"



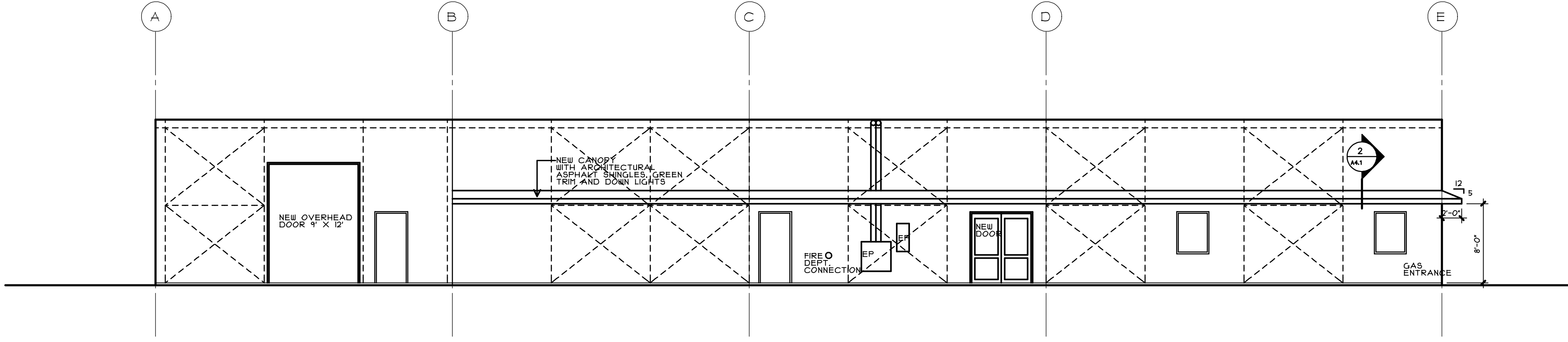
**(B) EXISTING WEST ELEVATION**  
1/8" = 1'-0"



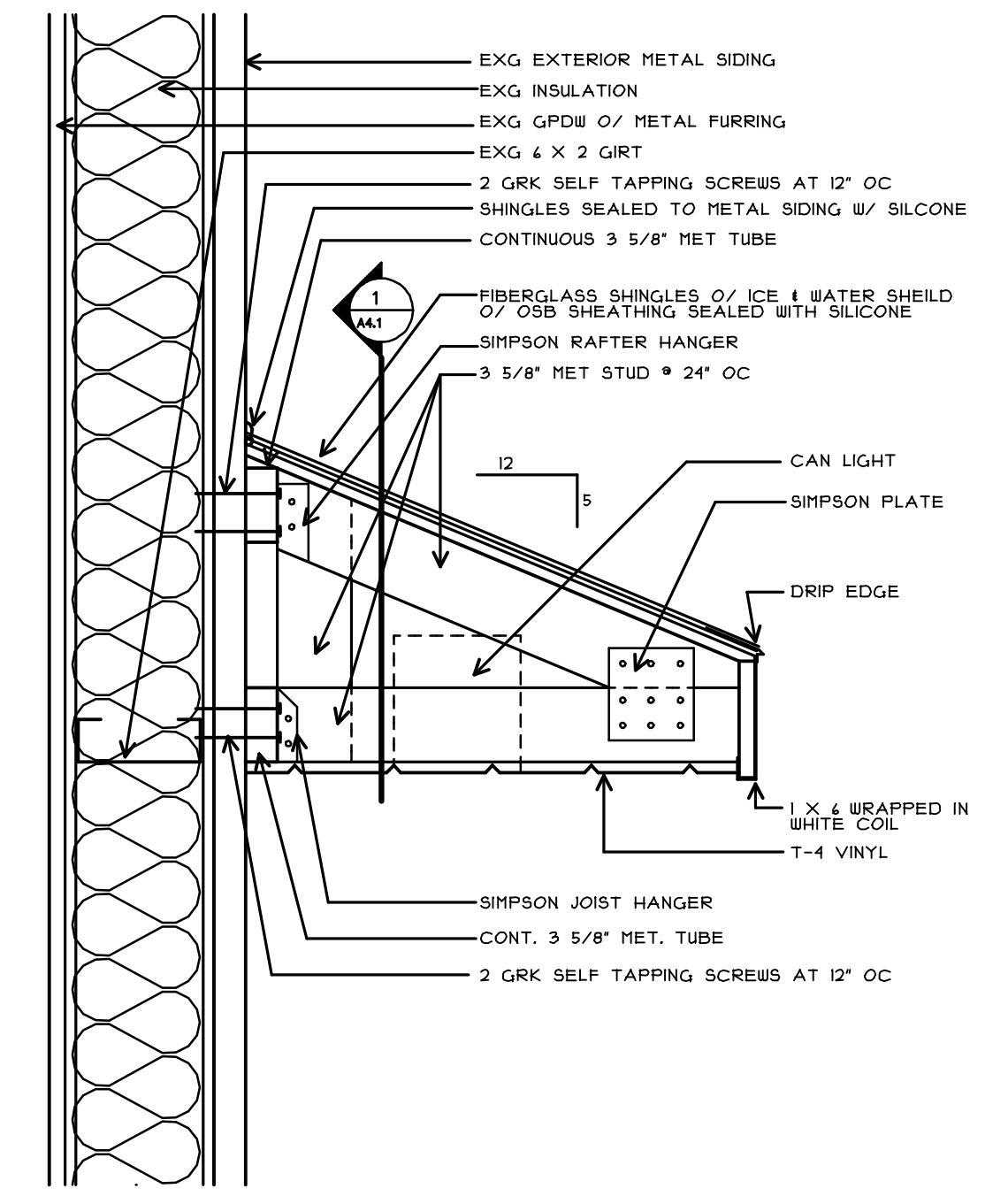
**1 CANOPY DETAIL**  
1 1/2" = 1'-0"



**(C) NEW SOUTH ELEVATION**  
1/8" = 1'-0"



**(D) NEW WEST ELEVATION**  
1/8" = 1'-0"



**2 CANOPY DETAIL**  
1 1/2" = 1'-0"