

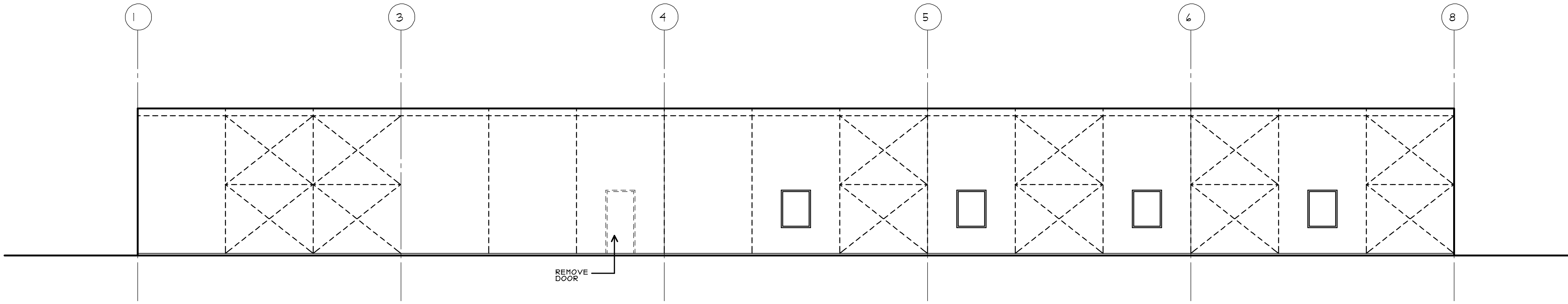
PARIS FARMERS UNION
55 WARREN AVENUE
PORTLAND, MAINE



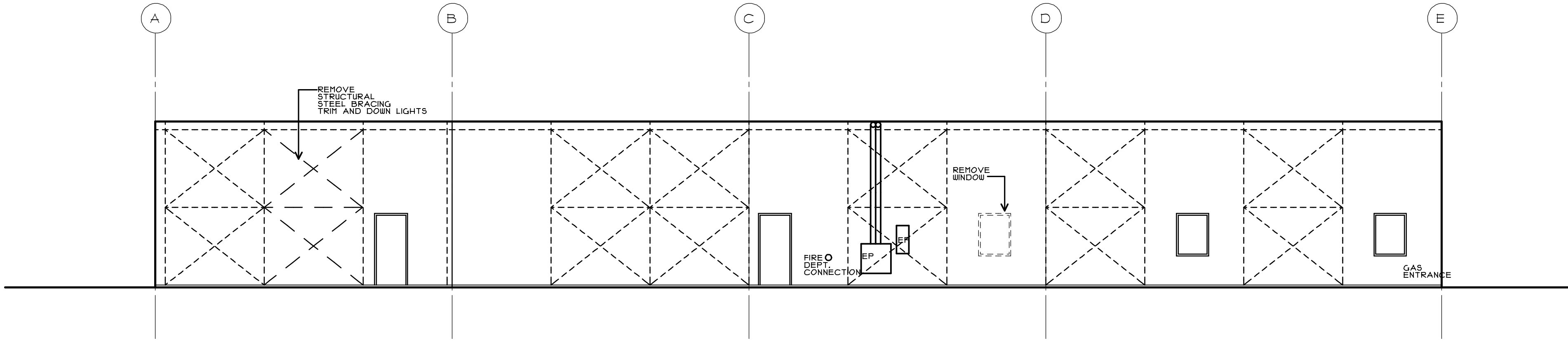
SRL Architects
Bethel Portland
93 Pitt Street
Portland, ME 04103
207.747-5975 voice
822 Grover Hill Rd.
Bethel, ME 04217
207.824.7237 voice/fax
info@smithreuter.com

EXISTING AND NEW
EXTERIOR ELEVATIONS

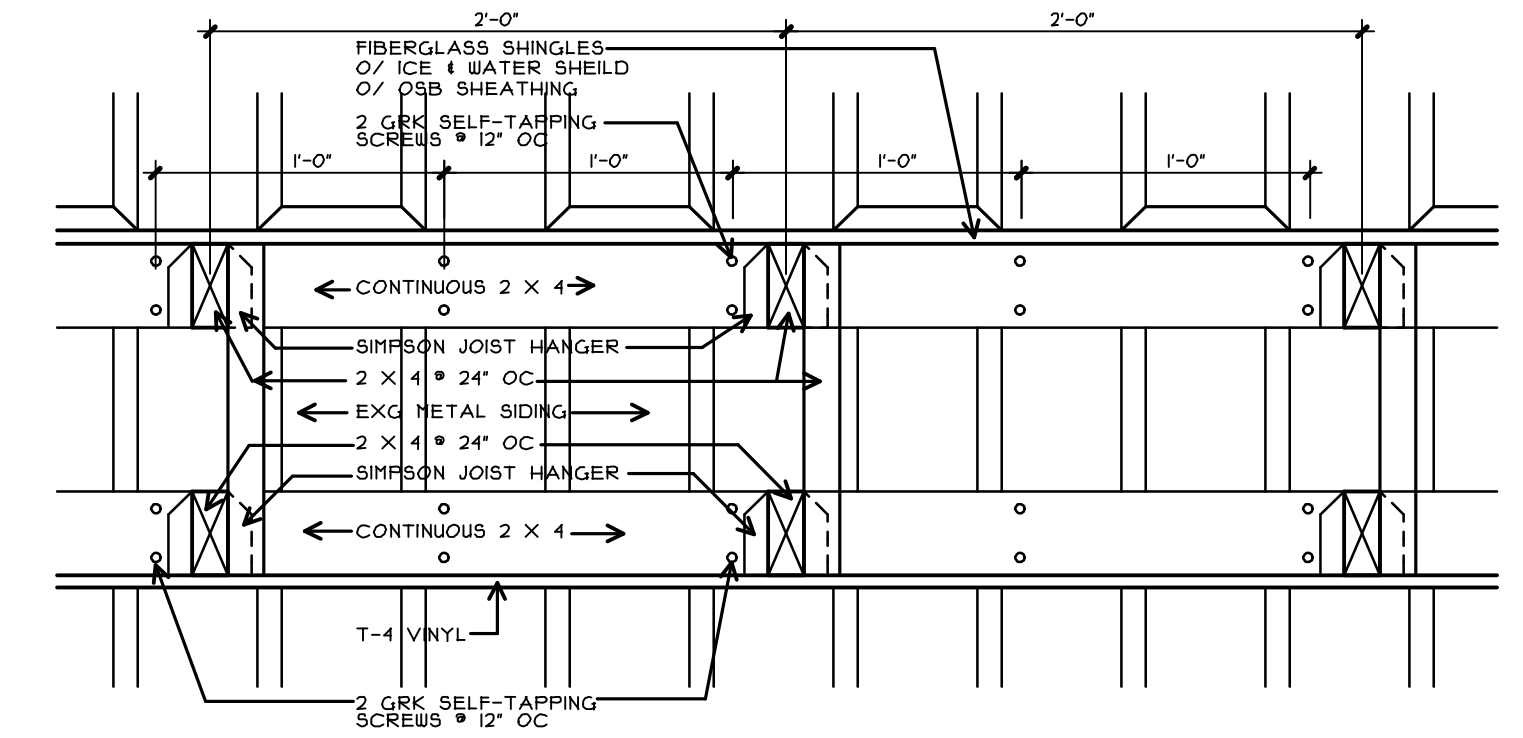
215-3
09/11/14
A4



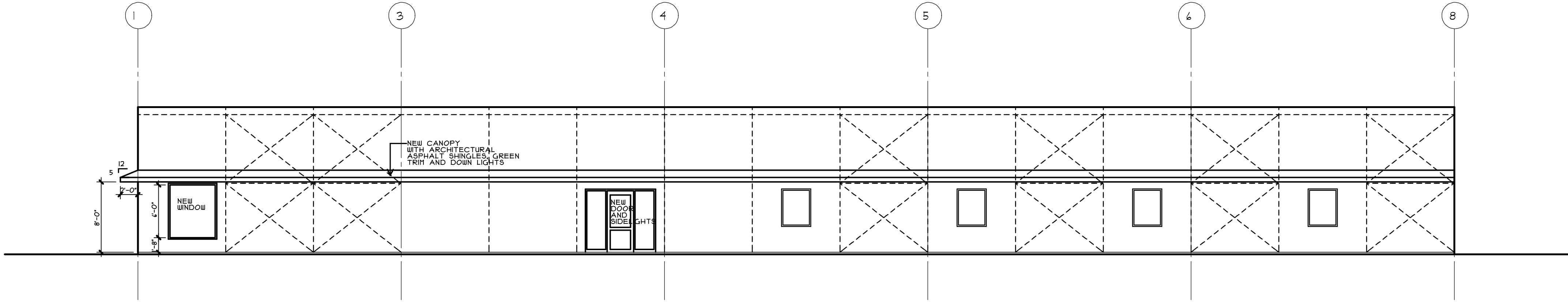
(A) EXISTING SOUTH ELEVATION
1/8" = 1'-0"



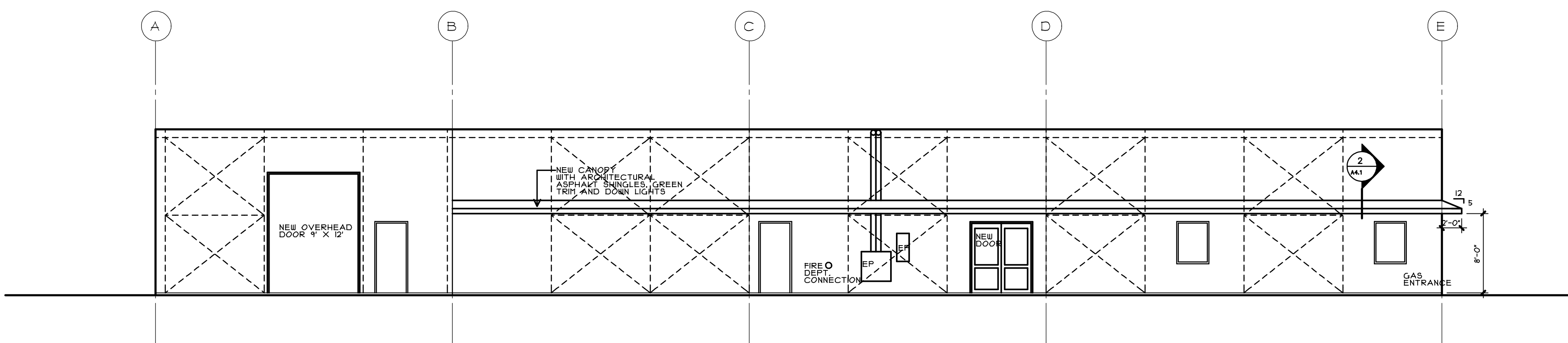
(B) EXISTING WEST ELEVATION
1/8" = 1'-0"



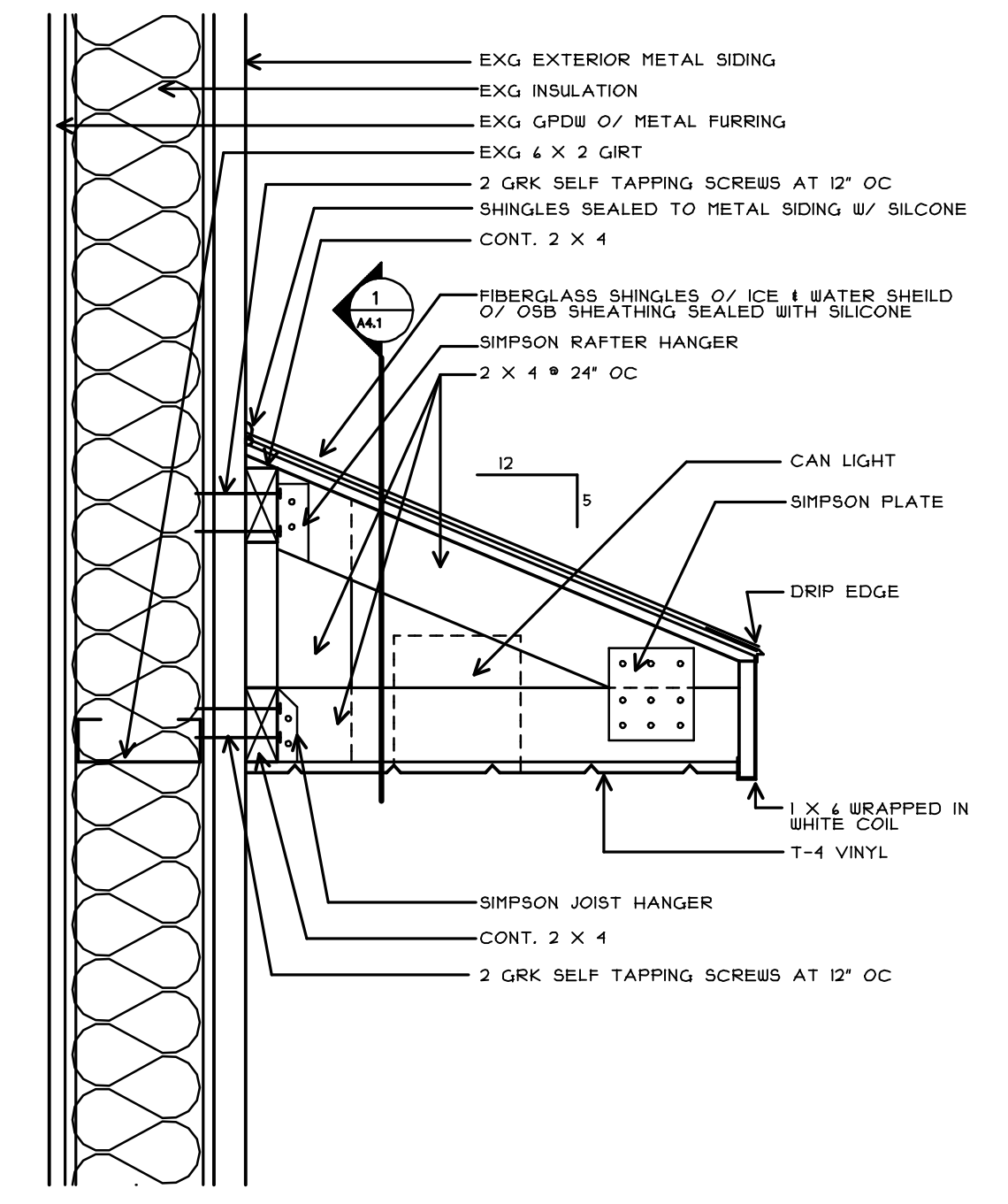
(1) CANOPY DETAIL
1 1/2" = 1'-0"



(C) NEW SOUTH ELEVATION
1/8" = 1'-0"



(D) NEW WEST ELEVATION
1/8" = 1'-0"



(2) CANOPY DETAIL
1 1/2" = 1'-0"