

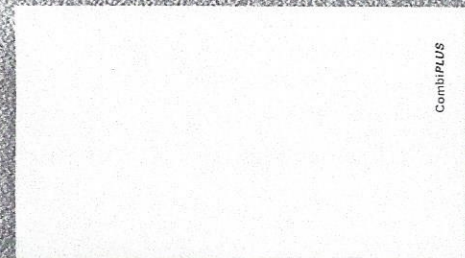
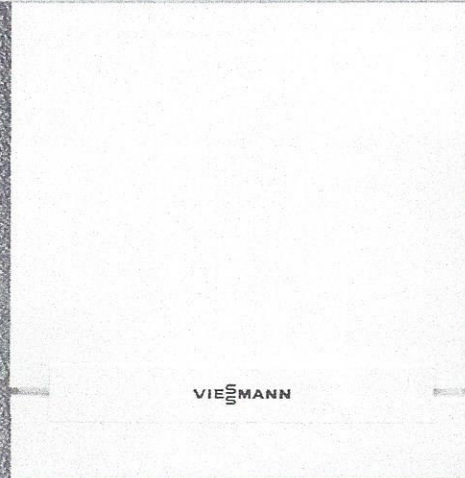
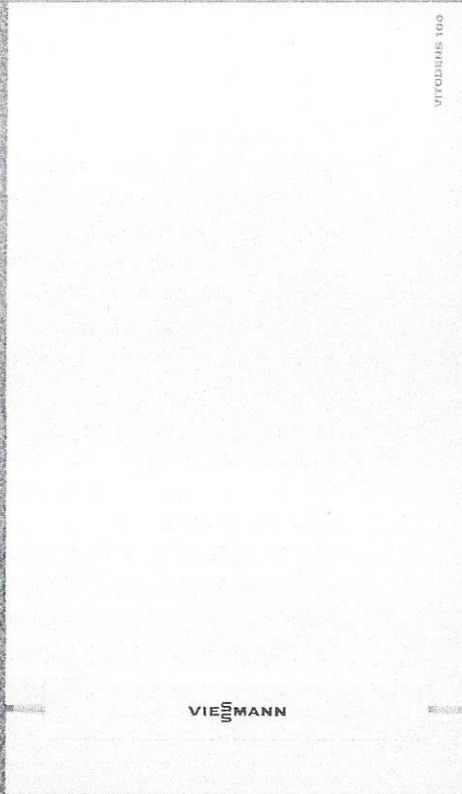
Gas Condensing Technology

VITODENS 100-W

with optional CombiPLUS Kit for on-demand DHW

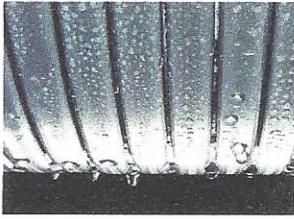
VIESSMANN®

climate of innovation®

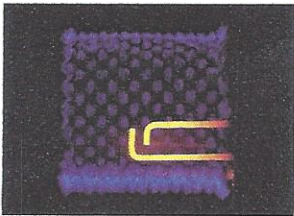


Gas Condensing Technology

Vitodens 100-W – 37 to 118 MBH Space Heating Boiler with Optional Combi**PLUS** Kit for On-Demand DHW



Stainless steel, Viessmann-made Inox-Radial heat exchanger



Low-emission, Viessmann-made MatriX cylinder burner

Every home. Every budget.

With its outstanding design and price/performance ratio, the Vitodens 100 is the perfect mix of performance and value. Its compact design, zero clearance to combustibles and extremely quiet operation make the Vitodens 100 an ideal choice even in the smallest spaces. Plus, with a limited residential lifetime warranty, you can be sure your investment will deliver long-lasting, value year after year.

Reliable and consistent performance

Stainless steel is the best choice for long-term reliability. That's why the Vitodens 100 is equipped with a stainless steel Inox-Radial heat exchanger and MatriX cylinder burner. Developed and manufactured by Viessmann, these high-quality stainless steel components maximize performance and reliability. Plus, the "self-cleaning" heat exchanger contributes to the boiler's long service life and dependable performance.

Outstanding versatility

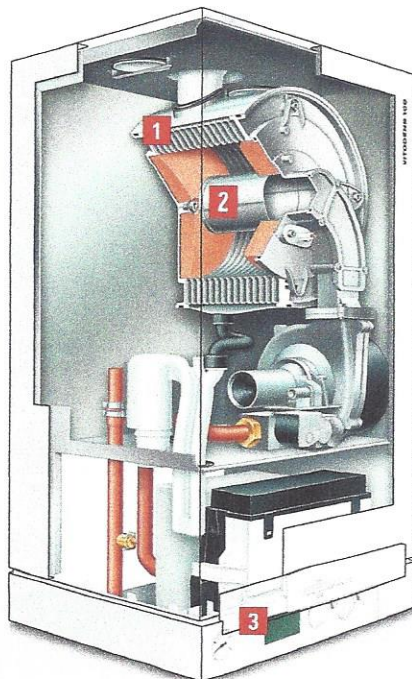
The Vitodens 100 offers the right solution for every demand – from multiple venting options to fuel flexibility (NG or LP) right out of the box. Plus, installation, service and maintenance are designed to be fast and easy with all pipe connections located at the bottom and serviceable components easily accessible from the front. You'll save time and money with fast service and maintenance calls.

Helps you save

Select an easy-to-use room thermostat, or, for greater control and additional energy savings, utilize the boiler's on-board control, which automatically adjusts the boiler water to outdoor temperatures. This not only boosts fuel savings, but also keeps your home warm and comfortable at all times.

On-demand DHW with optional Combi**PLUS** Kit

With the new Combi**PLUS** Kit add on-demand domestic hot water (DHW) to your new Vitodens 100 space heating boiler and say goodbye to your DHW tank. Enjoy DHW at the snap of your fingers all day long with an outstanding flow rate of up to 3.6 GPM[†], plus added cost savings with the energy-saving on-demand indirect-fired design. Slightly bigger than a large shoe box, the Combi**PLUS** Kit installs underneath or beside the boiler and requires only minimal piping and electrical connections. Featuring stainless steel heat exchanger, pressure bypass valve, DHW temperature and flow sensors, 3-speed pump, 3-way diverting valve, and Low Lead Content Certification (NSF/ANSI 372), get reliable DHW day after day.



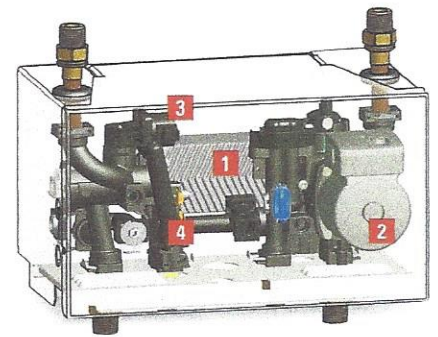
- 1 Inox-Radial heat exchanger
- 2 Modulating MatriX cylinder burner
- 3 On-board boiler control



Product may not be exactly as shown.



- 1 Stainless steel plate-type heat exchanger
- 2 3-speed DHW and space heating pump
- 3 3-way diverting valve
- 4 Water hammer arrestor



Optional CombiPLUS Kit

Benefits at a glance — Vitodens 100-W

- Fits any home and budget with high performance at an attractive price
- Exceeds Energy Star® Efficiency Requirements
- Lasting performance with proven Viessmann SA240 316 Ti stainless steel Inox-Radial heat exchanger constructed to CSA B51 and ASME Section IV
- Low-emission combustion with fully-modulating Viessmann stainless steel Matrix cylinder burner for natural gas or propane; factory calibrated
- Versatile on-board Viessmann boiler control interfaces with most external controls; integrated OpenTherm® communication ability; energy-saving outdoor temperature sensor standard
- Greater venting flexibility with vent length up to 200' and multiple venting options; new rigid and flexible PP(s) vent options
- Suitable for altitude levels of up to 10,000 ft. / 3,000 m
- Easy installation and service with pipe connections located at the bottom and serviceable components accessible from the front
- Extremely quiet operation; quieter than most refrigerators
- Limited lifetime warranty in residential applications
- Easy expansion with CombiPLUS Kit for energy-saving, on-demand DHW

Benefits — Vitodens 100-W with CombiPLUS Kit

- All the benefits of a Vitodens 100 boiler, plus on-demand domestic hot water (DHW) with optional CombiPLUS Kit
- DHW at the snap of your fingers all day long! Up to 3.6 GPM†
- Energy-saving and low-cost, on-demand indirect-fired DHW production
- Certified to NSF/ANSI 372 for Low Lead Content
- Reduced energy waste with fully-modulating input from boiler
- Space-saving and lightweight wall-mount design; more compact than any other hot water heater
- Virtually silent DHW production
- Easy installation with piping and electrical connections included
- Quality you can count on! Stainless steel heat exchanger, built-in pressure bypass and 150 psig working pressure rating
- Reliable and consistent DHW supply with built-in DHW temperature and flow sensors
- Complete space / DHW heating management by boiler control, powerful built-in 3-speed pump and diverting valve
- Eliminates need for DHW storage tank in many lower-load applications; great fit for apartments, condos, cottages, single-family homes, or installs where space is at a premium

† At a 63 °F maximum temperature rise with Vitodens 100, WB1B-35

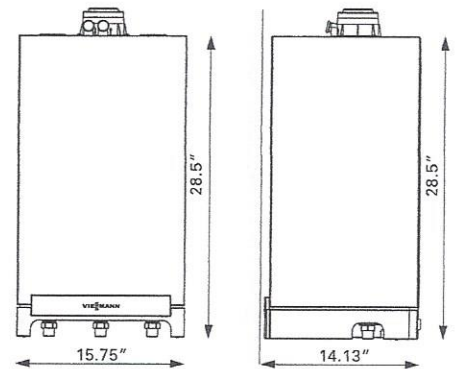
Viessmann Manufacturing
Company Inc.
Waterloo, ON Canada
1-800-387-7373
www.viessmann.ca

Viessmann Manufacturing
Company (U.S.) Inc.
Warwick, RI U.S.A.
1-800-288-0667
www.viessmann.us

Technical Data

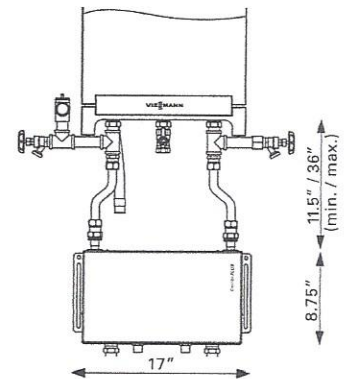
Vitodens 100-W, WB1B wall-mounted condensing boiler

Model	WB1B	26	35
Rated input	MBH	37 - 91	37 - 118
Efficiency	% AFUE	94%	94%
Altitude Levels	ft.	up to 10,000 ft.	up to 10,000 ft.
Dimensions (inches)	Depth	14.13	14.13
	Width	15.75	15.75
	Height	28.5	28.5
Weight	lbs	78	78



Optional CombiPLUS Kit for on-demand DHW

Connected to Model	WB1B	26	35
DHW Supply Temperature	°F / °C	140 / 60	140 / 60
Continuous Draw Rate	USG/h	156 [†]	216 [†]
Dimensions (inches)	Depth	9.88	9.88
	Width	17	17
	Height	8.75	8.75
Weight	lbs	25	25
Min. / Max. distance between boiler and CombiPLUS Kit	Inches	11.5 / 36	11.5 / 36



[†] At 63 °F maximum temperature rise.

