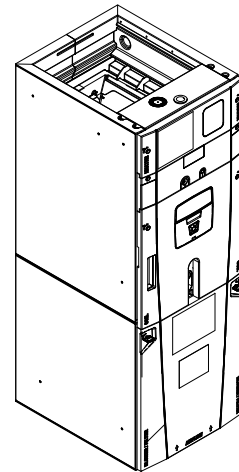


Submittal

Variable Speed Convertible Air Handler 3 Ton

TAM9A0C36V31DA



Note: "Graphics in this document are for representation only. Actual model may differ in appearance."

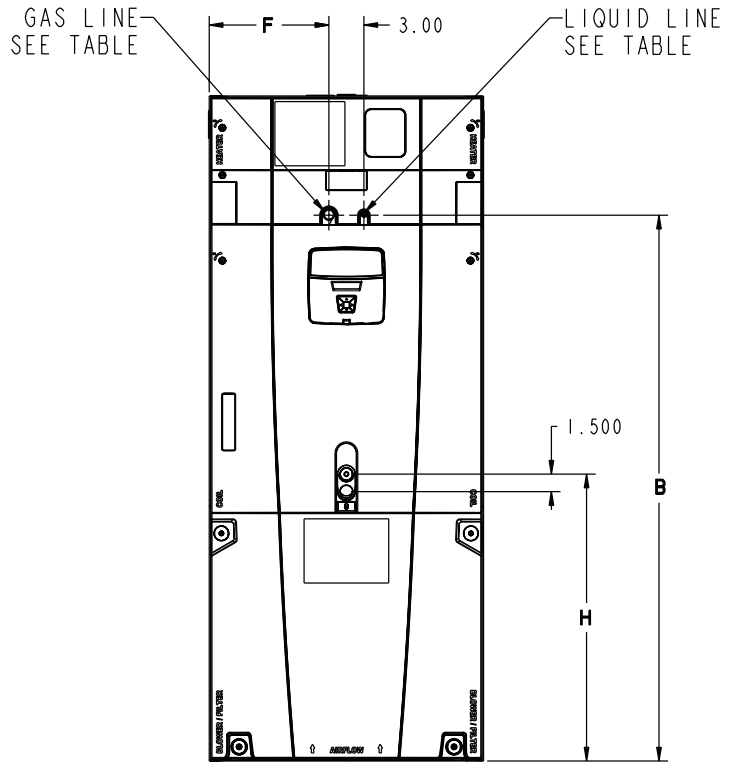
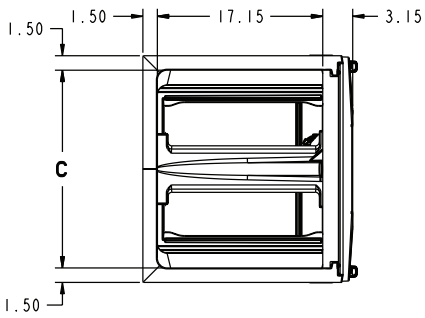
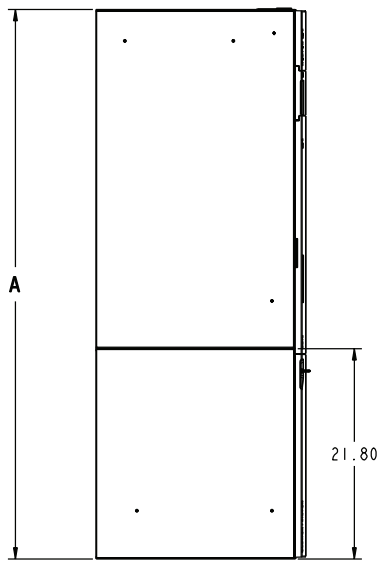
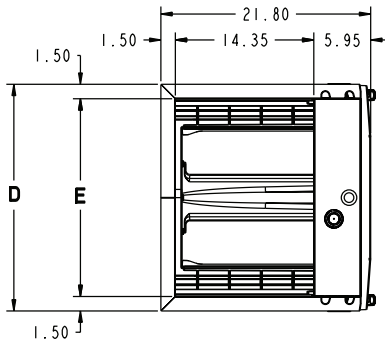
Note: For use with BAYEA series heaters ONLY

TAG: _____

▲ SAFETY WARNING

Only qualified personnel should install and service the equipment. The installation, starting up, and servicing of heating, ventilating, and air-conditioning equipment can be hazardous and requires specific knowledge and training. Improperly installed, adjusted or altered equipment by an unqualified person could result in death or serious injury. When working on the equipment, observe all precautions in the literature and on the tags, stickers, and labels that are attached to the equipment.

TAM9 OUTLINE DRAWING



MINIMUM UNIT CLEARANCE TABLE	
	SERVICE CLEARANCE (RECOMMENDED)
SIDES	2"
FRONT	21"
BACK	0"
INLET DUCT	
OUTLET DUCT	

NOTE: THIS UNIT IS APPROVED FOR INSTALLATION CLEARANCES TO COMBUSTIBLE MATERIAL AS STATED ON THE UNIT RATING NAMEPLATE

Model Number	A	B	C	D	E	F	H	FLOW CONTROL	GAS LINE BRAZE	LIQ LINE BRAZE
TAM9A0C36H31DA	56.9	46.7	20.5	23.5	20.5	10.3	24.2	EEV	7/8	3/8

PRODUCT SPECIFICATIONS

MODEL	TAM9A0C36V31DA
RATED VOLTS/PH/HZ.	200 — 230/1/60
RATINGS ^(a)	See O.D. Specifications
INDOOR COIL — Type	Plate Fin
Rows — F.P.I.	3 — 14
Face Area (sq. ft.)	5.50
Tube Size (in.)	3/8
Refrigerant Control	EEV
Drain Conn. Size (in.) ^(b)	3/4 NPT
DUCT CONNECTIONS	See Outline Drawing
INDOOR FAN — Type	Centrifugal
Diameter-Width (In.)	11 x 10
No. Used	1
Drive — No. Speeds	Direct — Variable
CFM vs. in. w.g.	See Fan Performance Table
No. Motors — H.P.	1 — 1/2
Motor Speed RPM	Variable ECM
Volts/Ph/Hz	208-230/1/60
F.L. Amps	3.0 — 3.5
FILTER	
Filter Furnished?	No
Type Recommended	Throwaway
No.-Size-Thickness	1 — 22 x 20 — 1 in.
REFRIGERANT	R-410A
Ref. Line Connections	Brazed
Coupling or Conn. Size-in. Gas	7/8
Coupling or Conn. Size-in. Liq.	3/8
DIMENSIONS	H x W x D
Crated (In.)	58 x 25.5 x 24.5
Uncrated	56.9 x 23.5 x 21.8
WEIGHT	
Shipping (Lbs.)/Net (Lbs.)	157/146

^(a) These Air Handlers are AHRI certified with various Split System Air Conditioners and Heat Pumps (AHRI STANDARD 210/240).

^(b) 3/4" Male Plastic Pipe (Ref.:ASTM 1785-76)

HEATER ATTRIBUTE DATA

Note: Heater size must be set in Configuration Menu.

TAM9A0C36V31DA											
Heater Model No.	No. of Circuits	240 Volt					208 Volt				
		Capacity		Heater Amps per Circuit	Minimum Circuit Ampacity	Maximum Overload Protection	Capacity		Heater Amps per Circuit	Minimum Circuit Ampacity	Maximum Overload Protection
		kW	BTUH				kW	BTUH			
No Heater	0	-	-	3.5 **	4	15	-	-	3.5 **	4	15
BAYEAAC04++1	1	3.84	13100	16.0	24	25	2.88	9800	13.8	22	25
BAYEAAC05++1	1	4.80	16400	20.0	29	30	3.60	12300	17.3	26	30
BAYEAAC08++1	1	7.68	26200	32.0	44	45	5.76	19700	27.7	39	40
BAYEAAC10++1	1	9.60	32800	40.0	54	60	7.20	24600	34.6	48	50
BAYEAAC10LG3	1-3 PH	9.60	32800	23.1	33	35	7.20	24600	20.0	29	30
BAYEABC15LG3	1-3 PH	14.40	42000	34.6	47	50	10.80	36900	30.0	41	45
BAYEABC15BK1 - Circuit 1 (a)	2	9.60	32800	40.0	54	60	7.20	24600	34.6	48	50
BAYEABC15BK1 - Circuit 2		4.80	16400	20.0	25	25	3.60	12300	17.3	22	25
BAYEABC20BK1 - Circuit 1 (a)	2	9.60	32800	40.0	54	60	7.20	24600	34.6	48	50
BAYEABC20BK1 - Circuit 2		9.60	32800	40.0	50	50	7.20	24600	34.6	43	45

Note: ** Motor Amps

(a) MCA and MOP for circuit 1 contains the motor amps

Note: See Product Data or Air Handler nameplate for approved combinations of Air Handlers and Heaters.

Note: Heater model numbers may have additional suffix digits.

TAM9 Air Flow Performance Tables

TAM9A0C36 AIRFLOW PERFORMANCE CONSTANT CFM MODE / CONSTANT TORQUE MODE														
OUTDOOR MULTIPLIER (TONS)	COOLING AIRFLOW SETTING	AIRFLOW POWER	EXTERNAL STATIC PRESSURE (Constant CFM / Constant Torque)				HEATING AIRFLOW SETTING	AIRFLOW POWER	EXTERNAL STATIC PRESSURE					
			0.1	0.3	0.5	0.7			0.9	0.1	0.3	0.5	0.7	0.9
2 tons	290 CFM/ton	CFM Watts	605/747	573/565	553/306	548/NA	546/NA	290 CFM/ton	CFM Watts	606	574	557	551	549
	370 CFM/ton	CFM Watts	755/880	745/738	737/575	738/367	735/NA	350 CFM/ton	CFM Watts	31	58	87	119	152
	400 CFM/ton	CFM Watts	50/70	85/85	121/93	160/97	197/NA	400 CFM/ton	CFM Watts	720	705	695	694	691
	450 CFM/ton	CFM Watts	810/929	804/797	800/650	802/478	816/120	450 CFM/ton	CFM Watts	43	77	111	148	184
	290 CFM/ton	CFM Watts	900/1011	902/764	902/624	905/624	906/462	290 CFM/ton	CFM Watts	810	805	800	803	802
2.5 tons	370 CFM/ton	CFM Watts	75/98	118/117	162/129	207/136	251/140	450 CFM/ton	CFM Watts	56	90	134	174	214
	400 CFM/ton	CFM Watts	742/891	729/752	722/592	721/394	720/NA	290 CFM/ton	CFM Watts	900	900	903	906	907
	450 CFM/ton	CFM Watts	48/72	82/87	118/96	155/99	193/NA	450 CFM/ton	CFM Watts	72	115	159	204	248
	290 CFM/ton	CFM Watts	922/1055	923/942	927/820	930/690	931/546	290 CFM/ton	CFM Watts	742	731	722	722	720
	370 CFM/ton	CFM Watts	80/109	124/128	170/142	215/150	260/154	350 CFM/ton	CFM Watts	46	81	117	154	191
3 tons †	400 CFM/ton	CFM Watts	989/1118	995/1012	1002/899	1008/779	1010/652	400 CFM/ton	CFM Watts	877	877	876	880	880
	450 CFM/ton	CFM Watts	95/127	143/148	193/163	242/173	290/177	400 CFM/ton	CFM Watts	68	110	152	196	239
	290 CFM/ton	CFM Watts	1103/1228	1117/1131	1129/1028	1137/921	1137/809	450 CFM/ton	CFM Watts	989	995	1000	1008	1008
	370 CFM/ton	CFM Watts	125/162	181/185	238/203	294/215	346/221	450 CFM/ton	CFM Watts	90	139	188	258	285
	400 CFM/ton	CFM Watts	872/1009	871/890	871/761	874/620	874/457	290 CFM/ton	CFM Watts	1102	1116	1127	1137	1138
3.5 tons	370 CFM/ton	CFM Watts	70/97	111/116	154/128	197/135	240/139	350 CFM/ton	CFM Watts	119	175	231	288	340
	400 CFM/ton	CFM Watts	1089/1214	1102/1116	1114/1013	1121/905	1122/791	350 CFM/ton	CFM Watts	871	872	871	874	875
	450 CFM/ton	CFM Watts	121/157	176/180	232/198	287/209	339/215	400 CFM/ton	CFM Watts	67	109	151	195	237
	290 CFM/ton	CFM Watts	1175/1298	1193/1205	1208/1107	1215/1006	1211/899	400 (a) CFM/ton	CFM Watts	1033	1043	1051	1059	1061
	370 CFM/ton	CFM Watts	147/188	208/212	270/231	329/244	382/251	450 CFM/ton	CFM Watts	101	152	204	257	307
3.5 tons	400 CFM/ton	CFM Watts	1329/1447	1353/1361	1366/1270	1363/1176	1343/1077	450 CFM/ton	CFM Watts	1171	1191	1205	1215	1212
	450 CFM/ton	CFM Watts	204/253	276/279	345/299	406/313	456/321	450 CFM/ton	CFM Watts	1324	1349	1364	1364	1347
	290 CFM/ton	CFM Watts	1002/1131	1009/1026	1017/914	1023/797	1024/671	290 CFM/ton	CFM Watts	192	264	334	396	448
	370 CFM/ton	CFM Watts	98/130	147/152	198/167	248/177	296/182	400 CFM/ton	CFM Watts	997	1010	1016	1022	1027
	400 CFM/ton	CFM Watts	1270/1391	1293/1302	1308/1210	1311/1113	1297/1012	350 CFM/ton	CFM Watts	92	143	197	248	293
3.5 tons	450 CFM/ton	CFM Watts	181/227	249/252	316/272	377/286	429/293	450 CFM/ton	CFM Watts	1196	1217	1231	1241	1234
	290 CFM/ton	CFM Watts	1383/1499	1407/1414	1416/1325	1406/1233	1380/1136	400 CFM/ton	CFM Watts	146	210	272	334	387
	370 CFM/ton	CFM Watts	227/278	303/305	372/325	431/340	478/348	450 CFM/ton	CFM Watts	1379	1404	1415	1330	1390
	400 CFM/ton	CFM Watts	1579/1669	1583/1587	1567/1502	1474/1413	1357/1320	450 CFM/ton	CFM Watts	214	289	360	378	473
	450 CFM/ton	CFM Watts	326/375	402/402	464/423	475/437	468/444	450 CFM/ton	CFM Watts	1499	1508	1586	1504	1390

- † Factory Setting
- Status LED will blink once per 100 CFM requested. In torque mode, actual airflow may be lower.
- Torque mode will reduce airflow when static is above approximately 0.35" water column.
- All heating modes default to Constant CFM.
- Cooling airflow values are with wet coil, no filter

TAM9 Air Flow Performance Tables

TAM9A0C36 Minimum Heating Airflow Settings									
MODEL NO.	BAYEAAAC04BK1 BAYEAAAC04LG1 BAYEAAAC05BK1 BAYEAAAC05LG1	BAYEAAAC08BK1 BAYEAAAC08LG1	BAYEAAAC10BK1 BAYEAAAC10LG1	BAYEAAAC10LG3	BAYEABC15BK1	BAYEACB15LG3	BAYEABC20BK1		
TAM9A0C36	876/979	876/1236	927/1236	824/979	927/1288	1030/1339	1236/1442		

WITHOUT HEAT PUMP / WITH HP — SEE AIR HANDLER NAMEPLATE

(a) Factory heating default setting is 420 CFM/ton

Features and Benefits

- Unique cabinet design
 - 2% or less air leakage
 - Precision applied — durable door seals
 - Specially designed air seal around refrigerant, condensate and conduit connections
 - Double wall foamed cabinet system
 - R-4.2 Insulating Value (Avg Insulating Value R-8.2)
 - No loose fiber design
 - Smooth cleanable interior design
 - Sweat eliminating design
 - Composite foamed cabinet doors
 - Water proof cabinet design
 - Integrated horizontal drain pans
 - Modular cabinet
- Multi-position up/down flow horizontal left/right
- Communicating or 24 Volt control
- Control Display Assembly (CDA) with enhanced diagnostic information and setup capability
- Side return option (sold as accessory)
- Control board protection pocket built into cabinet wall
- Pre-marked Conduit Connection Locations
- Alert port to view control board codes without door removal
- Alert code notification
- Low voltage terminal connection point
- Phillips head door fasteners
- **Vortica®** blower with polarized plug connections and integrated slide deck for easy removal
- Aluminum coil with integrated slide deck for easy removal and polarized plug connections on coil EEV
- Patented enhanced coil fin
- Electronic Expansion Valve (EEV) with low ambient and low superheat compressor protection
- Dual refrigerant compatible as shipped
- Slide in electric heaters with polarized plug connections (sold as accessory)
- Slide in hot water coils with polarized plug connections (sold as accessory)
- UVC light kit with safety switch and polarized plug connections (sold as accessory)
- Labeled panels and connections
- Molded in 1" standard filter rail
- Variable speed ECM motor
- Soft start fan motor operation
- **Comfort R™** mode
- Built in fan delay modes
- Maximum width of 23.5"
- Compact 20.8" depth with doors removed
- Fused 24v power
- Safety door switch
- **5 Year Warranty**
- **10 Year Warranty Registered**
- **Optional Extended Warranty Available**



Ingersoll Rand (NYSE: IR) advances the quality of life by creating comfortable, sustainable and efficient environments. Our people and our family of brands – including Club Car®, Ingersoll Rand®, Thermo King® and Trane® – work together to enhance the quality and comfort of air in homes and buildings; transport and protect food and perishables; and increase industrial productivity and efficiency. We are a global business committed to a world of sustainable progress and enduring results.



ingersollrand.com

Ingersoll Rand has a policy of continuous product and product data improvements and reserves the right to change design and specifications without notice.

We are committed to using environmentally conscious print practices.