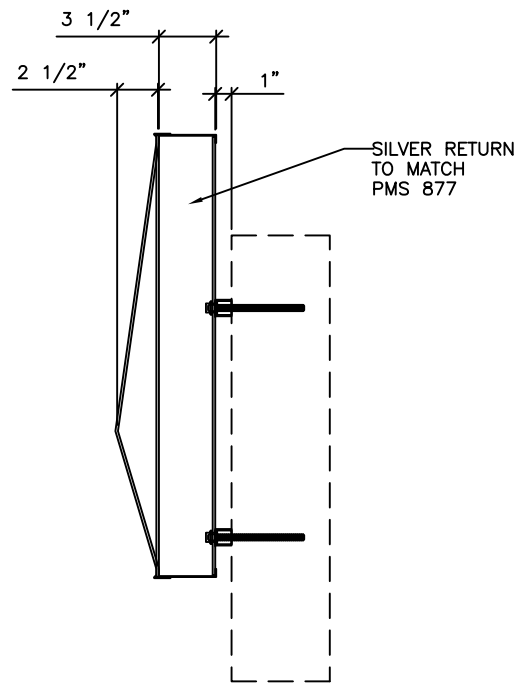
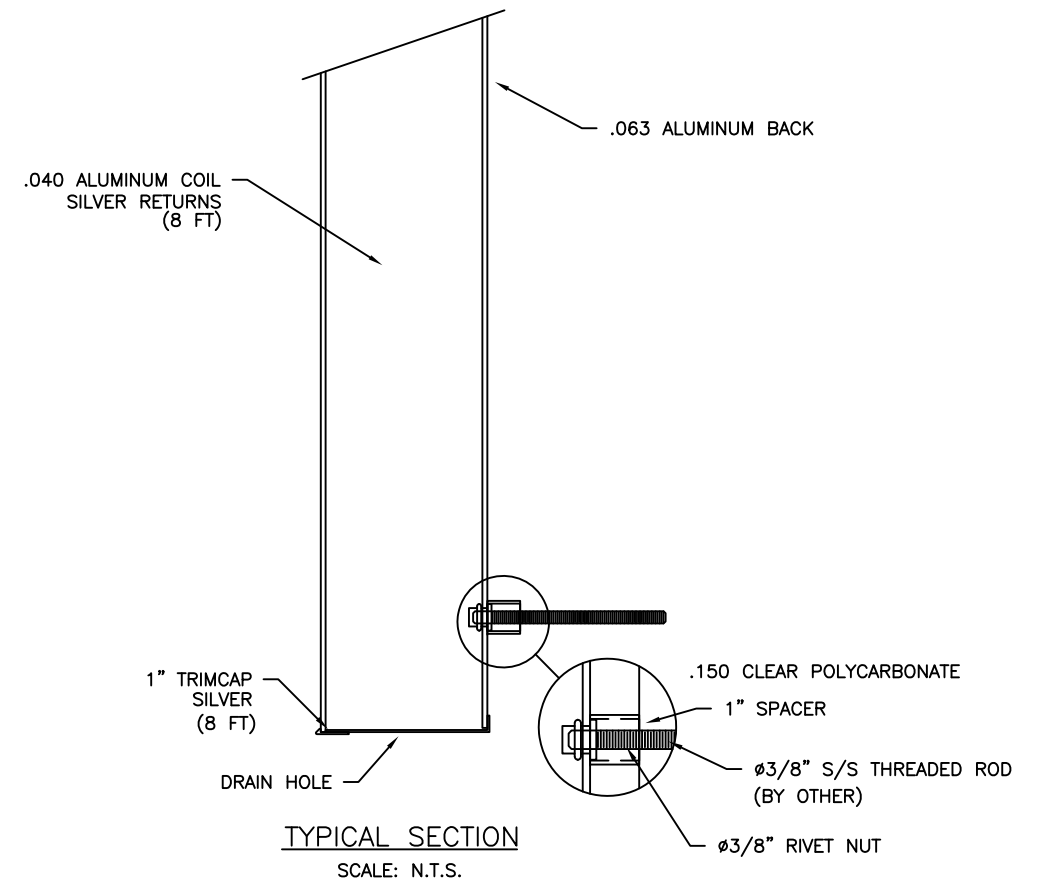


FACE LETTER DETAIL  
SCALE: 1"=1'-0"



SECTION A-A  
SCALE: 1"=1'-0"



TYPICAL SECTION  
SCALE: N.T.S.

SIGN SPECIFICATIONS:

SIGN SIZE:

COPY BOX AREA ... 6.0 SQ FT  
ACTUAL SIZE ... 27" H x 32" W

APPROXIMATE WEIGHT ... TOTAL - 45 LB.

DESIGNED WIND LOAD ... 90MPH (3-SEC. GUST EXPOSURE C)  
COMPLIANT w/ NATIONAL BUILDING CODES & STANDARDS  
(IBC, UBC, BOCA, AISC, ASCE7, ACI, & ALUM. DSGN. MANUAL)

COLOR SPECIFICATIONS:

CABINET - SILVER TO MATCH PMS # 877  
TRIM CAP - SILVER  
FACE-PLEASE REFER TO COLOR RENDERING  
FOR COLOR AND GRAPHIC SPECS

INSTALLATION NOTES

1. ALL WALL MOUNTING HARDWARE, ELECTRICAL CONNECTORS & CONDUIT (HARD OR FLEX) SUPPLIED BY OTHERS

NOTE : Use 3/8" diameter bolts as listed:  
Wedge bolts in concrete or brick.  
Toggle bolts in concrete block or panel walls.  
TEK screws in metal stud walls.  
Lag bolts in wood stud walls  
All thread bolts with blocking in ACM fascia.



1500 N. BOLTON, JACKSONVILLE, TX 75766  
(903) 589-2100

This original drawing is provided as part of a planned project and is not to be exhibited, copied or reproduced without the permission of Federal Heath Sign Company LLC or its authorized agent. ©



ELECTRICAL TO USE U.L.-48 LISTED COMPONENTS AND SHALL MEET ALL N.E.C. STANDARDS

NO.	REVISIONS	DATE	BY
△			
△			
△			
△			
△			
△			

27" CANOPY TRIMARK  
NON-ILLUMINATED

JOB NO: 101546	DFULLER
DRAWN BY: GDA	04-22-10
DRAWING NO: CI4027NI_TM	

SHEET NO: 1
OF: 1