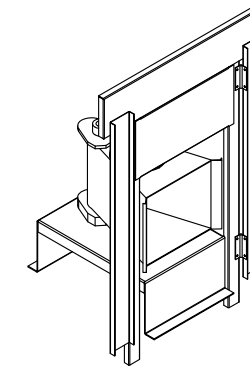
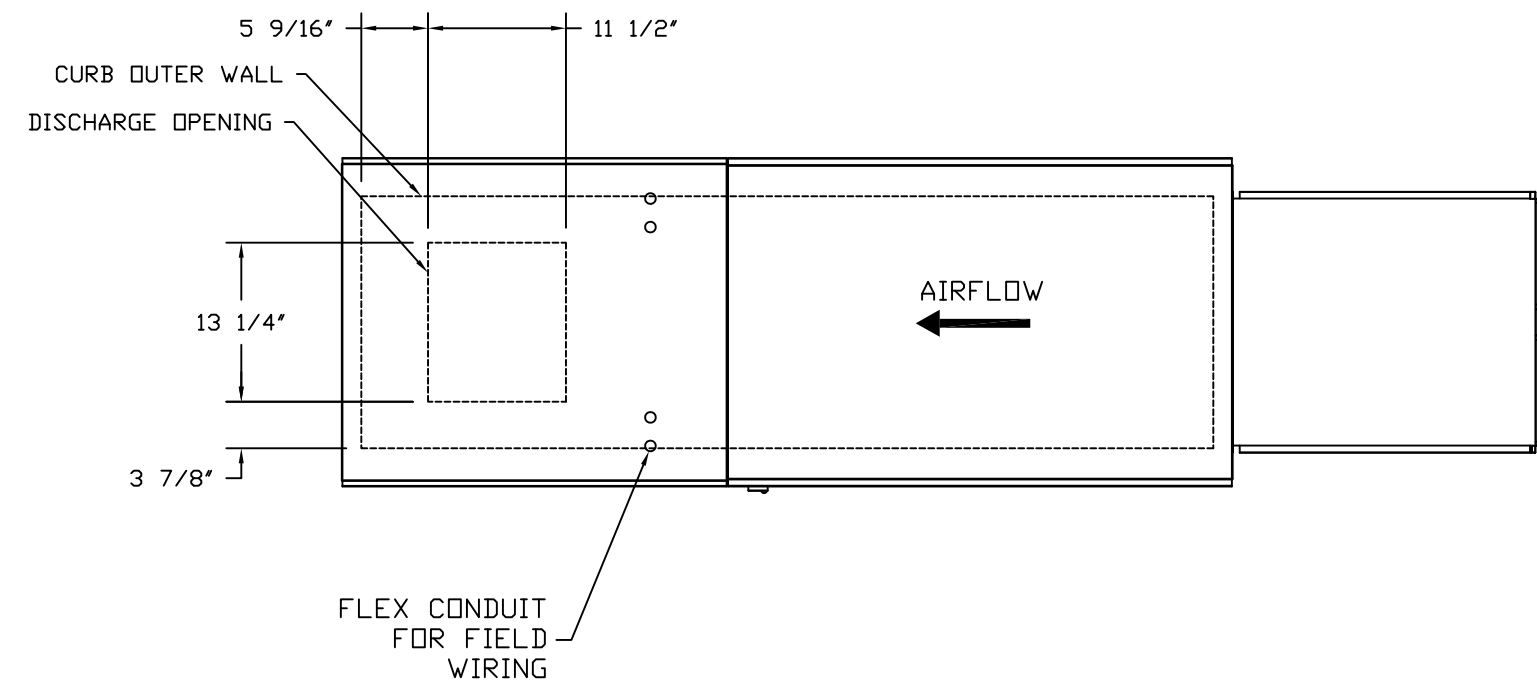


- FAN #2 A1-D250-G10D - HEATER
1. DIRECT DRIVE DIRECT FIRED HEATER UNIT WITH 10" BLOWER IN SIZE #1 HOUSING WITH SPEED CONTROL, DISCONNECT SWITCH.
  2. INTAKE HOOD WITH EZ FILTERS-LOW CFM
  3. DOWN DISCHARGE - AIR FLOW RIGHT -> LEFT
  4. COOLING INTERLOCK RELAY, 24VAC COIL, 120V CONTACTS. LOCKS OUT BURNER CIRCUIT WHEN AC IS ENERGIZED.
  5. MOTORIZED BACK DRAFT DAMPER 16" X 18" FOR SIZE 1 STANDARD & MODULAR DIRECT FIRED HEATERS W/EXTENDED SHAFT, STANDARD GALVANIZED CONSTRUCTION, 3/4" REAR FLANGE, LF120S ACTUATOR INCLUDED
  6. FULL CRATING FOR COMMERCIAL HEATERS FOR SHIPPING.
  7. LOW FIRE START. ALLOWS THE BURNER CIRCUIT TO ENERGIZE WHEN THE MODULATION CONTROL IS IN A LOW FIRE POSITION.
  8. GAS PRESSURE GAUGE, 0-35", 2.5" DIAMETER, 1/4" THREAD SIZE
  9. GAS PRESSURE GAUGE, -5 TO +15 INCHES WC, 2.5" DIAMETER, 1/4" THREAD SIZE
  10. ECM WIRING PACKAGE AND MANUAL CONTROL FOR ECM MOTORS ON HMUA.
  11. 3 YEAR EXTENDED WARRANTY FOR FAN MOTOR. PARTS ONLY, DOES NOT INCLUDE LABOR.

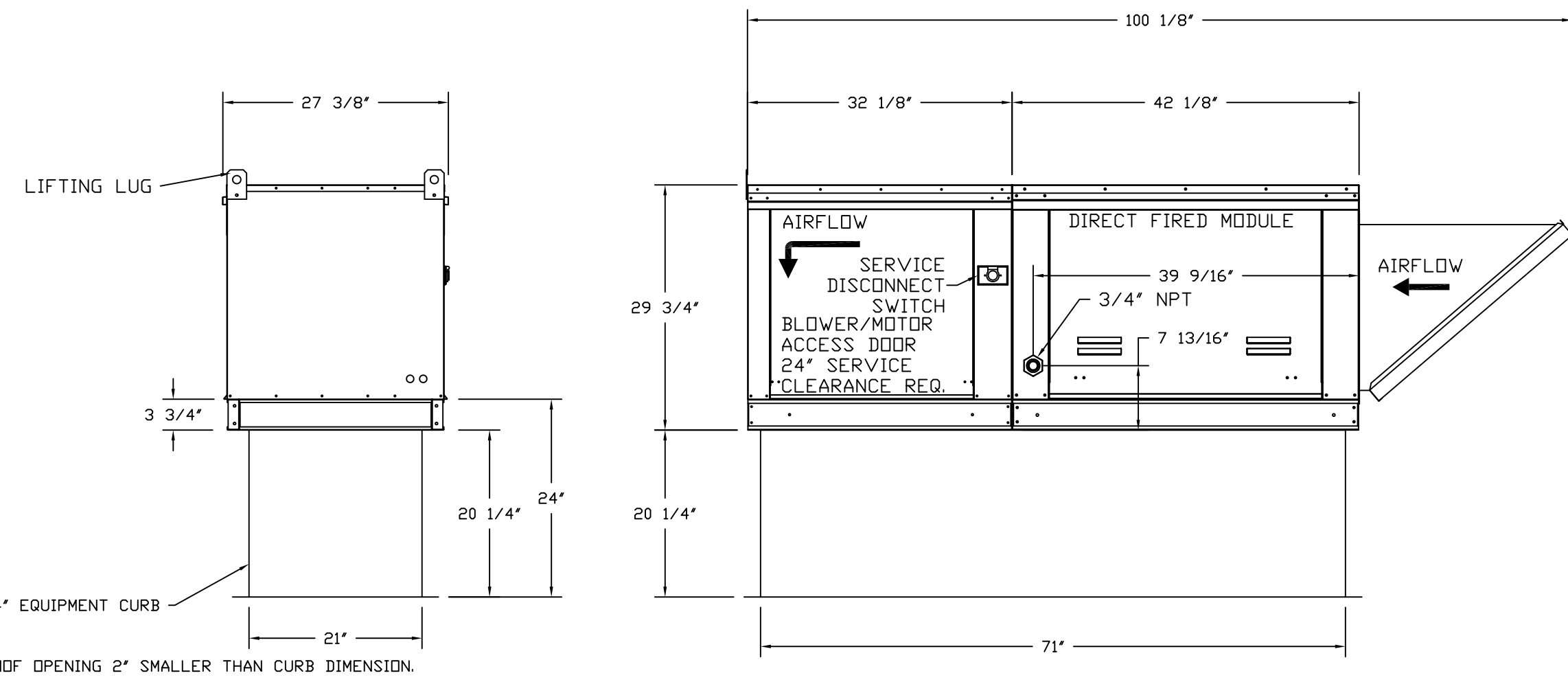
SUPPLY SIDE HEATER INFORMATION

WINTER TEMPERATURE = 4°F. TEMP. RISE = 71°F.  
 BTUS CALCULATED OFF STANDARD AIR DENSITY  
 OUTPUT BTUS AT ALTITUDE OF 0.0 Ft. = 91019  
 INPUT BTUS AT ALTITUDE OF 0.0 Ft. = 98934



Direct Fired (DF) Profile Plate Assembly

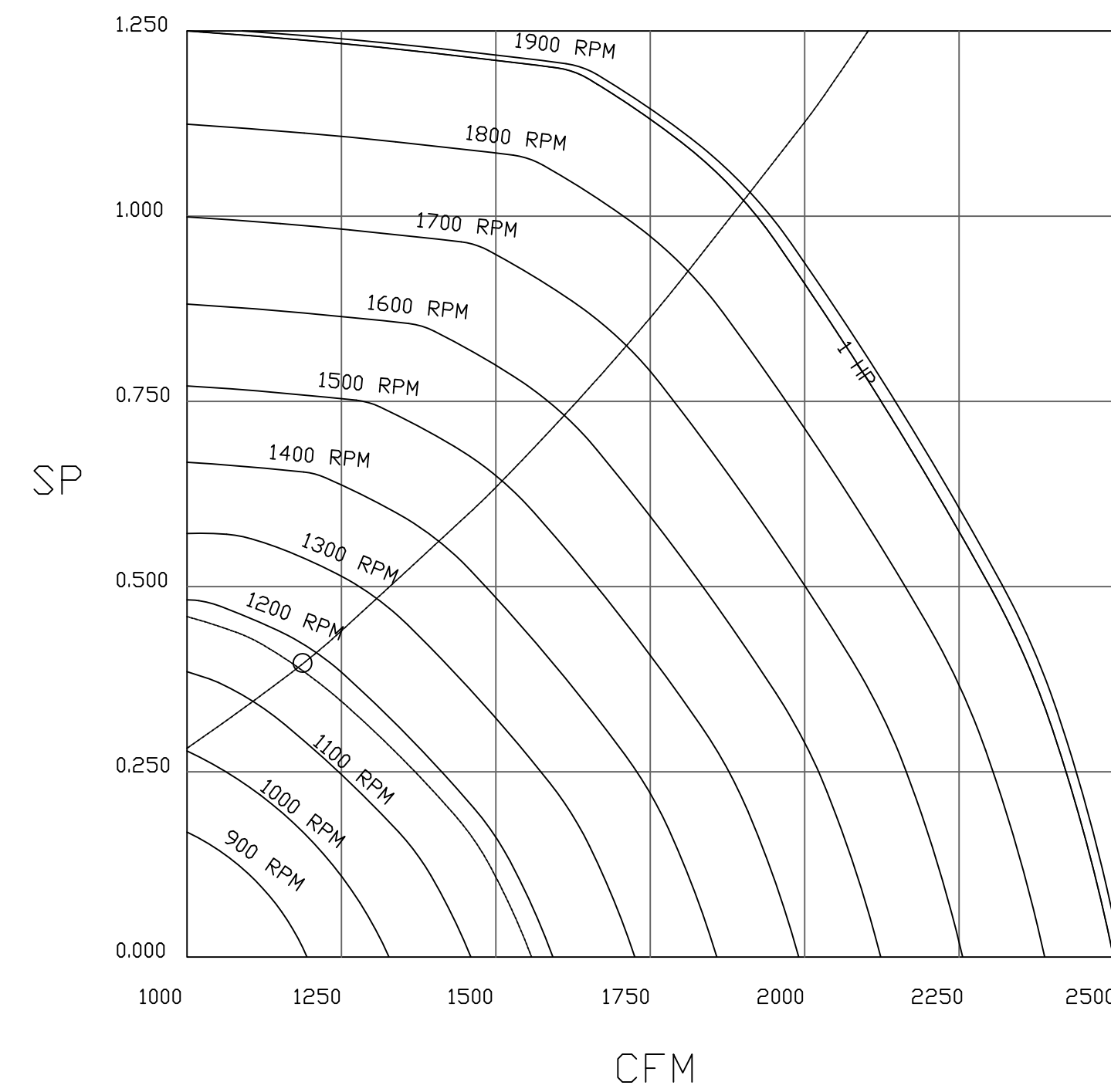
**Direct Fired Profile Plate Specifications:**  
**Description:**  
 Direct fired burners shall have patented (US Patent No. US6629232B2) self-adjusting profile plates designed to ensure proper air velocity and pressure drop across the burner. Profile plates shall allow burners to achieve clean combustion by limiting by-product levels to a maximum of 5ppm of carbon monoxide (CO) and 0.5ppm of nitrogen dioxide (NO2).  
**Application:**  
 Spring-loaded burner profile plates are engineered to automatically react to the momentum of a fresh air stream, without the need for any motors or actuators to mechanically adjust them. With this feature, all DF units are designed for demand control ventilation (DCV) requirements.  
**Certifications:**  
 All profile plate assemblies shall be included in the DF unit's ETL listing and comply with combined safety standards ANSI Z83.4 and CSA 3.7 (non-recirculating DF heaters) and ANSI Z83.18 (recirculating DF heaters).  
**General Construction:**  
 -Profile plates shall be formed from 600 galvanized steel.  
 -Profile plates shall vary in size per unit.  
 -Profile plates shall be mounted along the same plane as the discharge of the burner.  
 -Design shall incorporate properly torqued, permanently mounted spring hinges.  
 -Spring hinges shall be made from plated steel.



ROOF OPENING 2" SMALLER THAN CURB DIMENSION.

FAN#2 - HEATER PERFORMANCE CURVES.

1187 CFM, 0.397 SP @ 1174 RPM and 0.239 BHP at 86 feet and 75 deg F  
 \* Please note that these curves were adjusted for job specific temperature and altitude.



REVISIONS	
DESCRIPTION	DATE

www.captiveaire.com  
 MAINE OFFICE  
 PO Box 86, 179 South Rd., Topshfield, ME, 04490 PHONE: (207) 796-2590 FAX: (919) 227-5946 EMAIL: reg21@captiveaire.com

Tin Pan Bakery  
 897 Brighton Ave,  
 PORTLAND, ME, 04102

DATE: 5/16/2016
DWG.#: 2658653
DRAWN BY: BFC-21
SCALE: 3/4" = 1'-0"
MASTER DRAWING
SHEET NO. 5