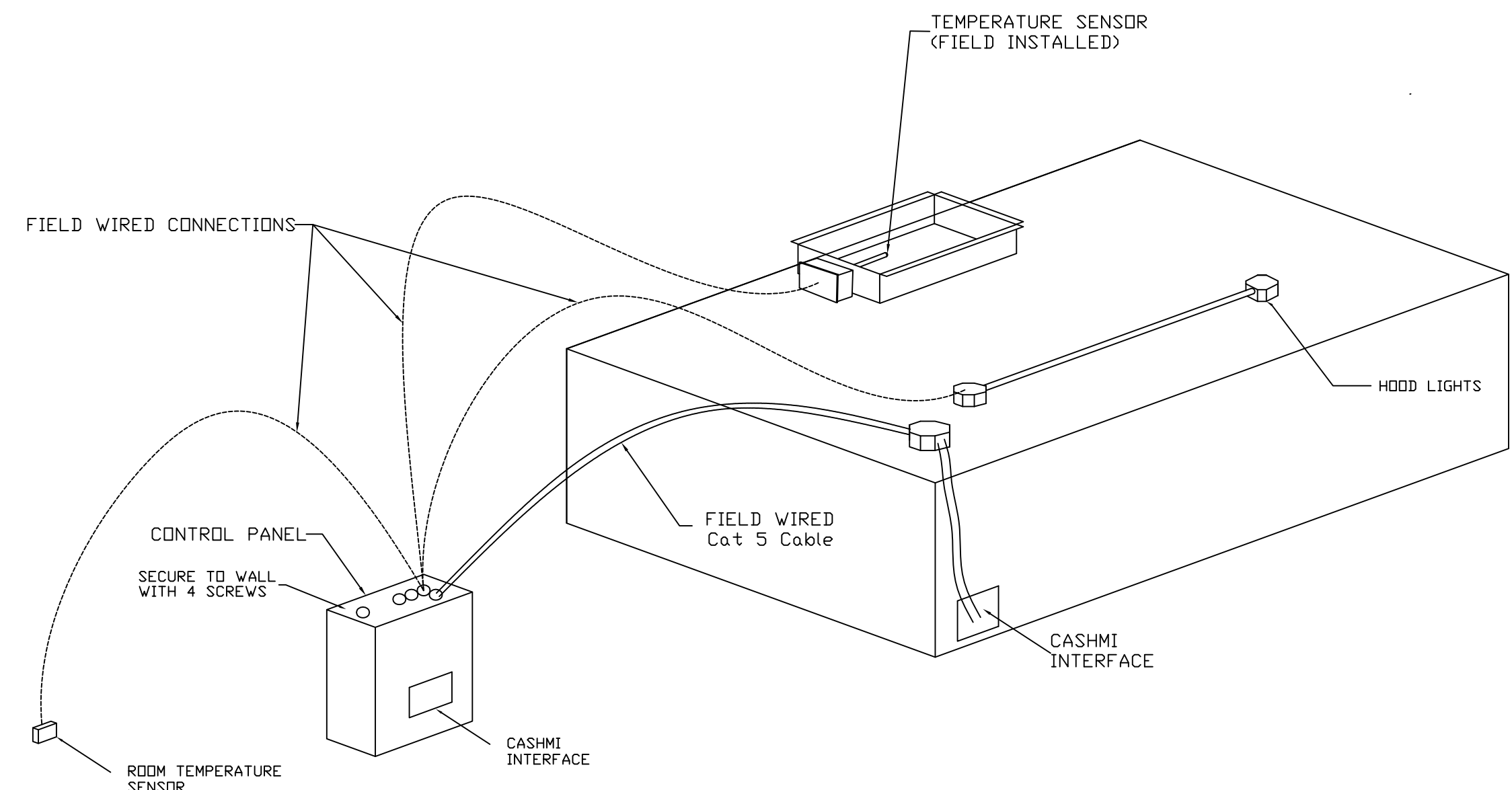


ELECTRICAL PACKAGES - Job#2658653

NO.	TAG	PACKAGE #	LOCATION	SWITCHES		OPTION	FANS CONTROLLED				
				LOCATION	QUANTITY		TYPE	#	H.P.	VOLT	FLA
1		SC-21110FP	Wall Mount In SS Box	Utility Cabinet Right	1 Light 1 Fan	Smart Controls Thermostatic Control	Exhaust	1	1.500	230	6.8
							Supply	1	1.000	230	6.1



**TYPICAL SC-TYPE CONTROL SYSTEM
WITH REMOTE MOUNTED PANEL**

MEETS AUTOMATIC ACTIVATION REQUIREMENTS

IMC 507.2.1.1 TYPE I HOOD SYSTEMS SHALL BE DESIGNED AND INSTALLED TO AUTOMATICALLY ACTIVATE THE EXHAUST AN WHENEVER COOKING OPERATIONS OCCUR. THE ACTIVATION OF THE EXHAUST FAN SHALL OCCUR THROUGH AN INTERLOCK WITH THE COOKING APPLIANCES, BY MEANS OF HEAT SENSORS, OR BY MEANS OF OTHER APPROVED METHODS.

NFPA96 8.2.3.3 THE EXHAUST FAN SHALL BE PROVIDED WITH A MEANS SO THAT THE FAN IS ACTIVATED WHEN ANY APPLIANCE UNDER THE HOOD IS TURNED ON.

REVISIONS	
DESCRIPTION	DATE

MAINE OFFICE
www.captivefire.com

PO Box 86, 179 South Rd., Topshfield, ME, 04490 PHONE: (207) 796-2590 FAX: (819) 227-5946 EMAIL: reg21@captivefire.com

Tin Pan Bakery
897 Brighton Ave,
PORTLAND, ME, 04102

DATE: 5/16/2016

DWG.#:
2658653

DRAWN BY: BFC-21

SCALE:
3/4" = 1'-0"

MASTER DRAWING

SHEET NO.
7