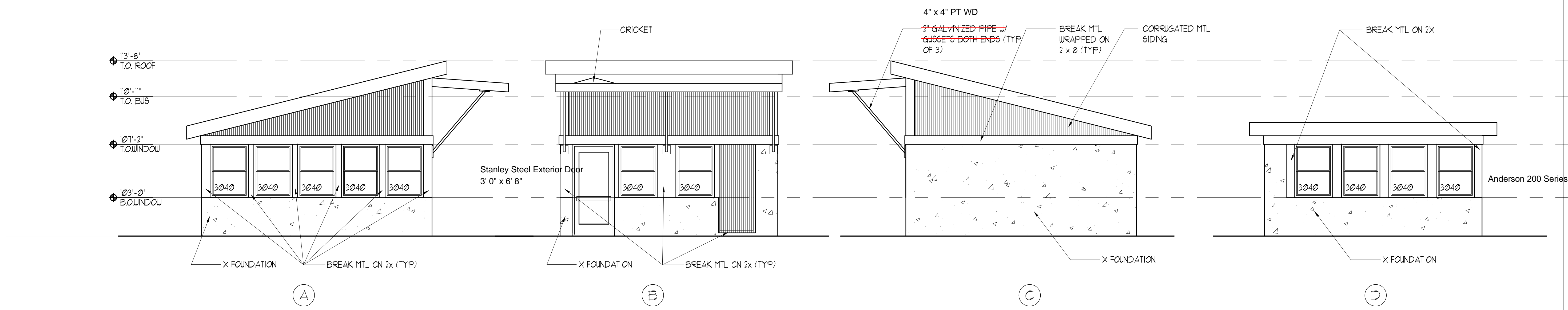
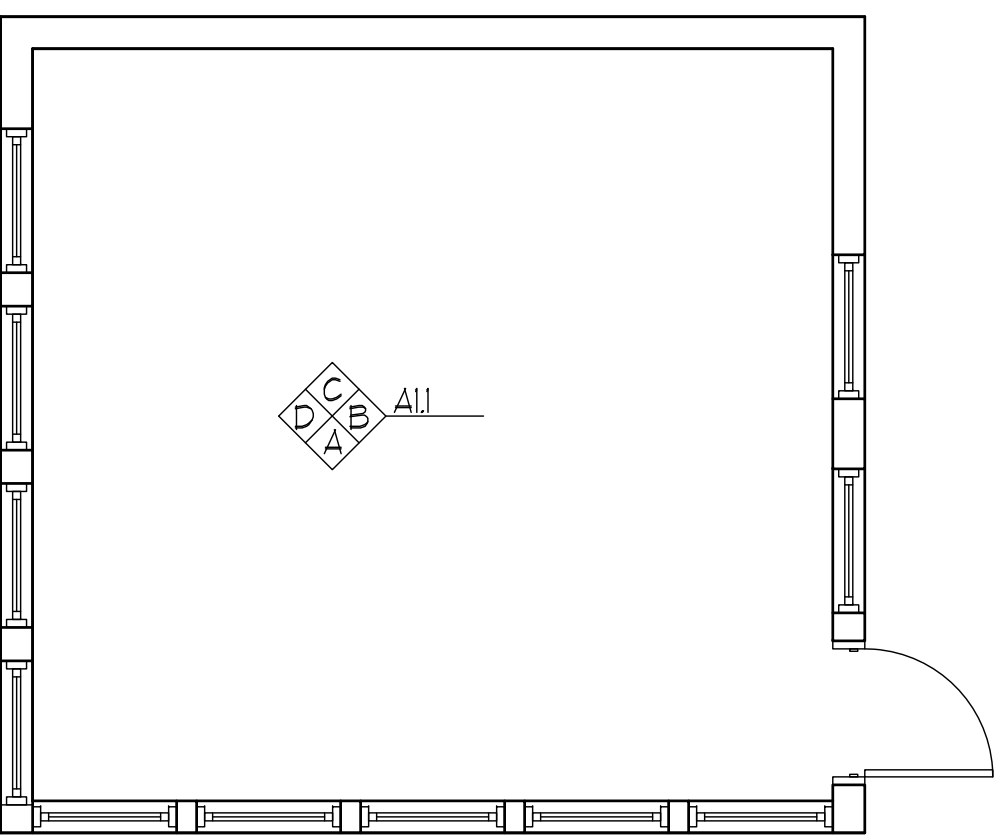


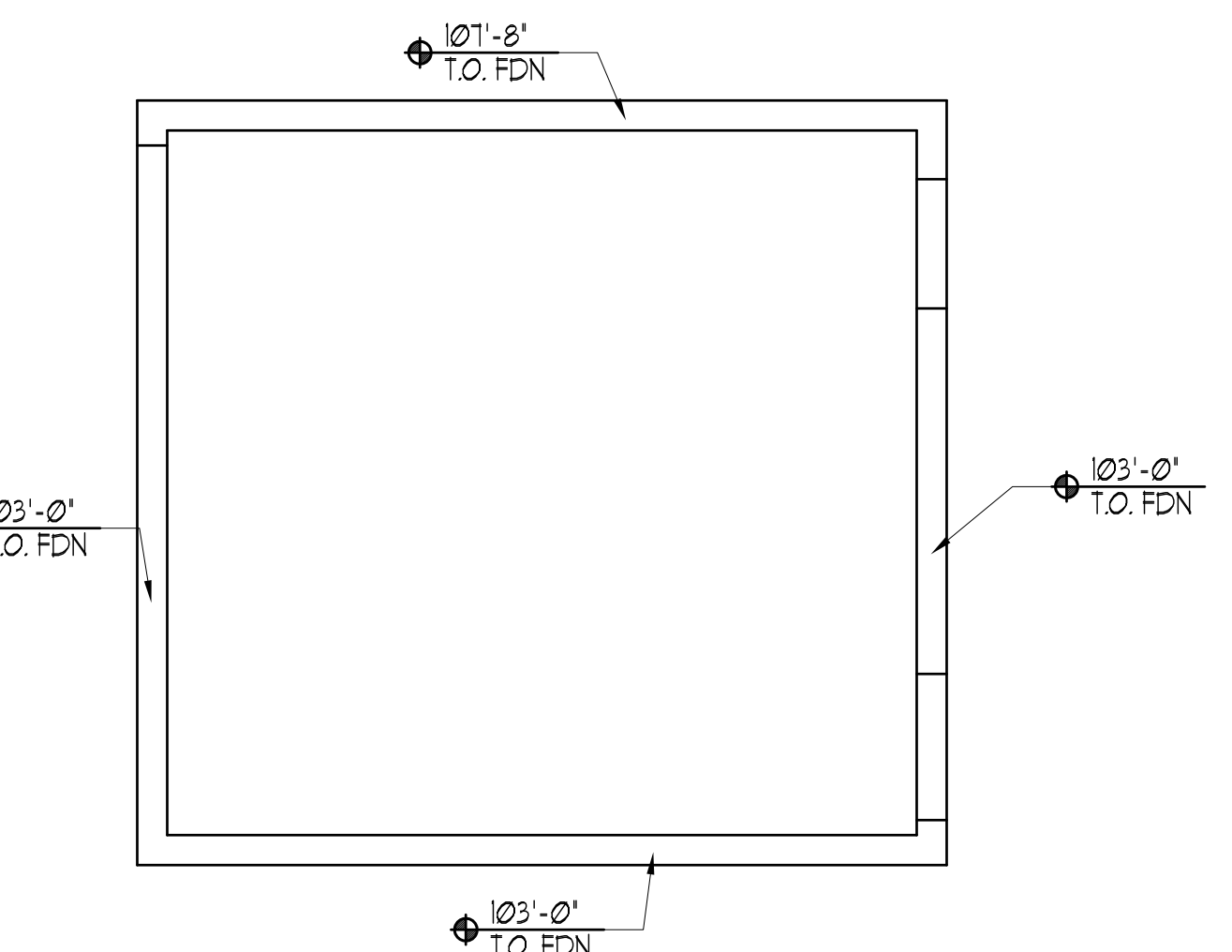
IF THIS SHEET IS NOT 24 X 36 IT IS A REDUCED SCALE PRINT - SCALE ACCORDINGLY



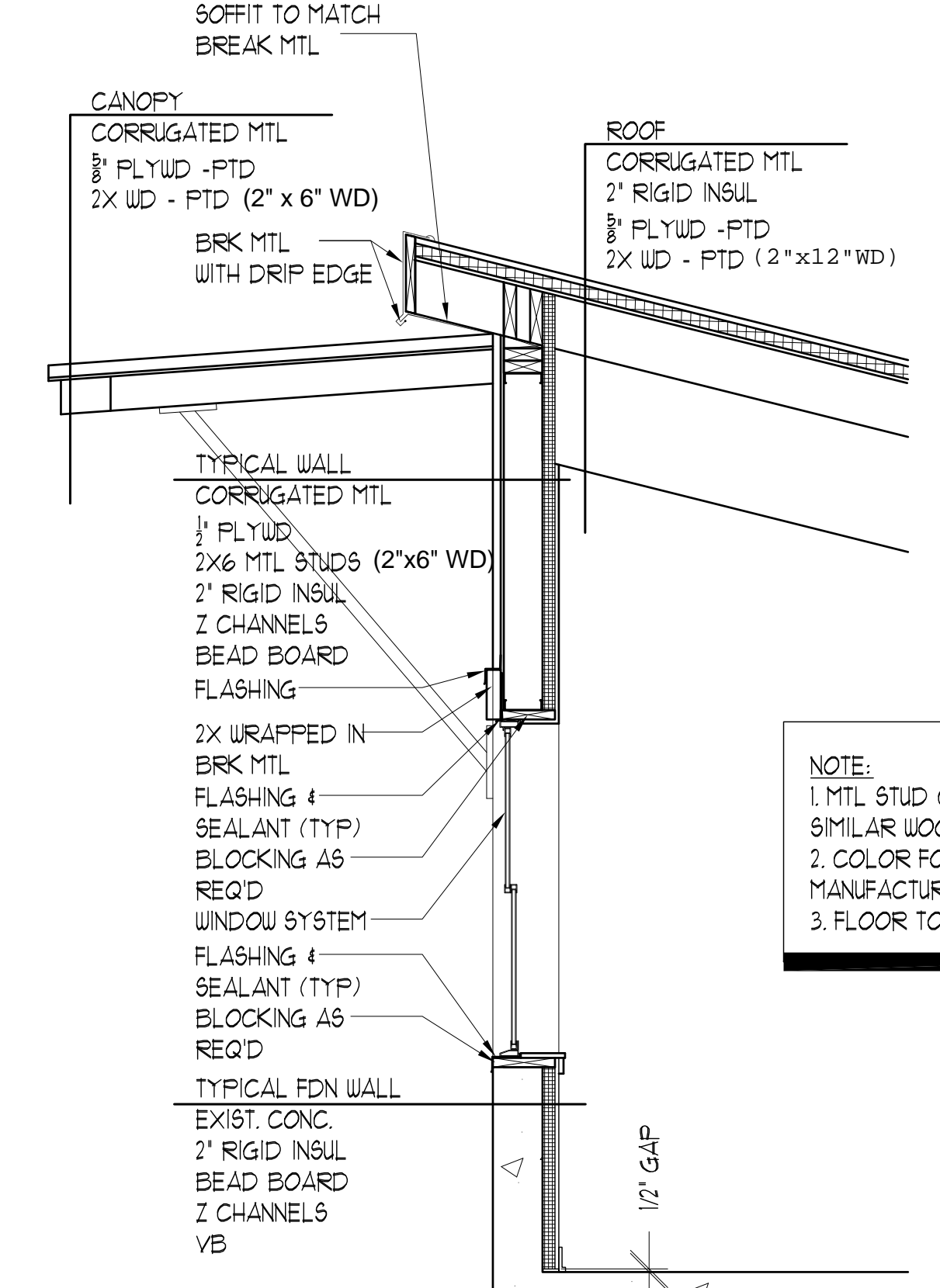
**2 ELEVATIONS**  
SCALE: 1/4" = 1'-0"



**4 FLOOR PLAN**  
SCALE: 1/4" = 1'-0"

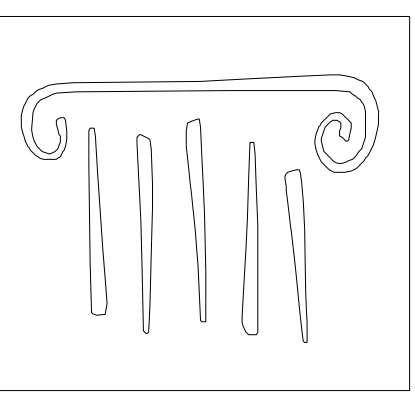


**3 X FOUNDATION**  
SCALE: 1/4" = 1'-0"



**NOTE:**  
1. MTL STUD CAN BE REPLACED WITH SIMILAR WOOD STUD  
2. COLOR FOR BREAK TO BE SELECTED FROM MANUFACTURERS STANDARD COLORS  
3. FLOOR TO BE DETERMINED

**1 WALL SECTION**  
SCALE: 1/2" = 1'-0"



65 NEWBURY STREET  
PORTLAND, ME 04101  
207.761.9000  
info@portcityarch.com  
WWW.PORTCITYARCH.COM

REVISIONS		
No.	Description	Date

**UNIVERSITY OF  
NEW ENGLAND**  
PORTLAND, MAINE

**BUS SHELTER**

Project Number **1252**  
Date **AUGUST 10, 2012**  
Drawn by  
Checked by

Scale  
A1:1