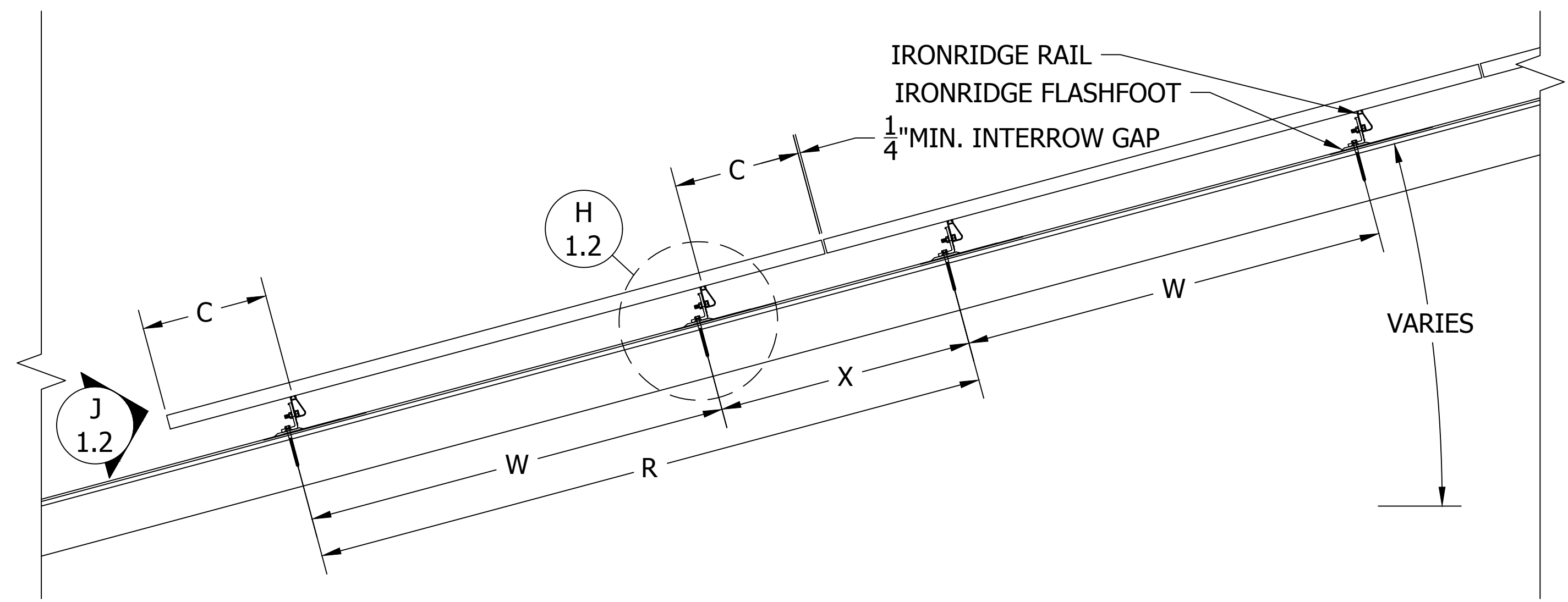
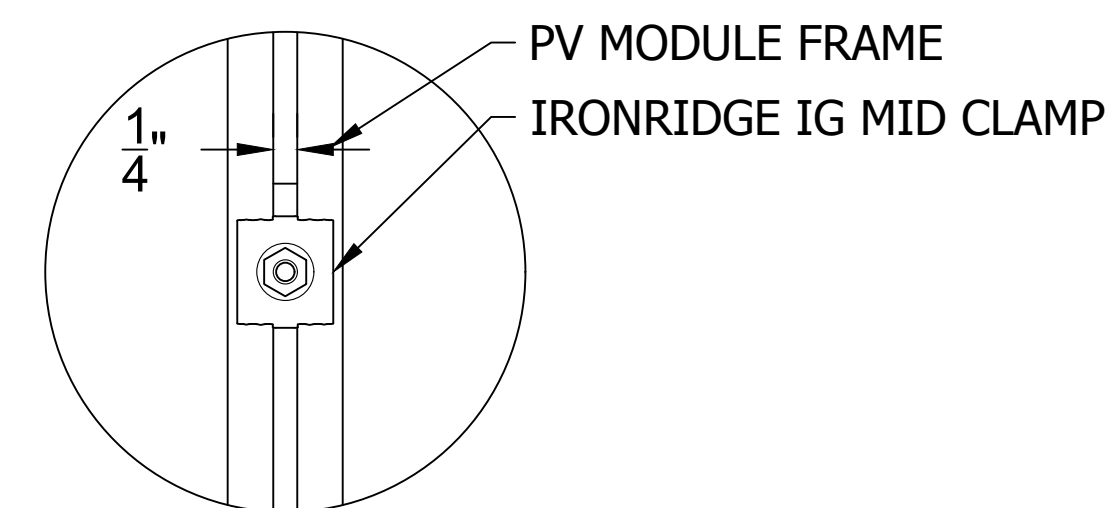
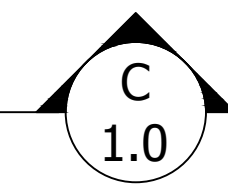


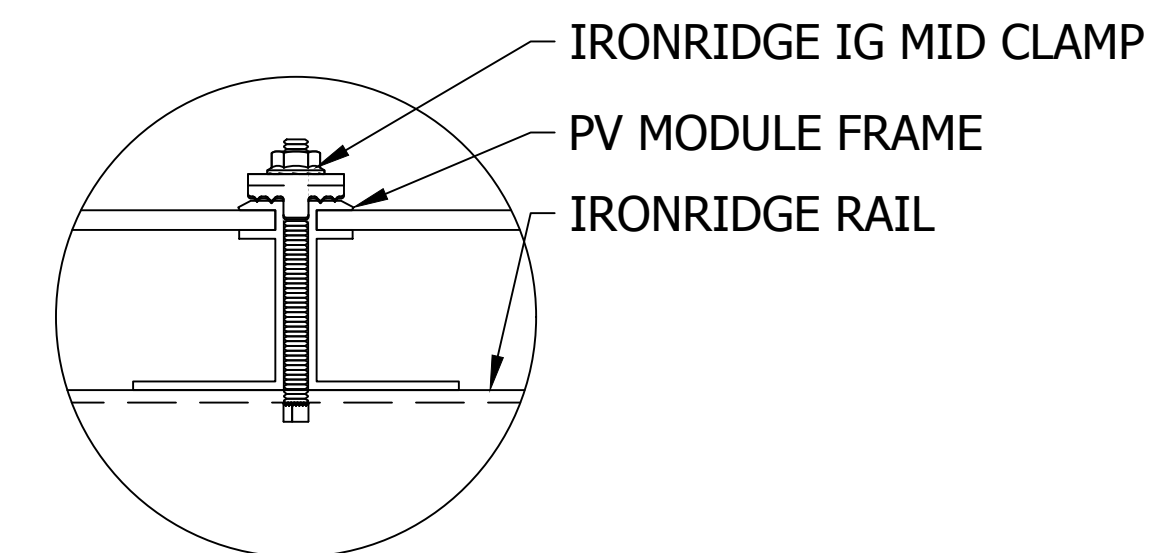
A PLAN VIEW, FLASHFOOT MOUNT, PORTRAIT MODULE
Scale: 1"=1'-0"



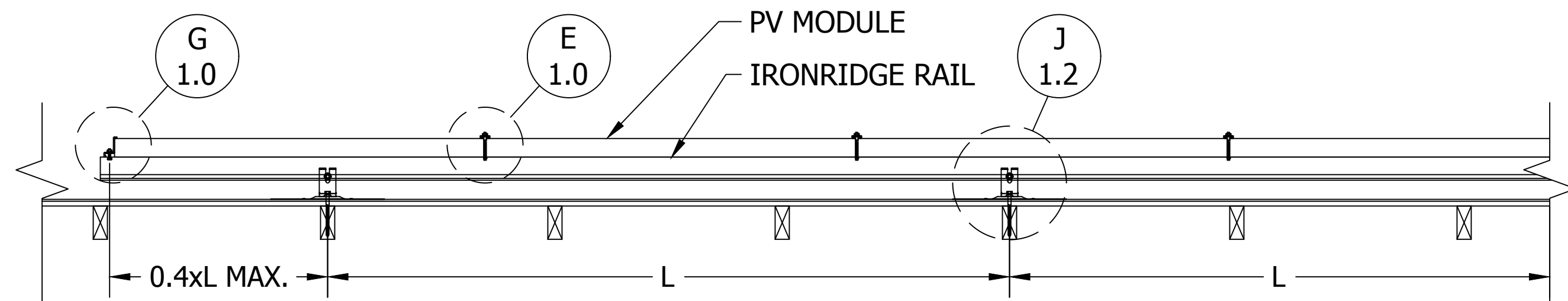
B SIDE VIEW, FLASHFOOT MOUNT, PORTRAIT MODULE
Scale: 1"=1'-0"



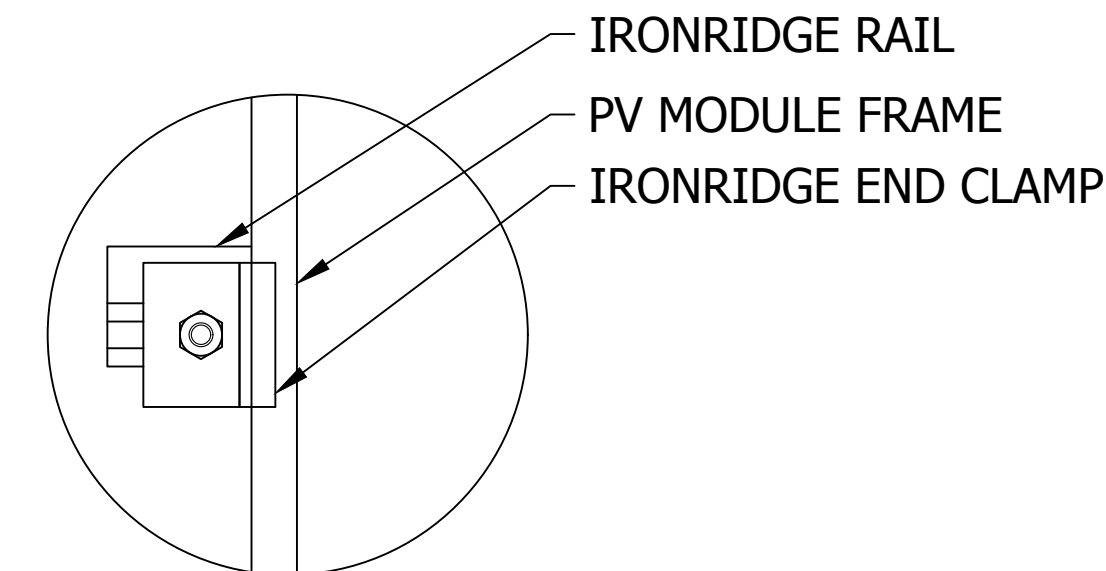
D DETAIL, MID CLAMP PLAN
Scale: 6"=1'-0"



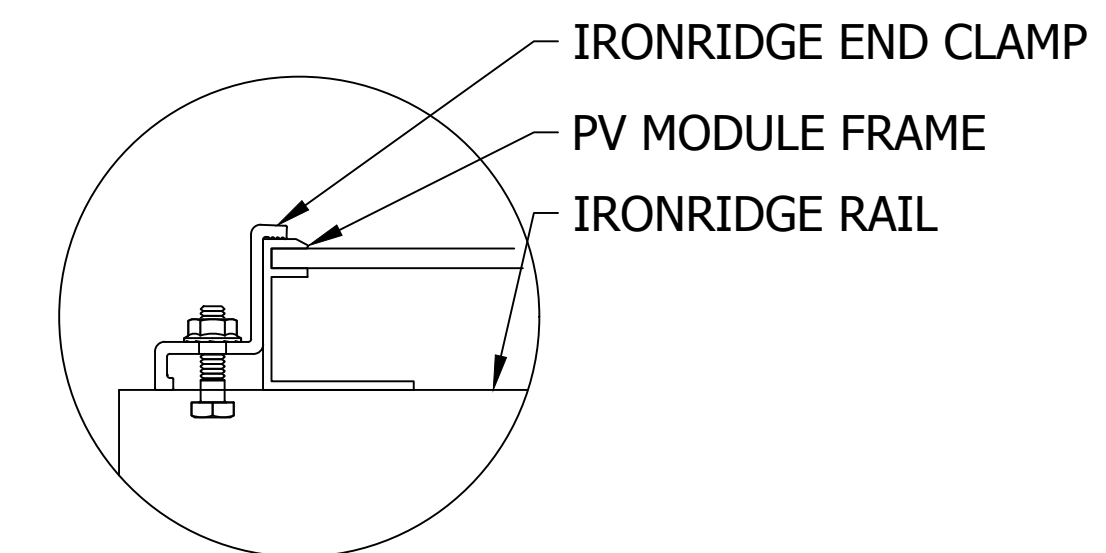
E DETAIL, MID CLAMP FRONT
Scale: 6"=1'-0"



C FRONT VIEW, FLASHFOOT MOUNT, PORTRAIT MODULE
Scale: 1"=1'-0"



F DETAIL, END CLAMP PLAN
Scale: 6"=1'-0"



G DETAIL, END CLAMP FRONT
Scale: 6"=1'-0"

CLIENT NAME	IRONRIDGE
PROJECT NAME	SLOPED ROOF MOUNT SYSTEM
PROJECT ADDRESS	
SYSTEM KW/DC	

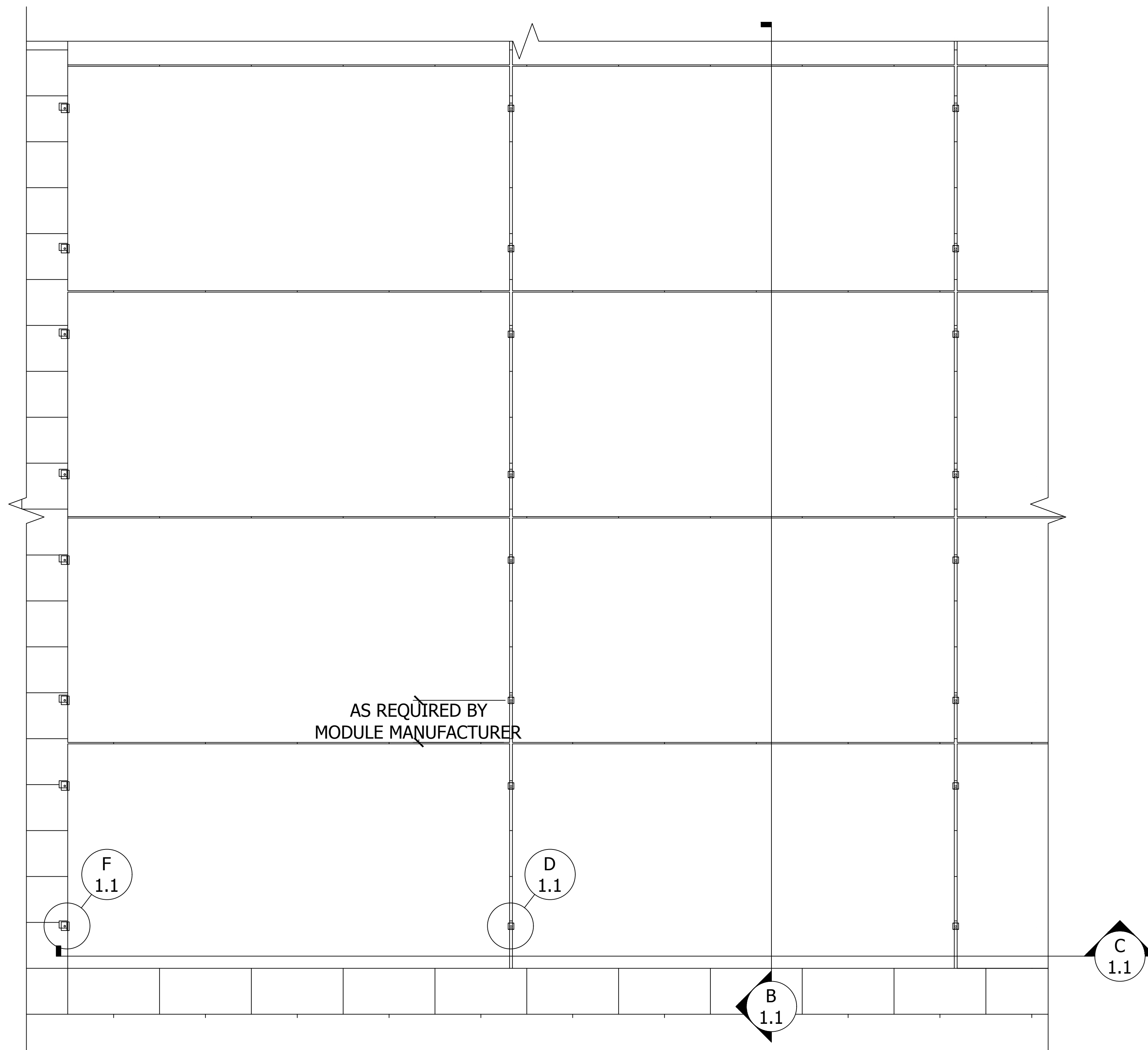
WIND SPEED, MPH	-
SNOW LOAD, PSF	-
EXPOSURE CAT	-
RISK CAT	72-CELL, GENERIC
MODULE TYPE	-
MODULE W/DC	-
MODULE QTY	-

APPROVAL STATUS

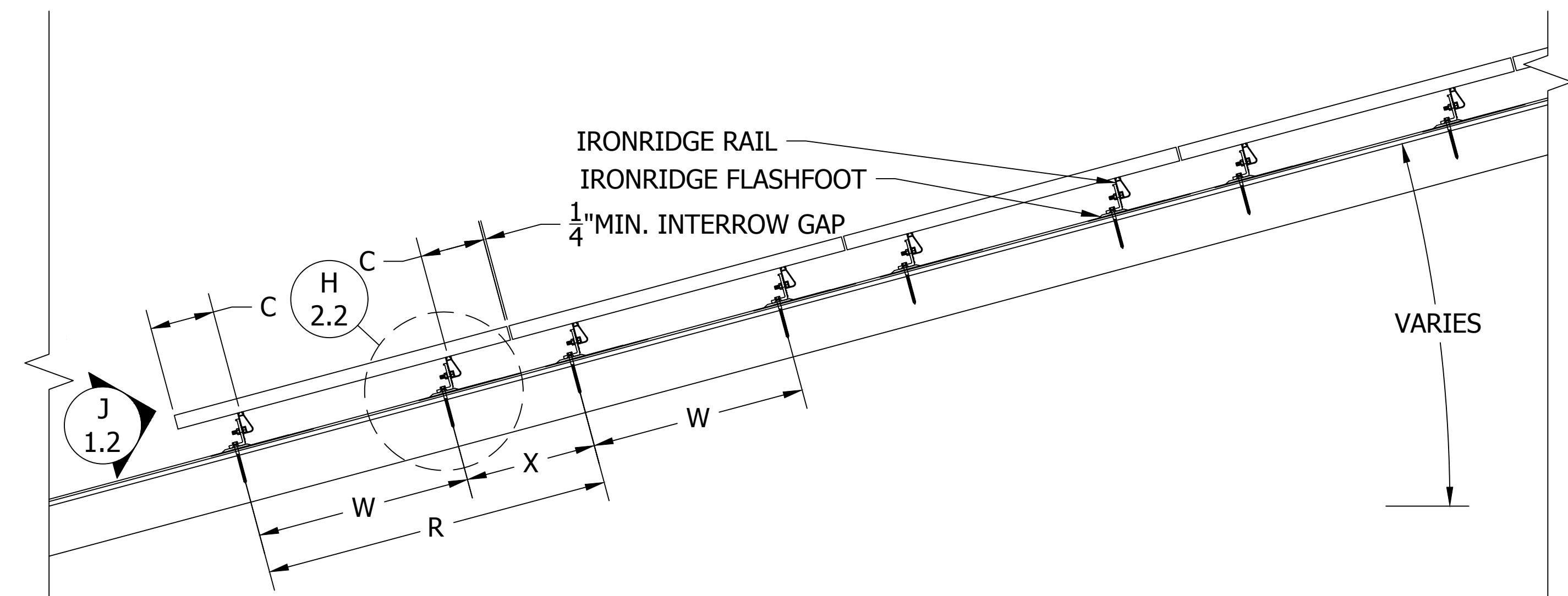
NOT FOR CONSTRUCTION

REV	DESCRIPTION	DATE

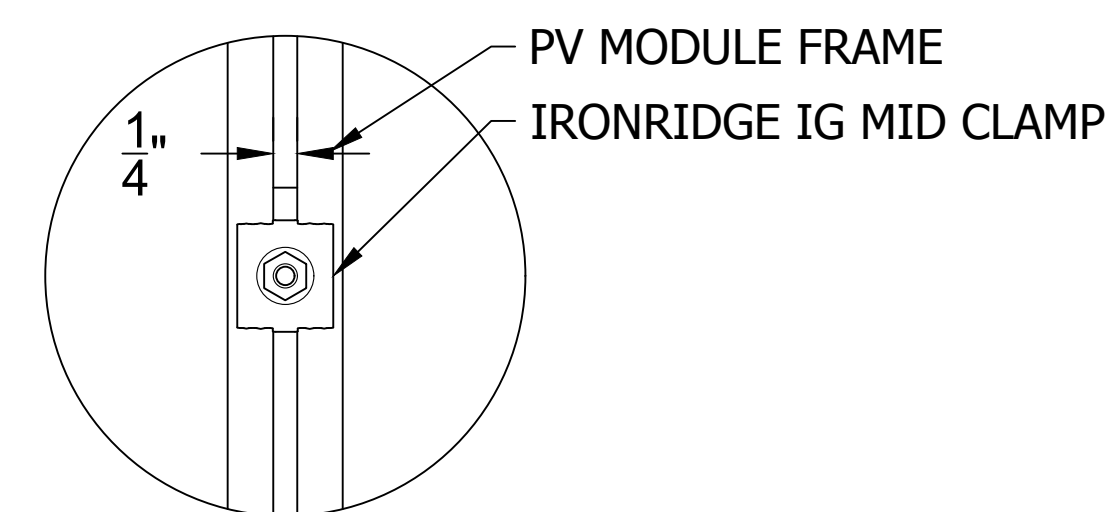
SHEET NAME	
SLOPED ROOF PV SYSTEM DETAILS: FLASHFOOT	
JOB NO.	3.1 SR
ISSUE DATE	XX FEB 2016
SHEET NO.	IR 1.0
SHEET SIZE	24X36



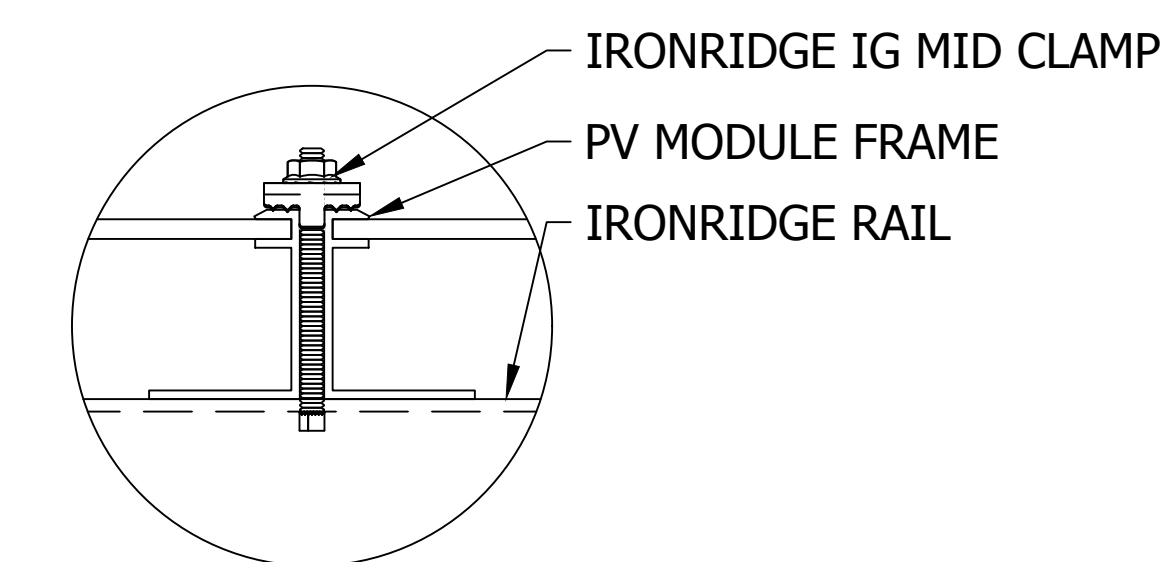
A PLAN VIEW, FLASHFOOT MOUNT, LANDSCAPE MODULE
Scale: 1"=1'-0"



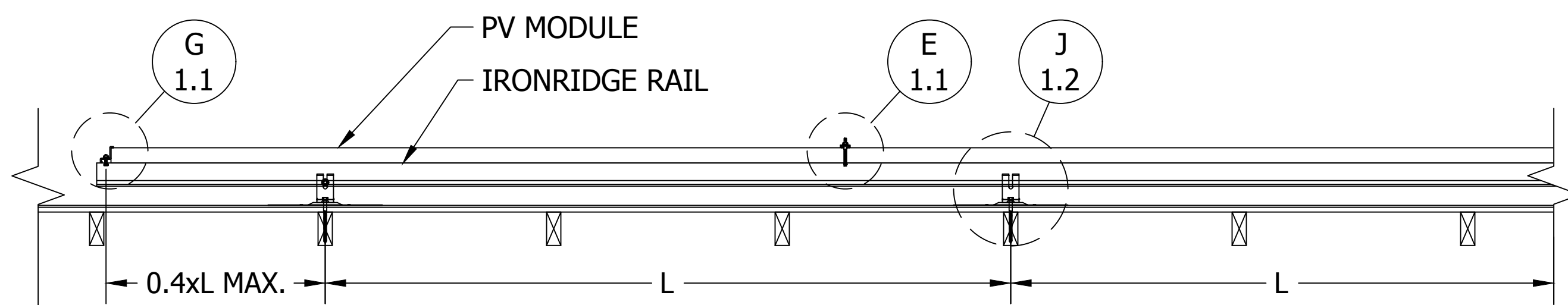
B SIDE VIEW, FLASHFOOT MOUNT, LANDSCAPE MODULE
Scale: 1"=1'-0"



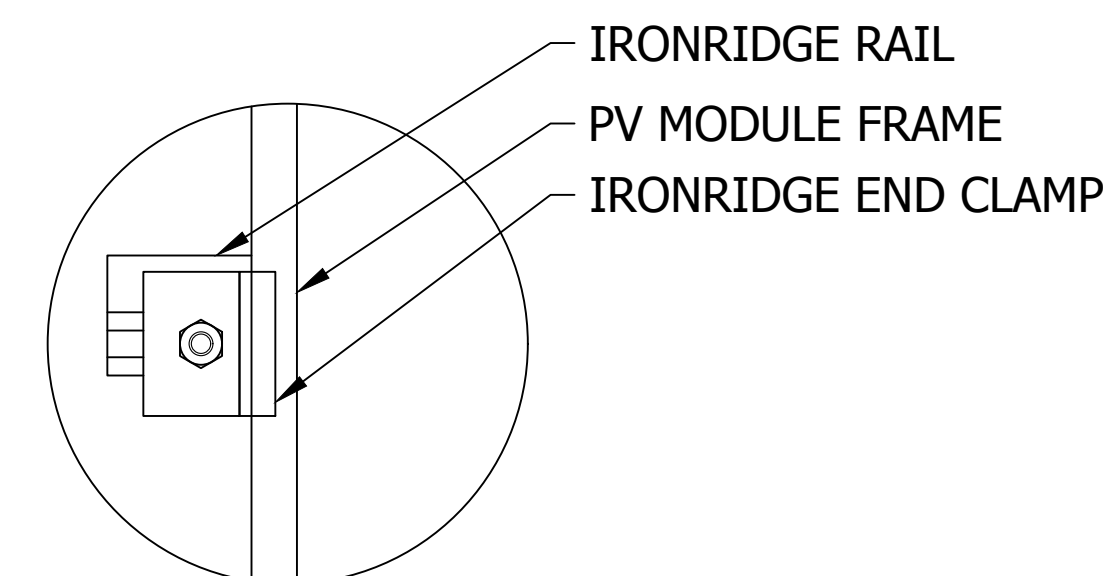
D DETAIL, MID CLAMP PLAN
Scale: 6"=1'-0"



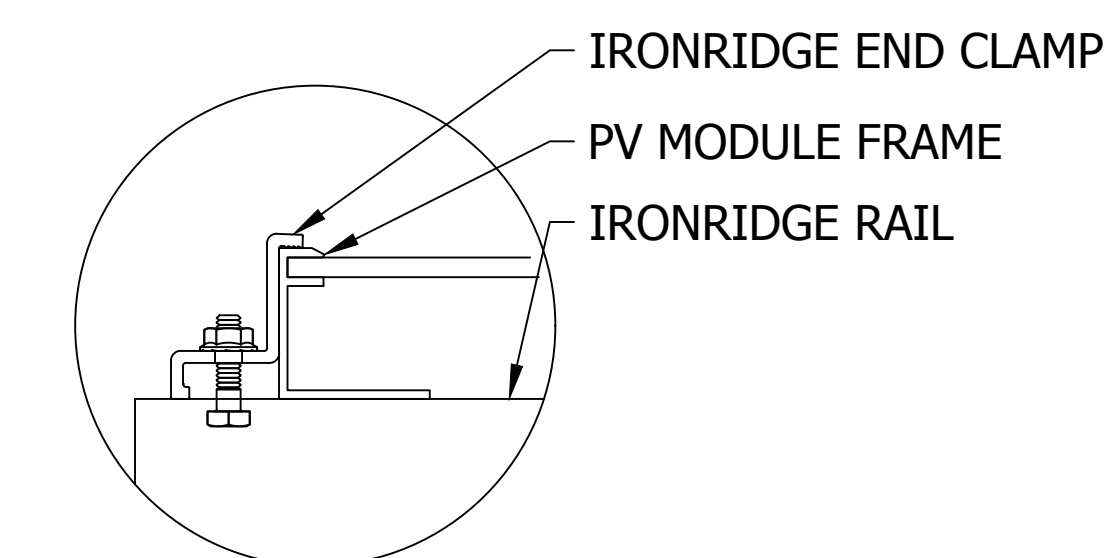
E DETAIL, MID CLAMP FRONT
Scale: 6"=1'-0"



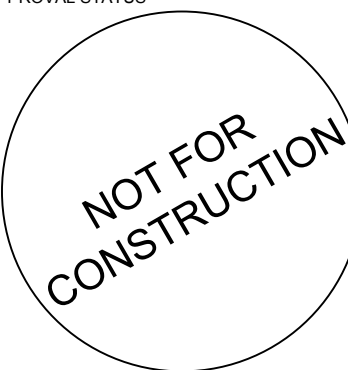
C FRONT VIEW, FLASHFOOT MOUNT, LANDSCAPE MODULE
Scale: 1"=1'-0"



F DETAIL, END CLAMP PLAN
Scale: 6"=1'-0"

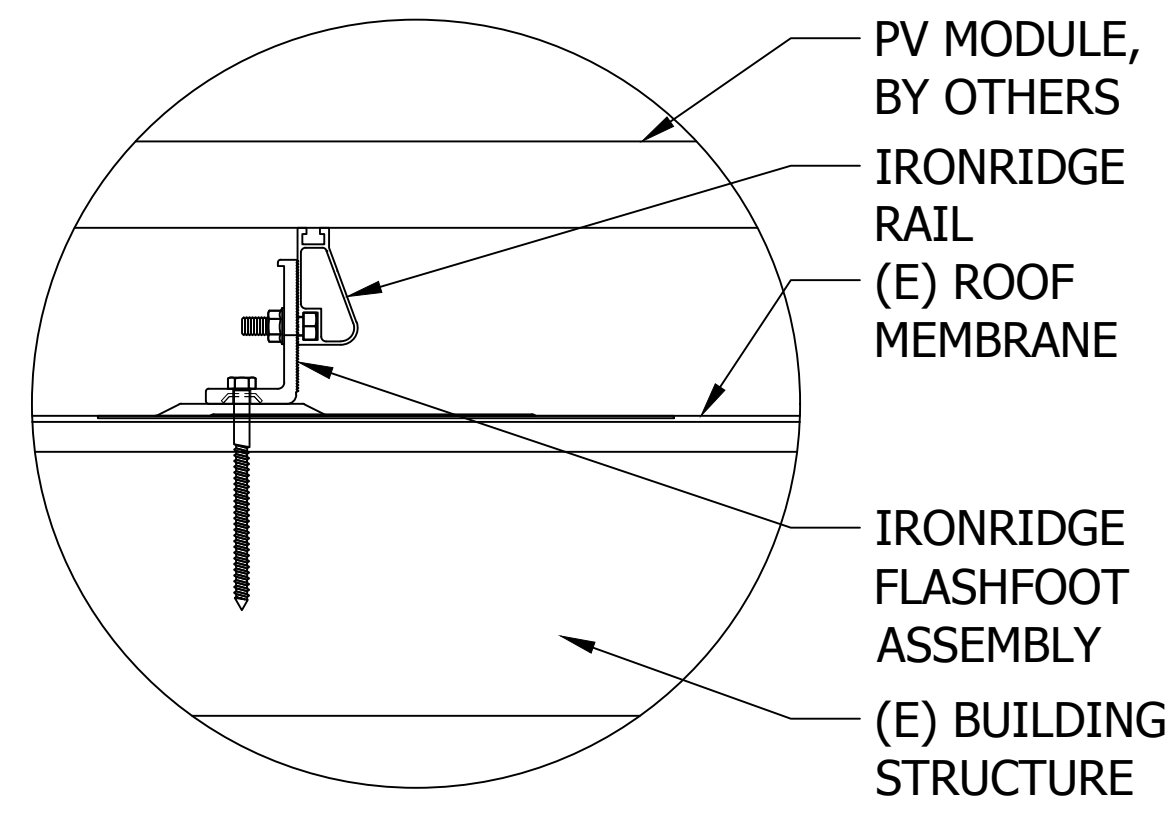


G DETAIL, END CLAMP FRONT
Scale: 6"=1'-0"

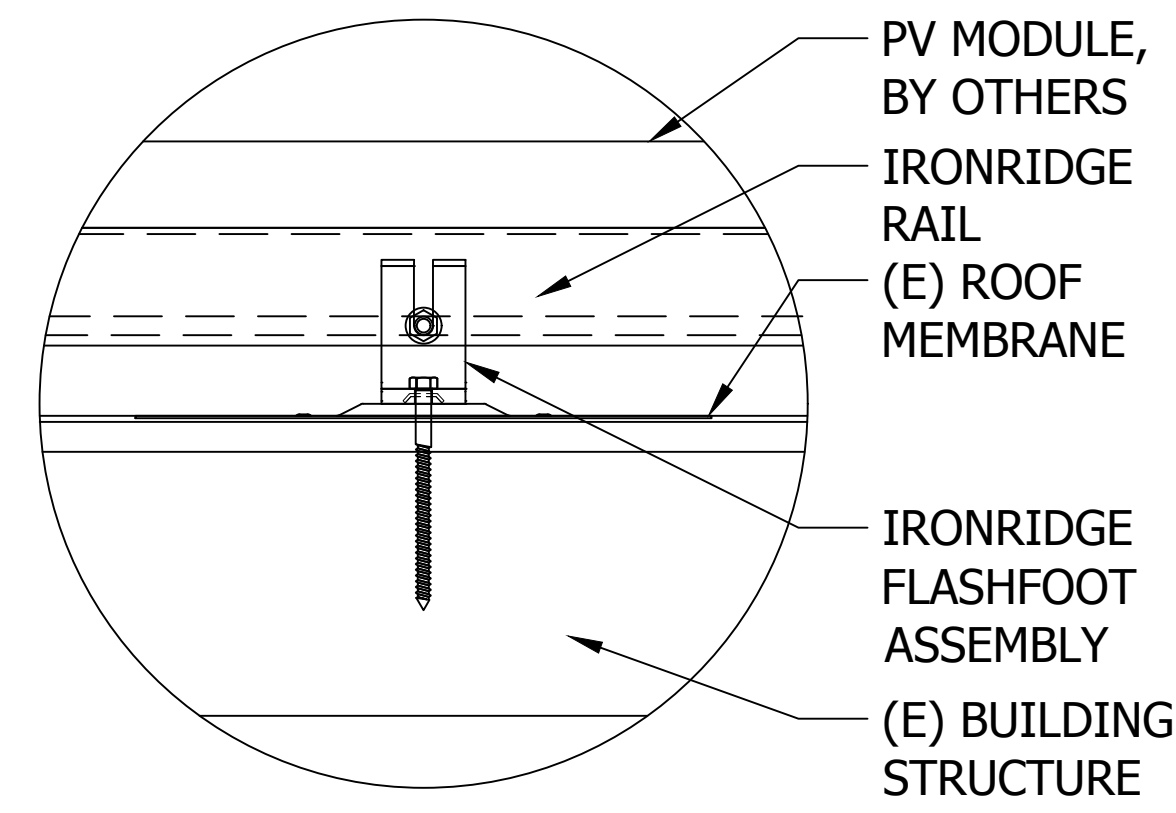


REV	DESCRIPTION	DATE

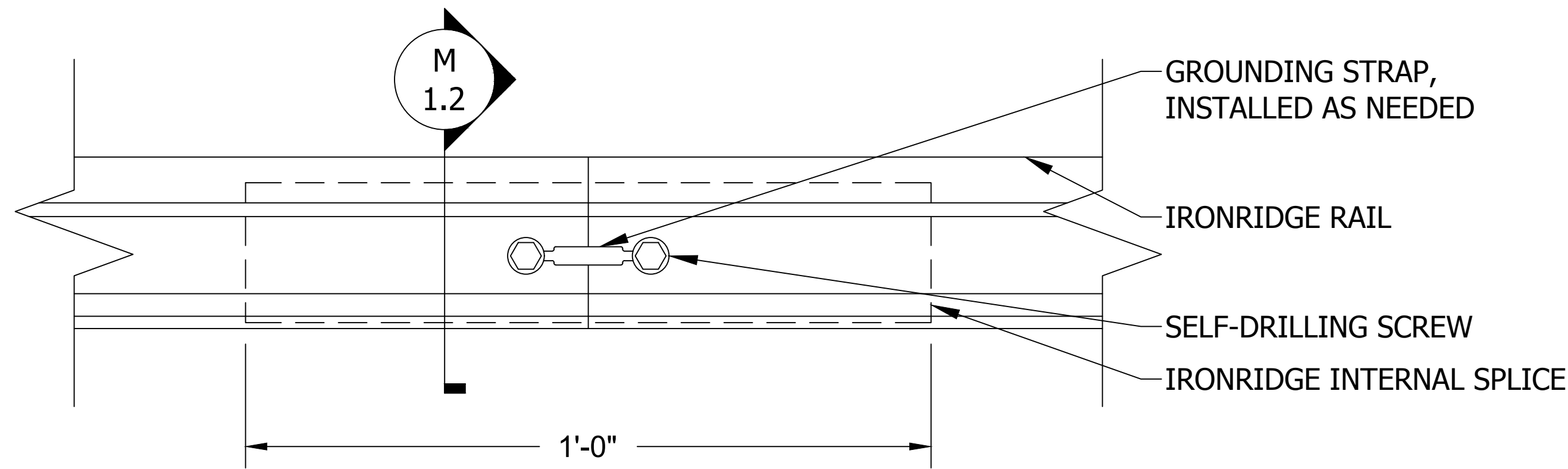
SHEET NAME	
SLOPED ROOF PV SYSTEM DETAILS: FLASHFOOT	
JOB NO.	3.1 SR
ISSUE DATE	XX FEB 2016
SHEET NO.	IR 1.1
SHEET SIZE	24X36



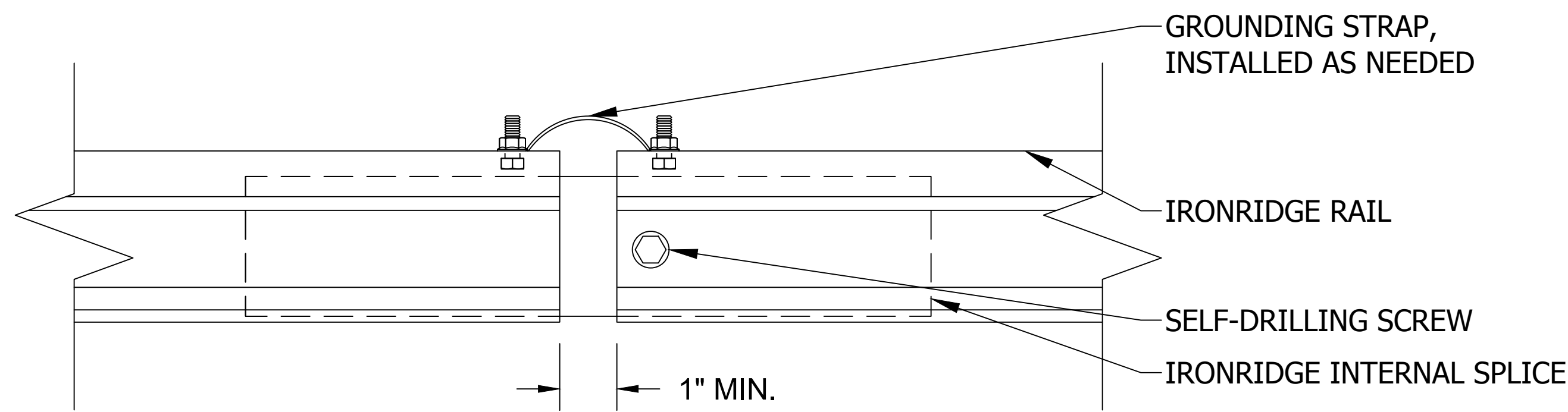
H STANDOFF DETAIL
Scale: 3"=1'-0"



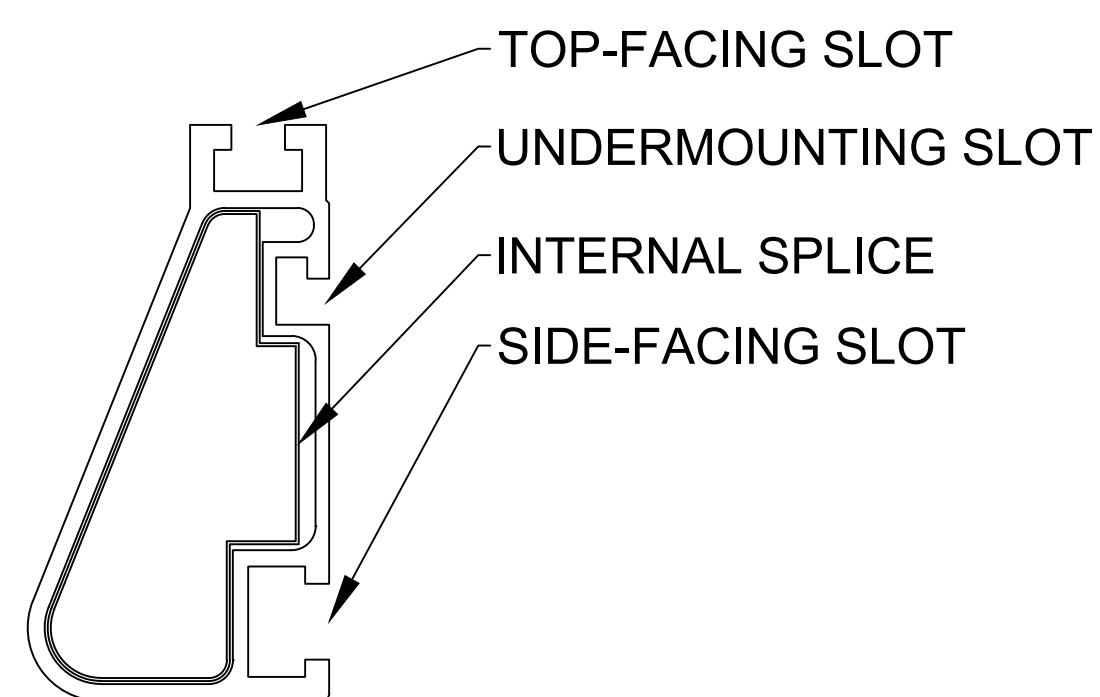
J STANDOFF DETAIL
Scale: 3"=1'-0"



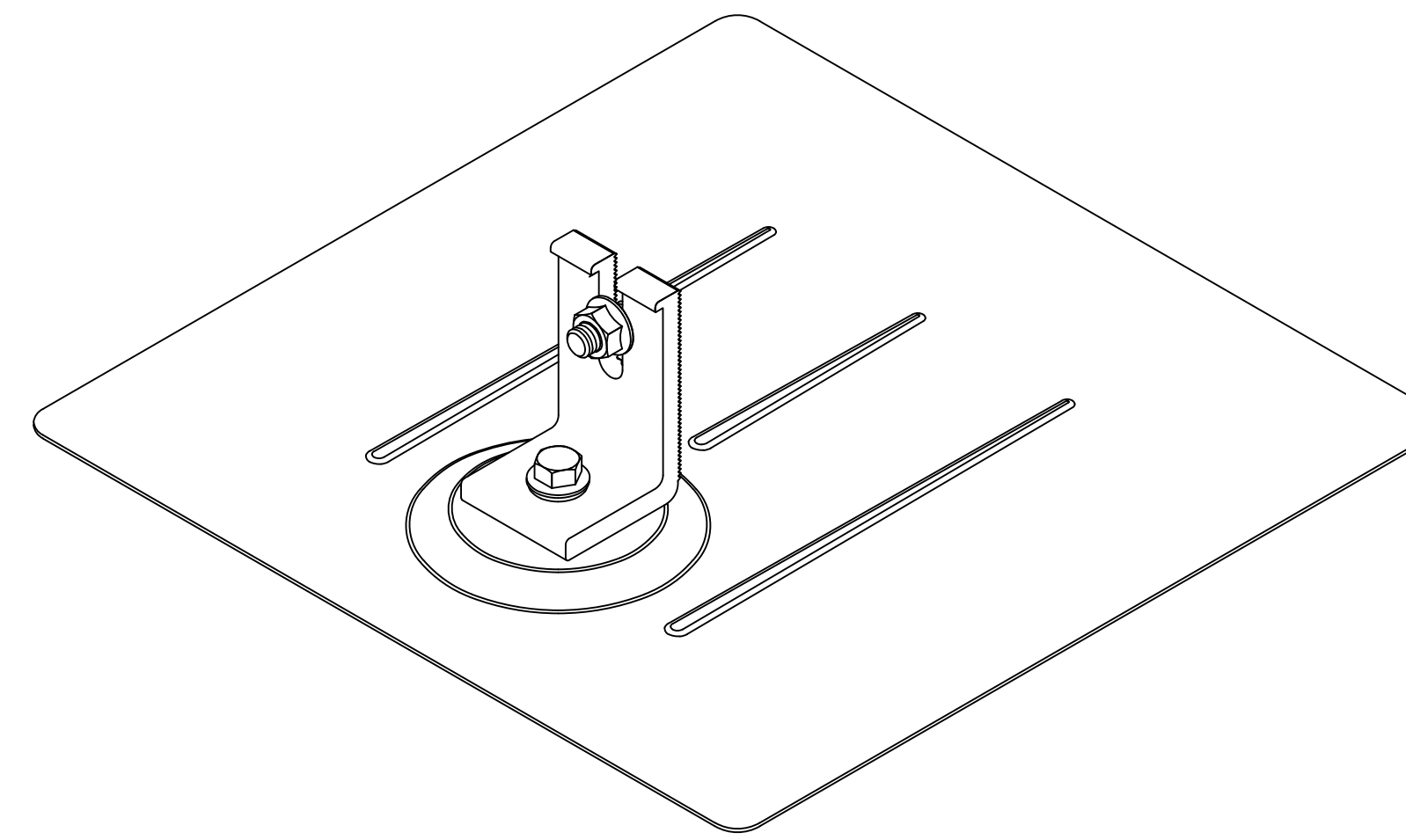
K DETAIL, SPLICE CONNECTION, XR1000
6"=1'-0"



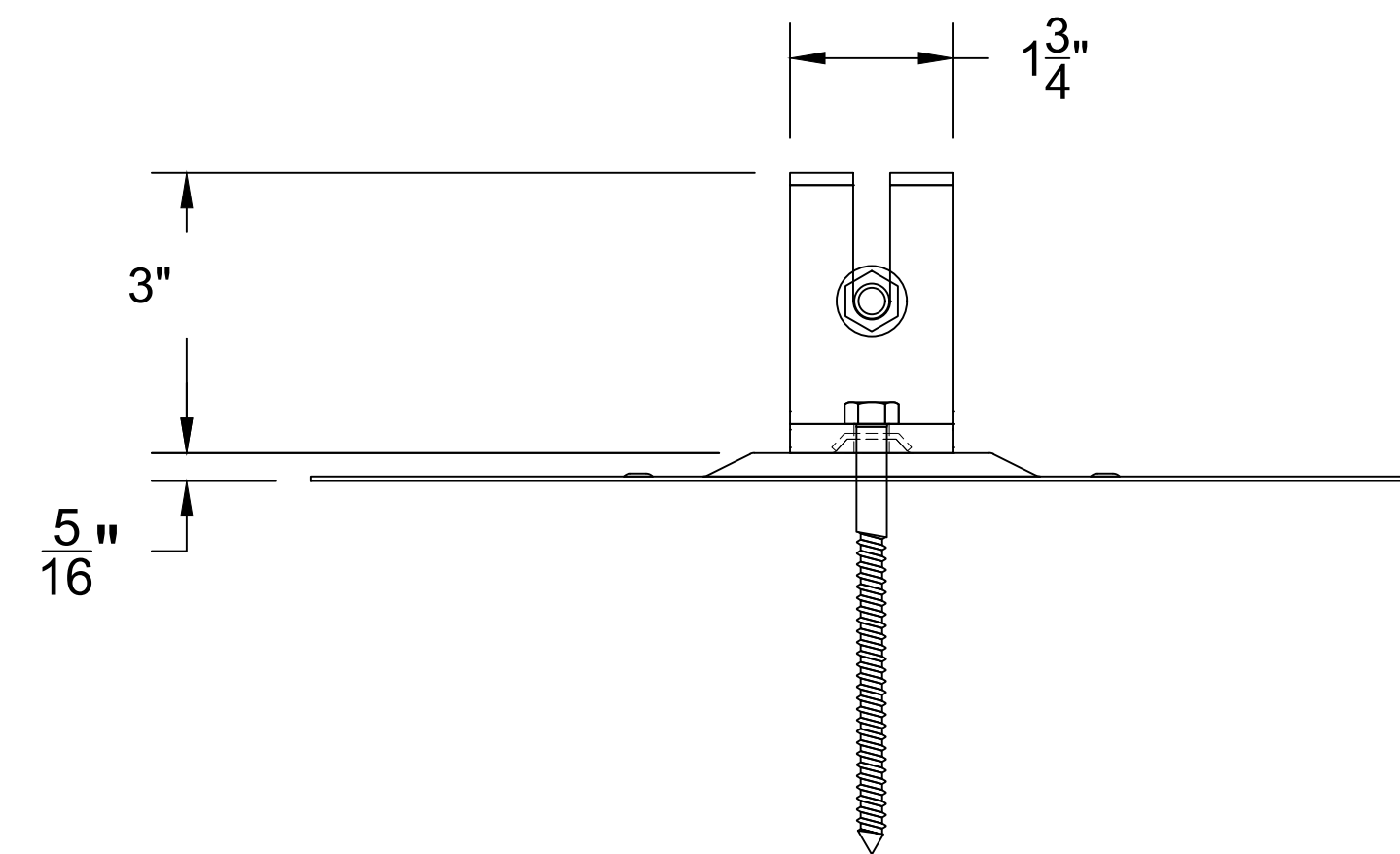
L DETAIL, EXPANSION JOINT CONNECTION, XR1000
6"=1'-0"



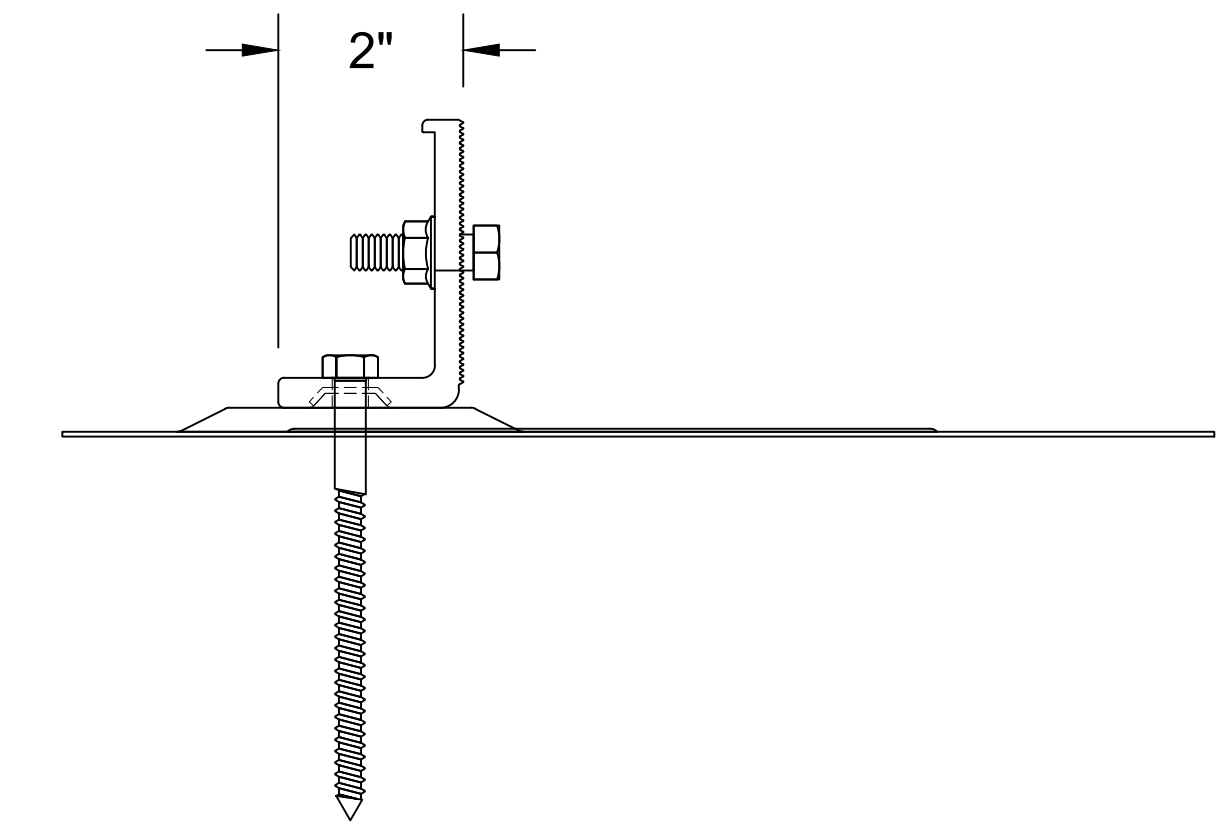
M DETAIL, SPLICE, XR1000
1'-0"=1'-0"



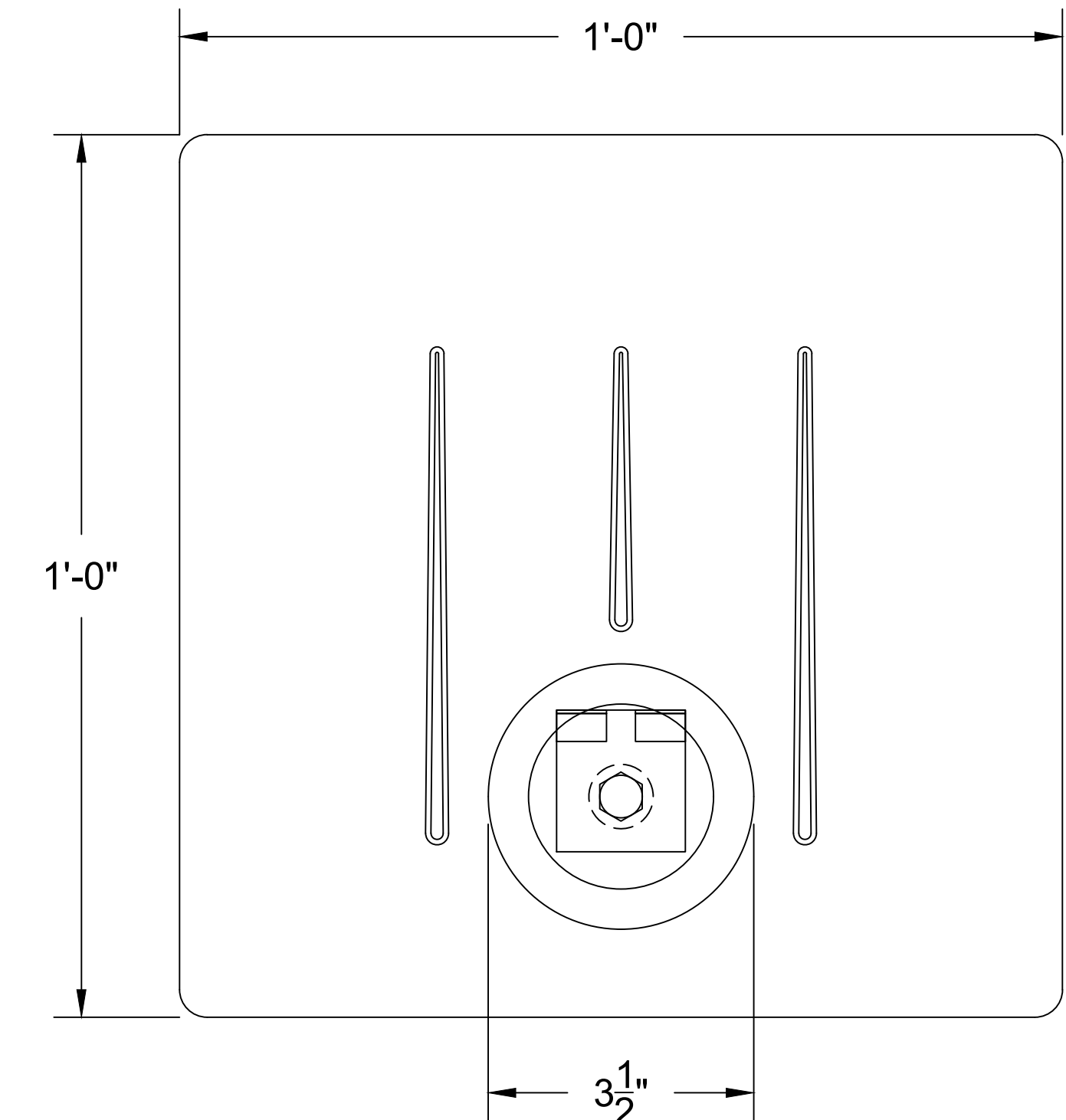
N IRONRIDGE FLASHFOOT STANDOFF



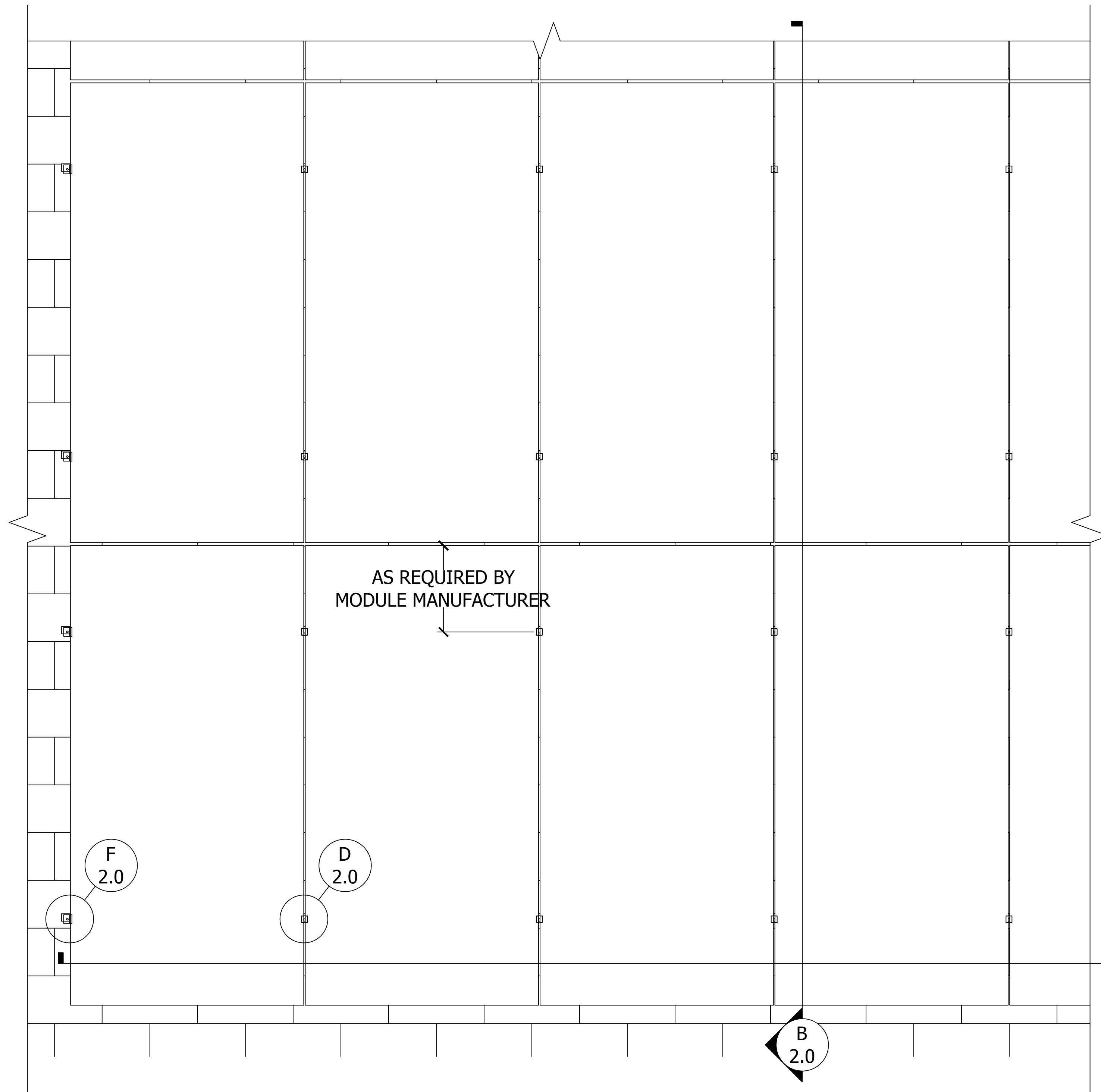
R IRONRIDGE FLASHFOOT STANDOFF, FRONT VIEW



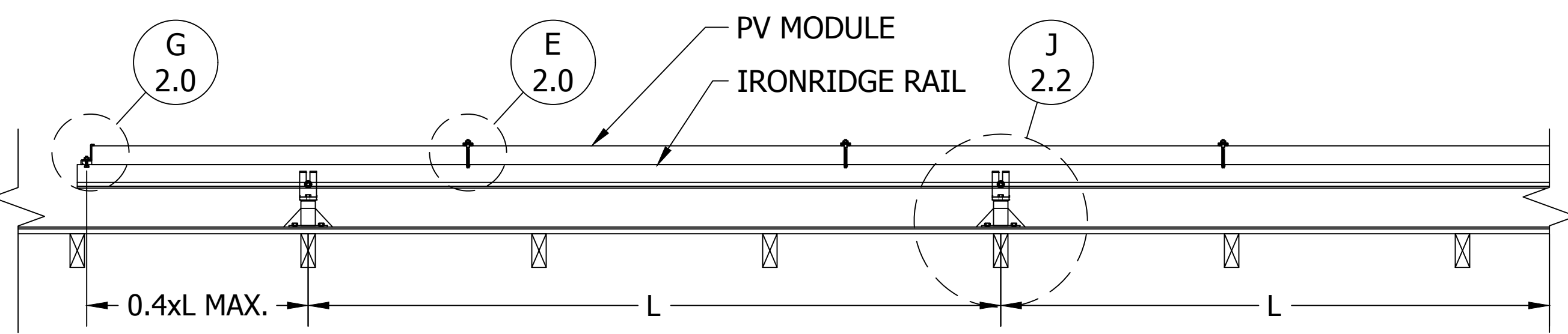
P IRONRIDGE FLASHFOOT STANDOFF, SIDE VIEW



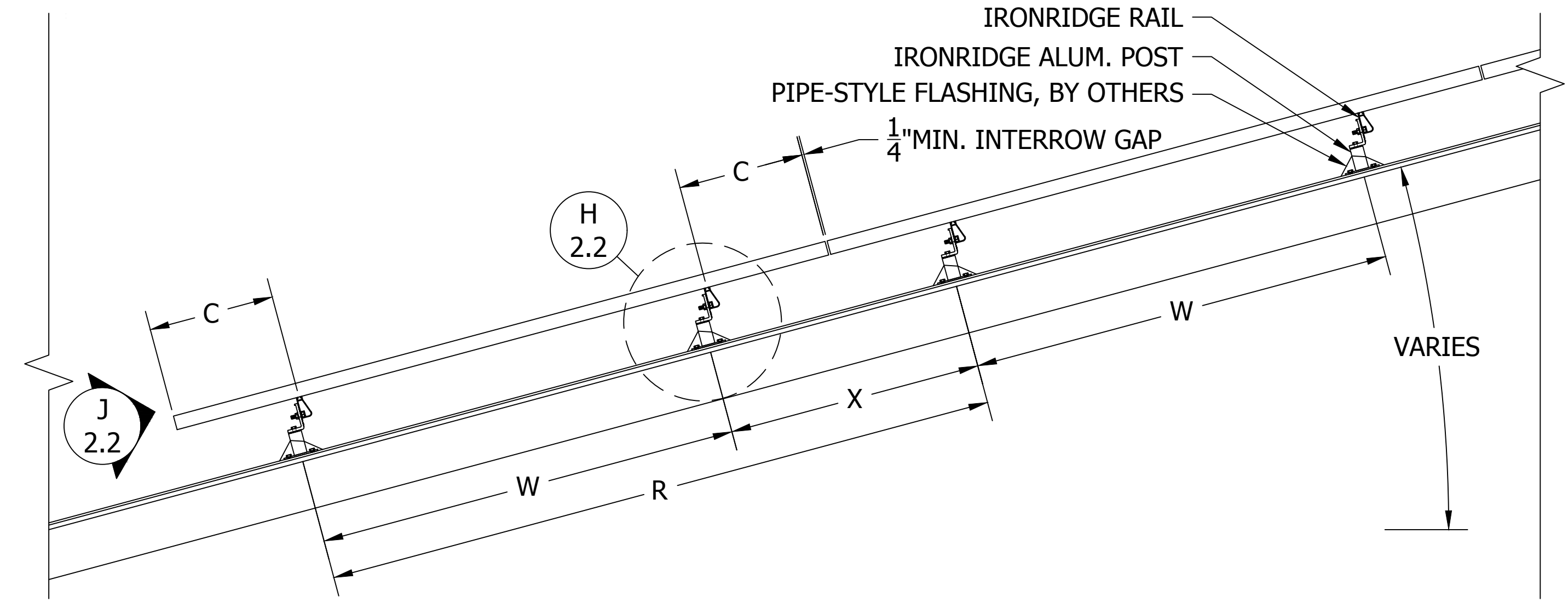
Q IRONRIDGE FLASHFOOT STANDOFF, PLAN VIEW



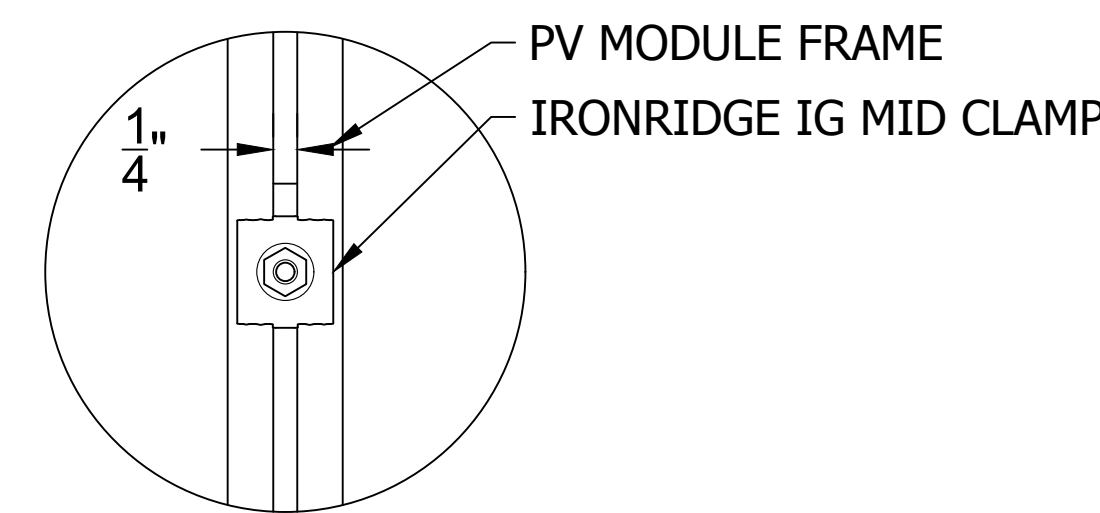
A PLAN VIEW, ALUMINUM POST, PORTRAIT MODULE
Scale: 1"=1'-0"



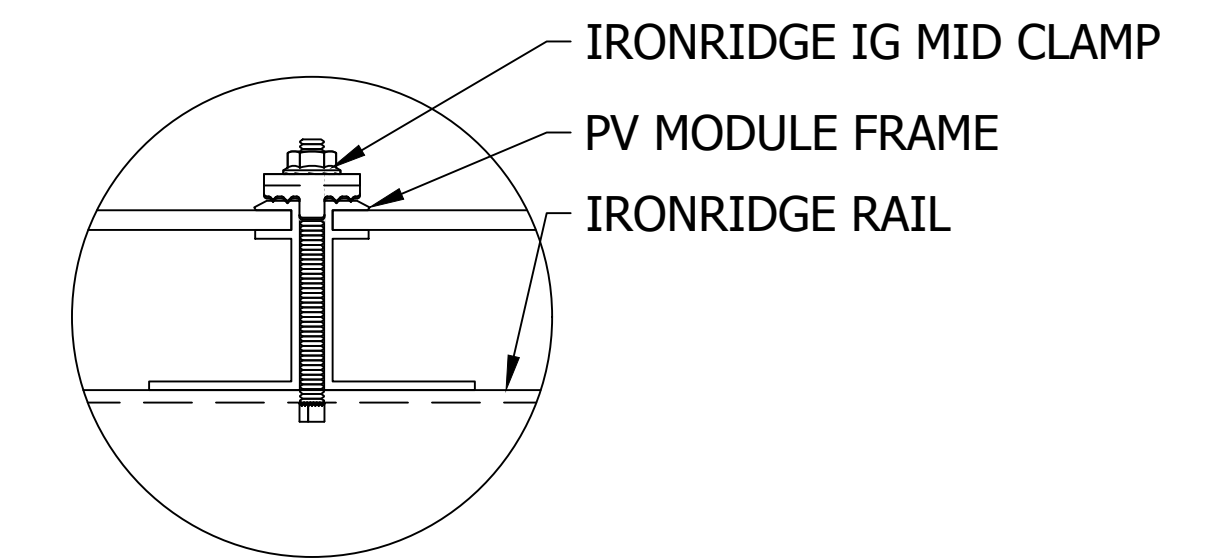
C FRONT VIEW, ALUMINUM POST, PORTRAIT MODULE
Scale: 1"=1'-0"



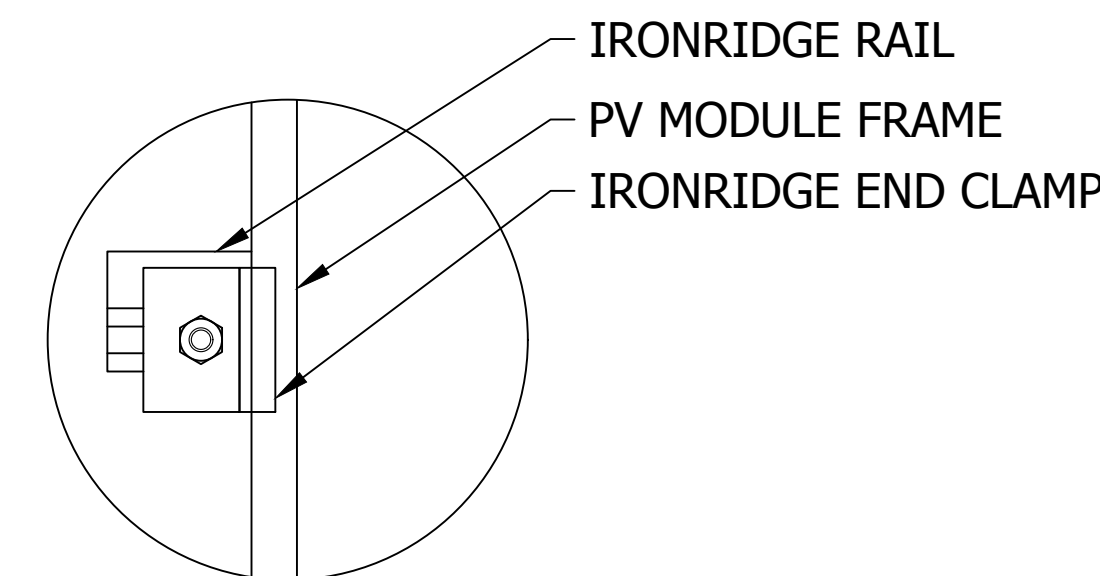
B SIDE VIEW, ALUMINUM POST, PORTRAIT MODULE
Scale: 1"=1'-0"



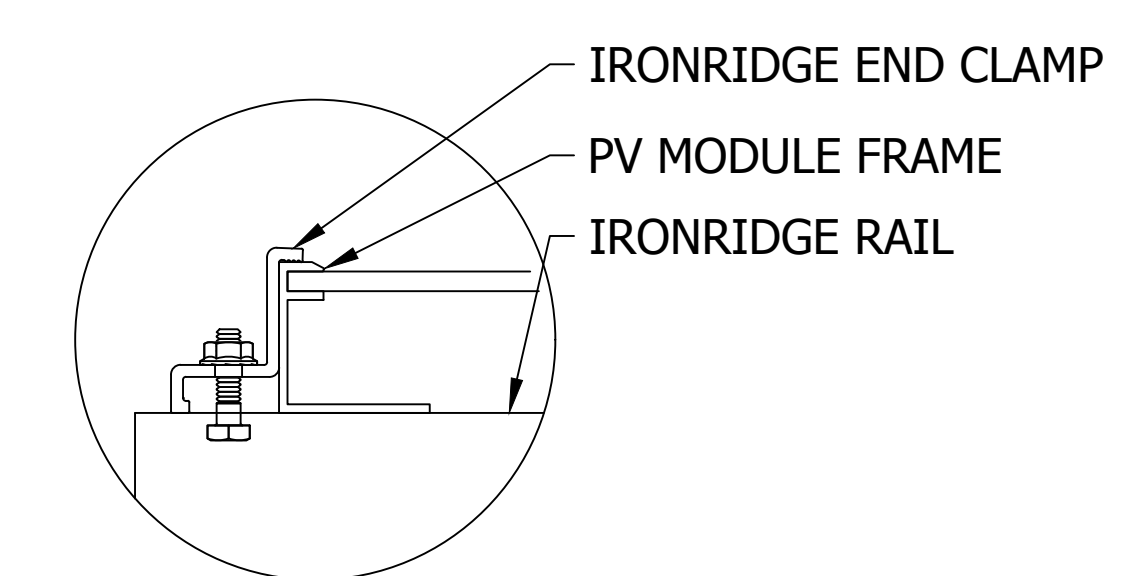
D DETAIL, MID CLAMP PLAN
Scale: 6"=1'-0"



E DETAIL, MID CLAMP FRONT
Scale: 6"=1'-0"



F DETAIL, END CLAMP PLAN
Scale: 6"=1'-0"



G DETAIL, END CLAMP FRONT
Scale: 6"=1'-0"

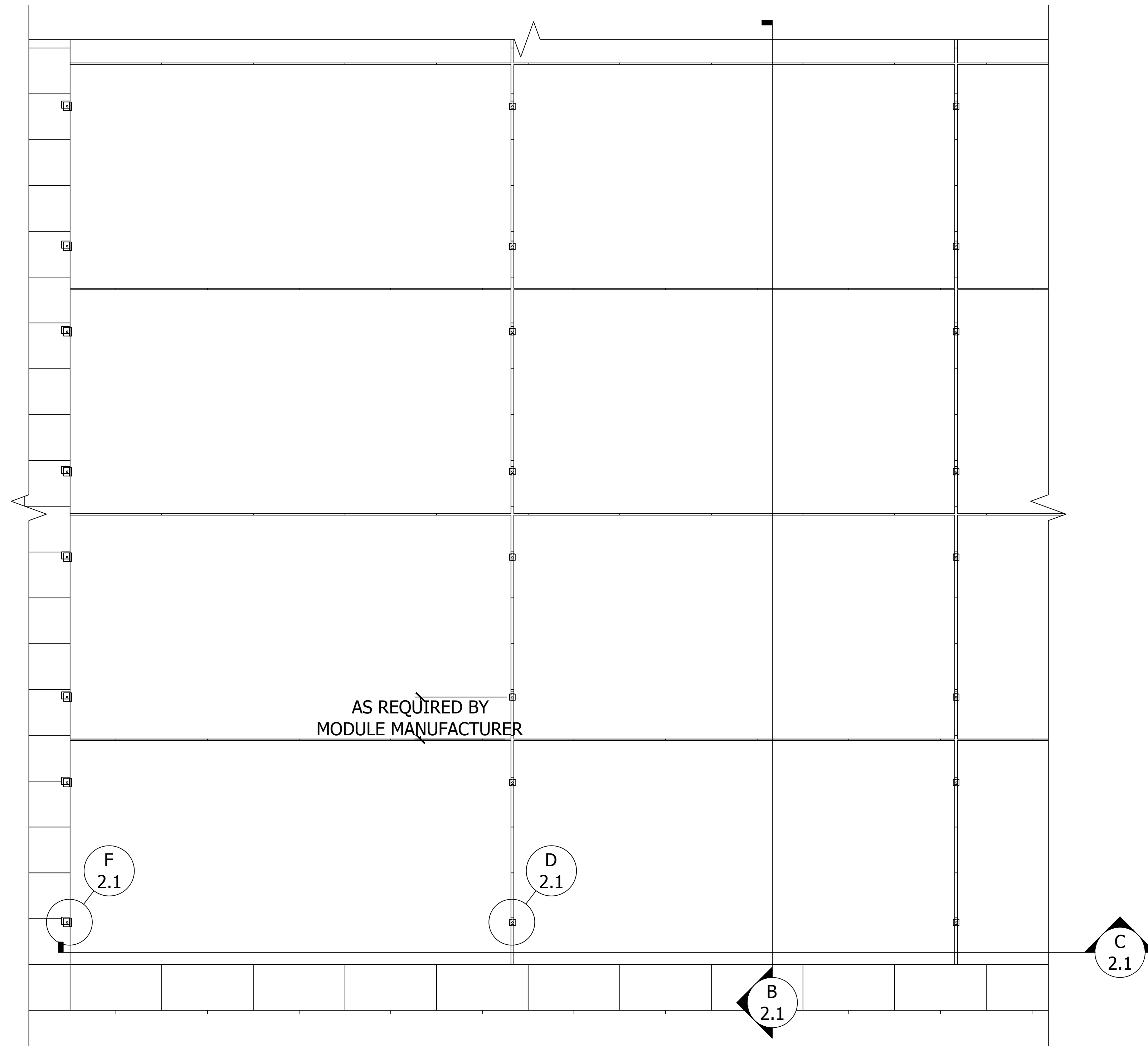
CLIENT NAME	IRONRIDGE
PROJECT NAME	SLOPED ROOF MOUNT SYSTEM
PROJECT ADDRESS	
SYSTEM KW/DC	

WIND SPEED, MPH	-
SNOW LOAD, PSF	-
EXPOSURE CAT	-
RISK CAT	-
MODULE TYPE	72-CELL, GENERIC
MODULE W/DC	-
MODULE QTY	-

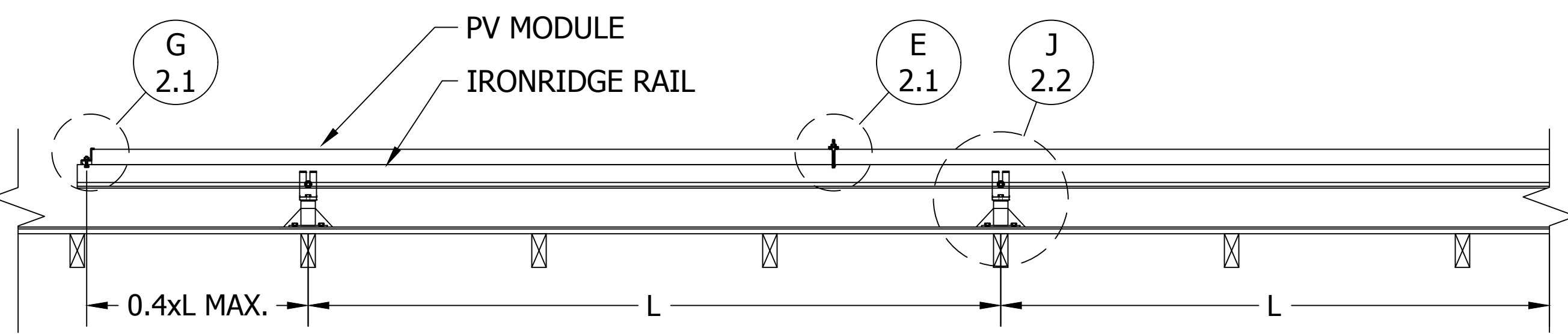
NOT FOR CONSTRUCTION

REV	DESCRIPTION	DATE

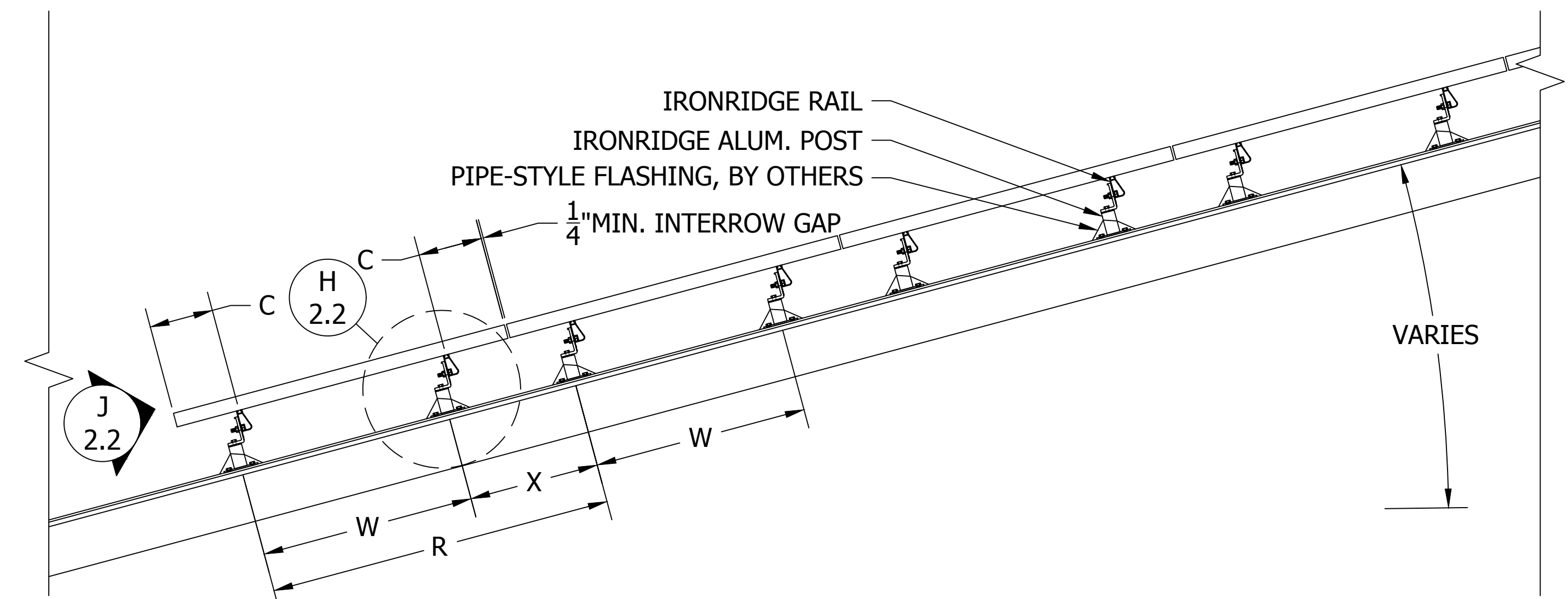
SHEET NAME	
SLOPED ROOF PV SYSTEM DETAILS: ALUMINUM POST	
JOB NO.	3.1 SR
ISSUE DATE	XX FEB 2016
SHEET NO.	IR 2.0
SHEET SIZE	24X36



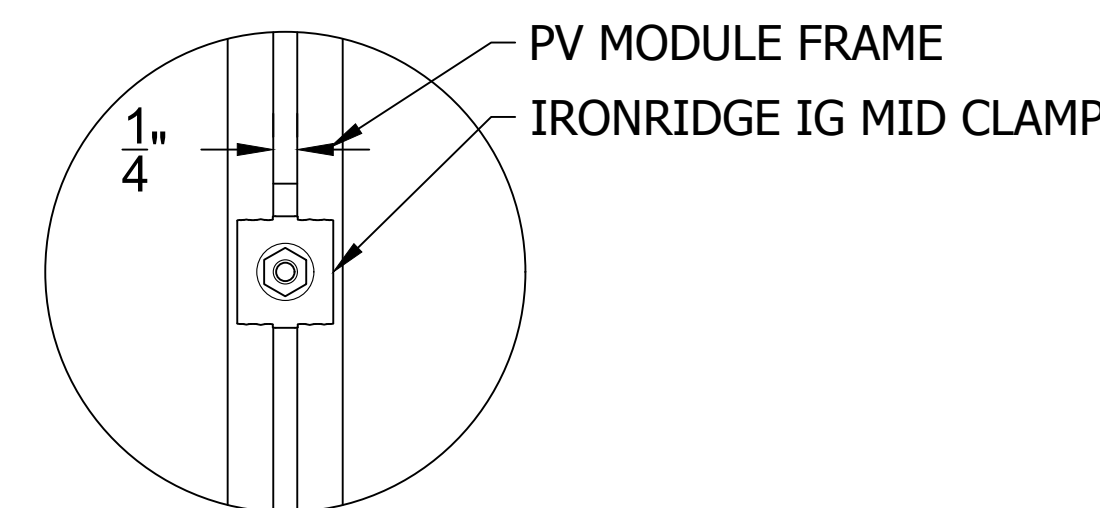
A PLAN VIEW, ALUMINUM POST MOUNT, LANDSCAPE MODULE
Scale: 1"=1'-0"



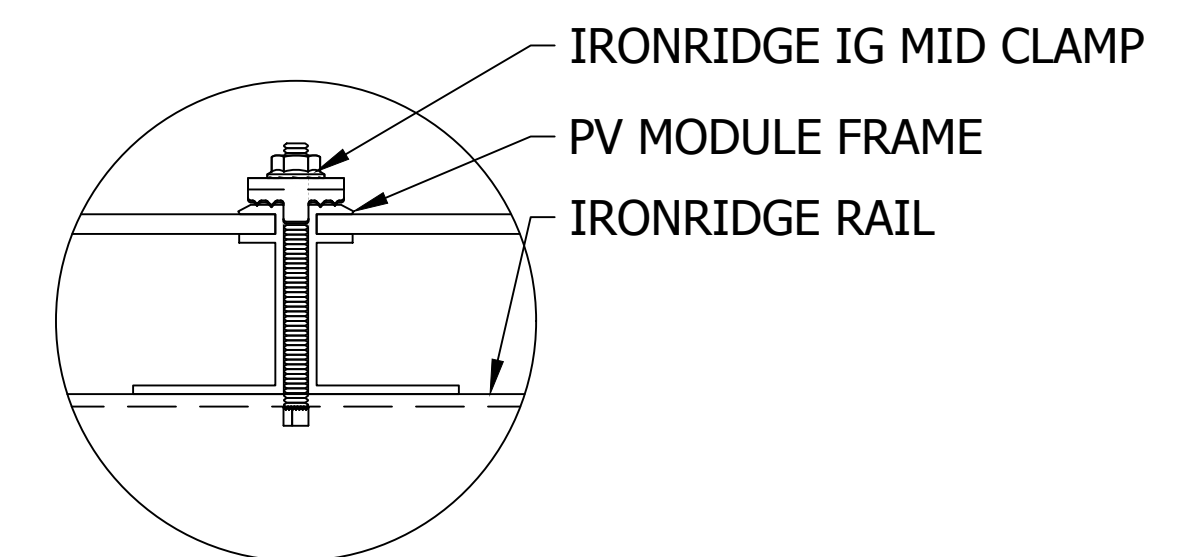
C FRONT VIEW, ALUMINUM POST MOUNT, LANDSCAPE MODULE
Scale: 1"=1'-0"



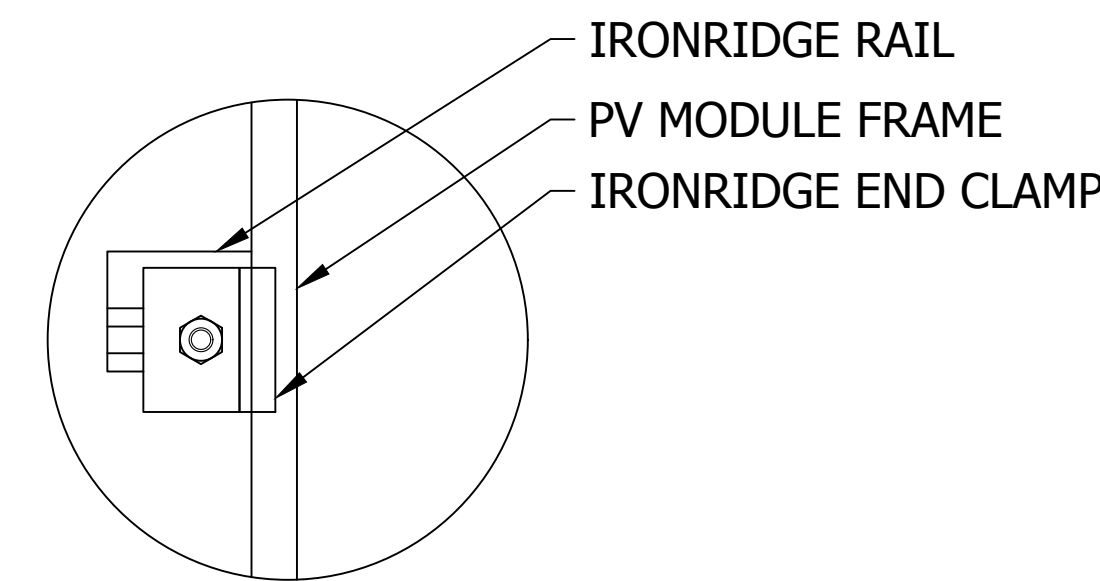
B SIDE VIEW, ALUMINUM POST MOUNT, LANDSCAPE MODULE
Scale: 1"=1'-0"



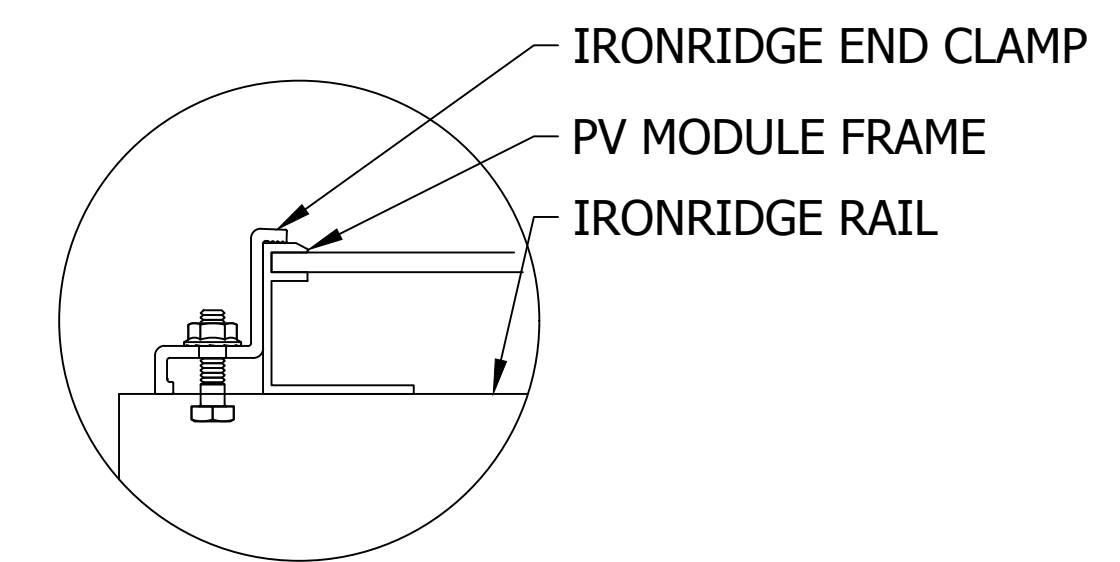
D DETAIL, MID CLAMP PLAN
Scale: 6"=1'-0"



E DETAIL, MID CLAMP FRONT
Scale: 6"=1'-0"



F DETAIL, END CLAMP PLAN
Scale: 6"=1'-0"



G DETAIL, END CLAMP FRONT
Scale: 6"=1'-0"

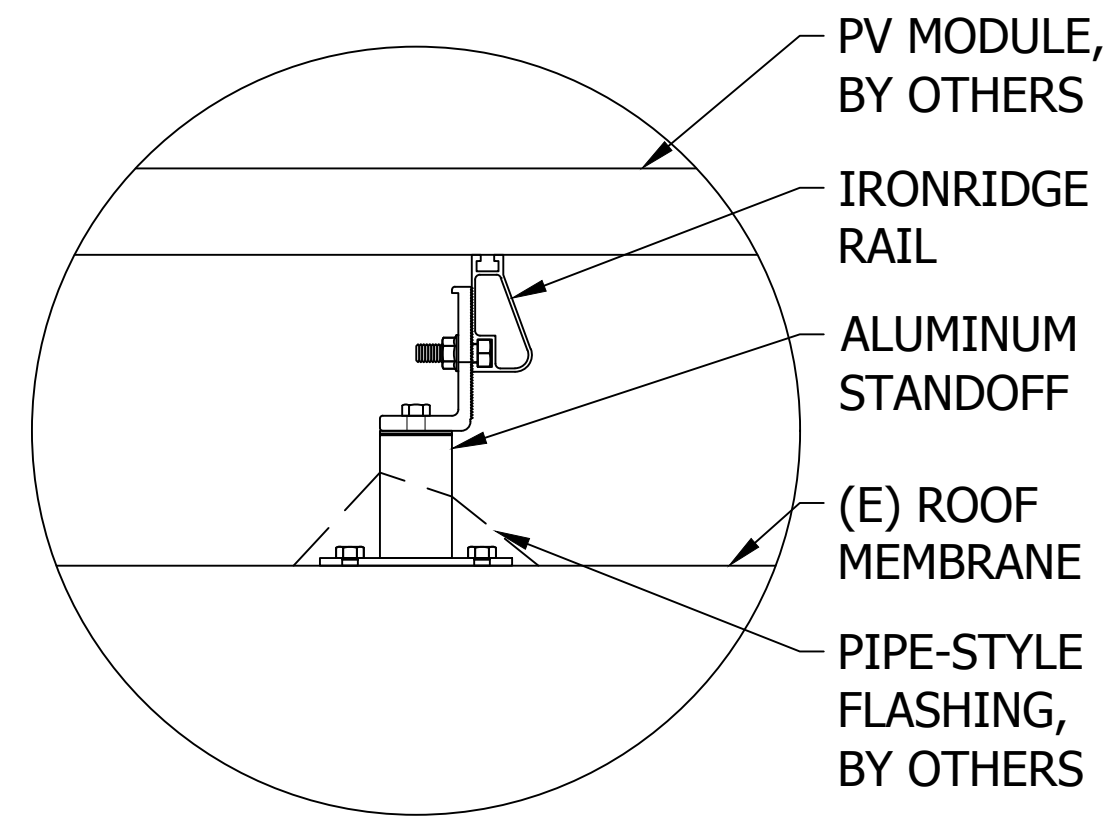
CLIENT NAME	IRONRIDGE
PROJECT NAME	SLOPED ROOF MOUNT SYSTEM
PROJECT ADDRESS	
SYSTEM KW/DC	

WIND SPEED, MPH	-
SNOW LOAD, PSF	-
EXPOSURE CAT	-
RISK CAT	72-CELL, GENERIC
MODULE TYPE	-
MODULE W/DC	-
MODULE QTY	-

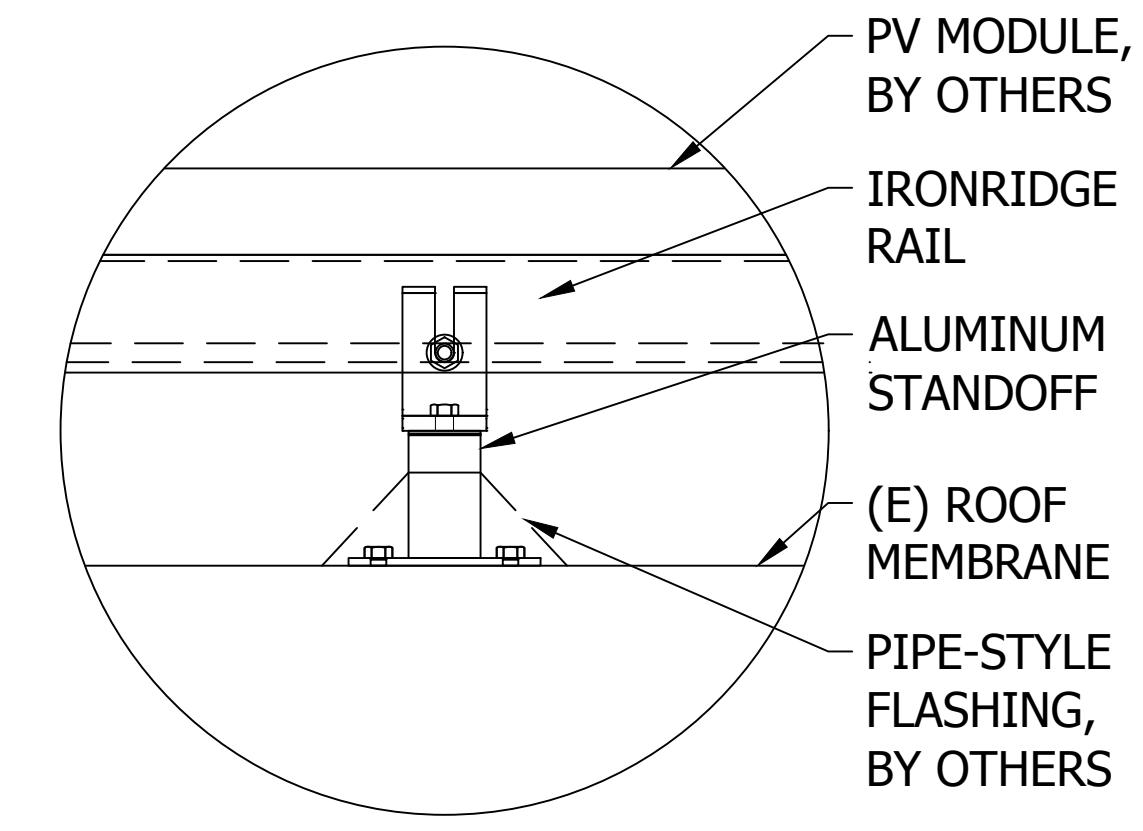
NOT FOR CONSTRUCTION

REV	DESCRIPTION	DATE

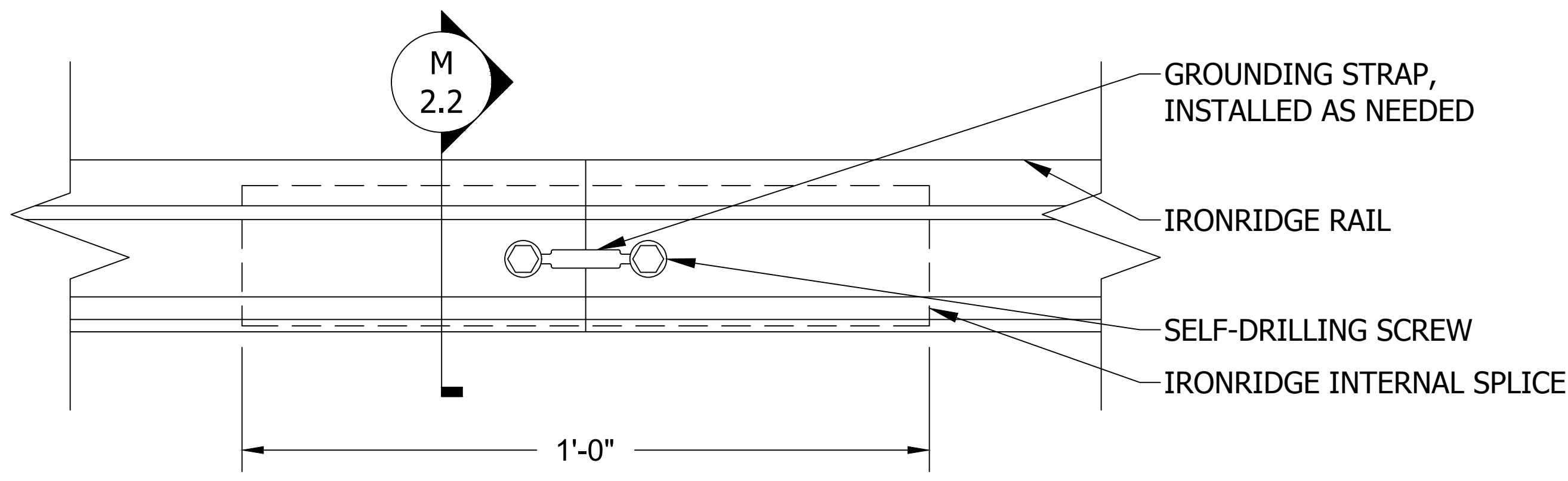
SHEET NAME	
SLOPED ROOF PV SYSTEM DETAILS: ALUMINUM POST	
JOB NO.	3.1 SR
ISSUE DATE	XX FEB 2016
SHEET NO.	IR 2.1
SHEET SIZE	24X36



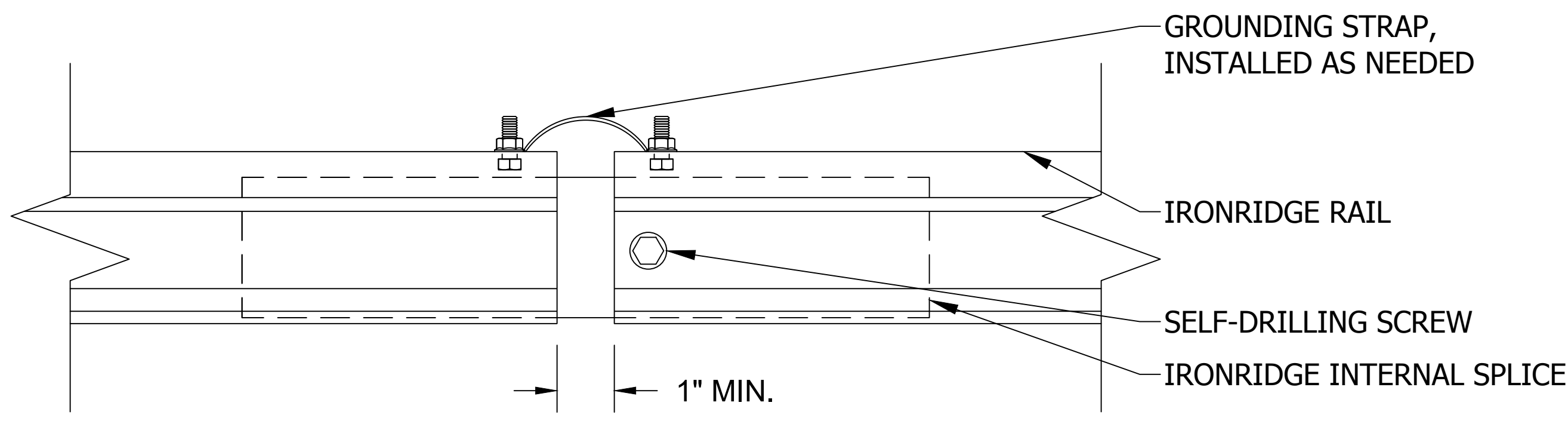
H STANDOFF DETAIL
Scale: 3"=1'-0"



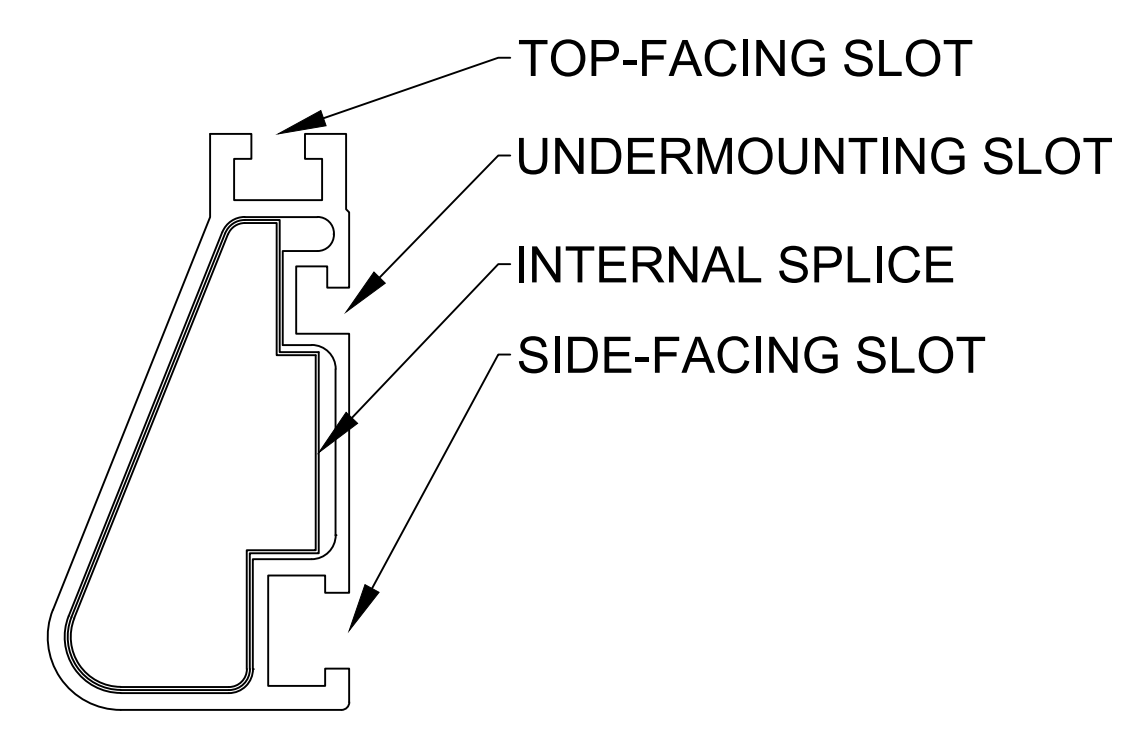
J STANDOFF DETAIL
Scale: 3"=1'-0"



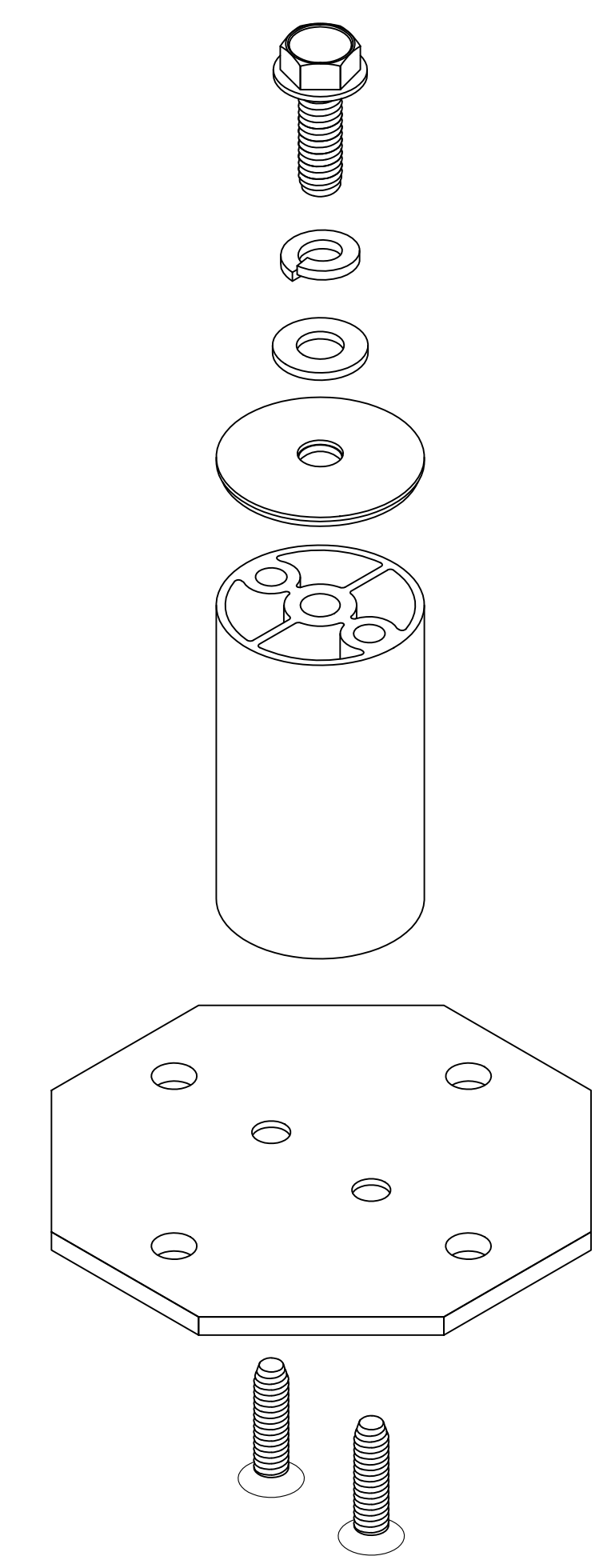
K DETAIL, SPLICE CONNECTION, XR1000
6"=1'-0"



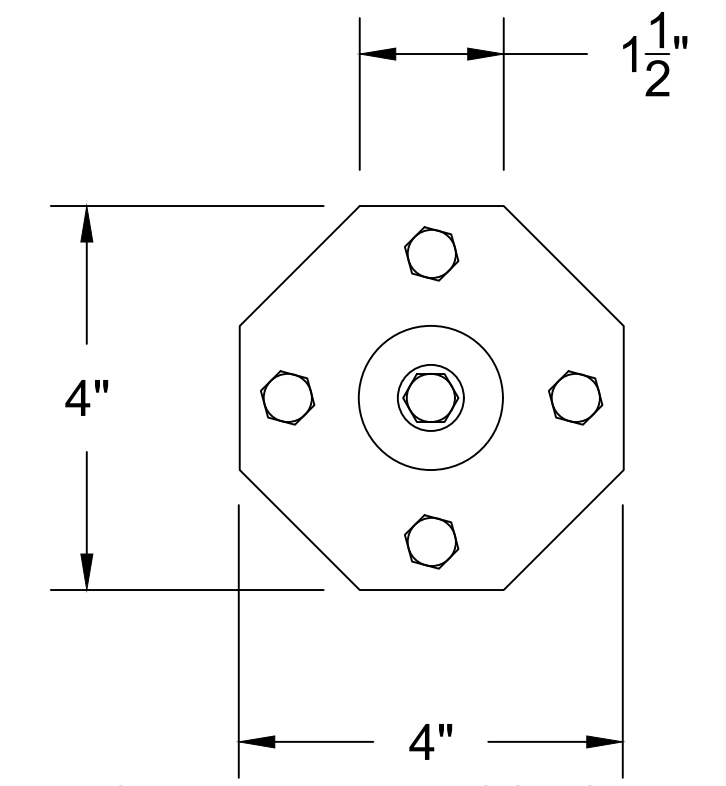
L DETAIL, EXPANSION JOINT CONNECTION, XR1000
6"=1'-0"



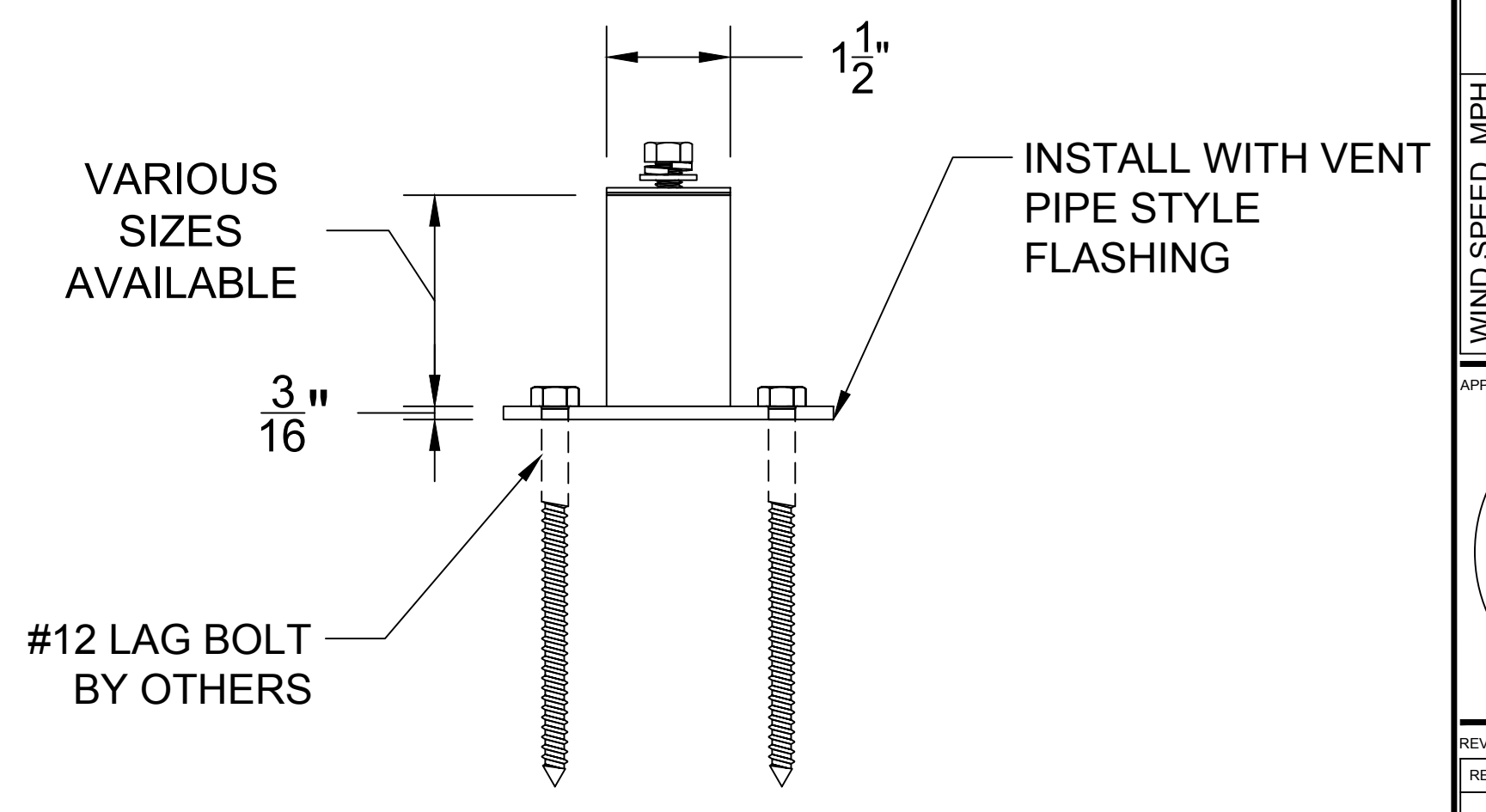
M DETAIL, SPLICE, XR1000
1'-0"=1'-0"



N IRONRIDGE ALUMINUM POST STANDOFF



P IRONRIDGE ALUMINUM POST STANDOFF, PLAN VIEW



Q IRONRIDGE ALUMINUM POST STANDOFF, SIDE VIEW

IRONRIDGE	
CLIENT NAME	SLOPED ROOF MOUNT SYSTEM
PROJECT NAME	
PROJECT ADDRESS	
SYSTEM KW DC	

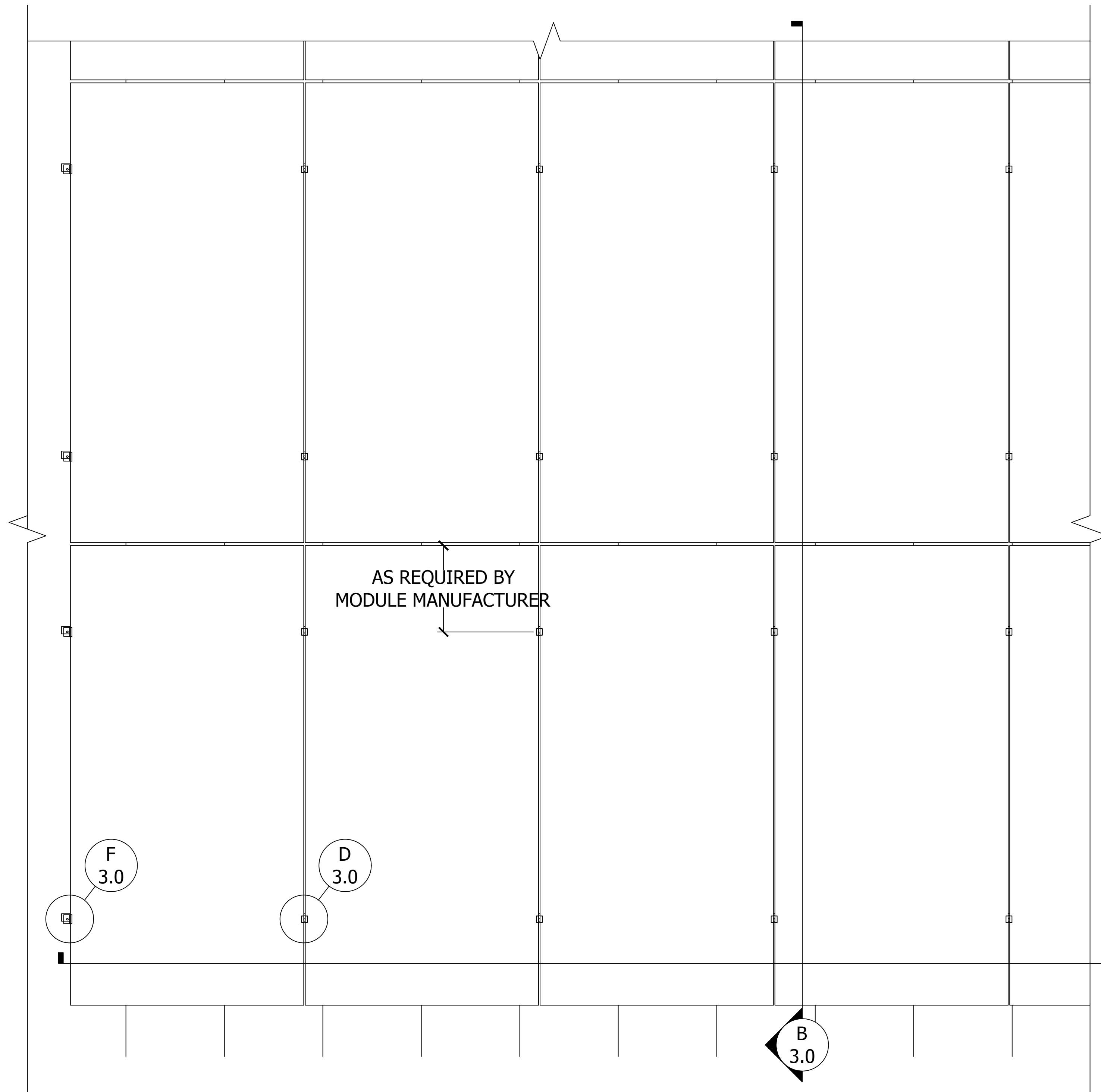
WIND SPEED, MPH	
SNOW LOAD, PSF	
EXPOSURE CAT	
RISK CAT	72-CELL, GENERIC
MODULE TYPE	
MODULE W DC	
MODULE QTY	

APPROVAL STATUS

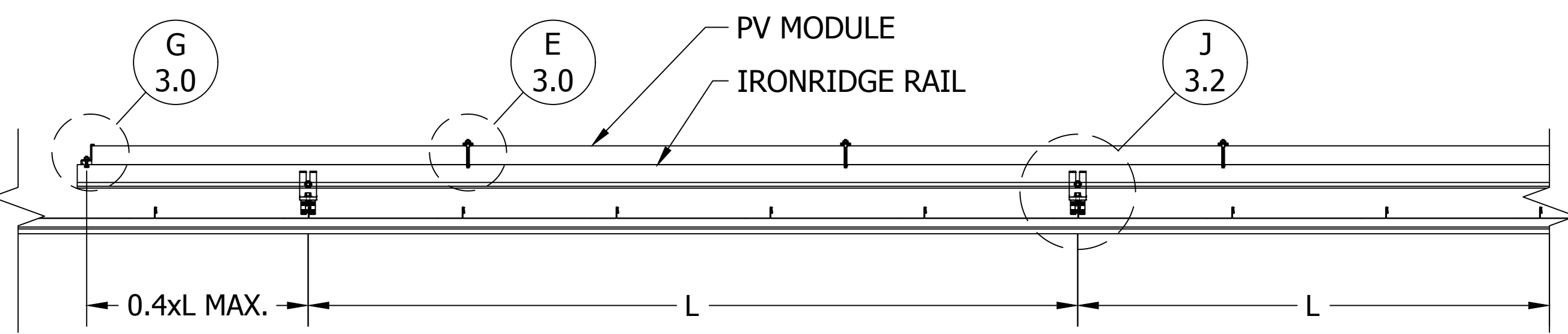
NOT FOR CONSTRUCTION

REV	DESCRIPTION	DATE

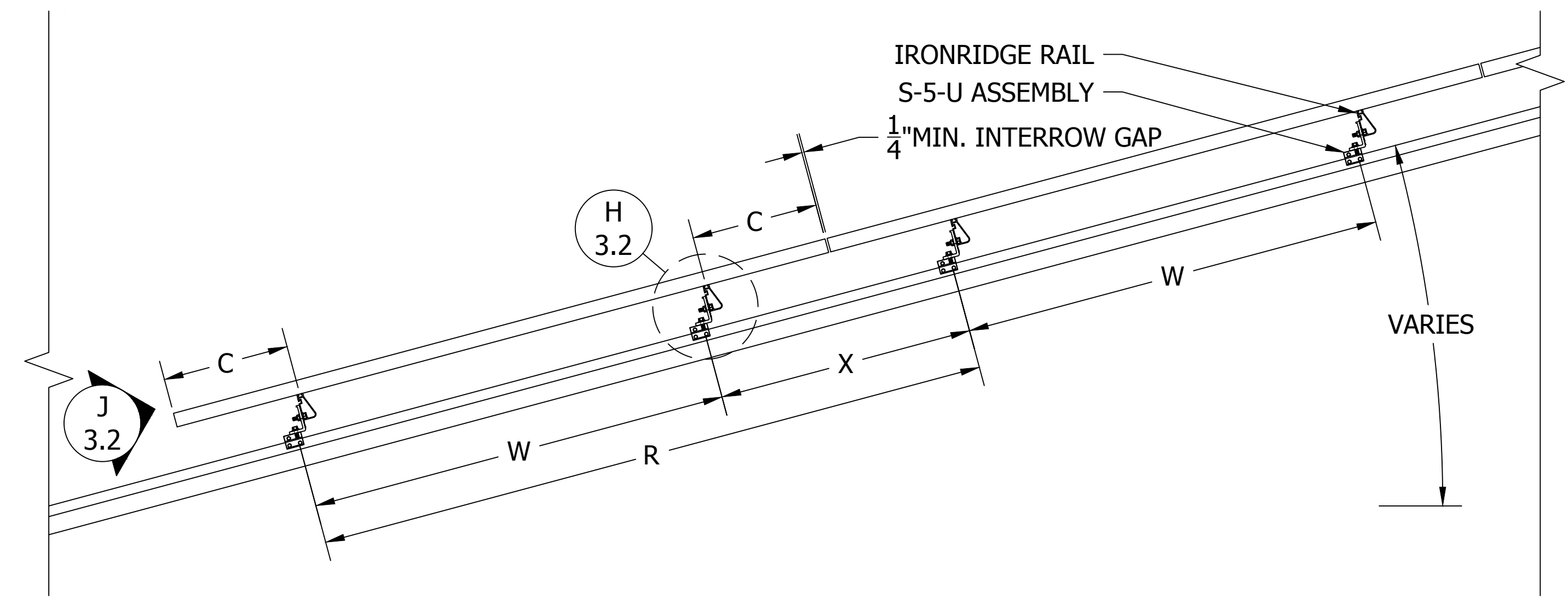
SHEET NAME	
SLOPED ROOF PV SYSTEM DETAILS: ALUMINUM POST	
JOB NO.	3.1 SR
ISSUE DATE	XX FEB 2016
SHEET NO.	IR 2.2
SHEET SIZE	24X36



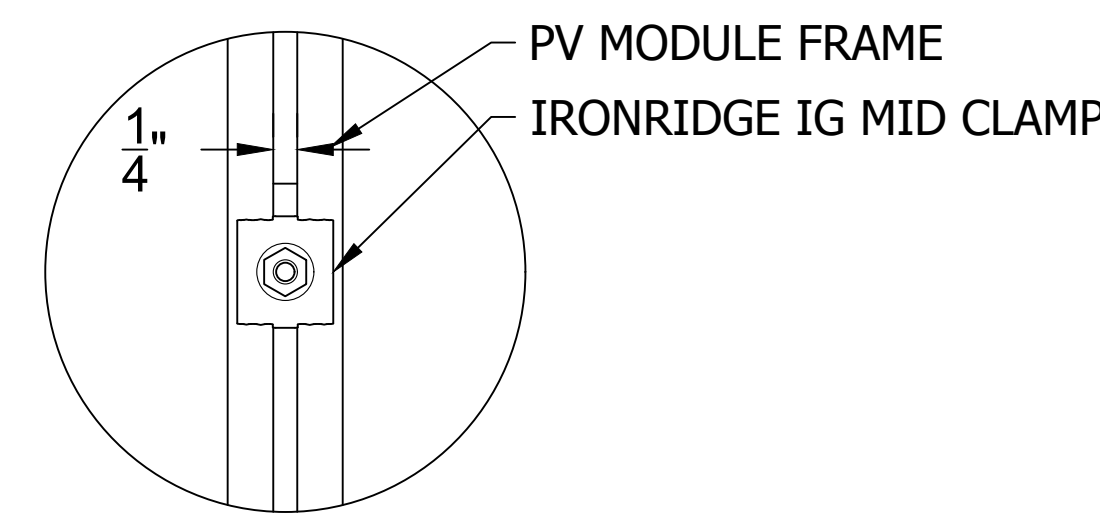
A PLAN VIEW, S-5-U ASSEMBLY MOUNT, PORTRAIT MODULE
Scale: 1"=1'-0"



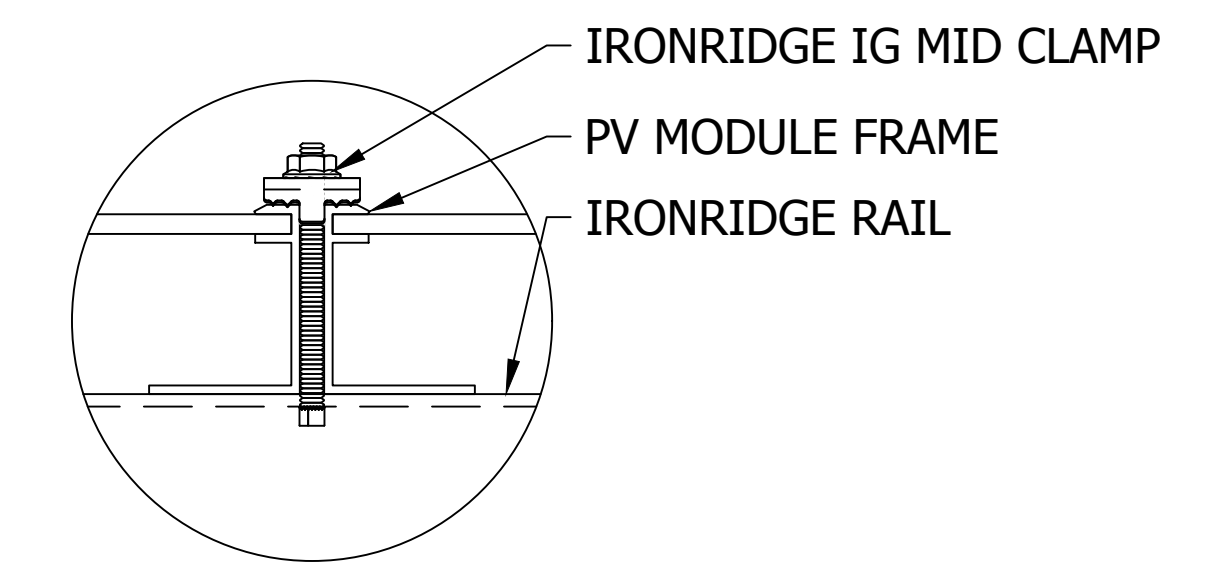
C FRONT VIEW, S-5-U ASSEMBLY MOUNT, PORTRAIT MODULE
Scale: 1"=1'-0"



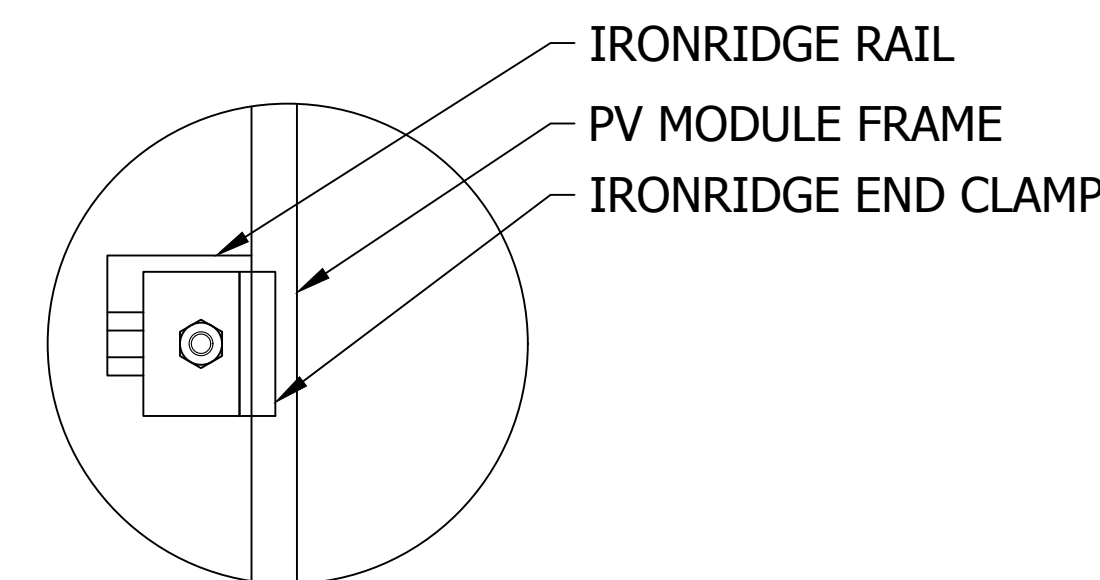
B SIDE VIEW, S-5-U ASSEMBLY MOUNT, PORTRAIT MODULE
Scale: 1"=1'-0"



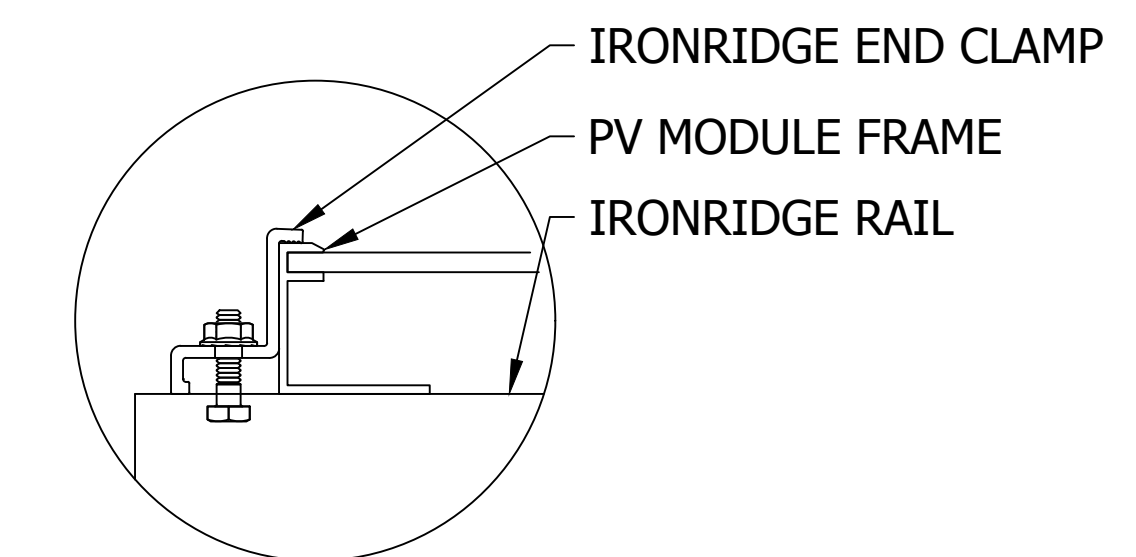
D DETAIL, MID CLAMP PLAN
Scale: 6"=1'-0"



E DETAIL, MID CLAMP FRONT
Scale: 6"=1'-0"



F DETAIL, END CLAMP PLAN
Scale: 6"=1'-0"



G DETAIL, END CLAMP FRONT
Scale: 6"=1'-0"

IRONRIDGE	CLIENT NAME	PROJECT NAME	PROJECT ADDRESS	SYSTEM KW/DC
		SLOPED ROOF MOUNT SYSTEM		

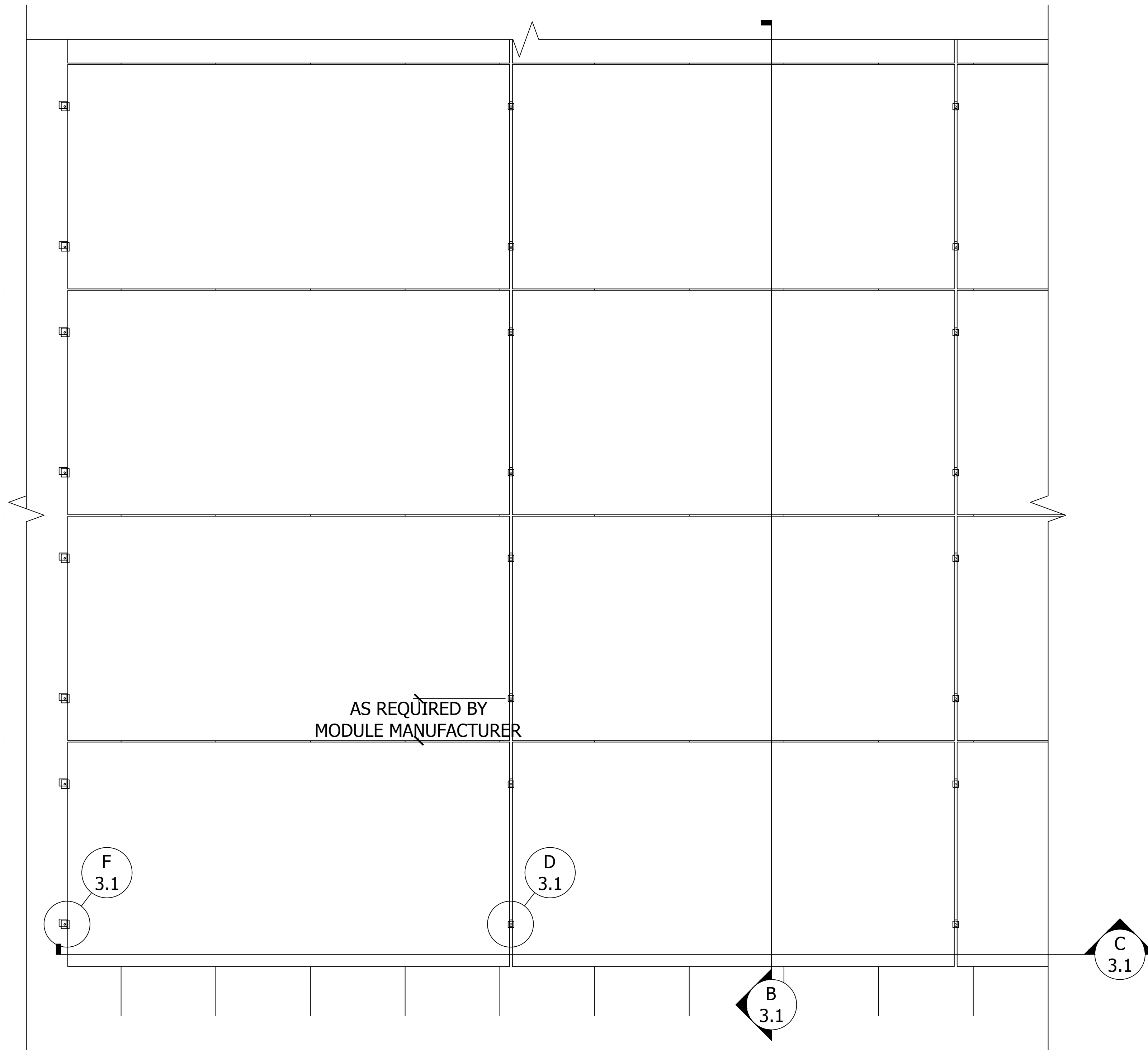
WIND SPEED, MPH	SNOW LOAD, PSF	EXPOSURE CAT	RISK CAT	MODULE TYPE	MODULE W/DC	MODULE QTY
-	-	-	-	72-CELL, GENERIC	-	-

APPROVAL STATUS

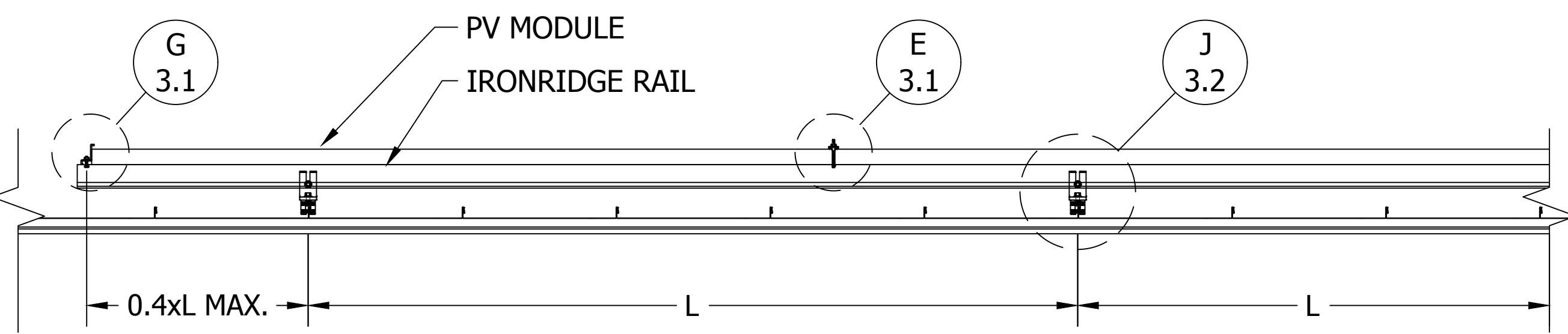
NOT FOR CONSTRUCTION

REV	DESCRIPTION	DATE

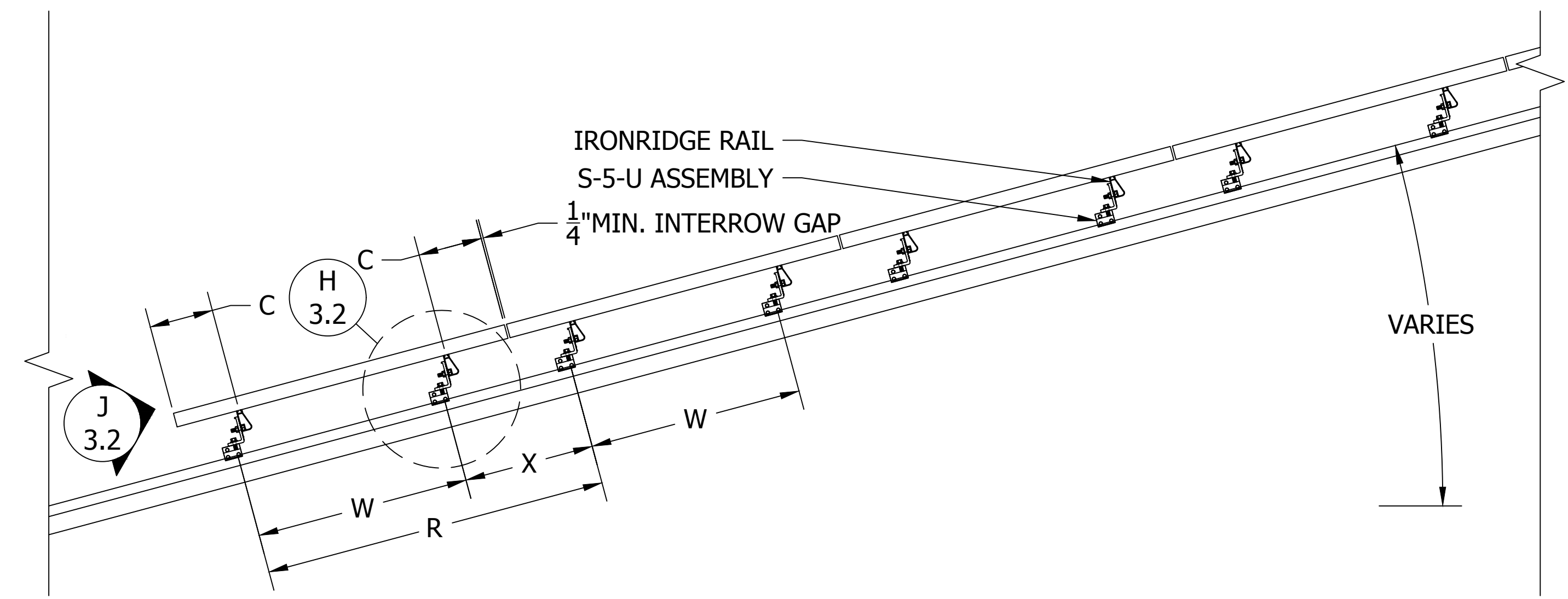
SHEET NAME	
SLOPED ROOF PV SYSTEM DETAILS: S-5-U ASSEMBLY	
JOB NO.	3.1 SR
ISSUE DATE	XX FEB 2016
SHEET NO.	IR 3.0
SHEET SIZE	24X36



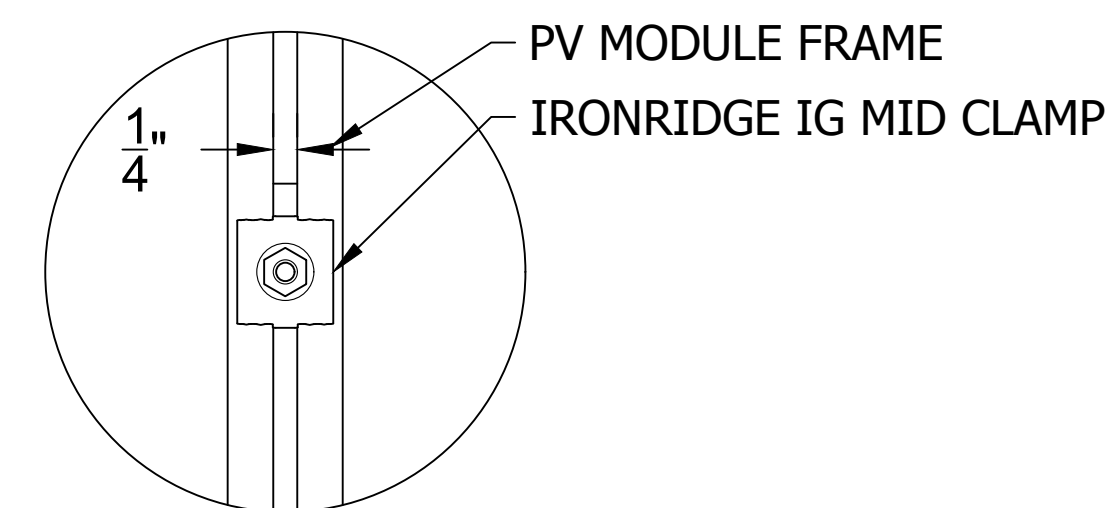
A PLAN VIEW, S-5-U ASSEMBLY MOUNT, LANDSCAPE MODULE
Scale: 1"=1'-0"



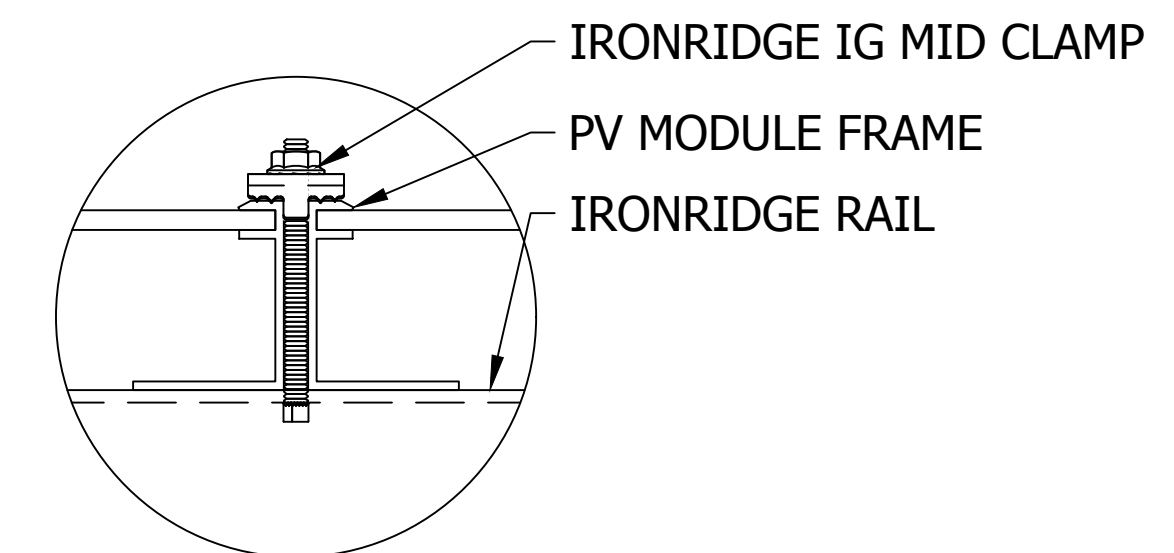
C FRONT VIEW, S-5-U ASSEMBLY MOUNT, LANDSCAPE MODULE
Scale: 1"=1'-0"



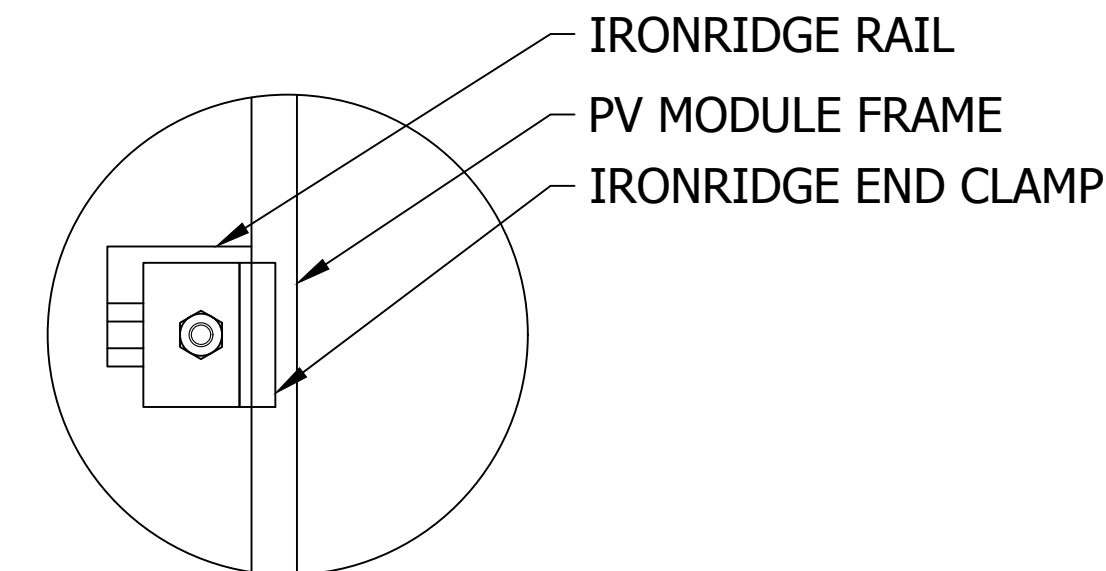
B SIDE VIEW, S-5-U ASSEMBLY MOUNT, LANDSCAPE MODULE
Scale: 1"=1'-0"



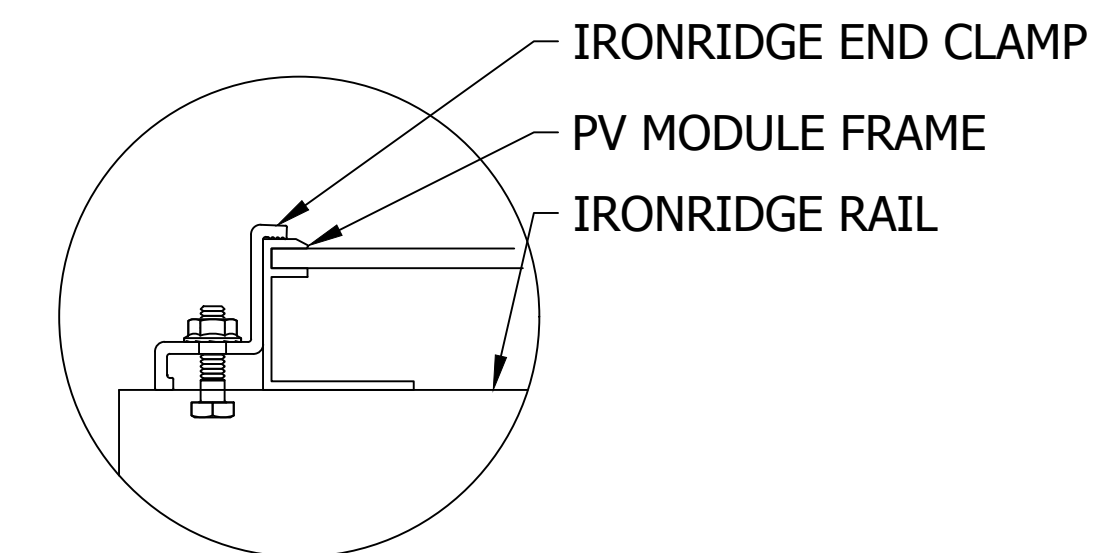
D DETAIL, MID CLAMP PLAN
Scale: 6"=1'-0"



E DETAIL, MID CLAMP FRONT
Scale: 6"=1'-0"



F DETAIL, END CLAMP PLAN
Scale: 6"=1'-0"



G DETAIL, END CLAMP FRONT
Scale: 6"=1'-0"

CLIENT NAME	IRONRIDGE
PROJECT NAME	SLOPED ROOF MOUNT SYSTEM
PROJECT ADDRESS	
SYSTEM KW/DC	

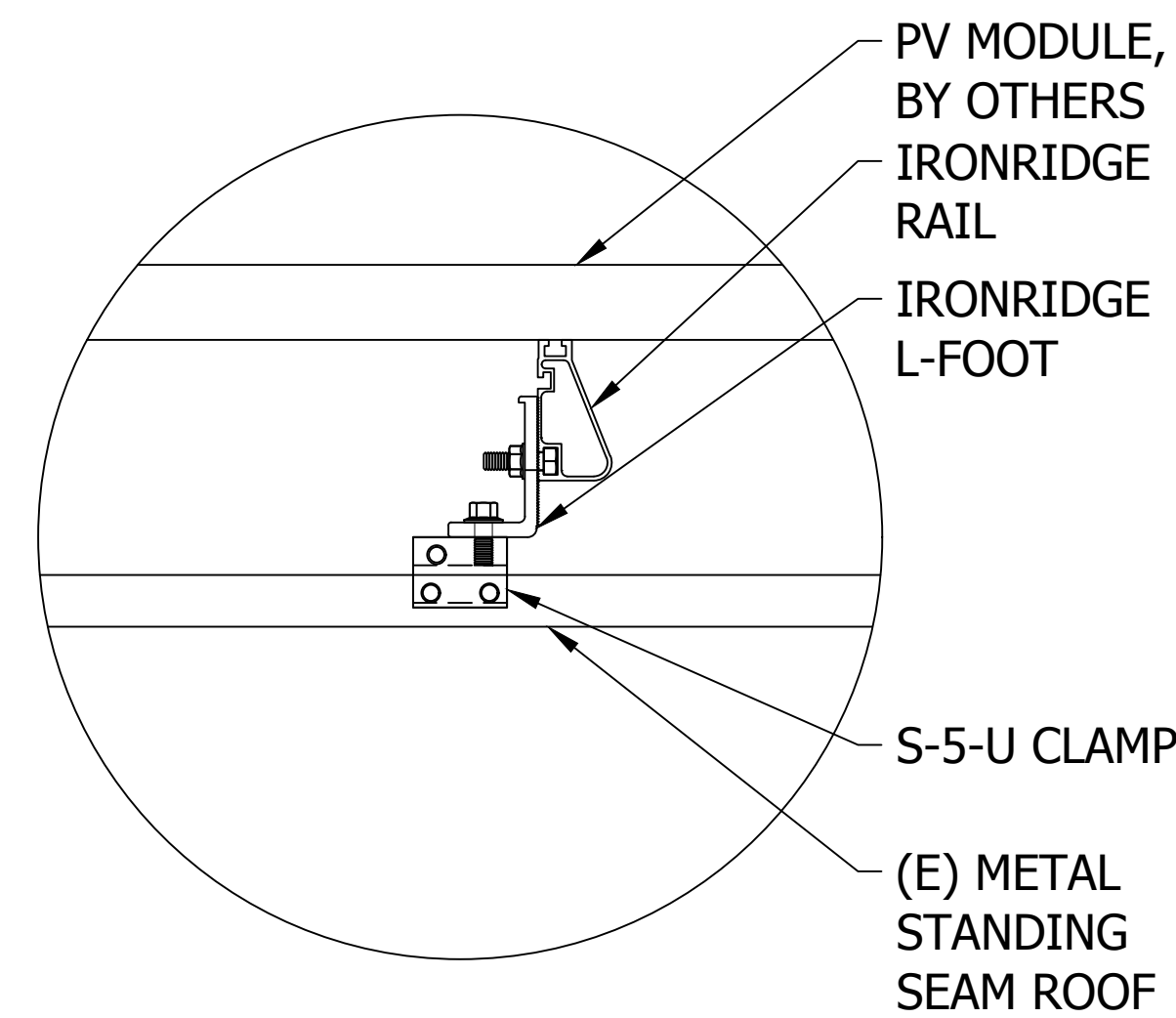
WIND SPEED, MPH	-
SNOW LOAD, PSF	-
EXPOSURE CAT	-
RISK CAT	72-CELL, GENERIC
MODULE TYPE	-
MODULE W/DC	-
MODULE QTY	-

APPROVAL STATUS

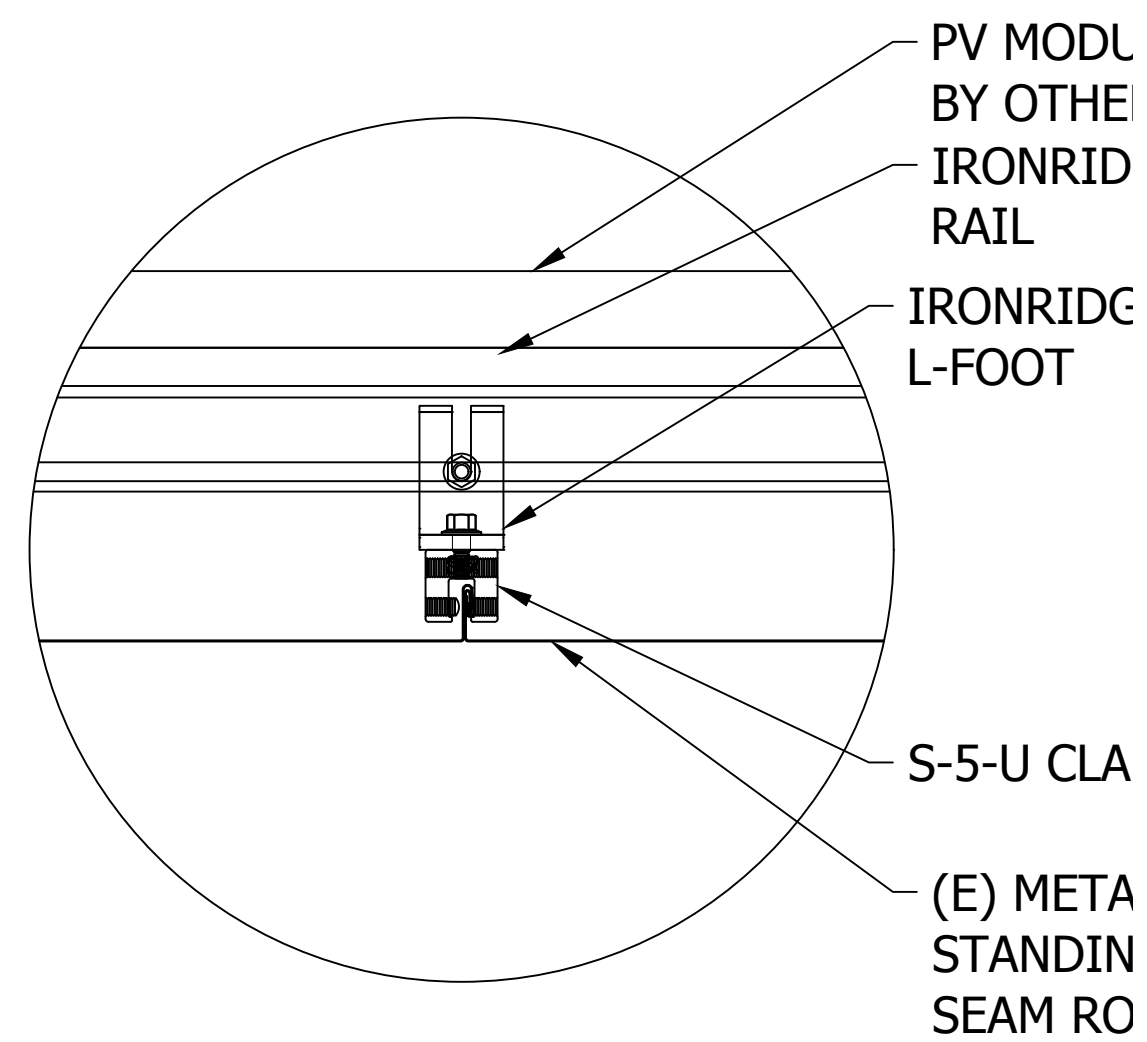
NOT FOR CONSTRUCTION

REV	DESCRIPTION	DATE

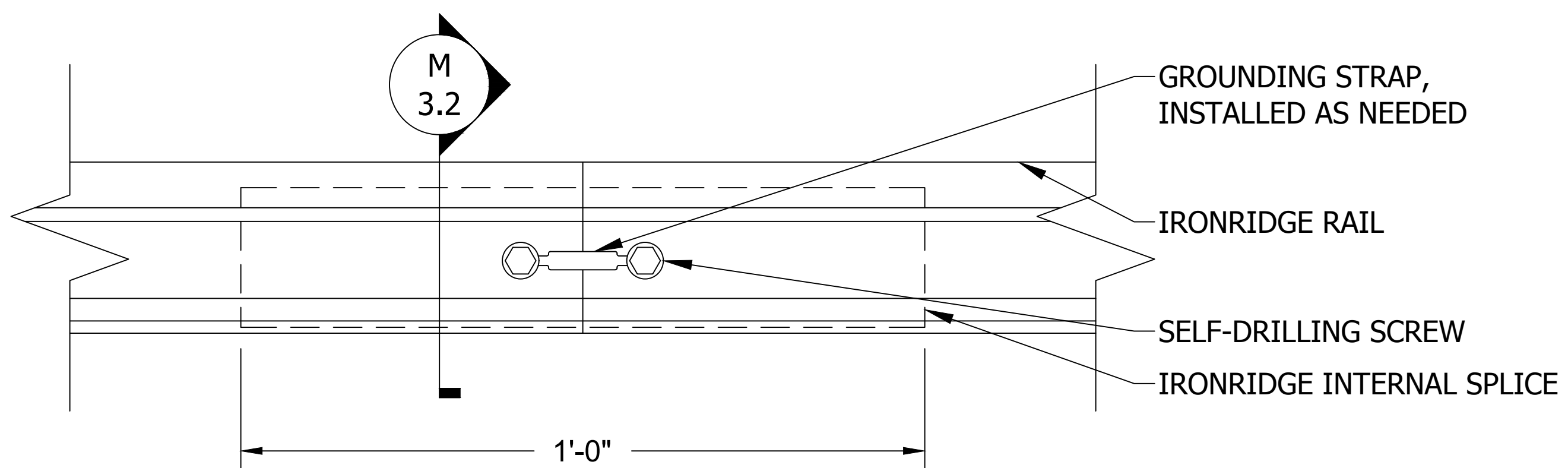
SHEET NAME	
SLOPED ROOF PV SYSTEM DETAILS: S-5-U ASSEMBLY	
JOB NO.	3.1 SR
ISSUE DATE	XX FEB 2016
SHEET NO.	IR 3.1
SHEET SIZE	24X36



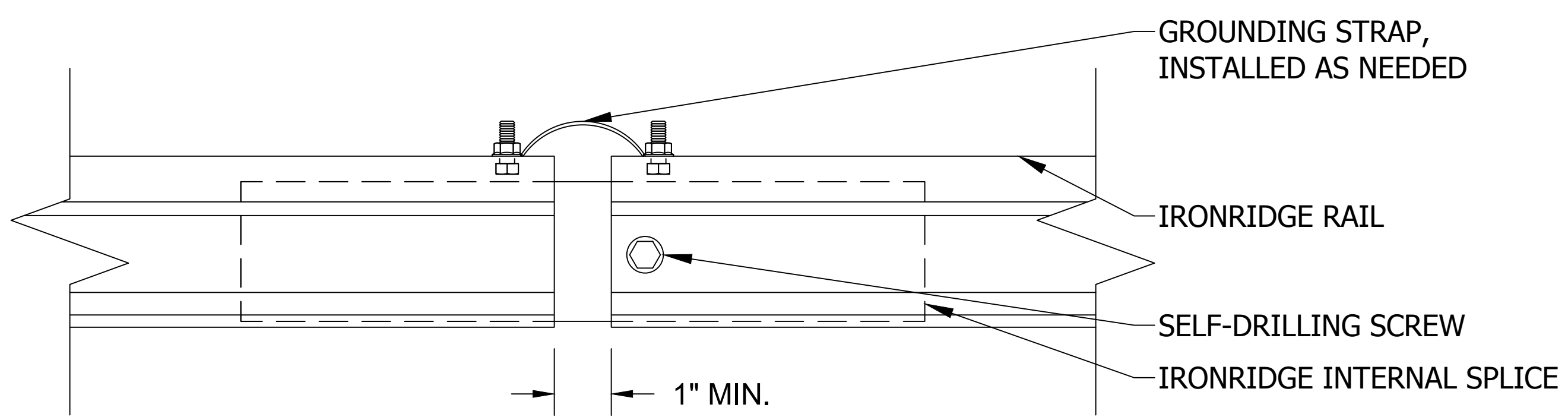
H STANDOFF DETAIL
Scale: 3"=1'-0"



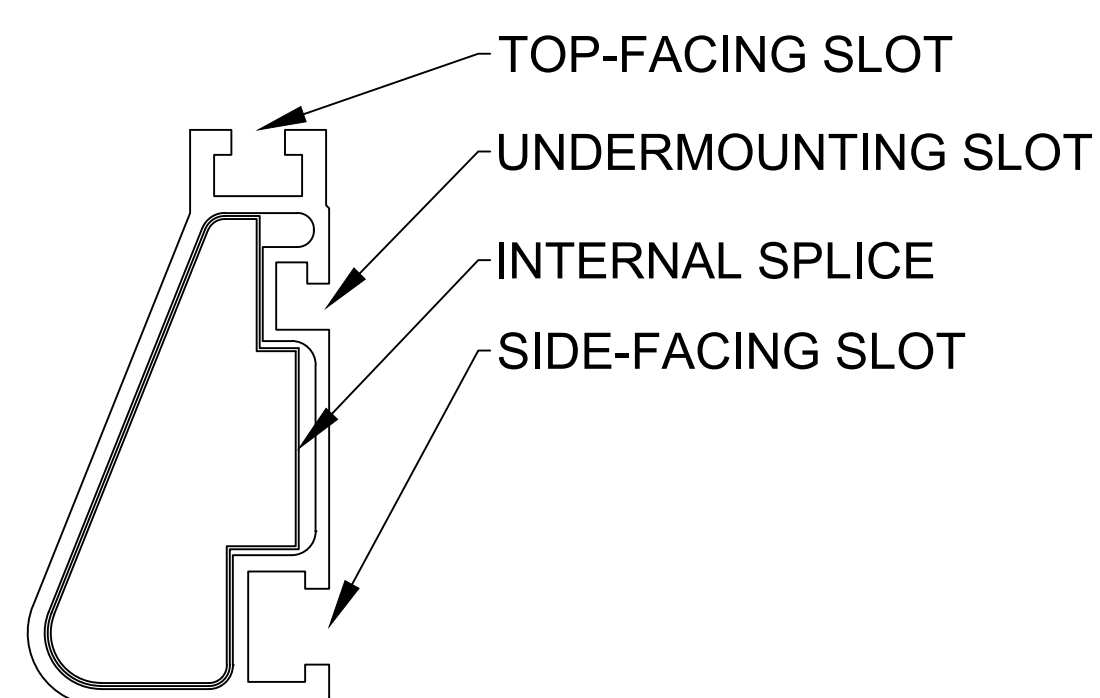
J STANDOFF DETAIL
Scale: 3"=1'-0"



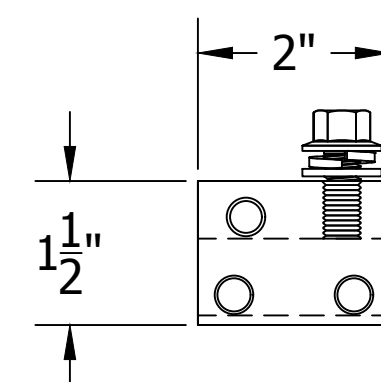
K DETAIL, SPLICE CONNECTION, XR1000
6"=1'-0"



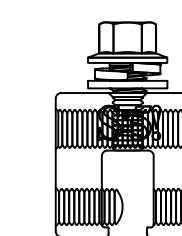
L DETAIL, EXPANSION JOINT CONNECTION, XR1000
6"=1'-0"



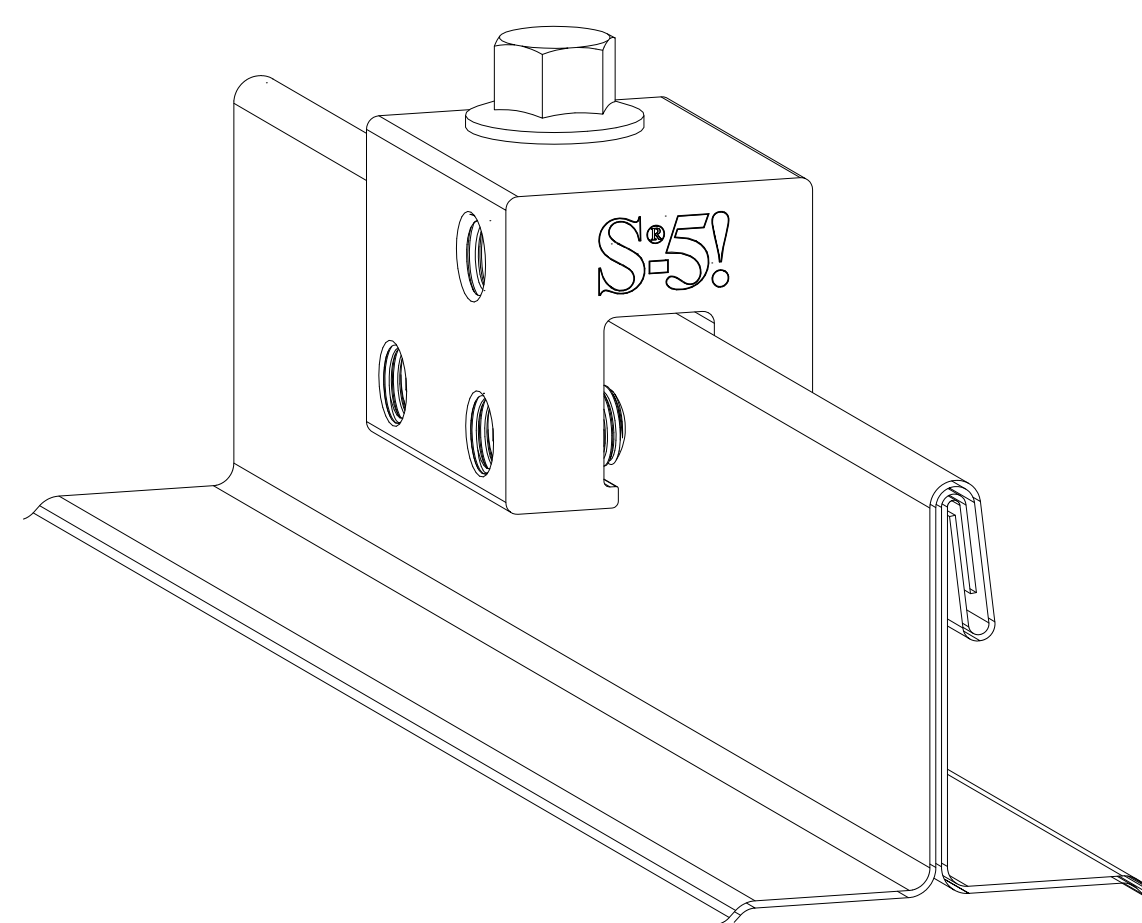
M DETAIL, SPLICE, XR1000
1'-0"=1'-0"



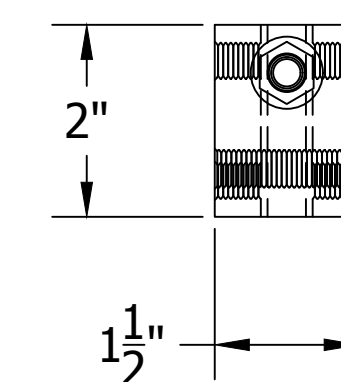
N IRONRIDGE S-5-U ASSEMBLY, FRONT VIEW



P IRONRIDGE S-5-U ASSEMBLY, SIDE VIEW



Q IRONRIDGE S-5-U ASSEMBLY



R IRONRIDGE S-5-U ASSEMBLY, PLAN VIEW

IRONRIDGE	SLOPED ROOF MOUNT SYSTEM
CLIENT NAME	PROJECT NAME
	PROJECT ADDRESS
	SYSTEM KW/DC

WIND SPEED, MPH	
SNOW LOAD, PSF	
EXPOSURE CAT	
RISK CAT	72-CELL, GENERIC
MODULE TYPE	
MODULE W/DC	
MODULE QTY	

APPROVAL STATUS

NOT FOR CONSTRUCTION

REV	DESCRIPTION	DATE

SHEET NAME	
SLOPED ROOF PV SYSTEM DETAILS: S-5-U ASSEMBLY	
JOB NO.	3.1 SR
ISSUE DATE	XX FEB 2016
SHEET NO.	IR 3.2
SHEET SIZE	24X36