

City of Portland, Maine - Building or Use Permit Application

389 Congress Street, 04101 Tel: (207) 874-8703, Fax: (207) 874-8716

Permit No: 08-1356	Issue Date:	CBL: 277 F022001
-----------------------	-------------	---------------------

Location of Construction: 70 GLEN HAVEN WEST RD	Owner Name: SALVATORE LUCRETIA M	Owner Address: 70 GLEN HAVEN WEST	Phone:
Business Name:	Contractor Name: Frost N Flame	Contractor Address: 629 Main St. Gorham	Phone: 2078567000
Lessee/Buyer's Name	Phone:	Permit Type: HVAC	Zone: R3

Past Use: Single Family Home	Proposed Use: Single Family Home - Install a Jotal G1350 stove	Permit Fee: \$60.00	Cost of Work: \$3,297.00	CEO District: 3
---------------------------------	---	------------------------	-----------------------------	--------------------

FIRE DEPT: Approved Denied
 INSPECTION: Use Group: R3 Type 5B
 IRC 2003
 ST ME GAS Regulations
 Signature: Jm 10/27/08

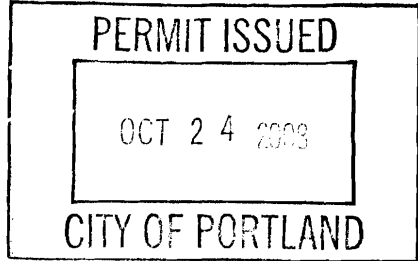
Proposed Project Description:
Install a Jotal G1350 stove

PEDESTRIAN ACTIVITIES DISTRICT (P.A.D.)
 Action: Approved Approved w/Conditions Denied
 Signature: Date:

Permit Taken By: Idobson	Date Applied For: 10/24/2008	Zoning Approval
-----------------------------	---------------------------------	------------------------

- This permit application does not preclude the Applicant(s) from meeting applicable State and Federal Rules.
- Building permits do not include plumbing, septic or electrical work.
- Building permits are void if work is not started within six (6) months of the date of issuance. False information may invalidate a building permit and stop all work..

Special Zone or Reviews	Zoning Appeal	Historic Preservation
<input type="checkbox"/> Shoreland	<input type="checkbox"/> Variance	<input checked="" type="checkbox"/> Not in District or Landmark
<input type="checkbox"/> Wetland	<input type="checkbox"/> Miscellaneous	<input checked="" type="checkbox"/> Does Not Require Review
<input type="checkbox"/> Flood Zone	<input type="checkbox"/> Conditional Use	<input type="checkbox"/> Requires Review
<input type="checkbox"/> Subdivision	<input type="checkbox"/> Interpretation	<input type="checkbox"/> Approved
<input type="checkbox"/> Site Plan	<input type="checkbox"/> Approved	<input type="checkbox"/> Approved w/Conditions
Maj <input type="checkbox"/> Minor <input type="checkbox"/> MM <input type="checkbox"/>	<input type="checkbox"/> Denied	<input type="checkbox"/> Denied
Date: Jm 10/27	Date:	Date: 10/27 Jm



CERTIFICATION

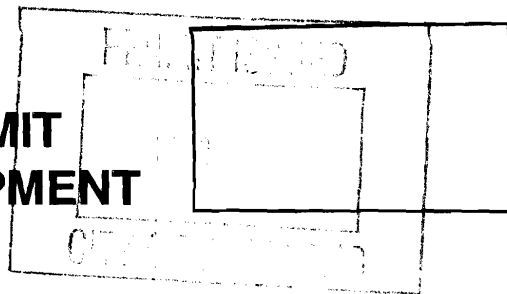
I hereby certify that I am the owner of record of the named property, or that the proposed work is authorized by the owner of record and that I have been authorized by the owner to make this application as his authorized agent and I agree to conform to all applicable laws of this jurisdiction. In addition, if a permit for work described in the application is issued, I certify that the code official's authorized representative shall have the authority to enter all areas covered by such permit at any reasonable hour to enforce the provision of the code(s) applicable to such permit.

SIGNATURE OF APPLICANT	ADDRESS	DATE	PHONE
RESPONSIBLE PERSON IN CHARGE OF WORK, TITLE		DATE	PHONE



FILL IN AND SIGN WITH INK

APPLICATION FOR PERMIT HEATING OR POWER EQUIPMENT



To the INSPECTOR OF BUILDINGS, PORTLAND, ME.

The undersigned hereby applies for a permit to install the following heating, cooking or power equipment in accordance with the Laws of Maine, the Building Code of the City of Portland, and the following specifications:

Location / CBL _____ Use of Building HOME Date 10-24-88
 Name and address of owner of appliance LUCRETIA SALVATORE
70 GLENHAVEN R.D. PORTLAND
 Installer's name and address FROST + FLAME 621 MAIN ST GORHAM
 Telephone 856-1000 - 7000

Location of appliance:

- Basement
- Floor
- Attic
- Roof

Type of Fuel:

- Gas
- Oil
- Solid

Appliance Name: TOTAL 61350

U.L. Approved Yes No

Will appliance be installed in accordance with the manufacture's installation instructions? Yes No

IF NO Explain: _____

The Type of License of Installer:

- Master Plumber # _____
- Solid Fuel # _____
- Oil # _____
- Gas # _____
- Other _____

Type of Chimney:

- Masonry Lined
Factory built _____
- Metal
Factory Built U.L. Listing # _____
- Direct Vent
Type 4" RELING UL# _____

Type of Fuel Tank

- Oil
- Gas

Size of Tank _____

Number of Tanks _____

Distance from Tank to Center of Flame _____ feet.

Cost of Work: \$ 3297

Permit Fee: \$ 60

Approved

Approved with Conditions

Fire: _____

Ele.: _____

Bldg.: _____

See attached letter or requirement

Inspector's Signature

Date Approved

Signature of Installer

City of Portland, Maine - Building or Use Permit

389 Congress Street, 04101 Tel: (207) 874-8703, Fax: (207) 874-8716

Permit No: 08-1356	Date Applied For: 10/24/2008	CBL: 277 F022001
------------------------------	--	----------------------------

Location of Construction: 70 GLEN HAVEN WEST RD	Owner Name: SALVATORE LUCRETIA M	Owner Address: 70 GLEN HAVEN WEST	Phone:
Business Name:	Contractor Name: Frost N Flame	Contractor Address: 629 Main St. Gorham	Phone (207) 856-7000
Lessee/Buyer's Name	Phone:	Permit Type: HVAC	

Proposed Use: Single Family Home - Install a Jotal G1350 stove	Proposed Project Description: Install a Jotal G1350 stove
--	---

Dept: Zoning	Status: Approved	Reviewer: Tom Markley	Approval Date: 10/27/2008
Note:	Ok to Issue: <input checked="" type="checkbox"/>		
Dept: Building	Status: Approved with Conditions	Reviewer: Tom Markley	Approval Date: 10/27/2008
Note:	Ok to Issue: <input checked="" type="checkbox"/>		
1) The installation must comply with the State of Maine Gas Regulations. 2) Application approval based upon information provided by applicant. Any deviation from approved plans requires separate review and approval prior to work.			

621 Main St.
Gorham, ME 04038
856-1000 856-7000

889 Roosevelt Trail
N. Windham, ME 04062
896-3483 893-2876

Fax 856-1164

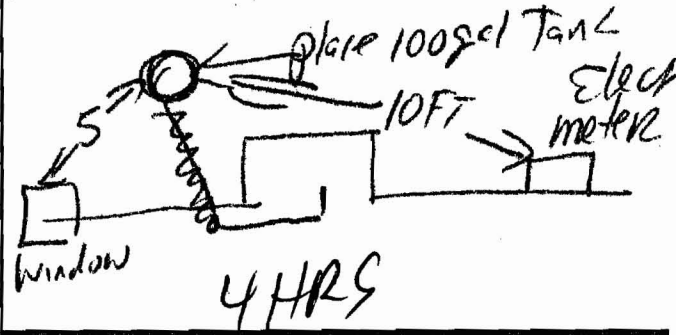
www.frostandflame.com www.sebagolakepools.com

To: Lucretia Salvatore
70 Glenhaven Rd. Town: Portland
State: ME Zip Code: 04102

DATE OF ORDER <u>6-30-08</u>	ORDER TAKEN BY <u>Veronica</u>
CONTRACTOR <u>1-7 Richard</u>	
PHONE #	FAX #
MAILING ADDRESS OR E-MAIL	

Directions: Brighton Ave to Forest city @ light take (L) onto Warick St. At end take (L) onto Glenhaven house will be on (L) Gray home white Adirondack chairs.

①	Total GI 350095	Insert 4077	
①	351040		1,595.05
①	Surround # 351043	use Plinth + Largest	366.00
①	Little Diamond Cust	Iron - M.B. Doors	366.00
	351047		
①	Materials to Vent	into existing	645.00
	Fire place	20ft	
	Mike need permit	Day 11-7	
			2972.00
			2160.05



COST OF ANY PROPANE NOT INCLUDED		
Steve will quote on site		
Run down ash Dump to Basement then up + over to outside		
GAS LINE MATERIALS		245.00
GAS LINE LABOR		225.00
REGULATOR & GAS TANK PROPERTY OF WEBBER ENERGY		
labor on install and venting unit		695.00
COST OF PERMIT IF REQUIRED		
SHIPPING COST		
JOB LABOR		695.00
MATERIALS		2972.00
MATERIALS FOR GAS LINE		245.00
GAS LINE LABOR		225.00
TAX		160.00
TOTAL		2431.30
- SITE INSPECTION		-1000.00
BALANCE DUE		2431.30

20% Restocking Fee for ANY returned or cancelled materials!

I, the customer, have read the back of this contract for terms & conditions of sale, and have signed the back page.

Work ordered by Lucretia Salvatore
Signature _____

I hereby acknowledge the satisfactory completion of the above described work

ANY PERMITS REQUIRED ARE CUSTOMER'S RESPONSIBILITY

50% DEPOSIT TO ORDER: Paid 1000.00 on CC.

BALANCE DUE UPON INSTALLATION: _____

Thank You

Tax 4297.85
Total 3297.6

ESTIMATE GOOD FOR _____ DAYS

Table of Contents

Installation & Service Tools	2
Specifications	4
General Information	5
Safety Information	6
Installation	
Fireplace Requirements	7
Hearth Protection	8
Clearances	8
Masonry Fireplaces	10
Prefabricated Fireplaces	11
Vent Requirements	13
Fireplace Assembly	
Gas Connection	14
Gas Pressure	15
Fuel Conversion	16
Wall Thermostat	18
Remote Control	18
Blower Power Requirement	18
Optional Wall Panel Kits	19
Log Set Installation	20
System Check	21
Surround Assembly	22
Operation	
Burner Controls	23
Blower Controls	24
Maintenance	
Annual Cleaning	24
Glass Replacement	25
Illustrated Part Breakdown	26
Replacement Parts List	27
Appendix A: Remote Installation	28
Service Log	30
Lighting Instructions	31

Unpacking the Fireplace

1. The Log Set is packaged inside the firebox. Remove the Glass Panel Frame to unpack the firebox:
 - Locate the Glass Frame Latch Release tool packed in the bag with this manual.
 - See the cut-away view in fig. 1 below to locate the right and left spring latches on the underside of the firebox floor. Release each latch by engaging the tangs of the tool with the latch throat, pulling it forward and down.
 - Pull the Glass Frame away from the Firebox and lift to disengage it from the retaining lip at the top of the firebox. Set the glass out of the way.
 - Remove the Log Set. Do not unpack the log parts until you are ready to install them.
2. Follow the instructions in this manual for insert installation and optional equipment as appropriate.

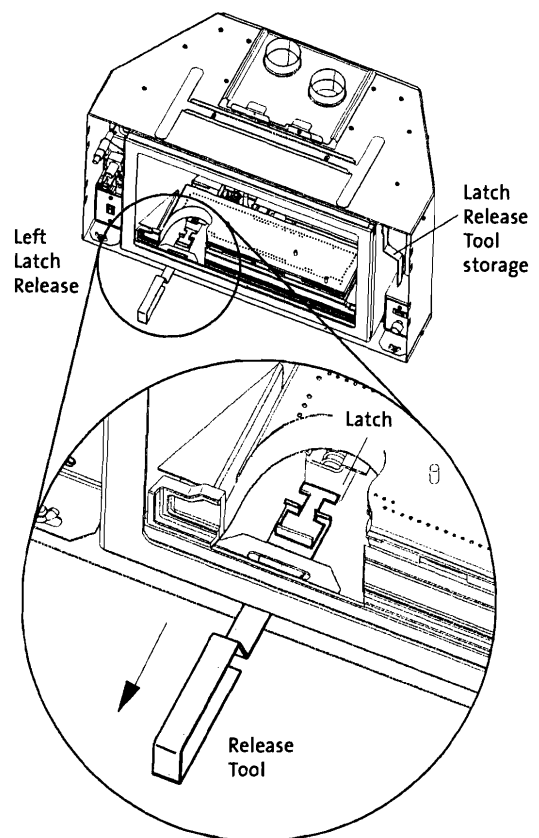


Figure 1. Pull each Spring Latch out and down to disengage it from the Glass Frame.

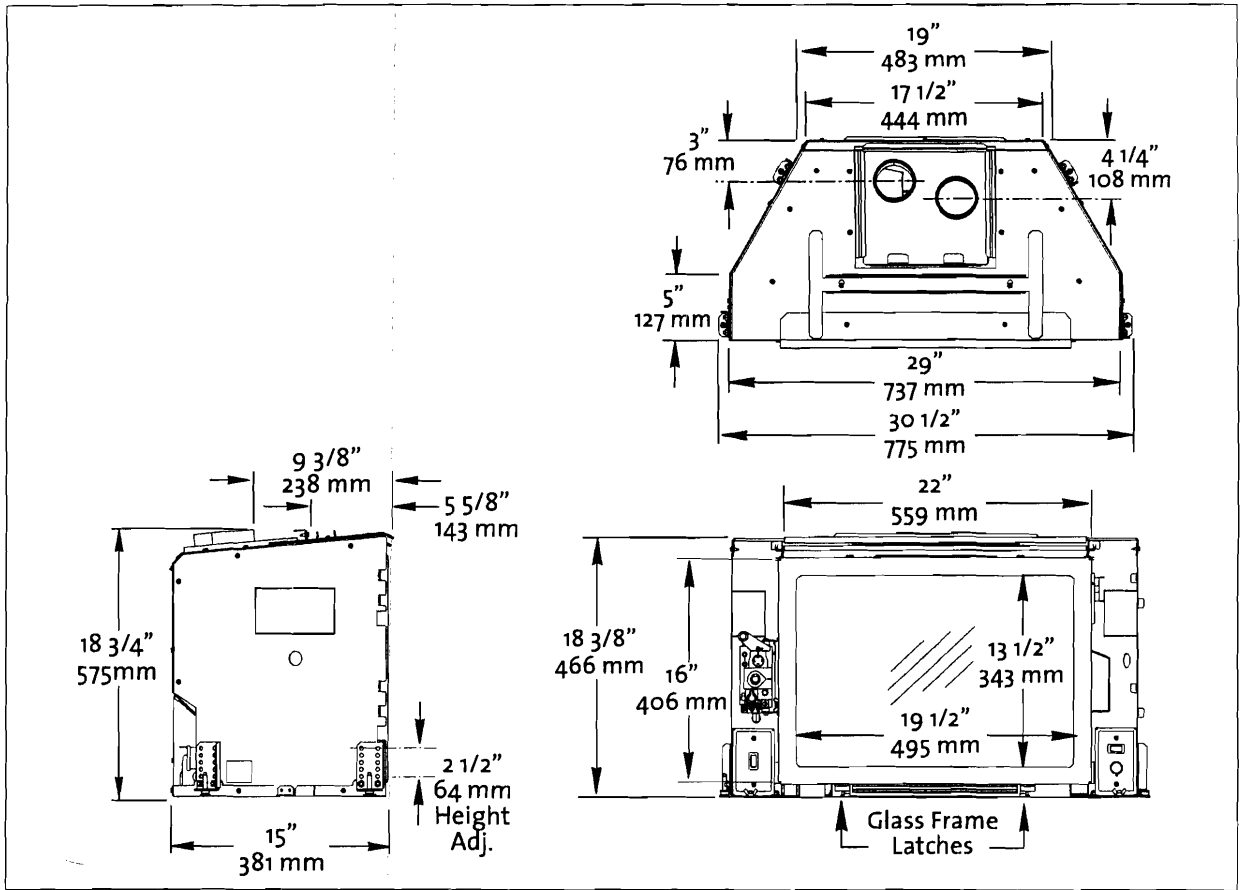
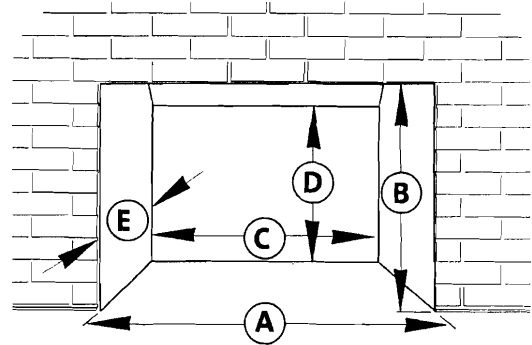


Figure 2. Universal GI 350 DV dimensions.

Minimum Fireplace Requirements

The Universal GI 350 DV gas insert has been specifically designed to be installed into a solid fuel burning factory built fireplace or a code approved solid fuel burning masonry fireplace with a tile flue liner. An acceptable fireplace cavity must have the minimum dimensions specified in fig. 3.

Do not modify or alter the construction of the gas insert or any of its components to enable it to fit into a fireplace. Any modification of the insert will void the warranty, certifications and approvals of the unit and could be dangerous.



- A: Opening Width = 31" (787 mm)
without levelling brackets = 30" (762 mm)
- B: Opening Height = 20" (520 mm)
with Scan 65i 1" riser = 21" (533 mm)
with Scan 65i 2" riser = 22" (559 mm)
- C: Back Wall Width = 19" (483 mm)
without levelling brackets = 18" (457 mm)
- D: Back Wall Height = 19" (483 mm)
w/ Scan 65i 1" riser = 20" (508 mm)
w/ Scan 65i 2" riser = 21" (533 mm)
- E: Depth = 16" (406 mm)

Figure 3. Minimum fireplace cavity dimensions.

Clearance to Combustible Materials

A combustible material is anything that can burn (i.e. sheet rock, wallpaper, wood, fabrics etc.). These surfaces are not limited to those that are visible and also include materials that may be behind non-combustibles.

If you are unsure of the combustible nature of a material, consult your local fire officials. "Fire Resistant" materials are considered combustible: they are difficult to ignite, but will burn. "Fire-rated" sheet rock is also considered combustible.

The following clearances and hearth specifications are the minimum requirements for installation into a masonry or factory built fireplace. Mantel and wall clearances will vary, depending upon the fireplace facing and riser height, if needed. Use the tables and illustrations in figs. 4 and 5 to determine the minimum clearances for your installation.

Hearth Requirements

Hearth protection in front of the GI 350 DV must be composed of any noncombustible material. It must extend 16" forward of the firebox glass panel and extend 18" to either side of the fireplace centerline. See fig. 4.

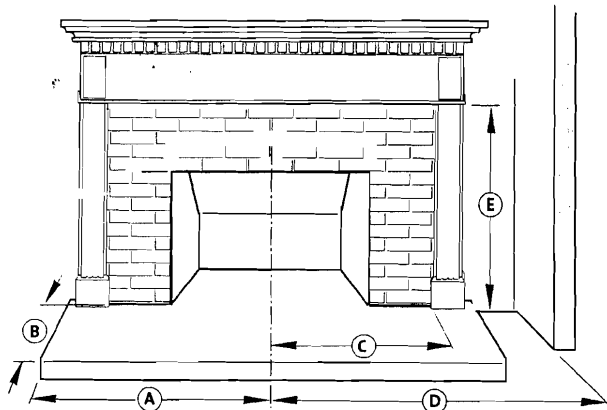


Figure 4. Hearth, Trim and Wall clearances.

Fireplace Facing Options

Jøtul Cast Iron Surround - 34 1/2" x 24 1/2"
 w/ Plinth - 34 1/2" x 26 1/2"
 w/Wide Surround Panel - 38" x 26"
 w Plinth Extensions - 38 1/2" x 28"

Steel Door Kits - includes Surround Panels
 38" Wide x 28" High

SCAN 65j Surround Assembly
 - with 1" Riser: 40" Wide x 27" High
 - with 2" Riser: 40" Wide x 28" High

Surround Type	A	B	C	D	E
Jøtul Cast Iron	18"	16"	18 1/4"	41 1/4"	35"
Jøtul Cast Iron w/ Plinth	18"	16"	18 1/4" 20" w/ Wide Surround	41 1/4"	37"
Steel Double Doors	18"	16"	20"	43"	38"
Scan 65j w/ Mantel Heat Shield	18"	16"	21"	44"	37": 1" Riser 38": 2" Riser
Scan 65j without Mantel Heat Shield	18"	16"	Use noncombustible materials only.	44"	Use noncombustible materials only.

Table 1. Hearth, Trim and Wall clearances.

- A: Hearth Protection Width - 18" from centerline.
- B: Hearth Protection Depth - 16"
- C: Side Trim Clearance, 1.5" thick (25 mm) Shown measured from fireplace centerline = 1" from Surround.
- D: Side Room Wall Clearance shown measured from the fireplace centerline = 24" from Surround.
- E: Top Trim Clearance = Same as 3.5" deep mantel - See fig. 5.

Vent Guidelines

Mantel Clearance Requirements

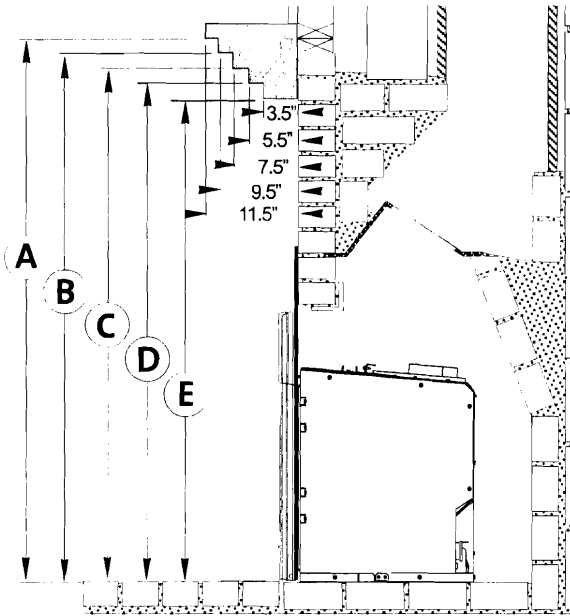


Figure 5. Minimum Mantel Clearances shown measured from the hearth surface to the mantel surface.

Surround Type	A	B	C	D	E
Jøtul Cast Iron	41"	39 1/2"	38"	36 1/2"	35"
Jøtul Cast Iron w/ Plinth	43"	41 1/2"	40"	38 1/2"	37"
Steel Double Doors	44"	42 1/2"	41"	39 1/2"	38"
Scan 65i w/ Mantel Heat Shield	With 1" Riser				
	43"	41 1/2"	40"	38 1/2"	37"
Scan 65i without Mantel Heat Shield	With 2" Riser				
	44"	42 1/2"	41"	39 1/2"	38"
Scan 65i without Mantel Heat Shield	Use noncombustible materials only.				

Table 2. GI 350 DV Mantel clearances.

- All vent components must be installed in accordance with the listing terms and manufacturer's instructions.
- Vent Height:** Measured from the top of the insert to the top of the termination cap.
Minimum: no less than 10'
Maximum: no greater than 35'.
The minimum vent height above the roof or adjacent walls is specified by building codes. As a general guide, follow the Gas Vent Rule on page 12.
- HORIZONTAL RUNS ARE NOT PERMITTED ANYWHERE IN THE VENTING SYSTEM.**
- Venting liners used on this appliance may not be less than 3" in diameter or greater than 3" in diameter.
- Any unused flue or masonry enclosure can be used as a passageway for venting provided the flue is relined using 3" Listed flexible gas liner.
- The remaining space around the liner in a masonry or zero-clearance flue CANNOT be used to vent any other appliance.
- Flexible liner components may not be exposed in any living space.
- Installation of any components not manufactured or approved by Jøtul or failure to meet all clearance requirements will void all warranties and could result in property damage, bodily injury, or serious fire.
- Never modify any venting component, or use any damaged venting product.
- THE GAS APPLIANCE AND VENT SYSTEM MUST BE VENTED DIRECTLY TO THE OUTSIDE OF THE BUILDING, AND NEVER ATTACHED TO A CHIMNEY SERVING ANOTHER SOLID FUEL OR GAS-BURNING APPLIANCE.**
- Use vent component supplied by one of the vent manufacturers listed on page 5 of this manual. **Do not mix components from different manufacturers in a single installation.**

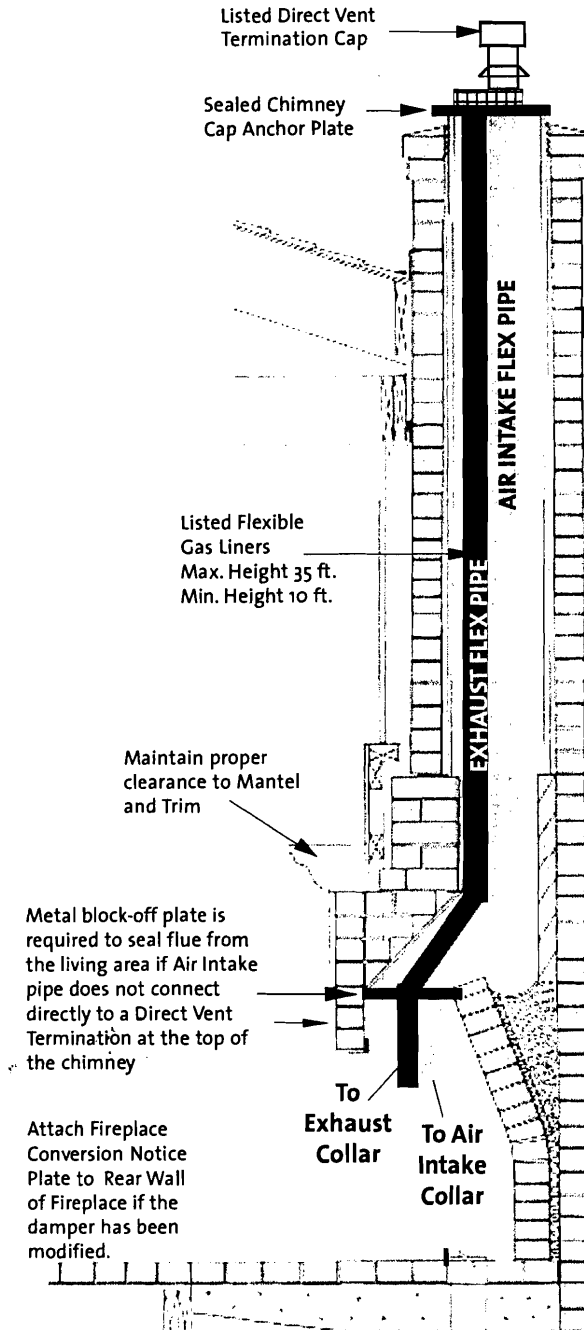


Figure 6. Masonry Fireplace Venting Configuration.

WARNING:

FAILURE TO POSITION THE PARTS IN ACCORDANCE WITH THIS DIAGRAM OR FAILURE TO USE ONLY PARTS SPECIFICALLY APPROVED WITH THIS APPLIANCE MAY RESULT IN PROPERTY DAMAGE OR PERSONAL INJURY.

Prefabricated Fireplaces

A prefabricated fireplace chimney must be clean and in good working order. It must be constructed of noncombustible materials. Chimney clean-outs must fit properly.

A factory-built prefabricated fireplace will require a few modifications before installation of the fireplace insert.

Modification Steps:

1. Remove any fuel grate or other components attached to the firebox. On most models the fire grate is attached to the unit with brackets which should be cut or pried off.
2. Remove the damper assembly. This includes the damper blade, handle and any linkage. Two 3" liners must be able to pass through the damper area.
3. Remove any fire screen or door assembly. This is usually done by removing a support rod on the inside of the fireplace frame. Smoke shelves, shields, and baffles can be removed if attached with mechanical fasteners.
4. If there is a metal ash lip, it too should be removed to allow the unit to sit flat in the fireplace. Be sure to reinstall any screws removed.

IMPORTANT:

BEFORE STARTING THIS INSTALLATION, MAKE SURE THAT A GAS LINE CAN BE INSTALLED OR IS INSTALLED TO THE FIREBOX. THIS SHOULD ONLY BE DONE BY A QUALIFIED OR LICENSED PLUMBER OR GAS FITTER.

The GI 350 DV gas insert is specifically designed to be vented using a co-linear system.

Installation includes a pair of 3" flex ducts that run from the insert completely through the existing chimney to the termination cap. See figure 7, page 12.

One liner is attached to the exhaust port on the back of the unit and will carry the exhaust gases to the outside of the house. This exhaust liner must be directly connected to the unit and run the full length of the chimney.

IMPORTANT NOTICE:

THE USE OF AN EXISTING CHIMNEY AS AN AIR INTAKE IS NOT COVERED UNDER THE ANSI Z21.88-1999-CSA 2.33-M99 TEST METHODS AND RESULTING ITS/WHI PRODUCT CERTIFICATION. THE CODE AUTHORITY HAVING JURISDICTION MUST BE CONSULTED PRIOR TO PROCEEDING WITH THIS INSTALLATION METHOD.

The other 3" liner will be attached to the intake port on the back of the unit and will provide fresh air for combustion to the unit. This liner must extend a **minimum of 6 ft.** off the back of the unit and extend through the damper area of the fireplace and into the first section of pipe. This liner can also extend the full length of the chimney and connect to the termination cap. See figure 7.

IMPORTANT:

If the intake flex does not extend the full length of the chimney and connect to the unit and the termination cap - THEN A METAL BLOCK OFF PLATE MUST BE CONSTRUCTED AND INSTALLED ABOVE THE UNIT PRIOR TO THE END OF THE INTAKE FLEX (normally at the damper area).

The minimum vent height above the roof or adjacent walls is specified by major building codes. A general guide to follow is the Gas Vent Rule below.

GAS VENT RULE

ROOF SLOPE	Minimum Height From Roof	
Flat to 6/12	1'0"	0.3M
Over 7/12 to 9/12	2'0"	0.6M
Over 10/12 to 12/12	4'0"	1.2M
Over 13/12 to 16/12	6'0"	1.8M
Over 17/12 to 21/12	8'0"	2.4M

Cutting of any sheet metal parts on a solid-fuel fireplace is prohibited.

If the factory-built fireplace has no gas access hole(s) provided, an access hole 1.5" diameter or less may be drilled through the lower sides or bottom of the firebox in a proper workmanship-like manner. This access hole must be plugged with noncombustible insulation after the gas supply line has been installed.

CANADA REQUIREMENT: Both the Intake and the Exhaust liners must extend the full length of the chimney and be securely connected to both the unit and the termination kit.

If the fireplace has been modified to accommodate installation, use anchors or masonry nails to attach the metal Fireplace Conversion Notice Plate supplied with this unit to the back wall of the masonry fireplace firebox where it will be readily seen should the insert be removed.

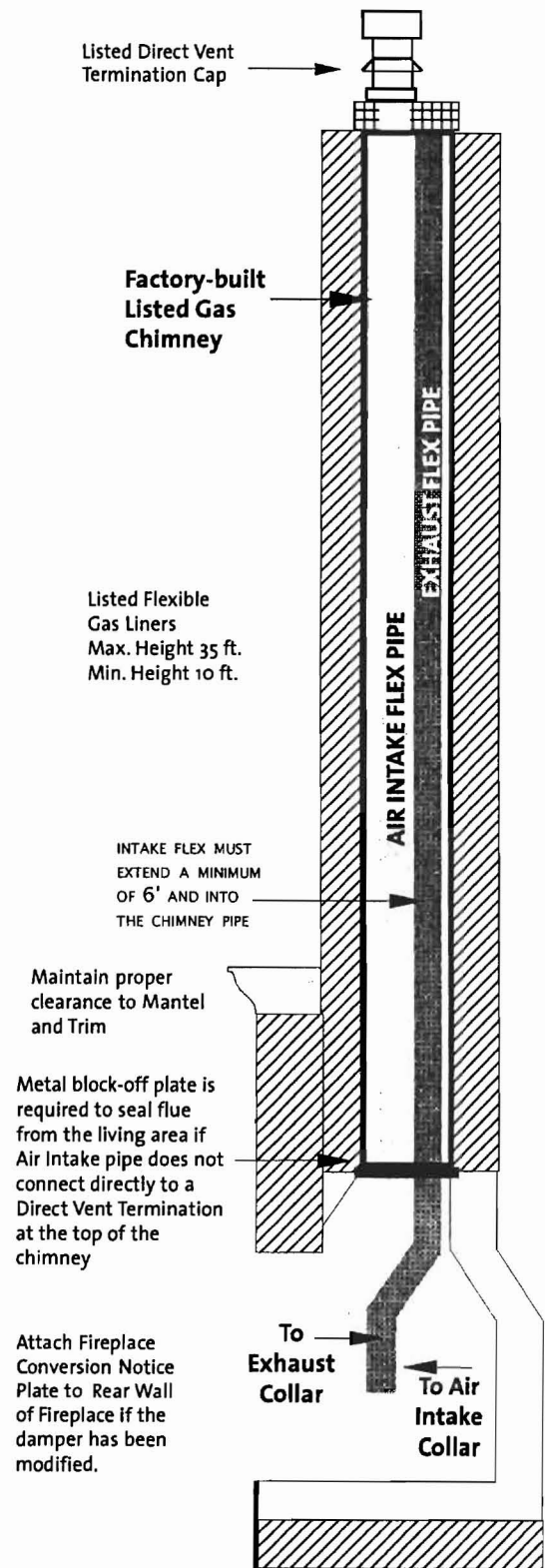


Figure 7. Factory-built fireplace vent configuration.

Prefabricated Fireplace Vent Installation

1. Measure height of the chimney to fireplace opening. Determine if both the intake and exhaust will be extended to the top of the chimney.
2. Cut the appropriate lengths of flex for both the intake and exhaust.
3. **If the Intake flex will be attached to the chimney termination kit:** Attach the appropriate ends of the flex to the chimney termination kit. Label the end of the exhaust pipe.
4. Drop the liners down the chimney from the top and rest the termination kit atop the chimney.
5. Seal the chimney termination kit to the top of the chimney pipe with high temperature sealant.
6. Secure the appropriate DIRECT VENT CAP to the termination kit.
7. Inside the fireplace, fully extend the flex and cut off the excess flex so that the liners hang approximately 15" from the floor of the fireplace.
8. **If the Intake flex is NOT attached to the chimney termination kit:** See NOTICE on page 12.
 - A. It is necessary to install a minimum 6 foot length of flex pipe into the flue for the intake air.
 - B. A METAL damper block off plate must be constructed and installed in the damper area to completely seal off the flue from the room. Cut holes for both the intake and exhaust liners in the block off plate.
 - C. A direct vent cap is still required to allow fresh air into the chimney flue and ultimately into the intake flex and insert.
 - D. Attach the Fireplace Conversion Notice to the back of the fireplace if appropriate.
9. Surround panels must not block or seal any ventilation openings on the prefabricated fireplace.

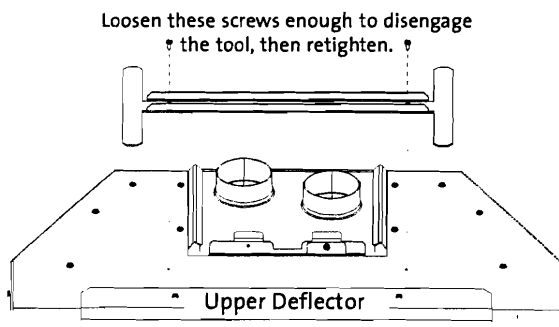


Figure 8. Remove the Flue Collar tool. Also, remove the Upper Deflector if a Cast Iron surround is to be installed.

Vent Connection

The Vent Collar Plate, located on top of the cabinet, is removable to ease connection of the vent liners in those cases where access within the fireplace is restricted. Whether you are venting through a masonry chimney or a prefabricated chimney, the flex liner is connected to the insert in the same way. Use the following procedure.

Wear Safety Gloves!

1. Disengage the Vent Collar tool from the top of the fireplace cabinet by loosening the two retainer screws, then sliding the tool over and up as in fig. 8.
2. Remove the retainer screw that attaches the Collar Plate to the cabinet top and slide the plate back off of the cabinet. Secure the flex liners to the appropriate collars on the Vent Collar Plate using sheet metal screws or hose clamps, as shown in fig. 9. Confirm that the liners are not cross-vented.
3. Position the insert, without surround panels, halfway inside the fireplace and engage the Vent Collar Plate within the rails on the cabinet top enough to get it started. Engage one end of the tool over the tabs on the flue collar plate as in fig. 9. Use a striking motion to hammer the collar plate fully forward and secure it to the cabinet flange using the sheet metal screw previously removed.
4. Store the Vent Adaptor tool beside the insert cabinet inside the fireplace for future use when servicing the unit.

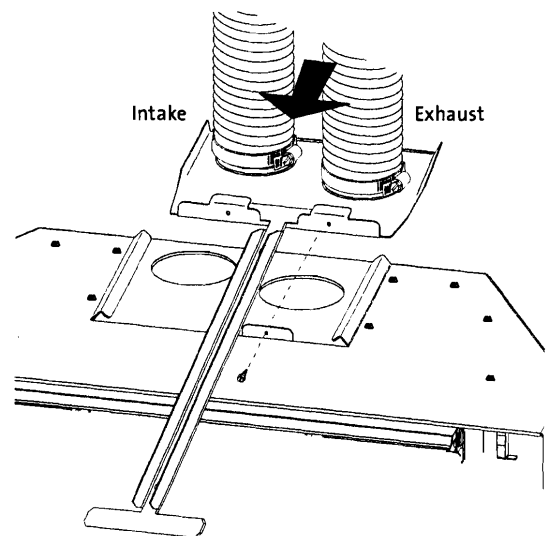


Figure 9. Use the tool to pull the collar plate into place.