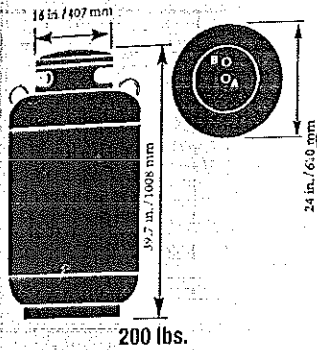
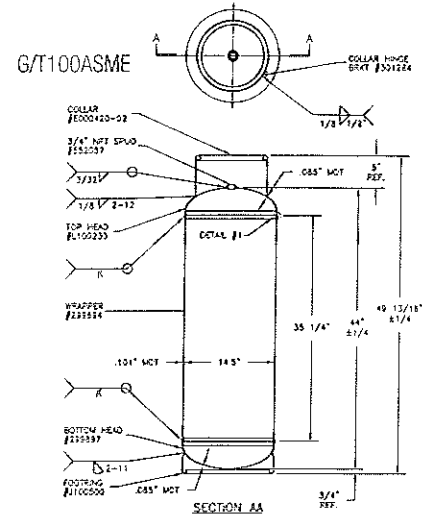
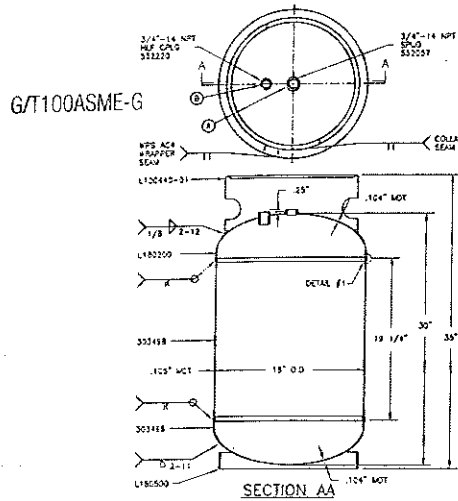


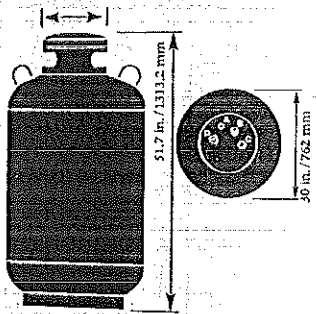


Worthington
Cylinders

DOT/ASME LPG Cylinders (continued)



200 lbs.



420 lbs.

ASME Cylinders

MFR#	VALVE	SIZE	COLOR	WEBB#
G/T200ASME	Multivalve	200 lbs.	White	190984
G/T200ASMEG	Multivalve	200 lbs.	Gray	193312
G/T420ASME	Multivalve POL	420 lbs.	White	185244
G/T420ASMEG	Multivalve POL	420 lbs.	Gray	193311

SIZE	100 LBS.	200 LBS.	420 LBS.
LPG Capacity	23.6 gal. 89.3 liters	47.2 gal. 178.5 liters	99.1 gal. 374.9 liters
Water Capacity	239.0 lb. 108.4 kg.	474 lbs. 215.0 kg.	1000 lb. 453.6 kg.
Tare Weight	71.0 lb. 32.2 kg.	158.0 lb. 71.7 kg.	272.0 lbs. 123.4 kg.
Collar Height	5.1 in. 130.2 mm	6.6 in. 167.6 mm	6.6 in. 167.6 mm
Footring Dia. o/s	14.5 in. 368.3 mm	19.0 in. 482.6 mm	22.0 in. 558.8 mm

How to Order a Truckload

11 bundles make up a truckload. Special colors, or plastic mesh protective coatings are available upon request. There is a quantity of 9-420's in a bundle, and 16-200's in a bundle. You must specify DOT or ASME style tanks at time of order. Minimum order of 3 bundles is considered a partial truckload. No more than 3 different stops per truckload within a 150 mile radius.

Worsham Tank

Description and Size of 420# LRG. Cylinder Openings

- A: Safety Relief Valve (1") NPT
- B: Fill Valve (1/4") NPT
- C: NPT Float Gauge (1") NPT
- D: Vapor Service Valve (1/4") NPT



Open Collar

100# Cylinders

MFR #	DESCRIPTION	WEBB#
PIGME350A	Multivalve	186562

TO ORDER, CALL: 800.243.9360 • CT: 860.722.2433 • FAX: 800.274.2004

