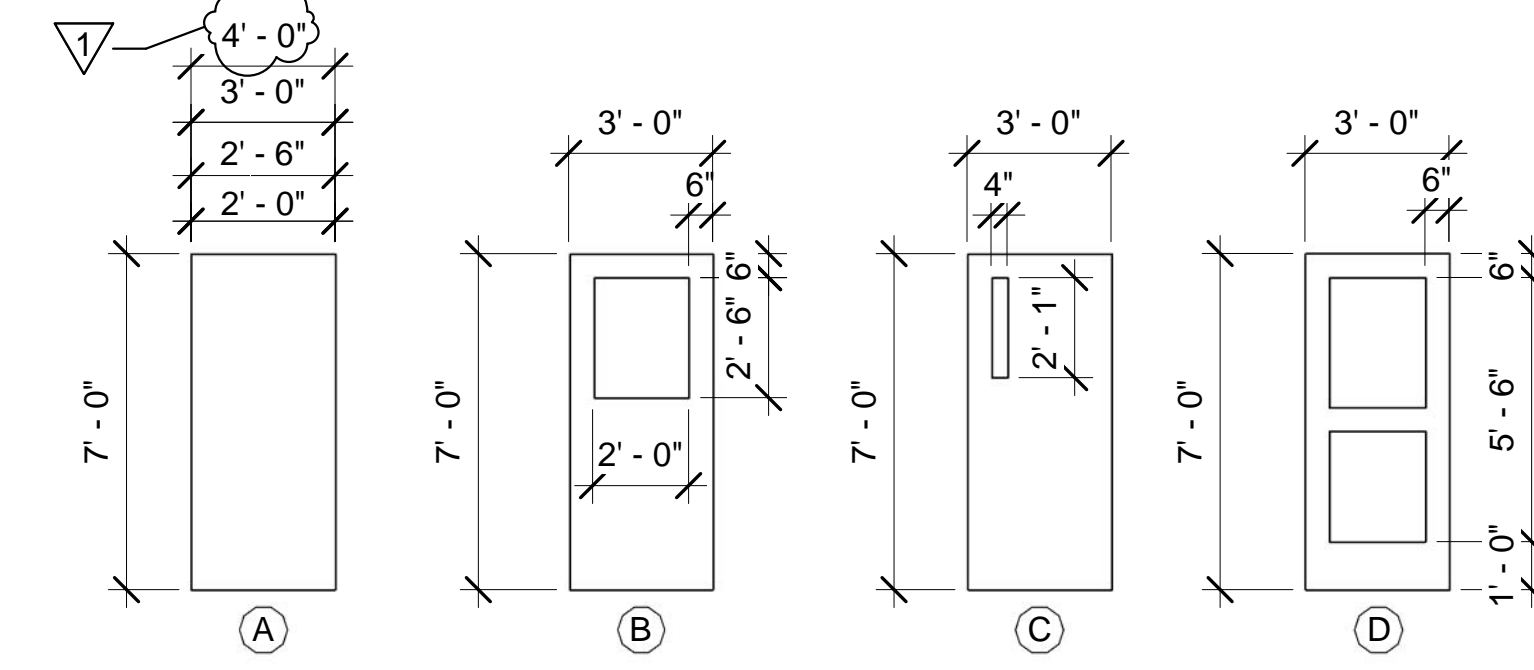


DOOR SCHEDULE-WING D														
NO.	DOOR						FRAME			DETAILS				NOTES
	WIDTH	HEIGHT	THICKNESS	TYPE	MAT	FINISH	HARDWARE	TYPE	MAT	FINISH	HEAD	JAMB	SILL	
D01	3'-0"	7'-0"	1 3/4"	B	WD	NAT	2	4	HM	PNT	5/AE603	11/AE603		
D01A	3'-0"	7'-0"	1 3/4"	B	WD	NAT	3	4	HM	PNT	5/AE603	11/AE603		
D02	3'-0"	7'-0"	1 3/4"	B	WD	NAT	3	4	HM	PNT	5/AE603	11/AE603		
D03	3'-0"	7'-0"	1 3/4"	B	WD	NAT	2	4	HM	PNT	5/AE603	11/AE603		
D04	3'-0"	7'-0"	1 3/4"	B	WD	NAT	2	4	HM	PNT	5/AE603	11/AE603		
D05	3'-0"	7'-0"	1 3/4"	B	WD	NAT	3	6	HM	PNT	5/AE603	11/AE603		
D06	3'-0"	7'-0"	1 3/4"	B	WD	NAT	3	6	HM	PNT	5/AE603	11/AE603		
D06A	3'-0"	7'-0"	1 3/4"	B	WD	NAT	3	6	HM	PNT	5/AE603	11/AE603		
D07	3'-0"	7'-0"	1 3/4"	B	WD	NAT	2	4	HM	PNT	5/AE603	11/AE603		
D08	3'-0"	7'-0"	1 3/4"	B	WD	NAT	1	4	HM	PNT	5/AE603	11/AE603		
D09	3'-0"	7'-0"	1 3/4"	A	WD	NAT	5	4	HM	PNT	5/AE603	11/AE603		
D10	3'-0"	7'-0"	1 3/4"	A	WD	NAT	5	4	HM	PNT	5/AE603	11/AE603		
D11	6'-0"	7'-0"	1 3/4"	C	ALUM	HPC	11	3	ALU	M	HPC	6/AE603	12/AE603	60 MIN
D13	6'-0"	7'-0"	1 3/4"	A	WD	NAT	16	3	HM	PNT	6/AE603	12/AE603		
D13A	4'-0"	7'-0"	1 3/4"	A	HM	PNT	EH-6	2	HM	PNT	2/AE621	9/AE603	8/AE503	
D14	3'-0"	7'-0"	1 3/4"	B	WD	NAT	2	4	HM	PNT	4/AE603	10/AE603		
D15	3'-0"	7'-0"	1 3/4"	B	WD	NAT	3	6	HM	PNT	5/AE603	11/AE603		
D16	3'-0"	7'-0"	1 3/4"	B	WD	NAT	3	6	HM	PNT	4/AE603	10/AE603		
D17	3'-0"	7'-0"	1 3/4"	B	WD	NAT	2	4	HM	PNT	4/AE603	10/AE603		
D18	3'-0"	7'-0"	1 3/4"	B	WD	NAT	2	4	HM	PNT	5/AE603	11/AE603		
D18A	3'-0"	7'-0"	1 3/4"	B	WD	NAT	3	6	HM	PNT	4/AE603	10/AE603		
D19	3'-0"	7'-0"	1 3/4"	A	WD	NAT	6	4	HM	PNT	6/AE603	12/AE603		
D19A	3'-0"	7'-0"	1 3/4"	A	WD	NAT	5	4	HM	PNT	5/AE603	11/AE603		
D20	3'-0"	7'-0"	1 3/4"	A	WD	NAT	6	4	HM	PNT	6/AE603	12/AE603		
D20A	3'-0"	7'-0"	1 3/4"	A	WD	NAT	5	4	HM	PNT	5/AE603	11/AE603		
D21	3'-0"	7'-0"	1 3/4"	B	WD	NAT	7	4	HM	PNT	5/AE603	11/AE603		
D22	3'-0"	7'-0"	1 3/4"	B	WD	NAT	2	4	HM	PNT	5/AE603	11/AE603		
D23	3'-0"	7'-0"	1 3/4"	B	WD	NAT	3	6	HM	PNT	4/AE603	10/AE603		
D23A	3'-0"	7'-0"	1 3/4"	B	WD	NAT	3	6	HM	PNT	4/AE603	10/AE603		
D24	3'-0"	7'-0"	1 3/4"	B	WD	NAT	2	4	HM	PNT	5/AE603	11/AE603		
D25	3'-0"	7'-0"	1 3/4"	B	WD	NAT	2	4	HM	PNT	5/AE603	11/AE603		
D25A	3'-0"	7'-0"	1 3/4"	B	WD	NAT	3	4	HM	PNT	5/AE603	11/AE603		
D26	3'-0"	7'-0"	1 3/4"	B	WD	NAT	3	6	HM	PNT	4/AE603	10/AE603		
D26A	3'-0"	7'-0"	1 3/4"	B	WD	NAT	3	6	HM	PNT	4/AE603	10/AE603		
D27	3'-0"	7'-0"	1 3/4"	B	WD	NAT	2	4	HM	PNT	5/AE603	11/AE603		
D29	3'-0"	7'-0"	1 3/4"	B	WD	NAT	2	4	HM	PNT	5/AE603	11/AE603		
D30	3'-0"	7'-0"	1 3/4"	B	WD	NAT	2	4	HM	PNT	5/AE603	11/AE603		
D31	3'-0"	7'-0"	1 3/4"	B	WD	NAT	3	4	HM	PNT	4/AE603	10/AE603		
D31A	3'-0"	7'-0"	1 3/4"	B	WD	NAT	3	4	HM	PNT	4/AE603	10/AE603		
D32	3'-0"	7'-0"	1 3/4"	B	WD	NAT	1	6	HM	PNT	5/AE603	11/AE603		
D33	3'-0"	7'-0"	1 3/4"	B	WD	NAT	2	4	HM	PNT	5/AE603	11/AE603		
D34	3'-0"	7'-0"	1 3/4"	A	WD	NAT	7	4	HM	PNT	5/AE603	11/AE603		
D35	3'-0"	7'-0"	1 3/4"	A	WD	NAT	5	4	HM	PNT	5/AE603	11/AE603		
D36	3'-0"	7'-0"	1 3/4"	A	WD	NAT	5	4	HM	PNT	5/AE603	11/AE603		
D37	3'-0"	7'-0"	1 3/4"	A	WD	NAT	7	4	HM	PNT	5/AE603	11/AE603		
D38	3'-0"	7'-0"	1 3/4"	A	WD	NAT	7	4	HM	PNT	5/AE603	11/AE603		
D39	3'-0"	7'-0"	1 3/4"	B	WD	NAT	2	4	HM	PNT	5/AE603	11/AE603		
D40	3'-0"	7'-0"	1 3/4"	A	WD	NAT	7	4	HM	PNT	5/AE603	11/AE603	45 MIN	
D41	3'-0"	7'-0"	1 3/4"	A	WD	NAT	7	1	HM	PNT	2/AE603	8/AE603	14/AE603	45 MIN

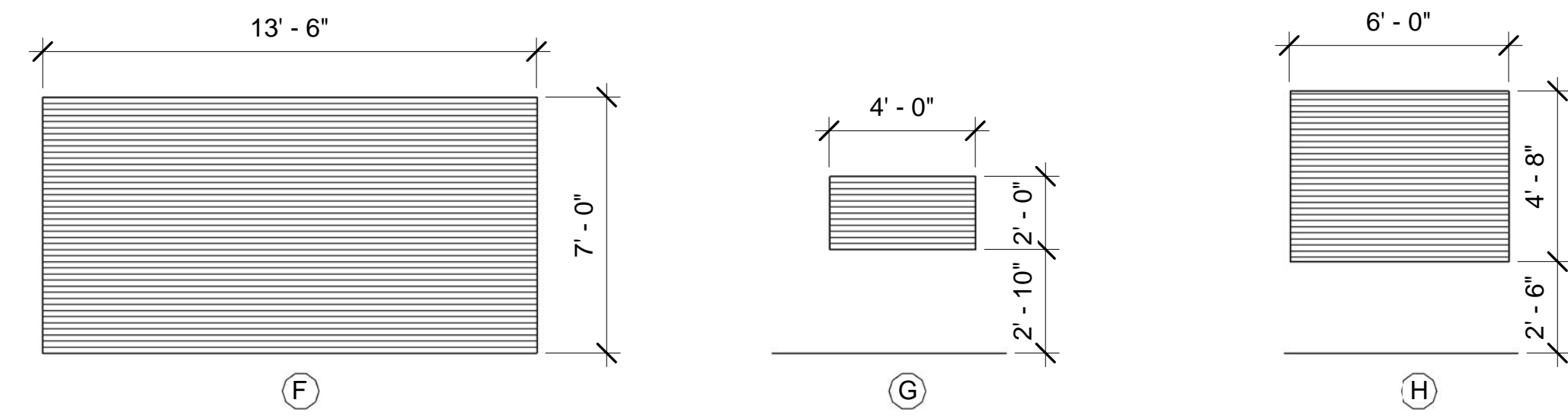
DOOR SCHEDULE-STAIRS														
NO.	DOOR						FRAME			DETAILS				NOTES
	WIDTH	HEIGHT	THICKNESS	TYPE	MAT	FINISH	HARDWARE	TYPE	MAT	FINISH	HEAD	JAMB	SILL	
S02A	6'-0"	7'-0"	1 3/4"	C	WD	NAT	17	2	HM	PNT	5/AE603	11/AE603		60 MIN
S03A	6'-0"	7'-0"	1 3/4"	D	WD	NAT	17	2	HM	PNT	5/AE603	11/AE603		60 MIN

DOOR SCHEDULE NOTES:

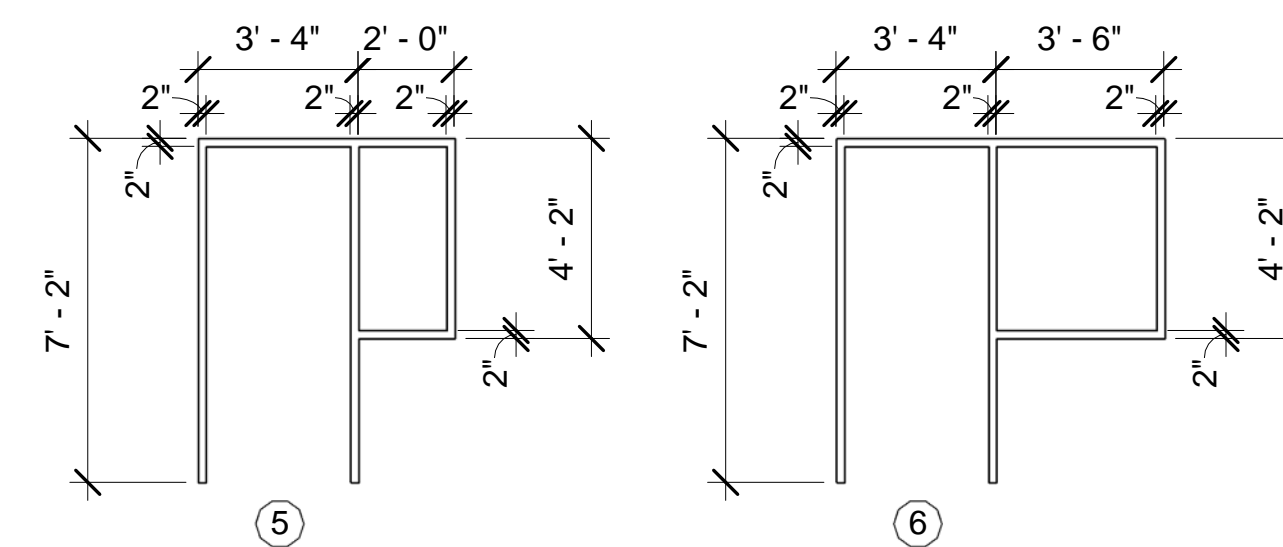
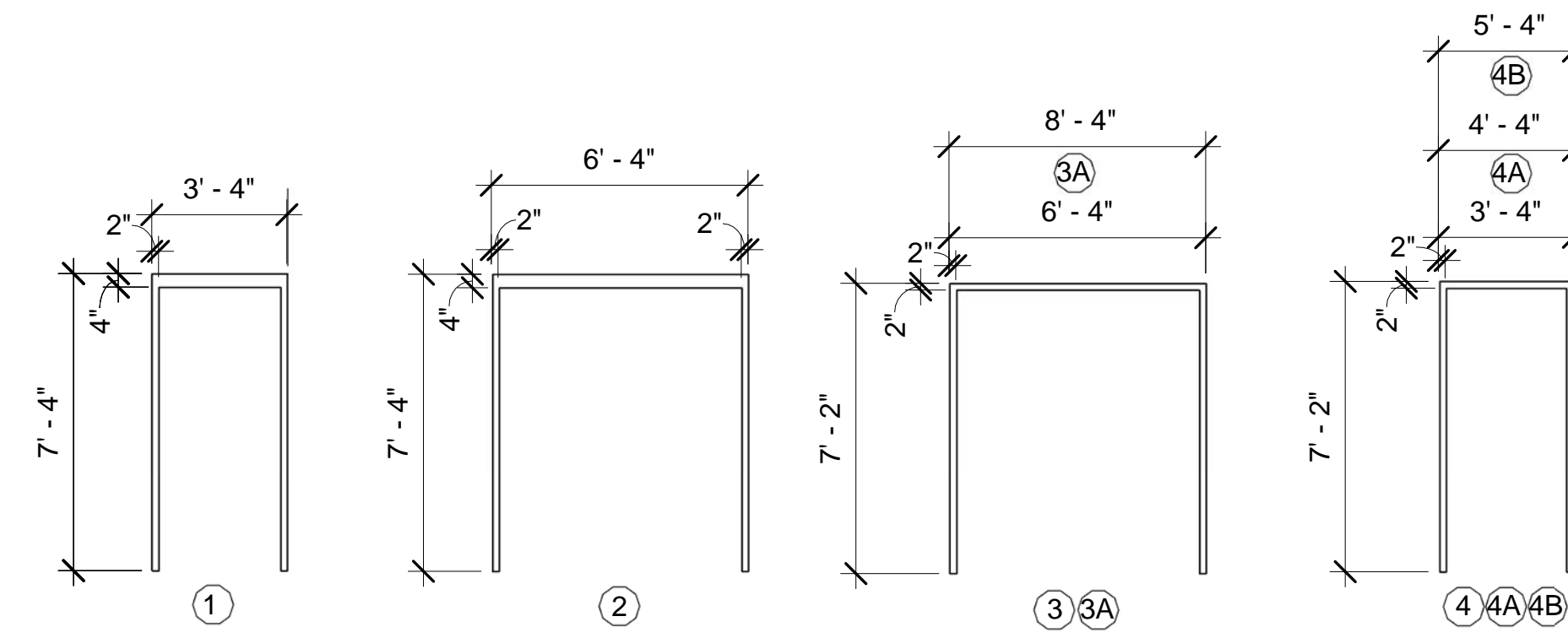
- SEE SHEET AE621 FOR ALUMINUM CURTAINWALL FRAME TYPES AND RETAILS REFERENCE.
- UNDERCUT DOOR 3/4".



NOTE: WS-3 AS INDICATED ON AE601



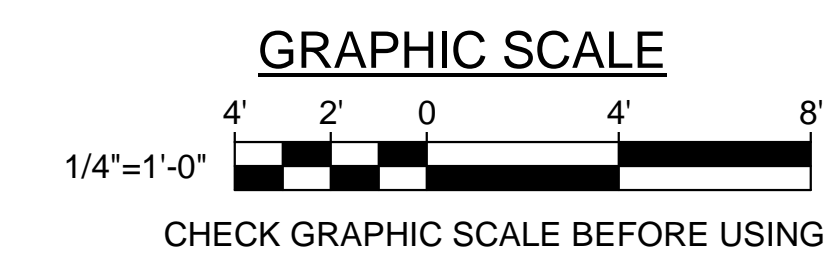
DOOR TYPES
SCALE: 1/4"=1'-0"



DOOR FRAMES
SCALE: 1/4"=1'-0"

GENERAL NOTES:

- ALL ALUMINUM DOORS FINISHED WITH HPC (HIGH PERFORMANCE COATING AS SPECIFIED).



		<p>STATE OF MAINE PUBLIC SCHOOL PROJECT</p> <p>TITLE: PORTLAND PUBLIC SCHOOLS NEW FRED P. HALL ELEMENTARY SCHOOL LOCATION: 23 ORONO ROAD, PORTLAND, ME</p> <p>TITLE THIS DWG: DOOR SCHEDULE AND DOOR FRAME TYPES</p>	
<p>3 06/12/17 CITY PERMITTING CET</p>		<p>2 04/04/17 ADDENDUM NO. 1 CET DRAWN BY: JGB</p>	
<p>1 04/13/17 ADDENDUM NO. 4 CET CHECK BY: TGB</p>		<p>NO. DATE DESCRIPTION BY NO.</p>	
<p>REVISIONS</p>		<p>DATE 06/12/17</p>	
<p>211 Main Street, Biddeford, Maine 04005</p>		<p>207.283.9192</p>	