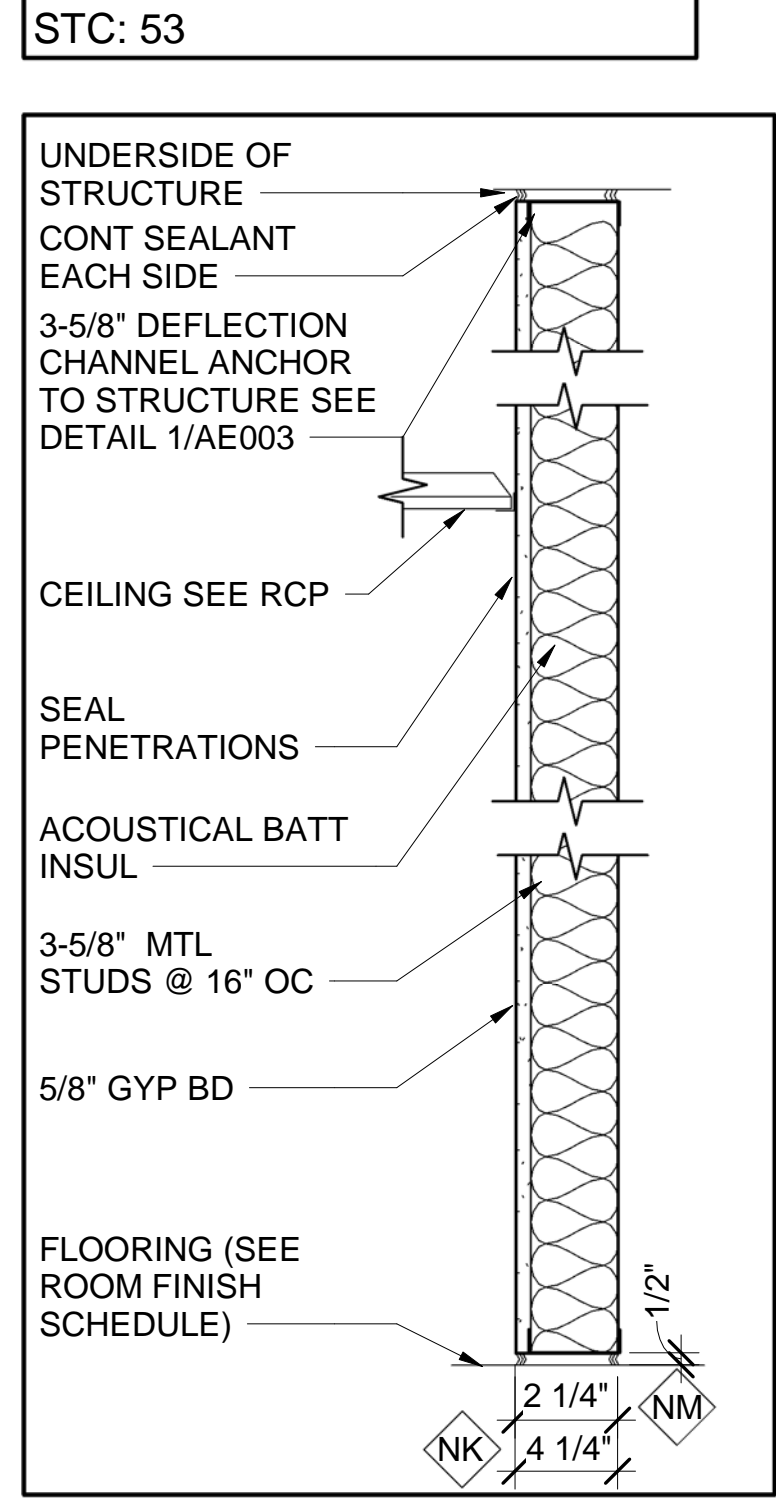


3-5/8" MTL STUD W/ 1/2" RESILIENT CHANNEL FULL HGT STC: 49

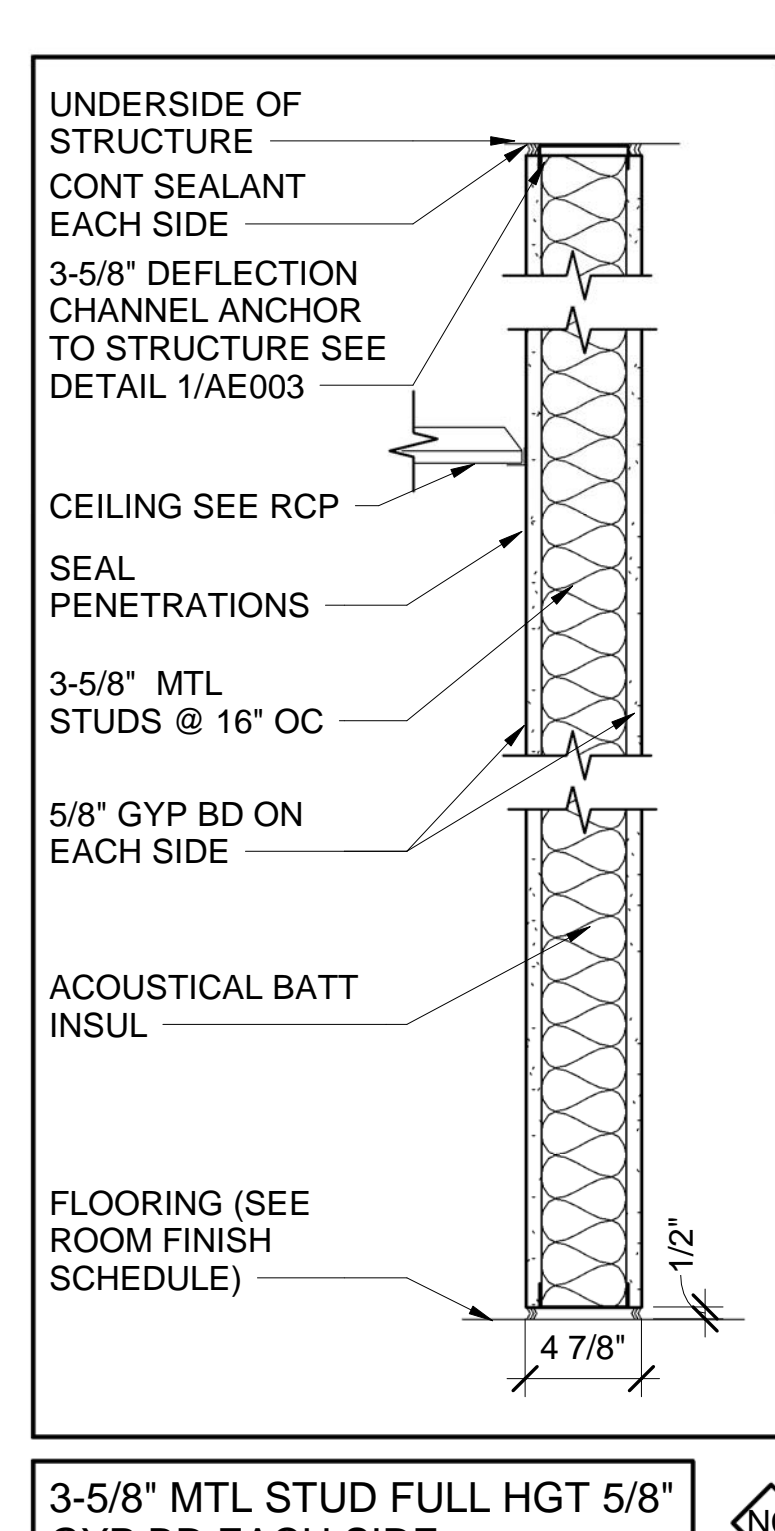
6" MTL STUD W/ 1/2" RESILIENT CHANNEL FULL HGT STC: 53

6" MTL STUD W/ 1/2" RESILIENT CHANNEL ON BOTH SIDES FULL HGT STC: 53

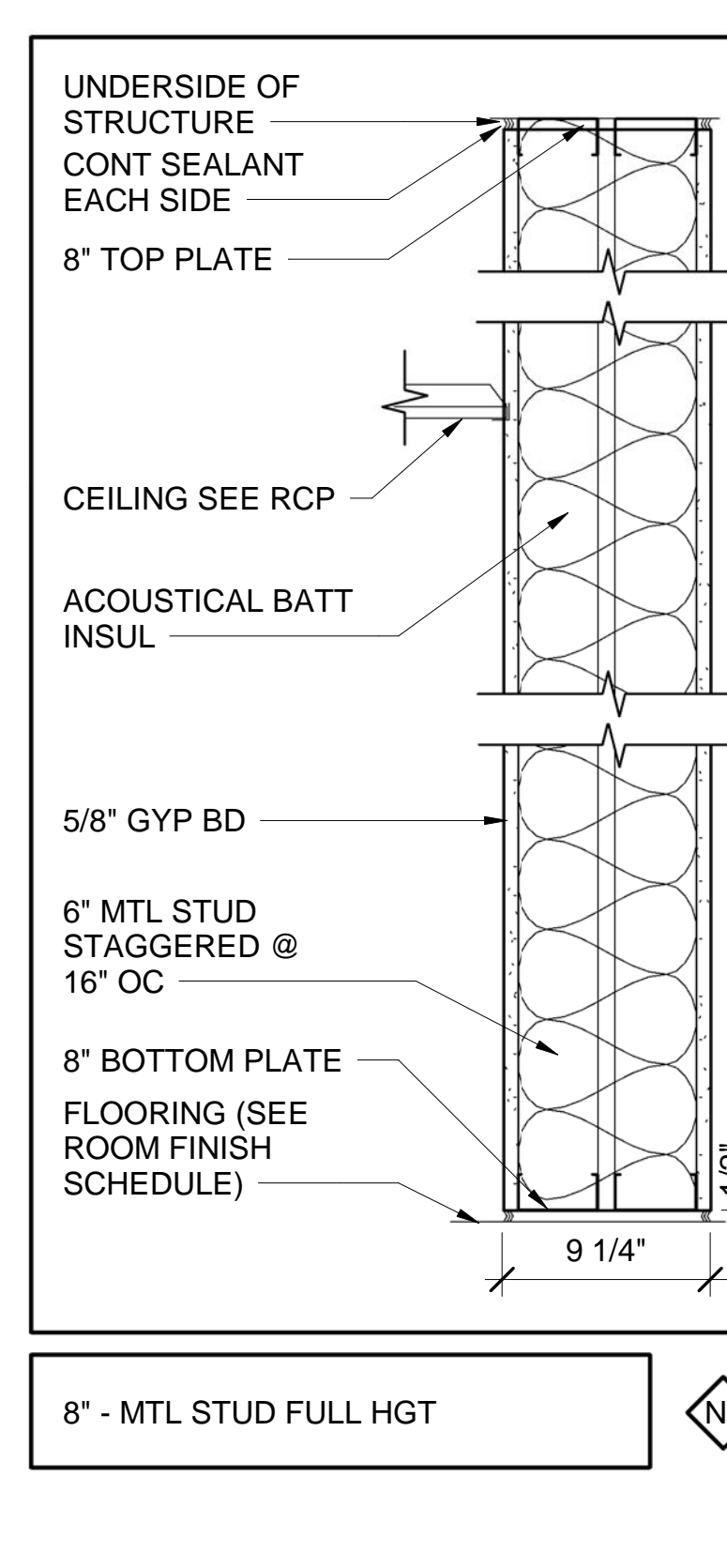


3-5/8" MTL STUD FULL HGT

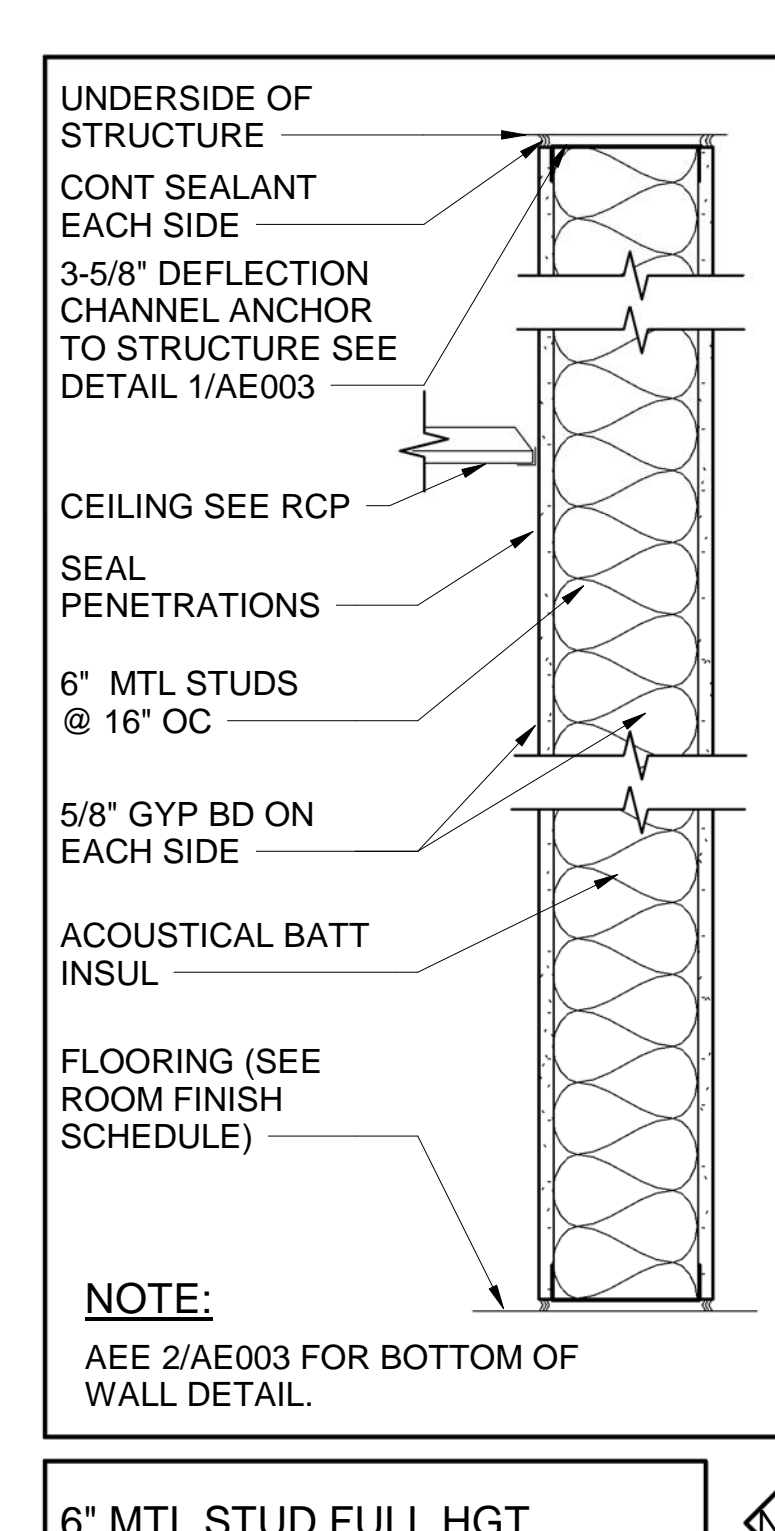
1-5/8" MTL STUD FULL HGT



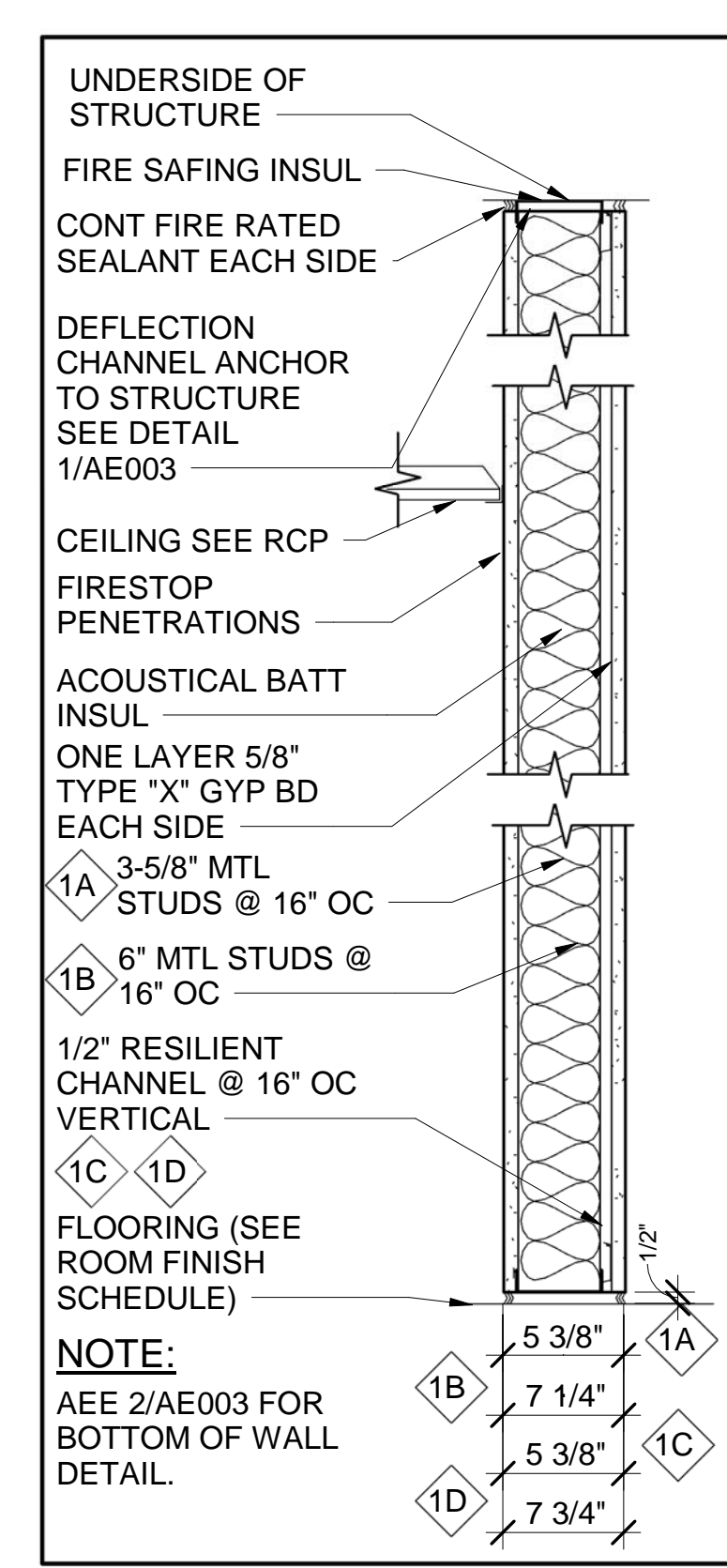
3-5/8" MTL STUD FULL HGT 5/8" GYP BD EACH SIDE



8" - MTL STUD FULL HGT



6" MTL STUD FULL HGT STC: 40

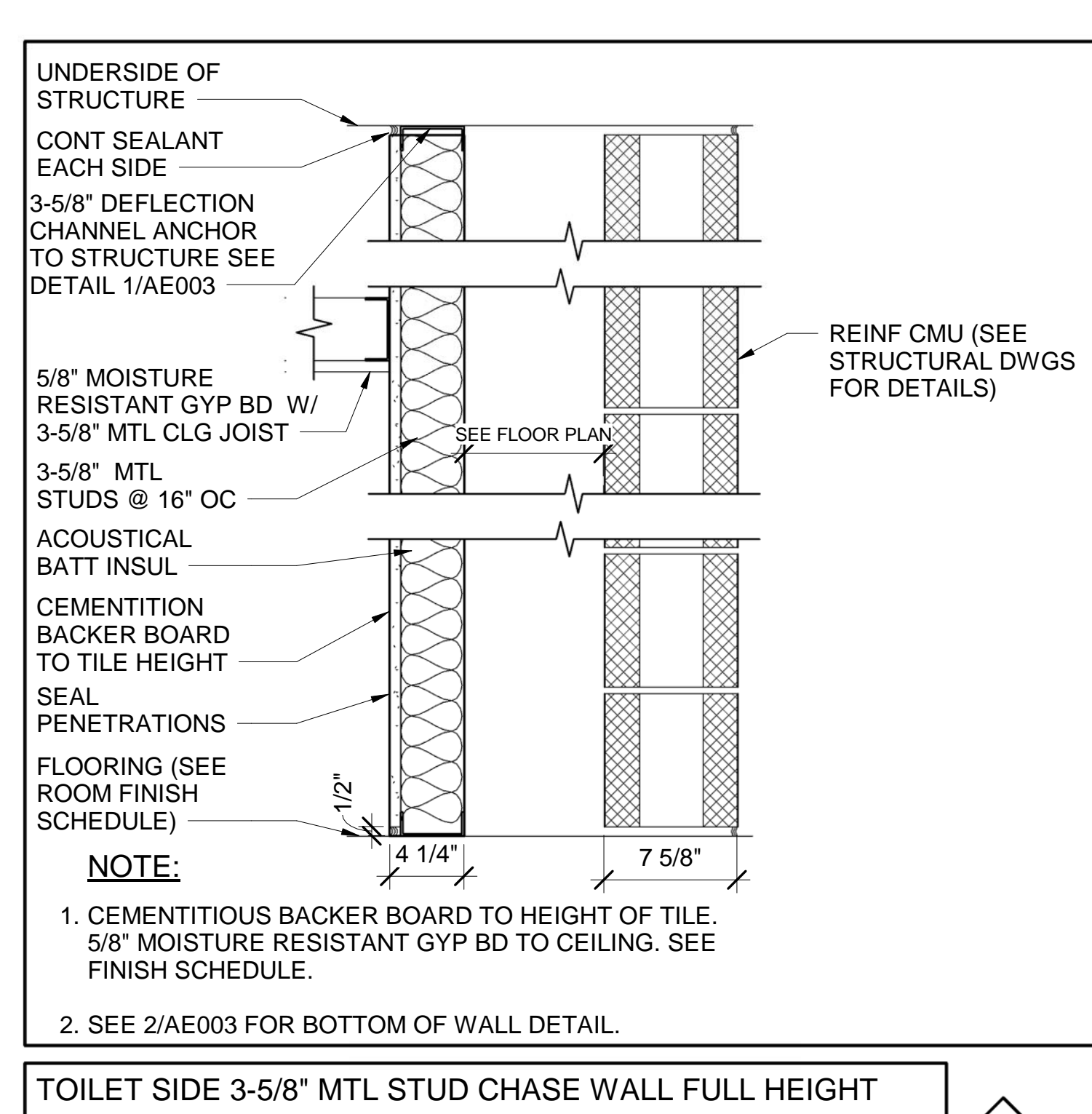


3-5/8" MTL STUD FULL HGT 1 HOUR RATED UL U465 STC: 49

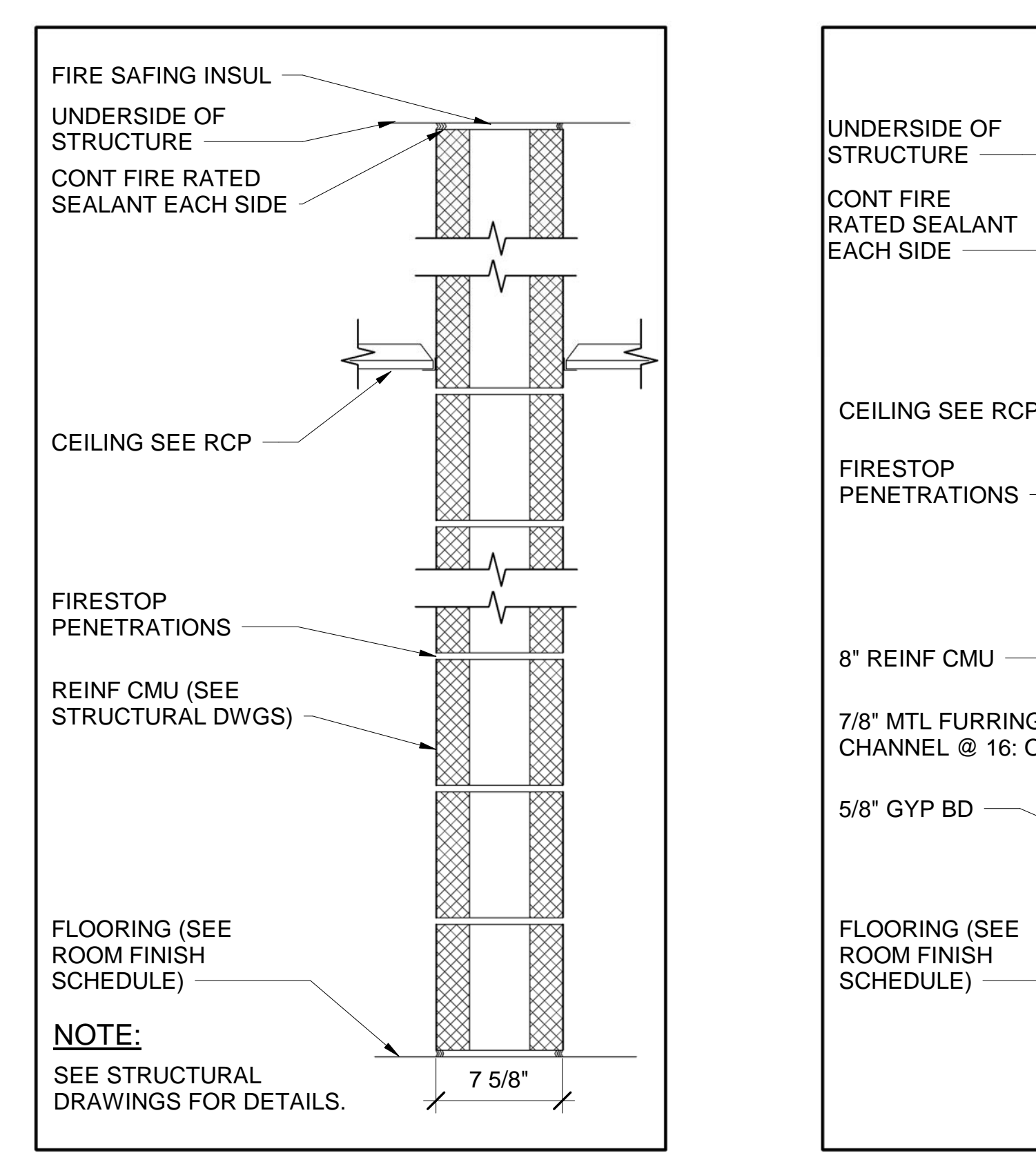
6" MTL STUD FULL HGT 1 HOUR RATED UL U465 STC: 33

3 5/8" MTL STUD FULL HGT 1 HOUR RATED UL U465 1/2" RESILIENT CHANNELS @ 16" OC STC: 49

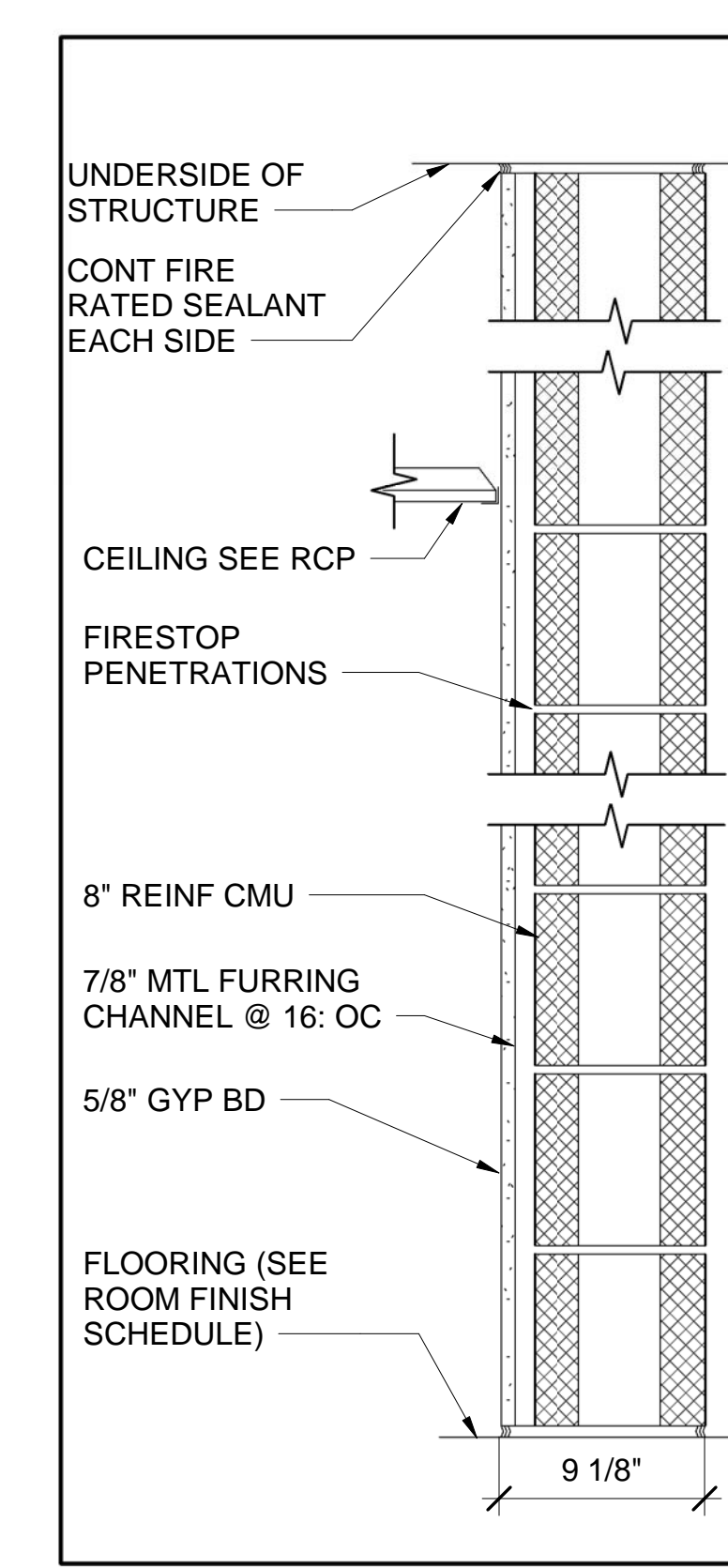
6" MTL STUD FULL HGT 1 HOUR RATED UL U465 1/2" RESILIENT CHANNELS @ 16" OC STC: 53



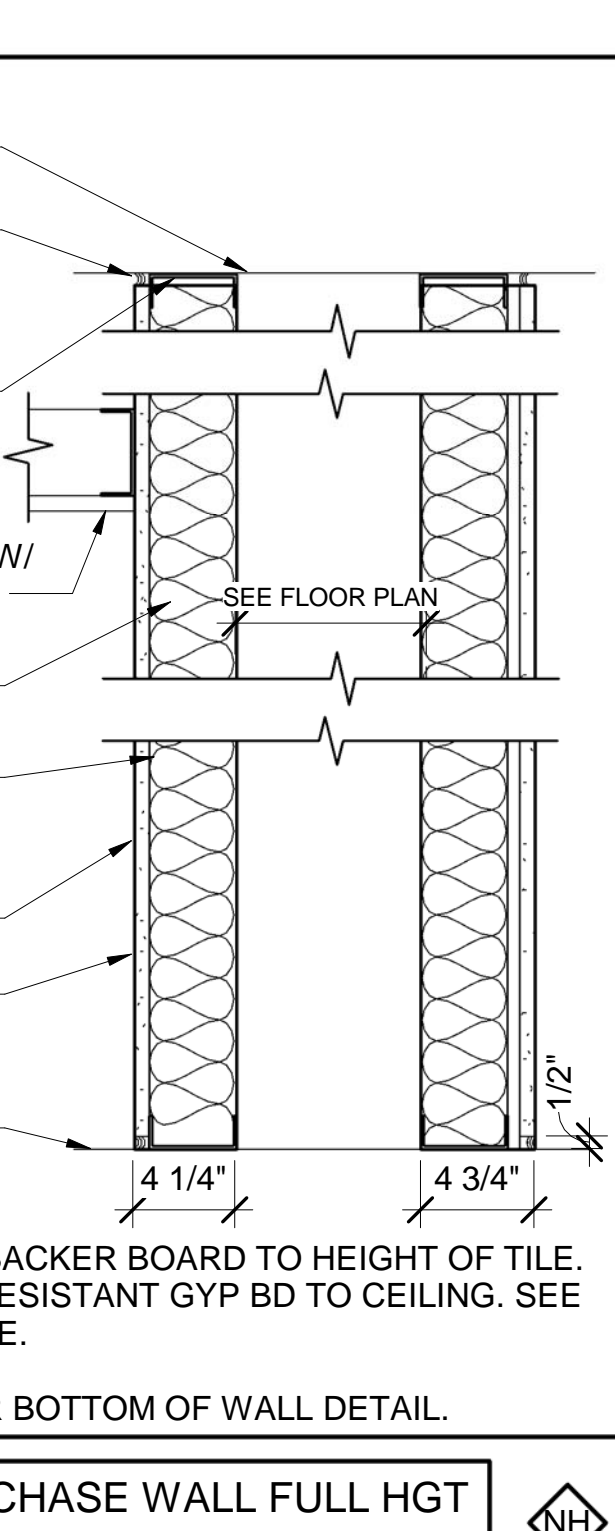
TOILET SIDE 3-5/8" MTL STUD CHASE WALL FULL HEIGHT OPPOSING SIDE 8" REINFORCED CMU



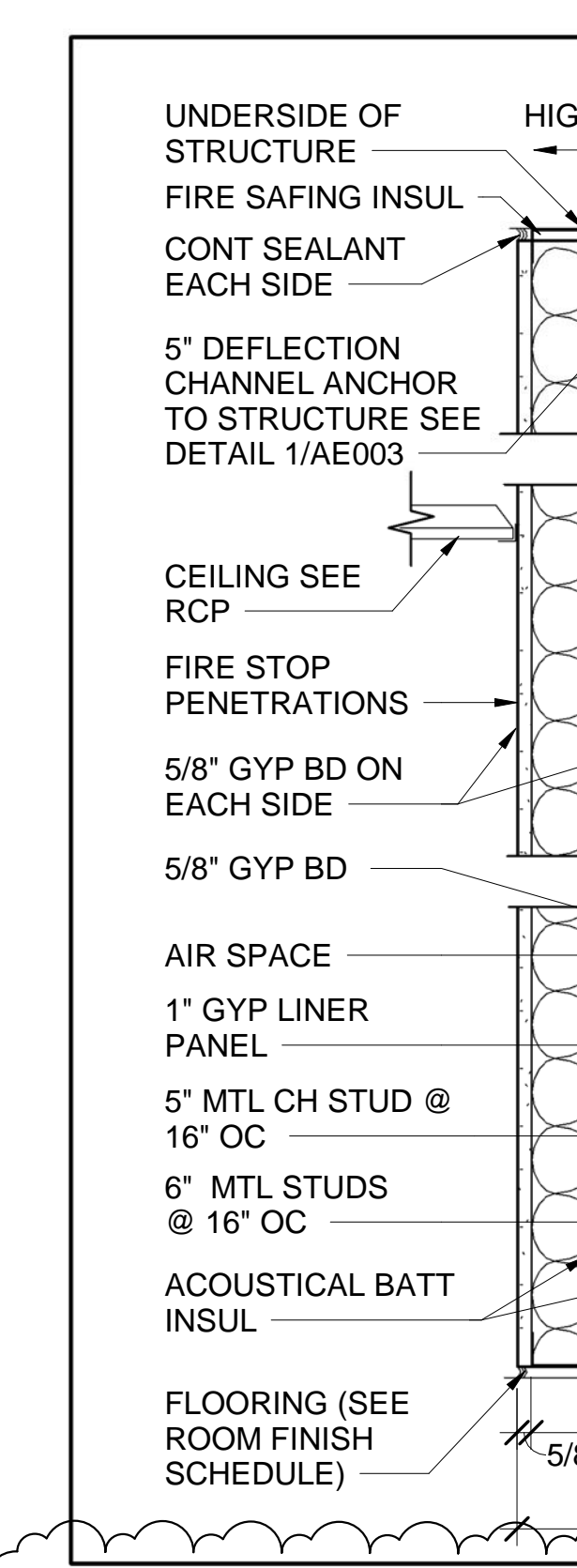
8" REINFORCED CMU 1 HOUR RATED UL U906



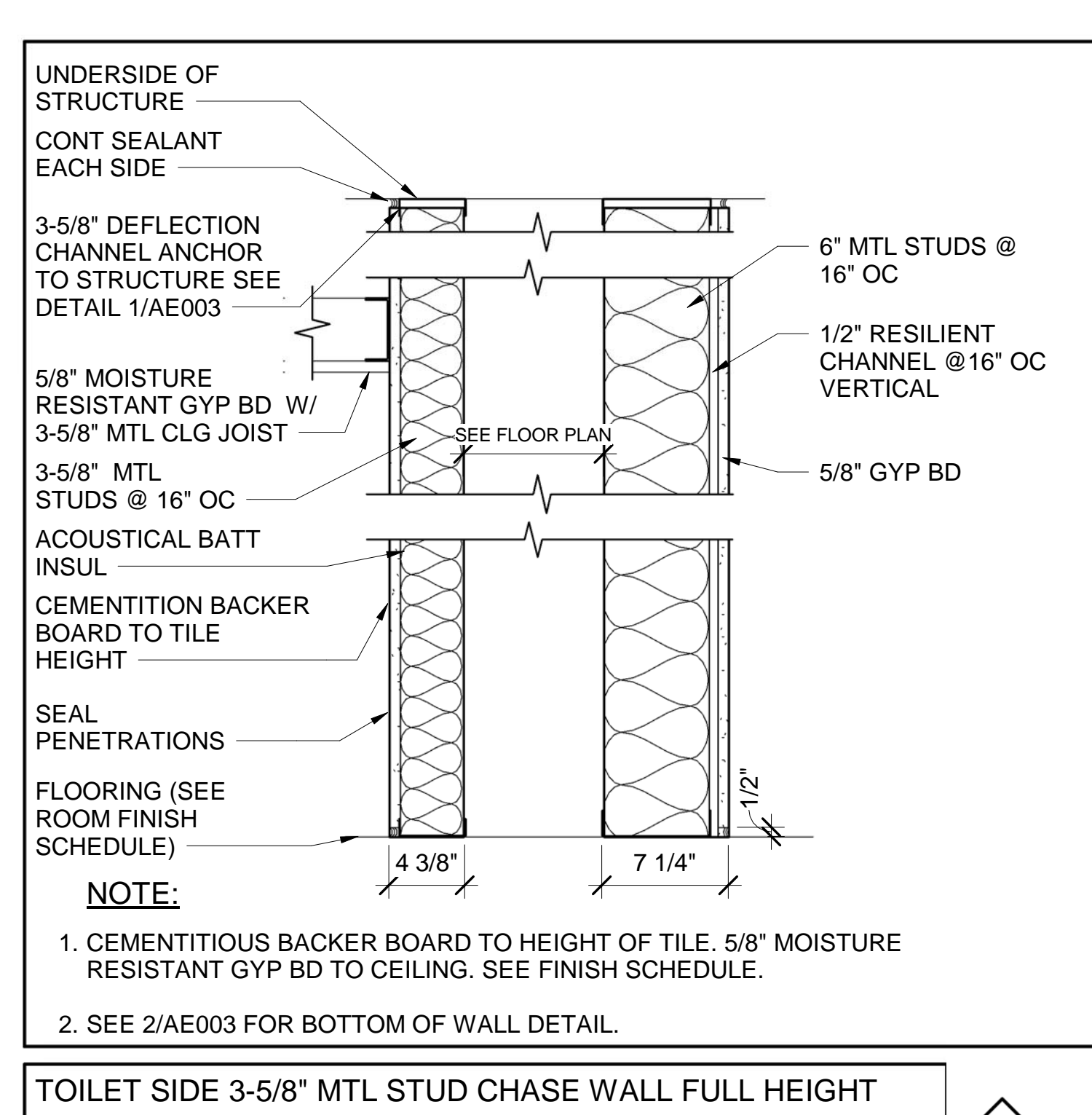
CMU WALL WITH FURRING AND GYP BD 1 HR RATED UL U914



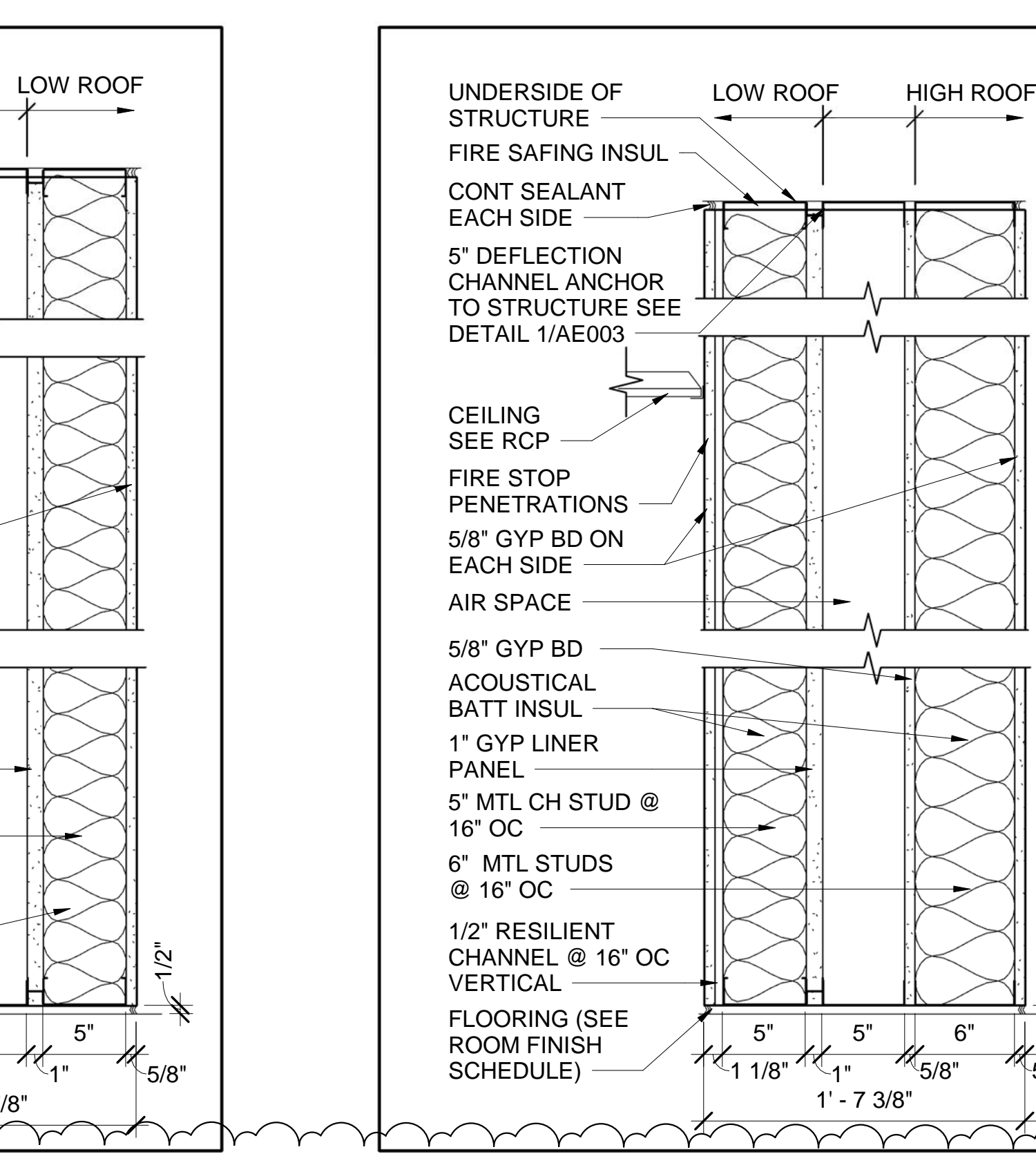
3-5/8" MTL STUD CHASE WALL FULL HGT



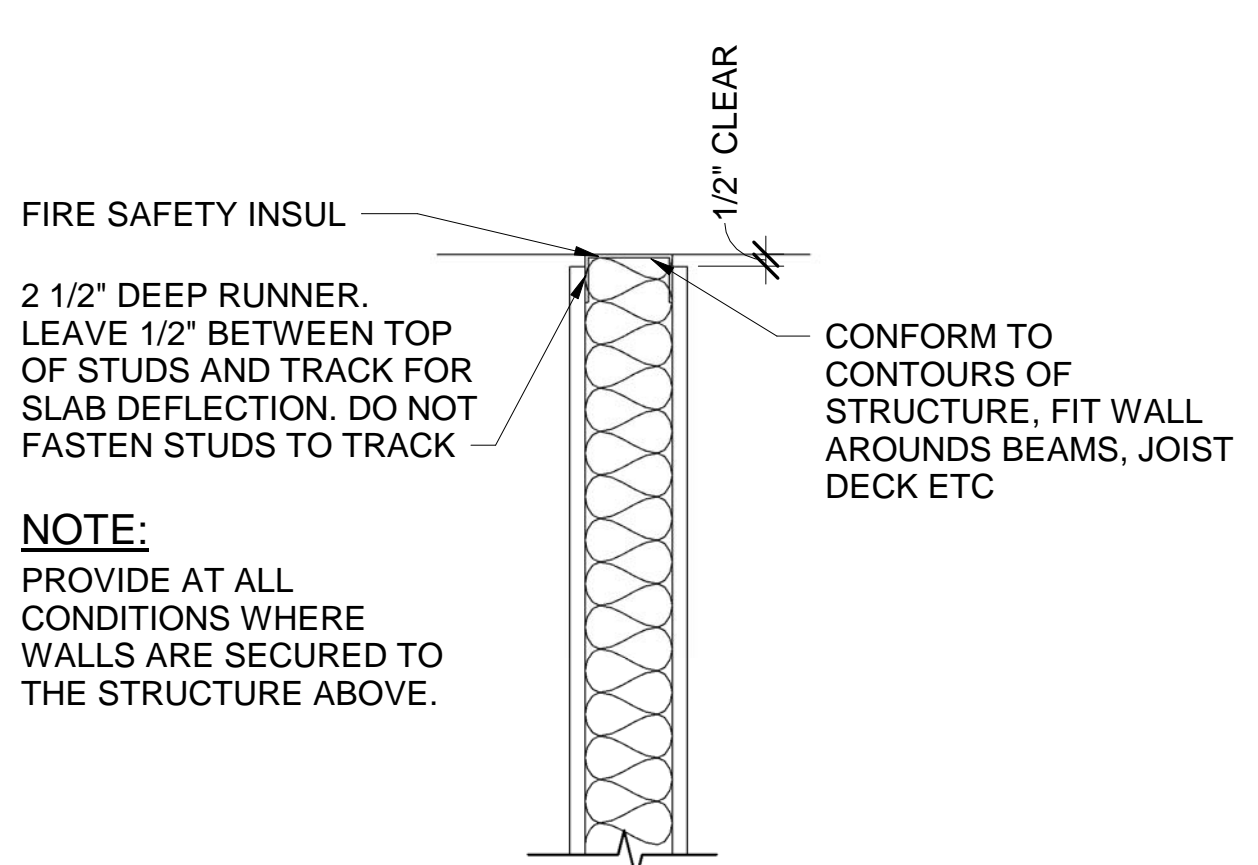
FIREWALL 2 HOUR RATED UL U415 - SHAFT WALL COMPONENT UL U465 - RATED GYPSUM COMPONENT



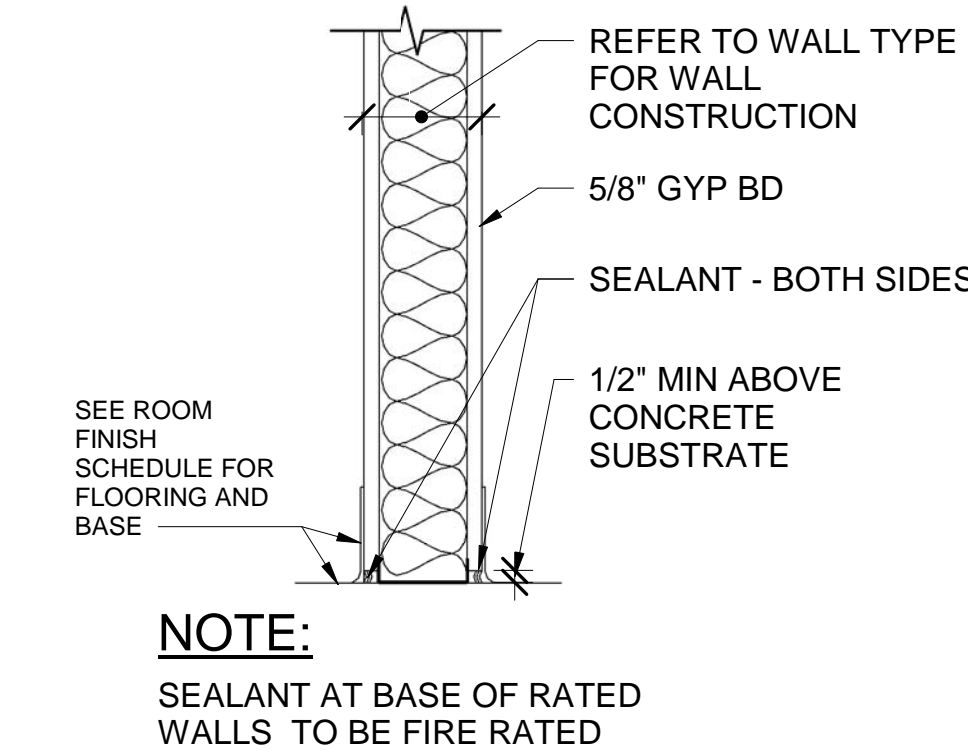
TOILET SIDE 3-5/8" MTL STUD CHASE WALL FULL HEIGHT OPPOSING SIDE 6" MTL STUD CHASE WALL FULL HEIGHT



FIREWALL W/ 1/2" RESILIENT 2 HOUR RATED UL U415 - SHAFT WALL COMPONENT UL U465 - RATED GYPSUM COMPONENT



1 TYP DEFLECTION CHANNEL DETAIL AE003/AE003/ SCALE: 1 1/2" = 1'-0"



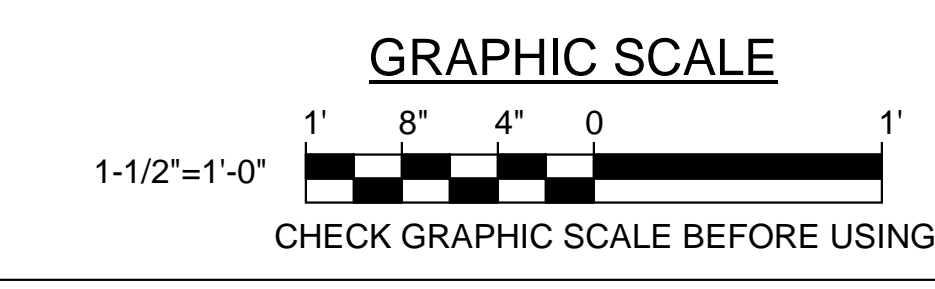
2 TYP GYP BD SILL DETAIL AE003/ SCALE: 1 1/2" = 1'-0"

GENERAL NOTES: (THIS SHEET ONLY)

- PROVIDE 5/8" ABUSE RESISTANT (V/HI) GYPSUM BOARD AT ALL EXPOSED CORRIDOR WALLS IN CORRIDORS A22, A16, A15, B13, B14, C17, D12 AND D28. TO 8'-0" MINIMUM ABOVE FINISH FLOOR AND AS INDICATED. ABUSE RESISTANT GYPSUM BOARD IS NOT REQUIRED BEHIND LOCKERS.
- SEE STRUCTURAL DRAWINGS FOR MASONRY WALL REINFORCING.
- SEE ROOM FINISH SCHEDULE AE640 FOR WALL FINISHES.
- GYPSUM BOARD WALLS WITH CERAMIC TILE FINISH SHALL HAVE 5/8" CEMENTITIOUS BACKER BOARD TO HEIGHT OF TILE. COORDINATE CERAMIC TILE WAINSCOTING WITH INTERIOR TOILET ELEVATIONS AND FINISH SCHEDULES.
- AT FIRE RESISTANT RATED ASSEMBLIES PROVIDE TESTED AND LISTED FIRESTOP SYSTEMS TO MAINTAIN THE INTEGRITY OF THE FIRE RESISTANT RATING. AREAS REQUIRING FIRESTOP SYSTEMS INCLUDE MEMBRANE PENETRATIONS, THROUGH PENETRATIONS, JOINTS BETWEEN ASSEMBLIES AND CONSTRUCTION JOINTS.
- AT SMOKE BARRIERS AND SMOKE PARTITIONS PROVIDE SEALANT TO MAINTAIN THE INTEGRITY OF THE SMOKE RESISTANCE OF THE ASSEMBLY. AREAS REQUIRING SEALANT INCLUDE MEMBRANE PENETRATIONS, THROUGH PENETRATIONS, JOINTS BETWEEN ASSEMBLIES AND CONSTRUCTION JOINTS.
- WHERE FLOORS INTERSECT EXTERIOR CURTAIN WALLS, PROVIDE A JOINT SYSTEM THAT IS CAPABLE OF LIMITING THE TRANSFER OF SMOKE.
- REFER TO SHEET AE520 FOR RATED WALL PENETRATION AND TOP OF WALL DETAILS.

FIREWALL NOTE: (WALL TYPES 2A AND 2B)

- 2 HOUR COMPOSITE WALL ACHIEVED BY A DOUBLE FIRE WALL, EACH WITH A 1-HOUR RATING AND 60 MINUTE OPENING PROTECTION PER 2009 IBC TABLE 706.4 FOOTNOTE A. TWO 1-HOUR WALLS EQUIVALENT TO A 2-HOUR FIRE WALL PER 2015 NFPA 221 TABLE 4.5.



		<p>STATE OF MAINE PUBLIC SCHOOL PROJECT</p> <p>TITLE: PORTLAND PUBLIC SCHOOLS NEW FRED P. HALL ELEMENTARY SCHOOL LOCATION: 23 ORONO ROAD, PORTLAND, ME</p> <p>TITLE THIS DWG: WALL TYPES AND DETAILS</p>	
NO.	DATE	DESCRIPTION	BY
2	06/12/17	CITY PERMITTING REQUEST	DEM
1	04/07/17	ADDENDUM NO. 2	TGB
REVISIONS		DATE	06/12/17

OAK POINT ASSOCIATES
 AE003
 DRAWING NO. 207.293.0127
 SHEET NO. 127 OF 312