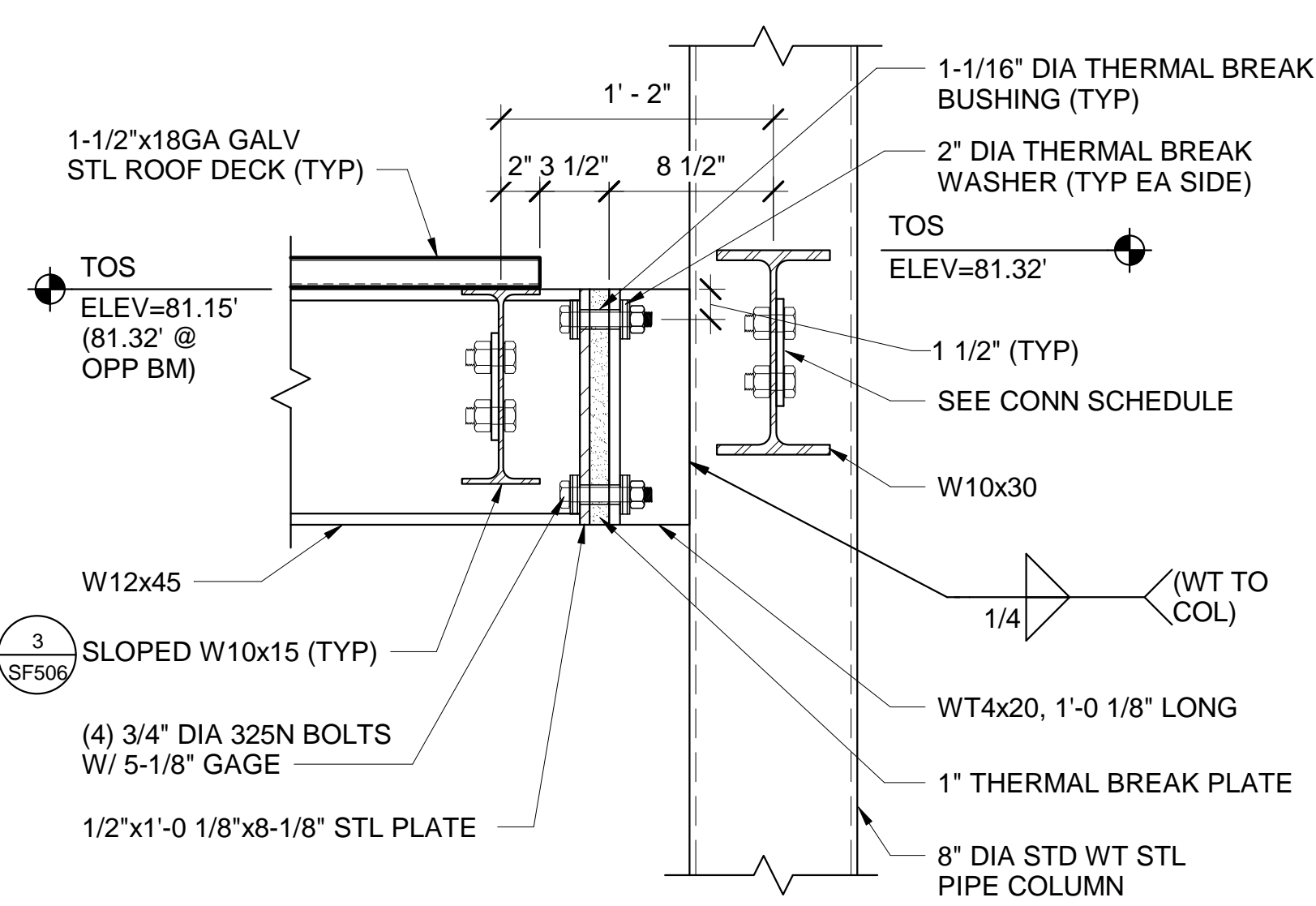


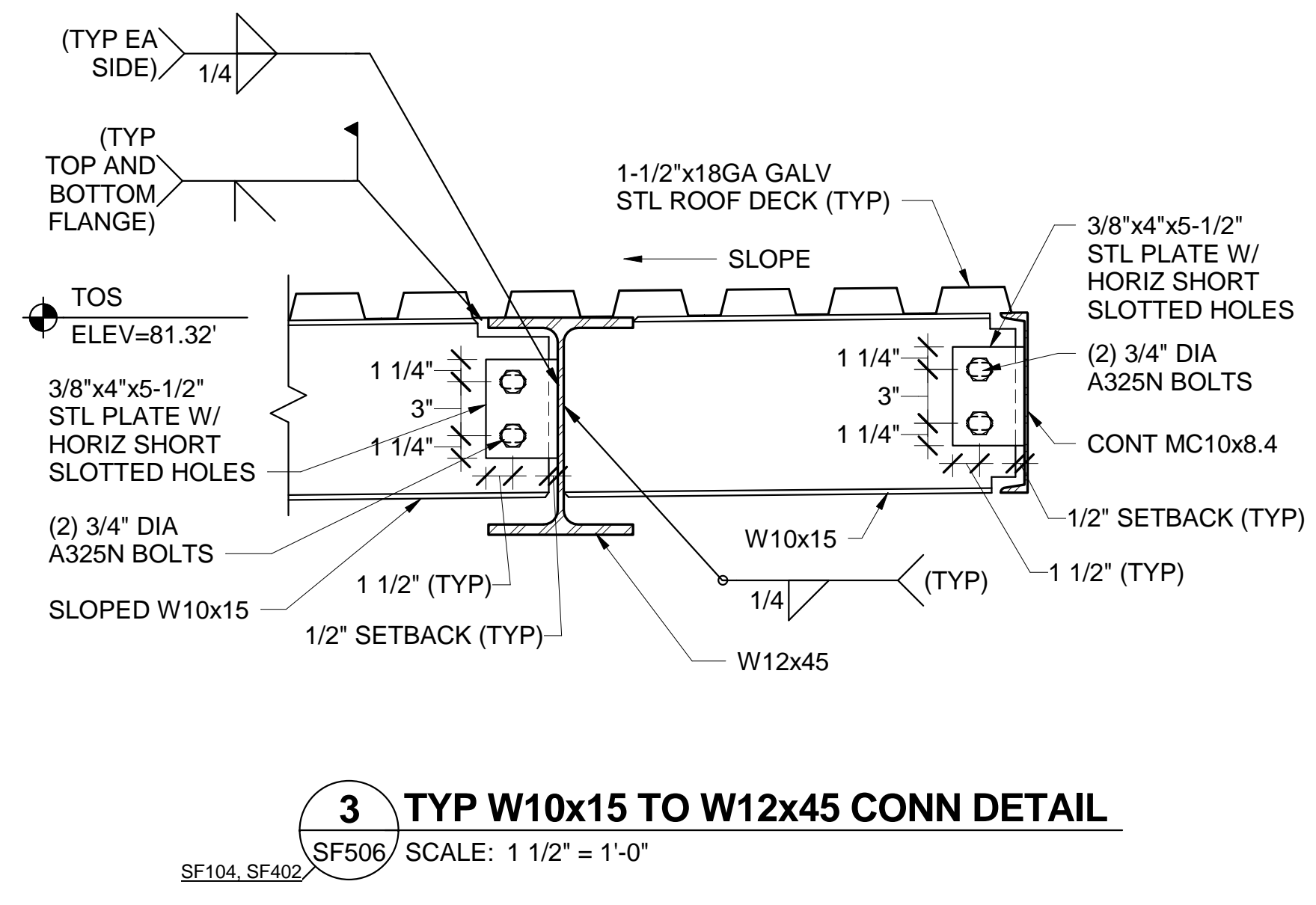
**1 TYP W12x45 TO 8" DIA STD WT PIPE DETAIL**

SF506/ SCALE: 1 1/2" = 1'-0"



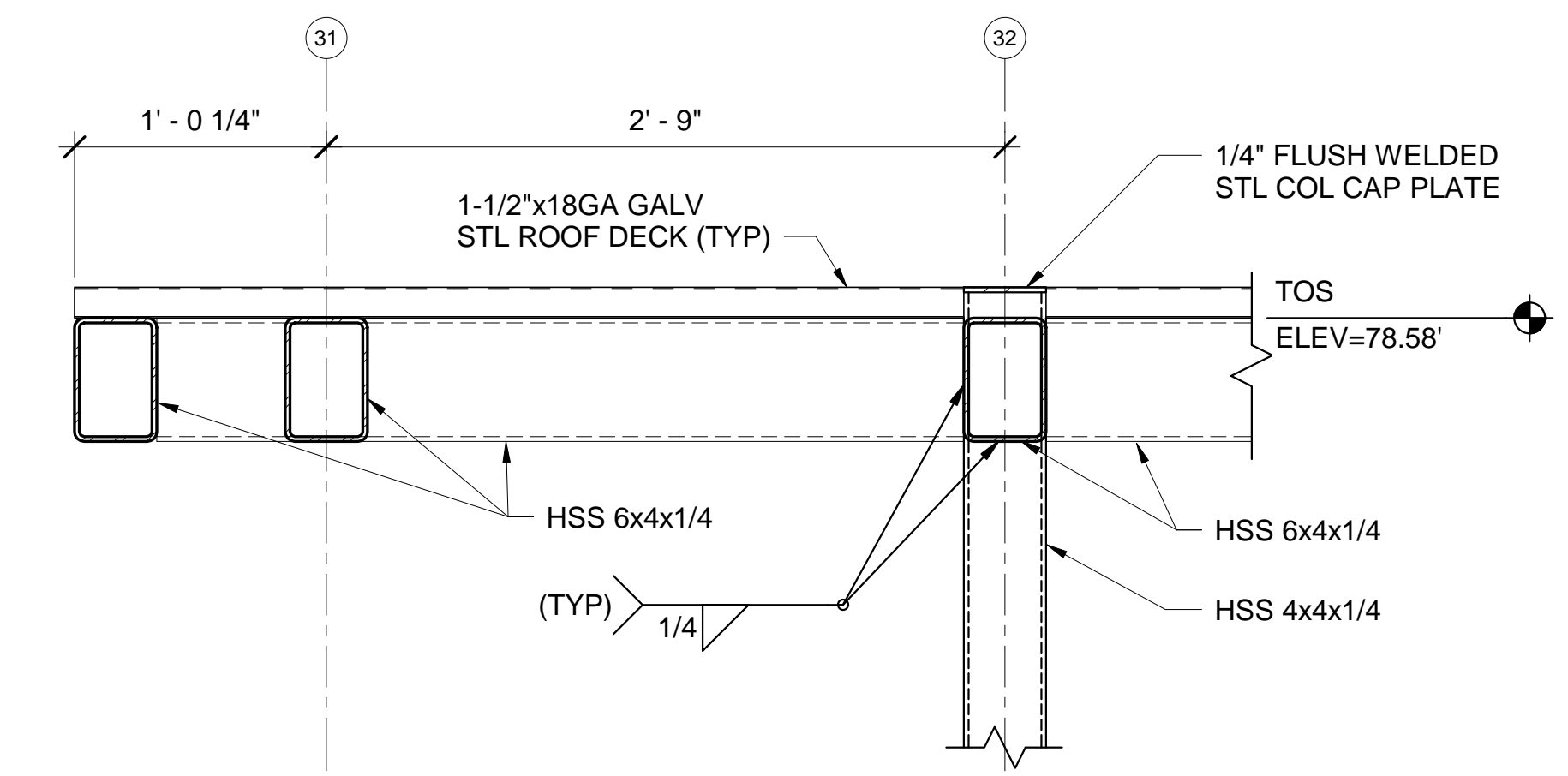
**2 TYP W12x45 TO 8" DIA STD WT PIPE THERMAL BREAK DETAIL**

SF506/ SCALE: 1 1/2" = 1'-0"



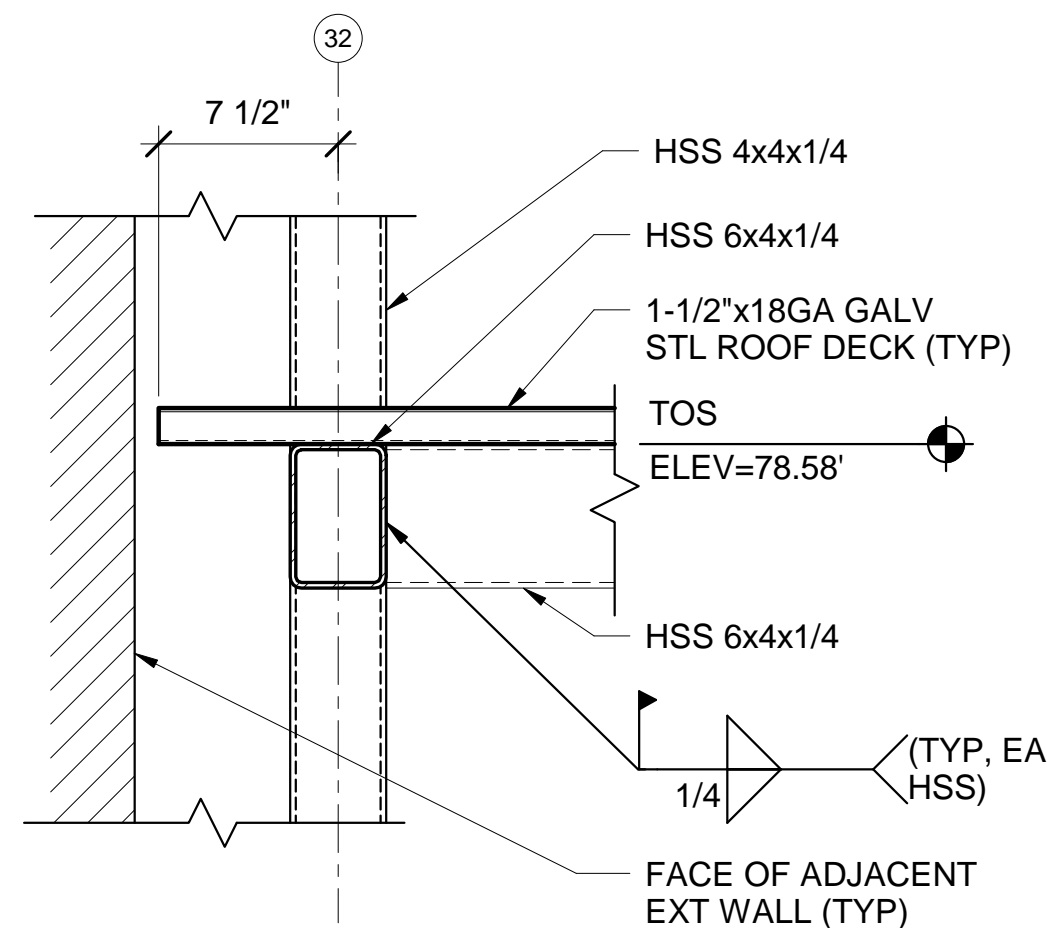
**3 TYP W10x15 TO W12x45 CONN DETAIL**

SF104, SF402/ SCALE: 1 1/2" = 1'-0"



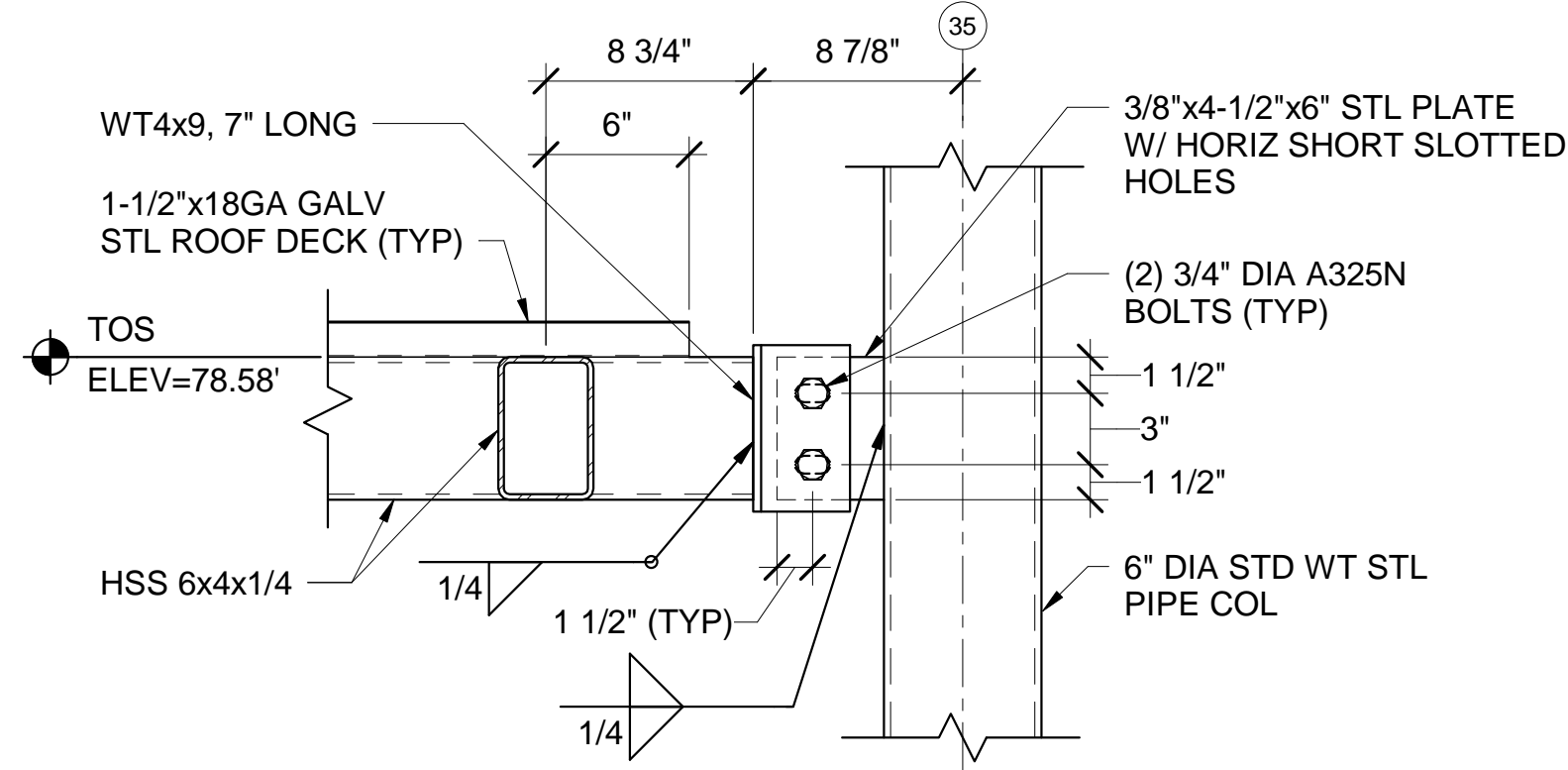
**4 TYP HSS 6x4x1/4 TO HSS 4x4x1/4 CANOPY COLUMN DETAIL**

SF506/ SCALE: 1 1/2" = 1'-0"



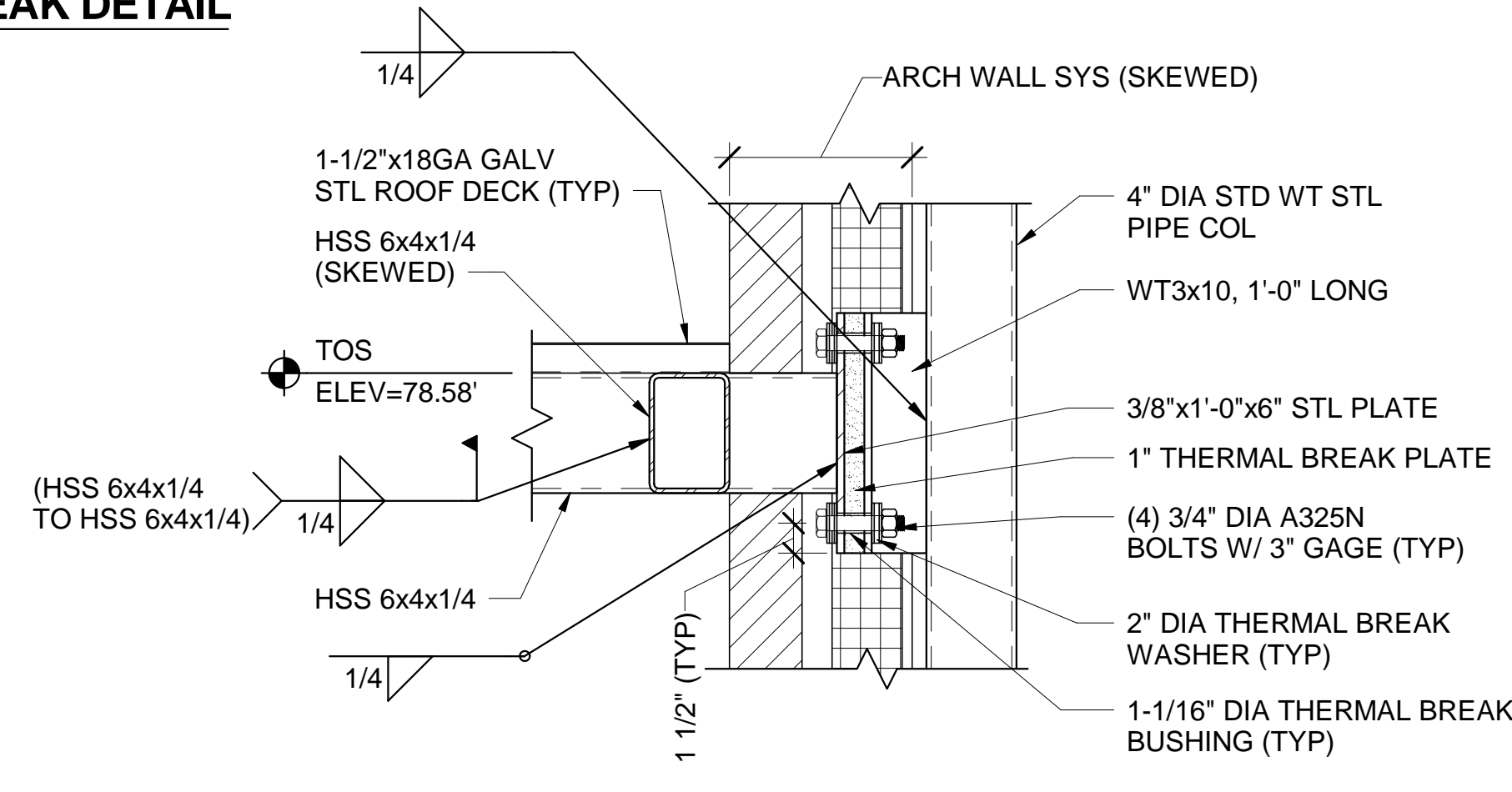
**5 TYP HSS 6x4x1/4 TO HSS 4x4x1/4 BLDG COL DETAIL**

SF506/ SCALE: 1 1/2" = 1'-0"



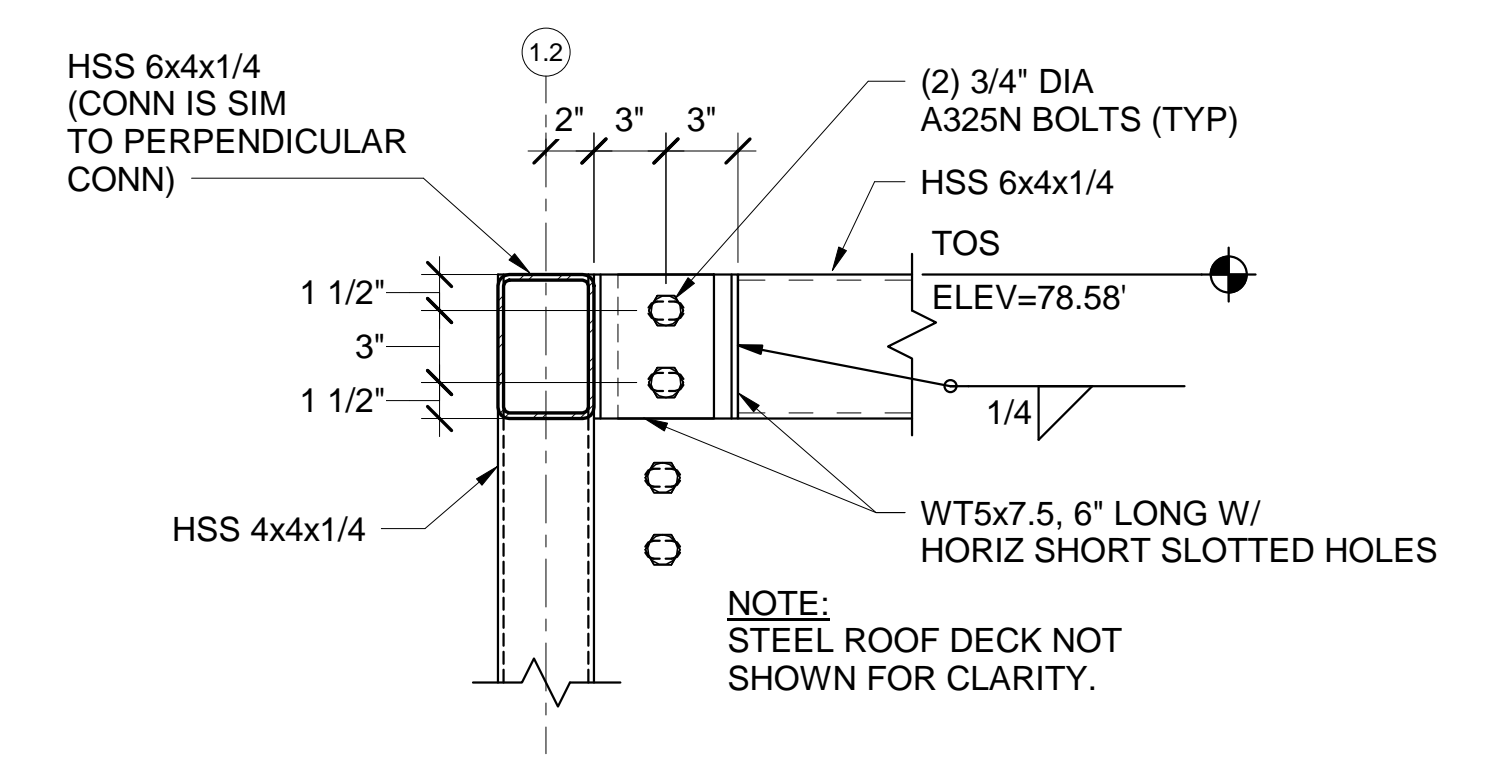
**6 TYP HSS 6x4x1/4 TO 6" DIA STD WT PIPE CONN DETAIL**

SF506/ SCALE: 1 1/2" = 1'-0"



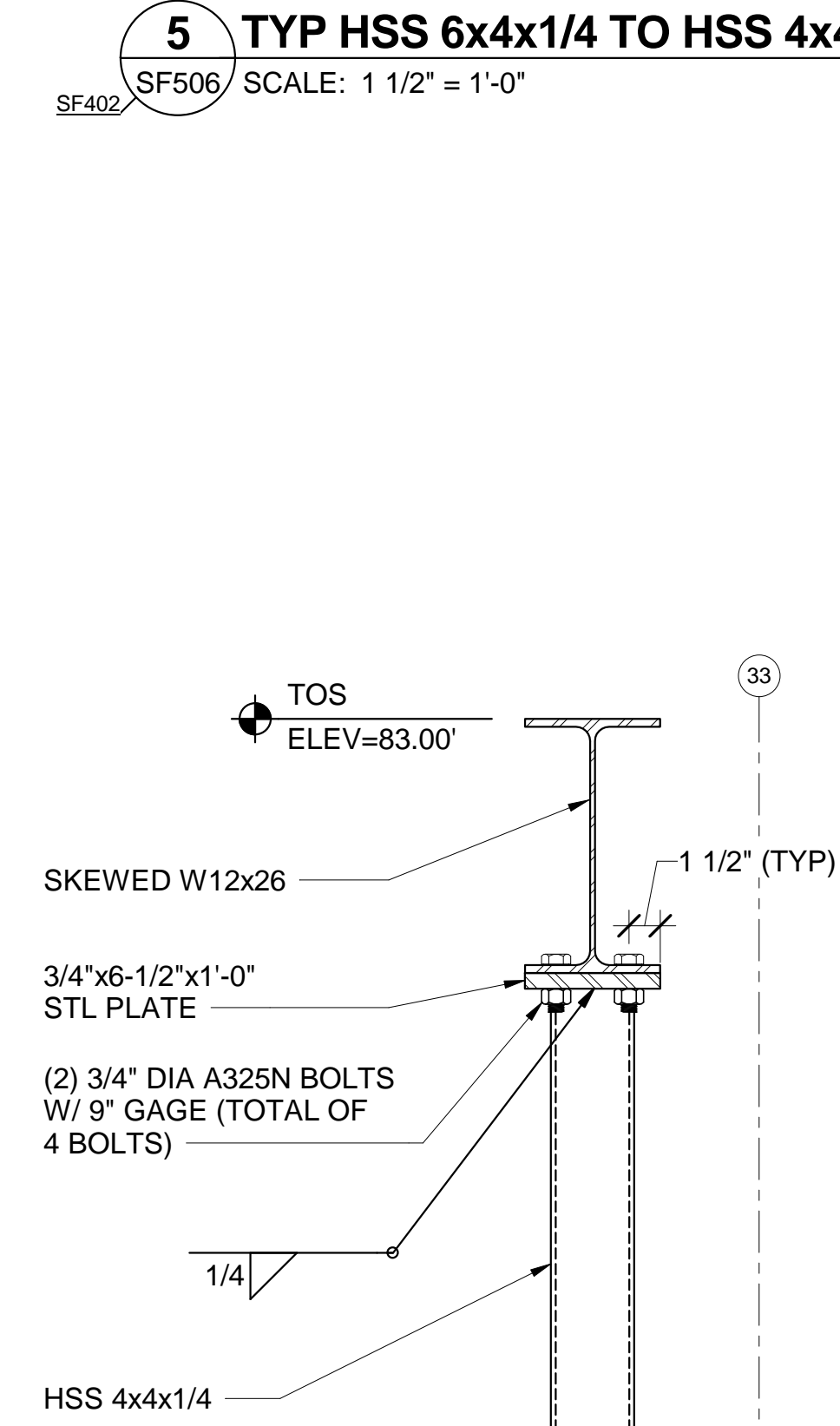
**7 TYP HSS 6x4x1/4 TO 4" DIA STD WT PIPE CONN DETAIL**

SF401, SF402/ SCALE: 1 1/2" = 1'-0"



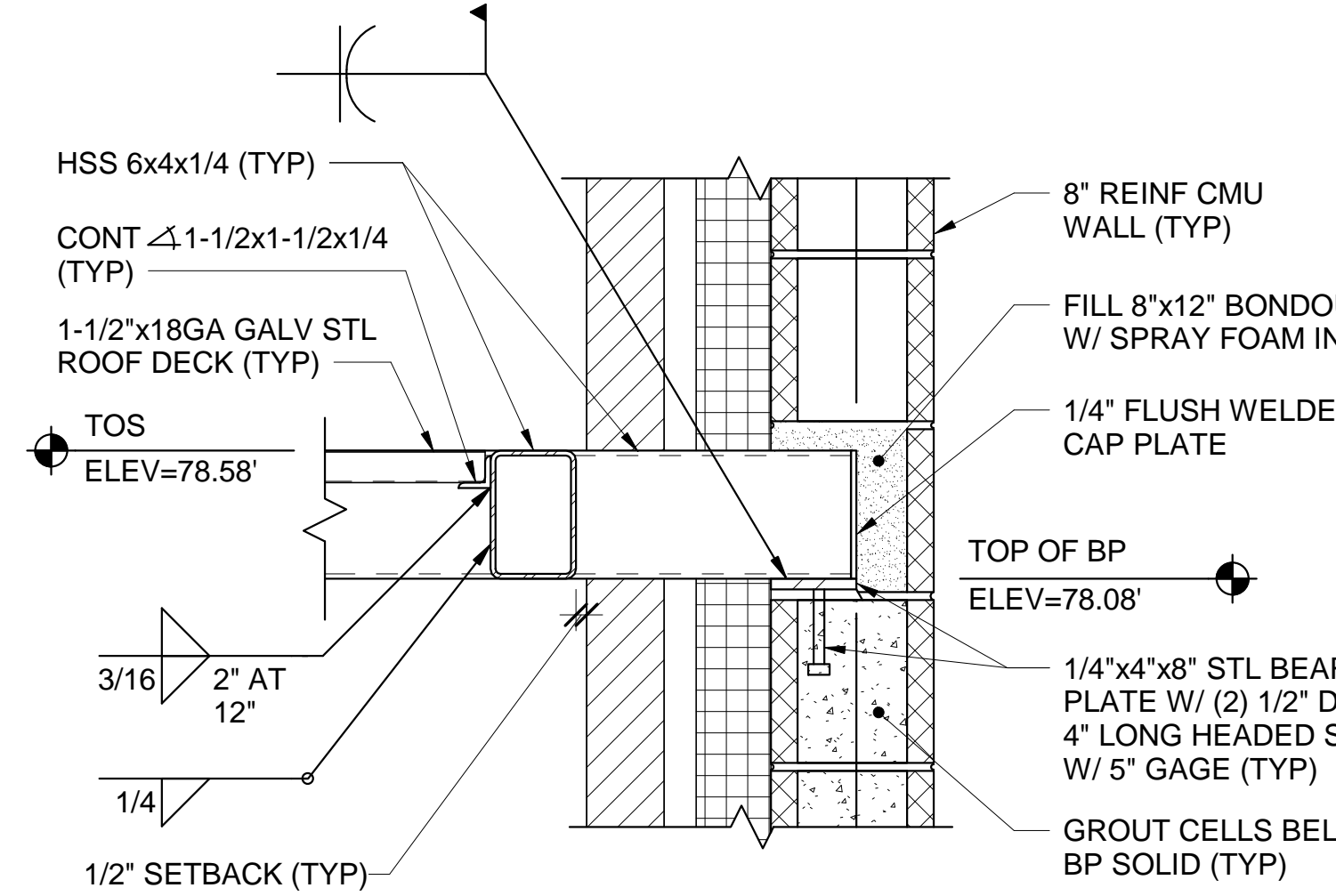
**8 TYP HSS 6x4x1/4 TO HSS 4x4x1/4 CONN DETAIL**

SF506/ SCALE: 1 1/2" = 1'-0"



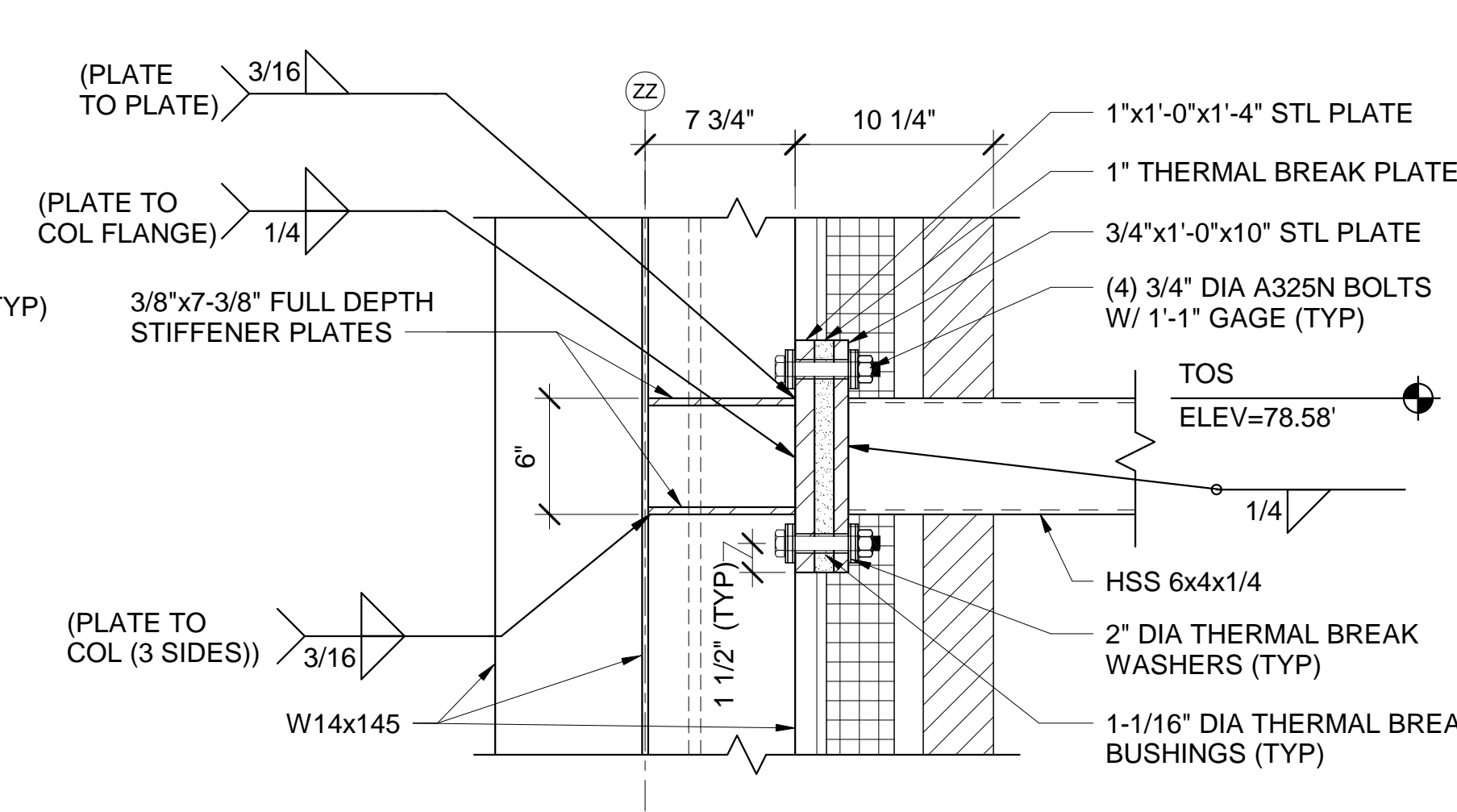
**9 TYP HSS 4x4x1/4 HANGER DETAIL**

SF506/ SCALE: 1 1/2" = 1'-0"



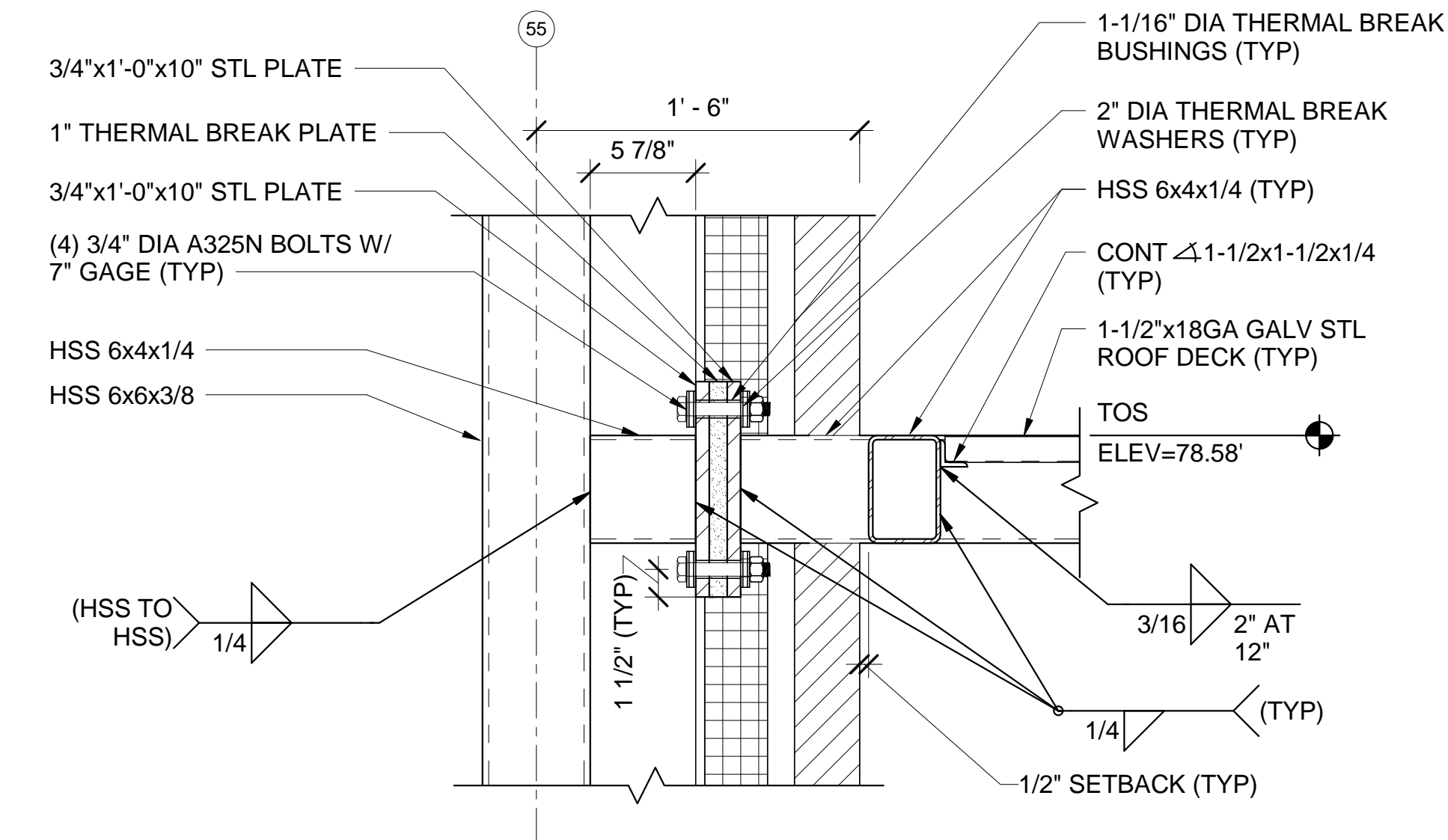
**10 TYP HSS 6x4x1/4 BEAM BEARING PLATE DETAIL**

SF203, SF401/ SCALE: 1 1/2" = 1'-0"



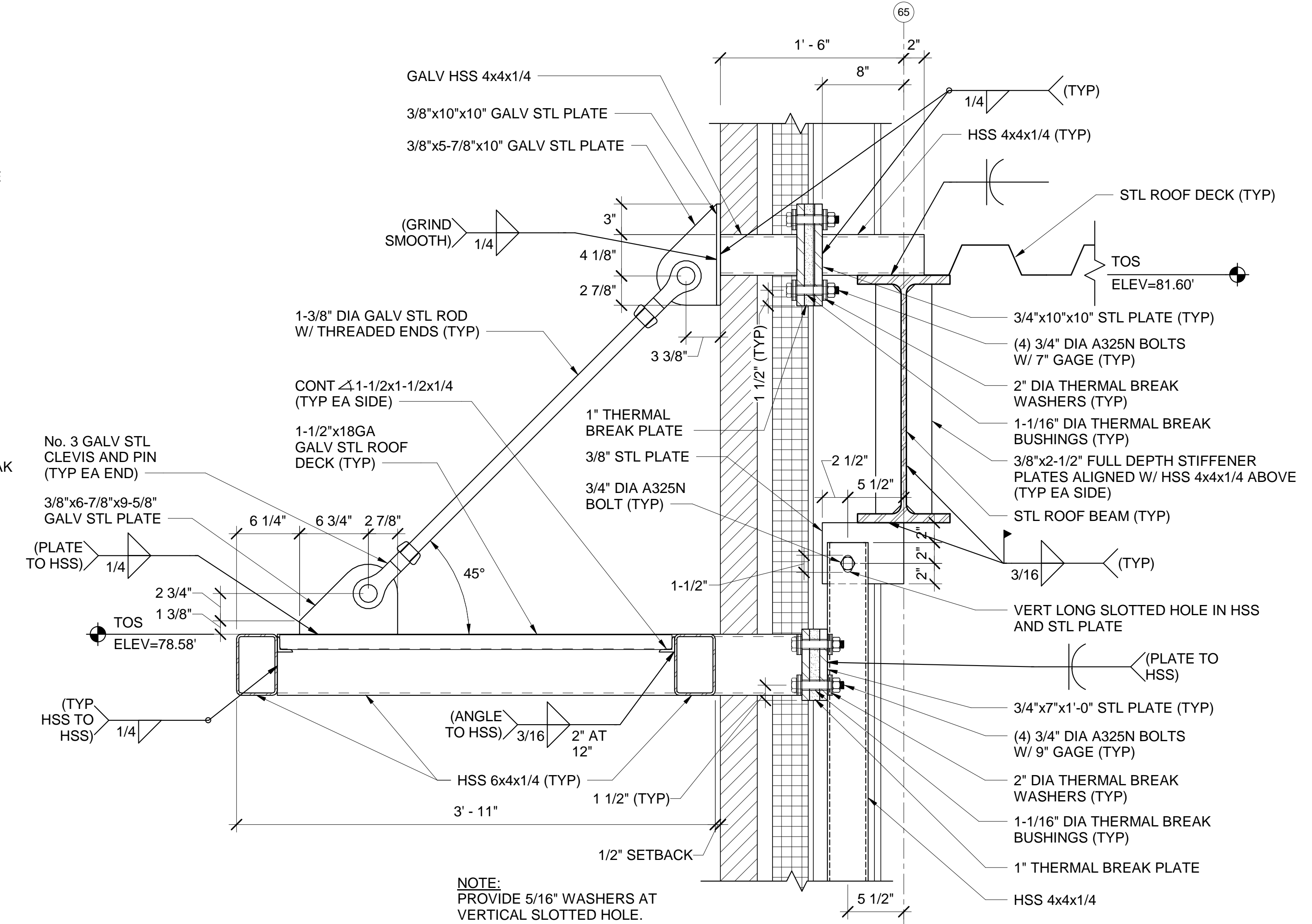
**11 TYP HSS 6x4x1/4 TO W14x45 CONN DETAIL**

SF506/ SCALE: 1 1/2" = 1'-0"



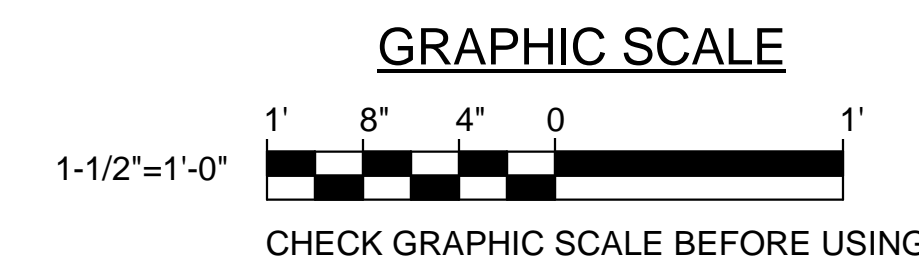
**12 TYP HSS 6x4x1/4 TO HSS 6x6x3/8 CONN DETAIL**

SF401, SF402/ SCALE: 1 1/2" = 1'-0"



**13 TYP CANOPY W/ THREADED ROD SUPPORT DETAIL**

SF401, SF402/ SCALE: 1 1/2" = 1'-0"



		<b>STATE OF MAINE PUBLIC SCHOOL PROJECT</b>	
TITLE: PORTLAND PUBLIC SCHOOLS NEW FRED P. HALL ELEMENTARY SCHOOL		LOCATION: 23 ORONO ROAD, PORTLAND, ME	
TITLE THIS DWG: STRUCTURAL DETAILS 6		DRAWN BY: MJC CHECK BY: DNM DATE: 03/17/17	
NO. DATE DESCRIPTION BY NO.		REVISIONS	
113 OF 312		OAK POINT ASSOCIATES SF506	