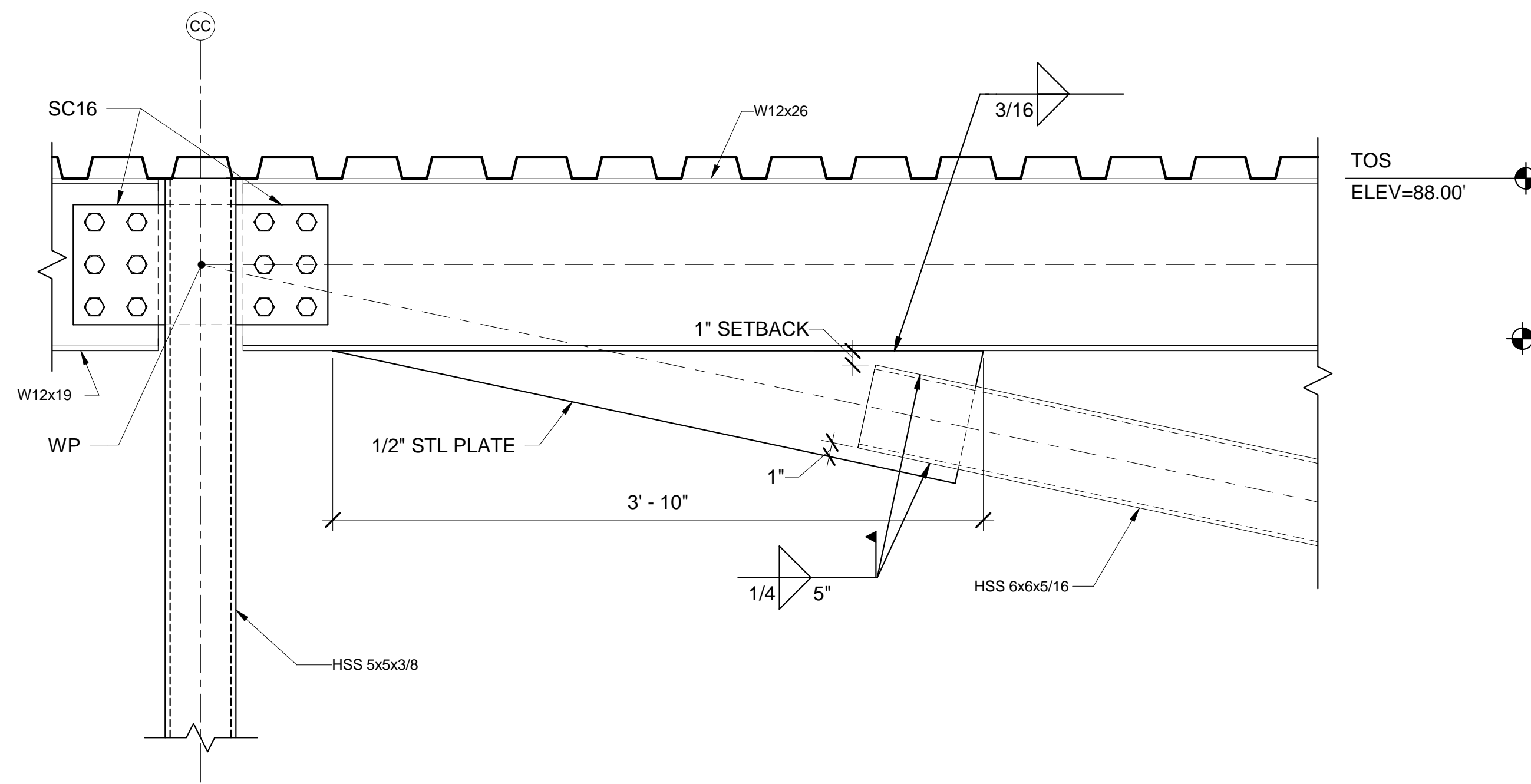


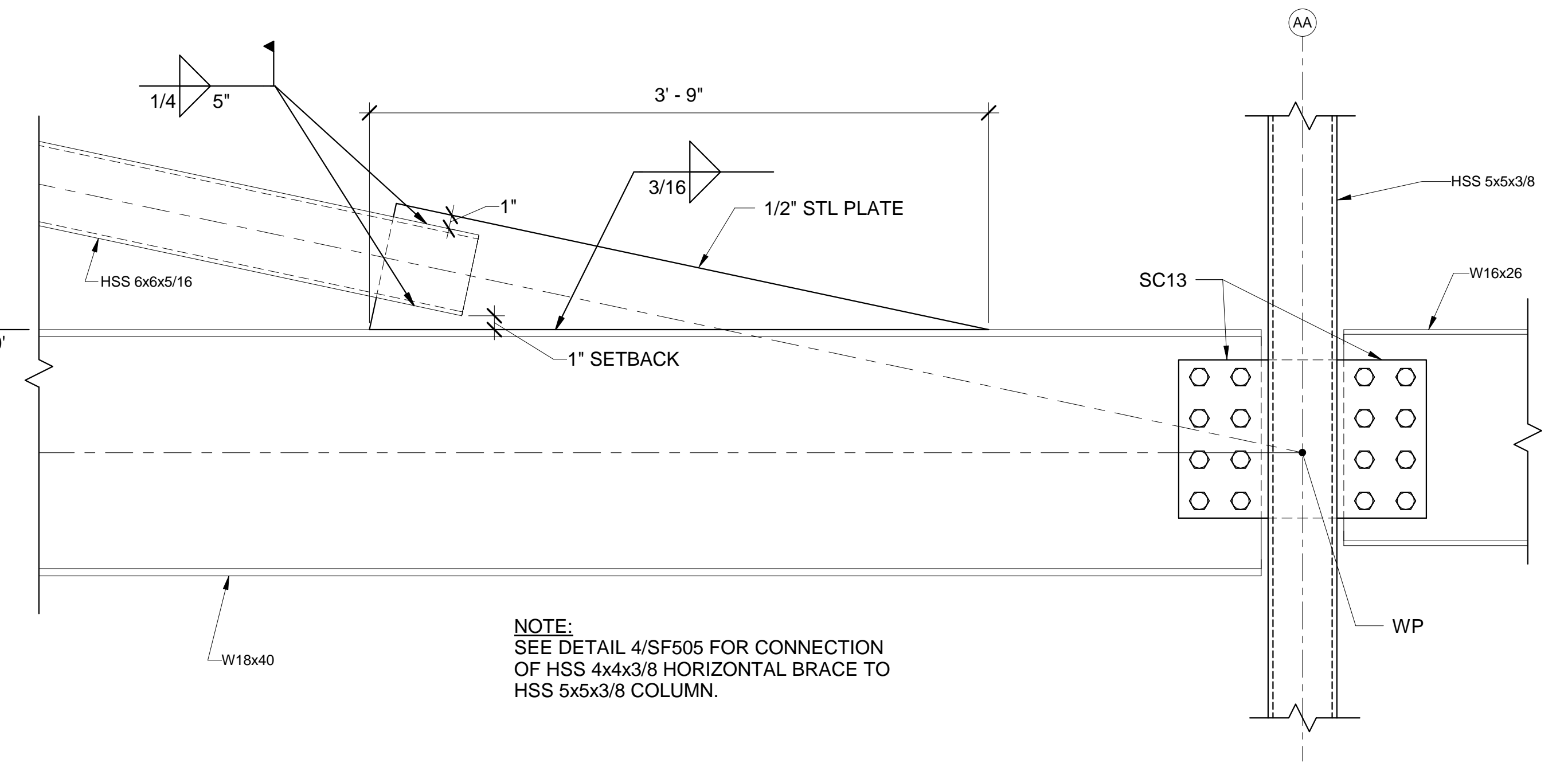
1 CAFETERIA DIAGONAL BRACE ELEVATION

SF505 / SCALE: 1/4" = 1'-0"



2 HSS 6x6x5/16 TO W12x26/HSS 5x5x3/8 CONN DETAIL

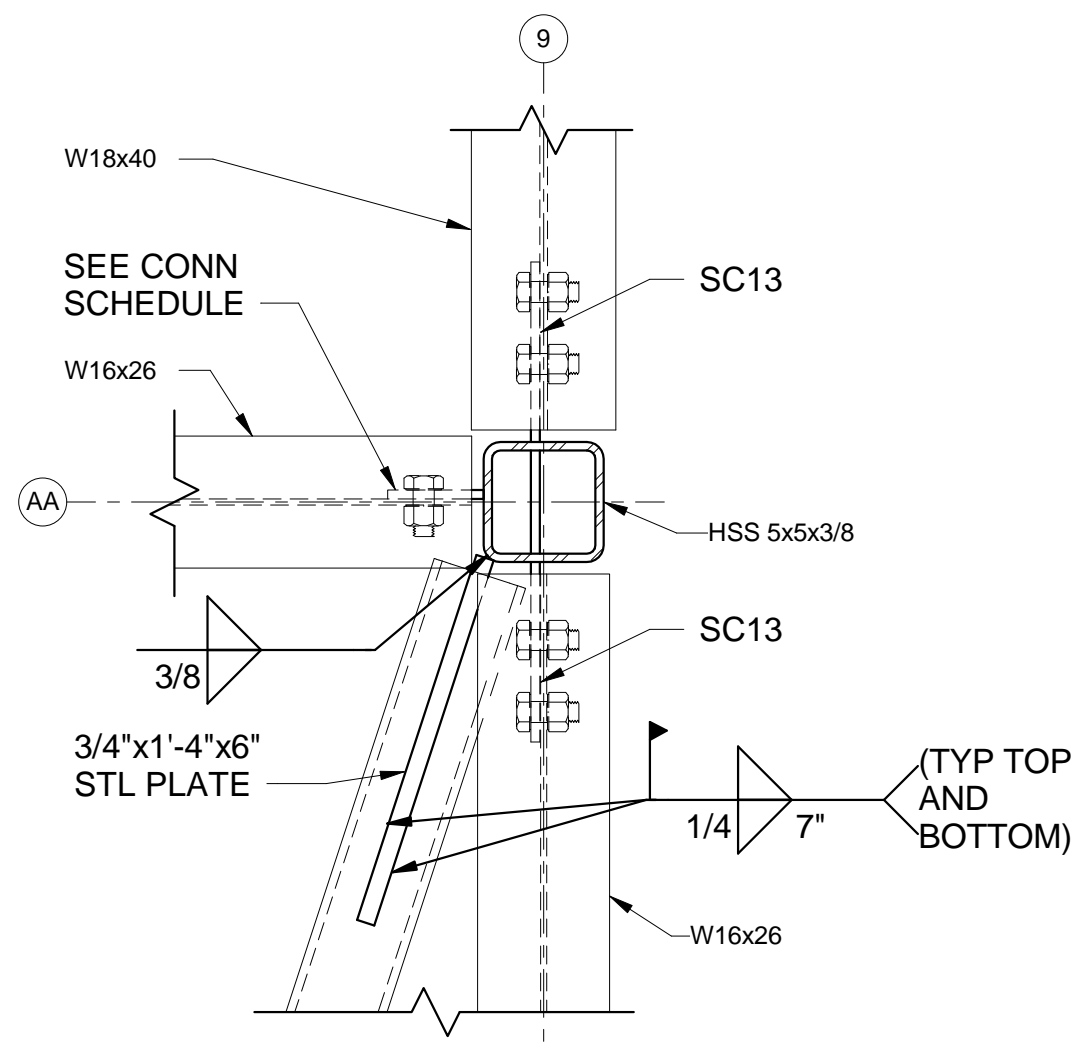
SF505 / SCALE: 1 1/2" = 1'-0"



3 HSS 6x6x5/16 TO W18x40/HSS 5x5x3/8 CONN DETAIL

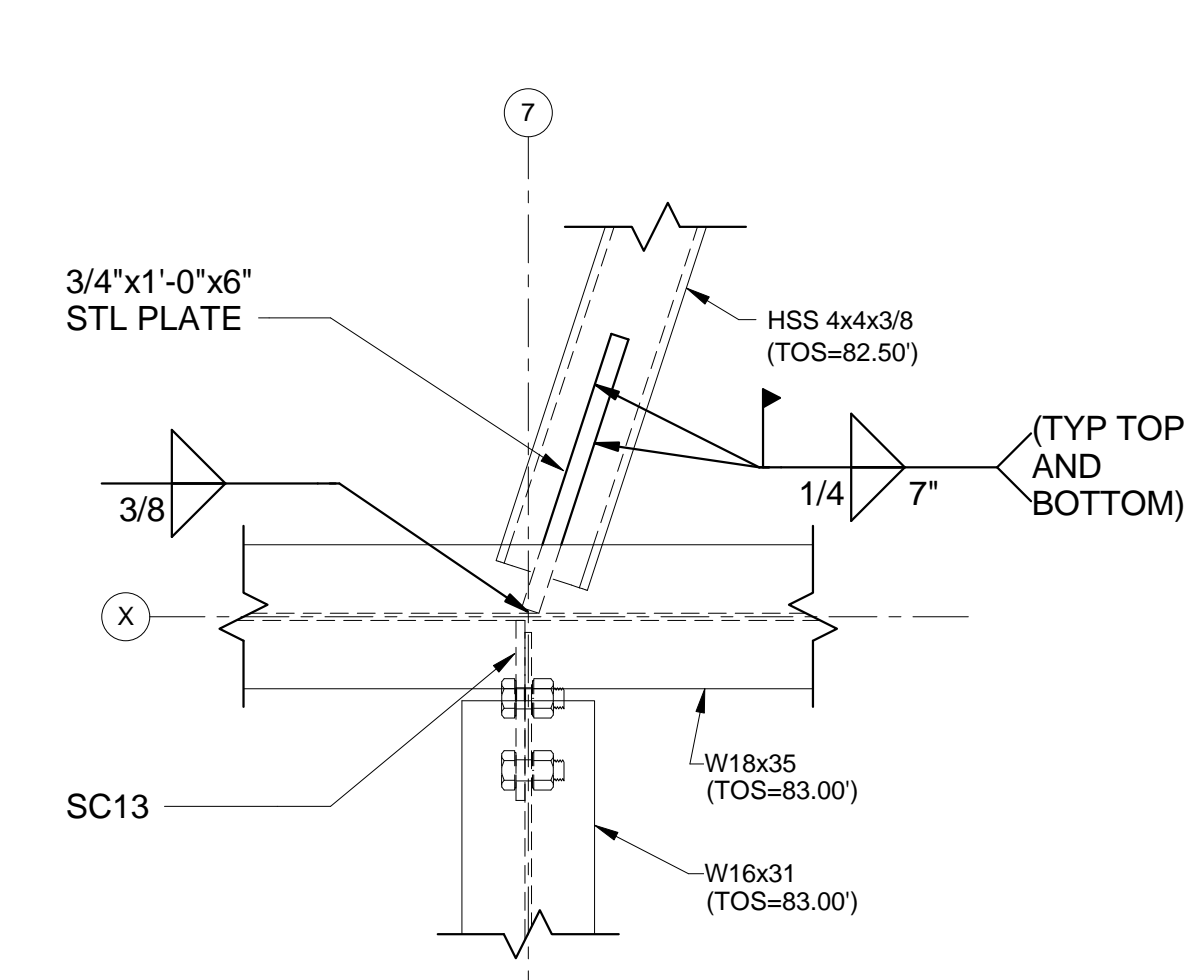
SF505 / SCALE: 1 1/2" = 1'-0"

NOTE:
SEE DETAIL 4/SF505 FOR CONNECTION
OF HSS 4x4x3/8 HORIZONTAL BRACE TO
HSS 5x5x3/8 COLUMN.



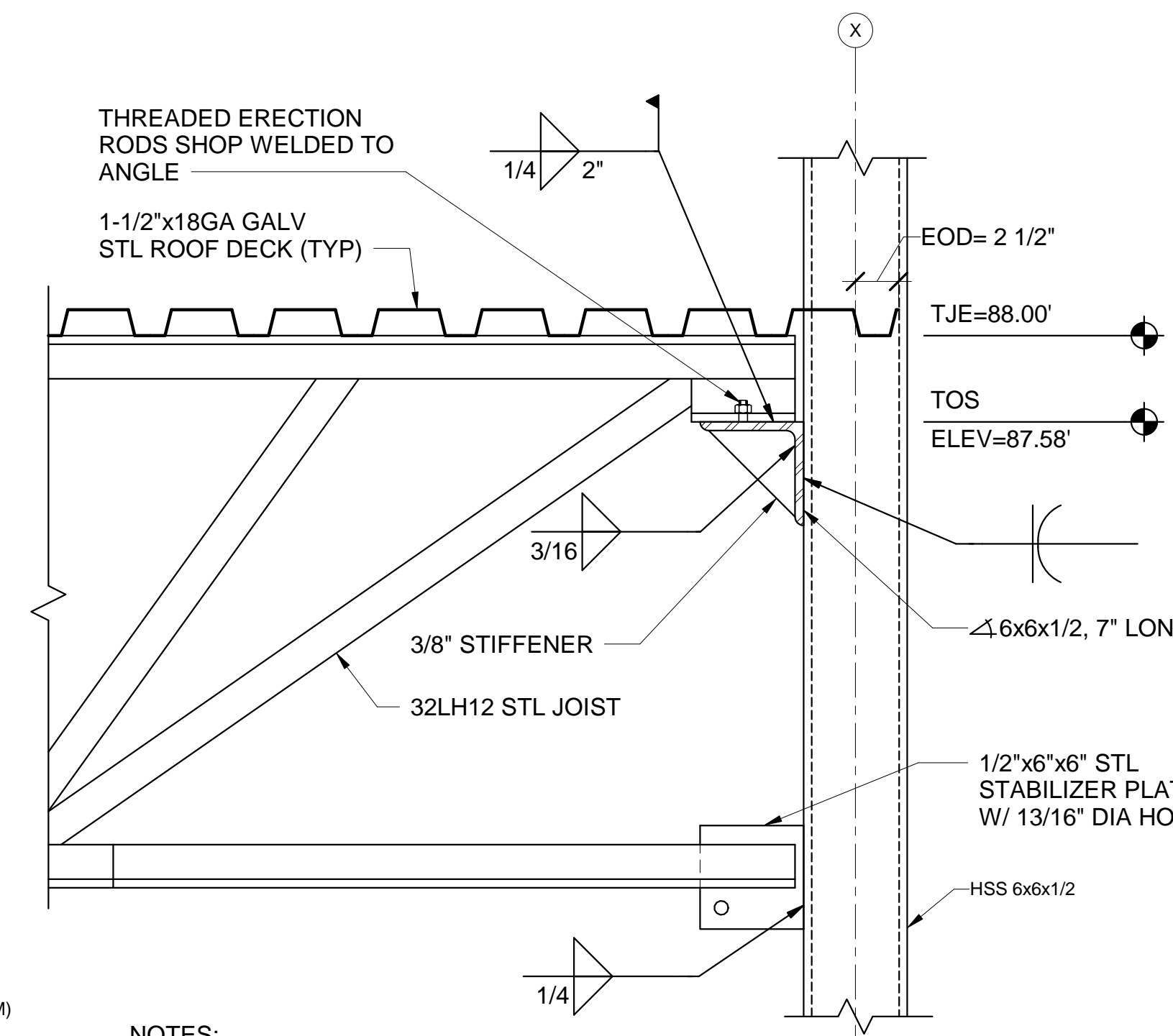
4 HSS 4x4x3/8 BRACE TO HSS 5x5x3/8 COL CONN DETAIL

SF505 / SCALE: 1 1/2" = 1'-0"



5 HSS 4x4x3/8 BRACE TO W18x35 CONN DETAIL

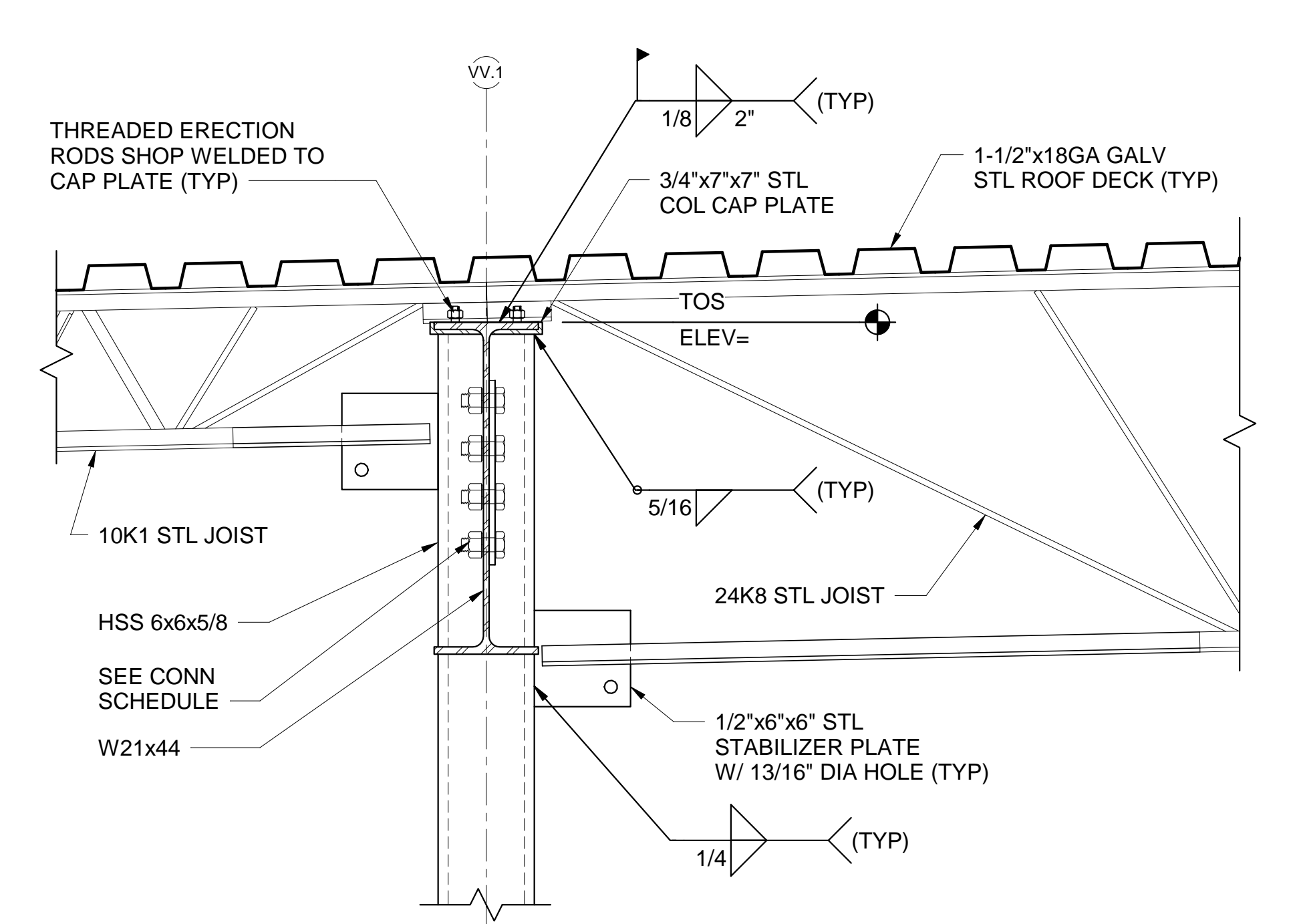
SF104 / SCALE: 1 1/2" = 1'-0"



- NOTES:
1. PROVIDE SIMILAR DETAIL AT HSS 7x7x1/2 COLUMN.
 2. DO NOT WELD JOIST TO STABILIZER PLATE.
 3. BEAMS FRAMING INTO COLUMN ON LINE X NOT SHOWN FOR CLARITY.
 4. COORDINATE EXACT SIZE AND GAGE OF THREADED ERECTION RODS WITH JOIST MANUFACTURER.

6 32LH12 STL JOIST TO HSS 6x6x1/2 CONN DETAIL

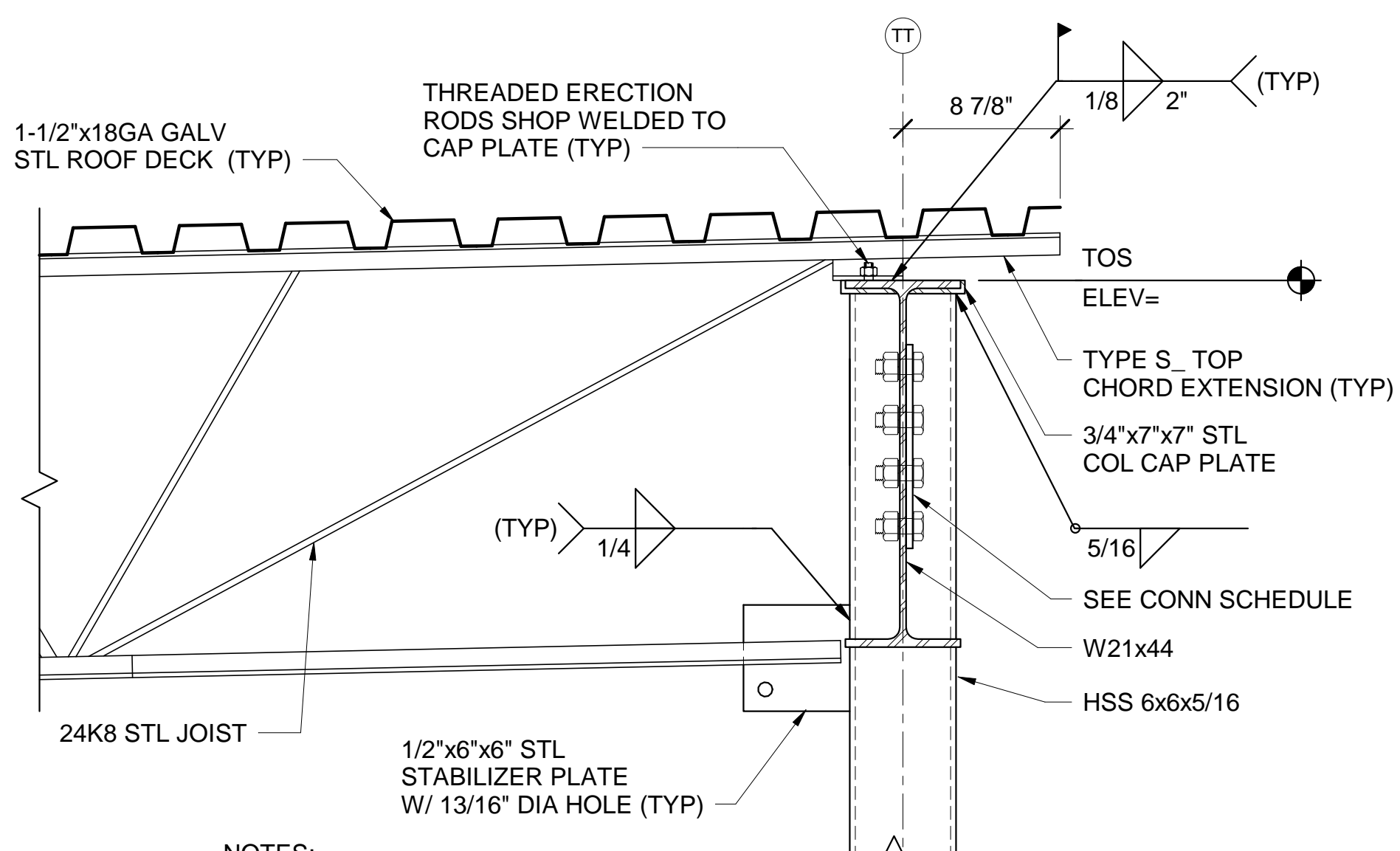
SF106 / SCALE: 1 1/2" = 1'-0"



- NOTES:
1. DO NOT WELD JOIST TO STABILIZER PLATE.
 2. COORDINATE EXACT SIZE AND GAGE OF THREADED ERECTION RODS WITH JOIST MANUFACTURER.
 3. AT HSS 5x5 COLUMNS, PROVIDE 3/4\"/>

7 10K1/24K8 STL JOIST TO HSS COL CONN DETAIL

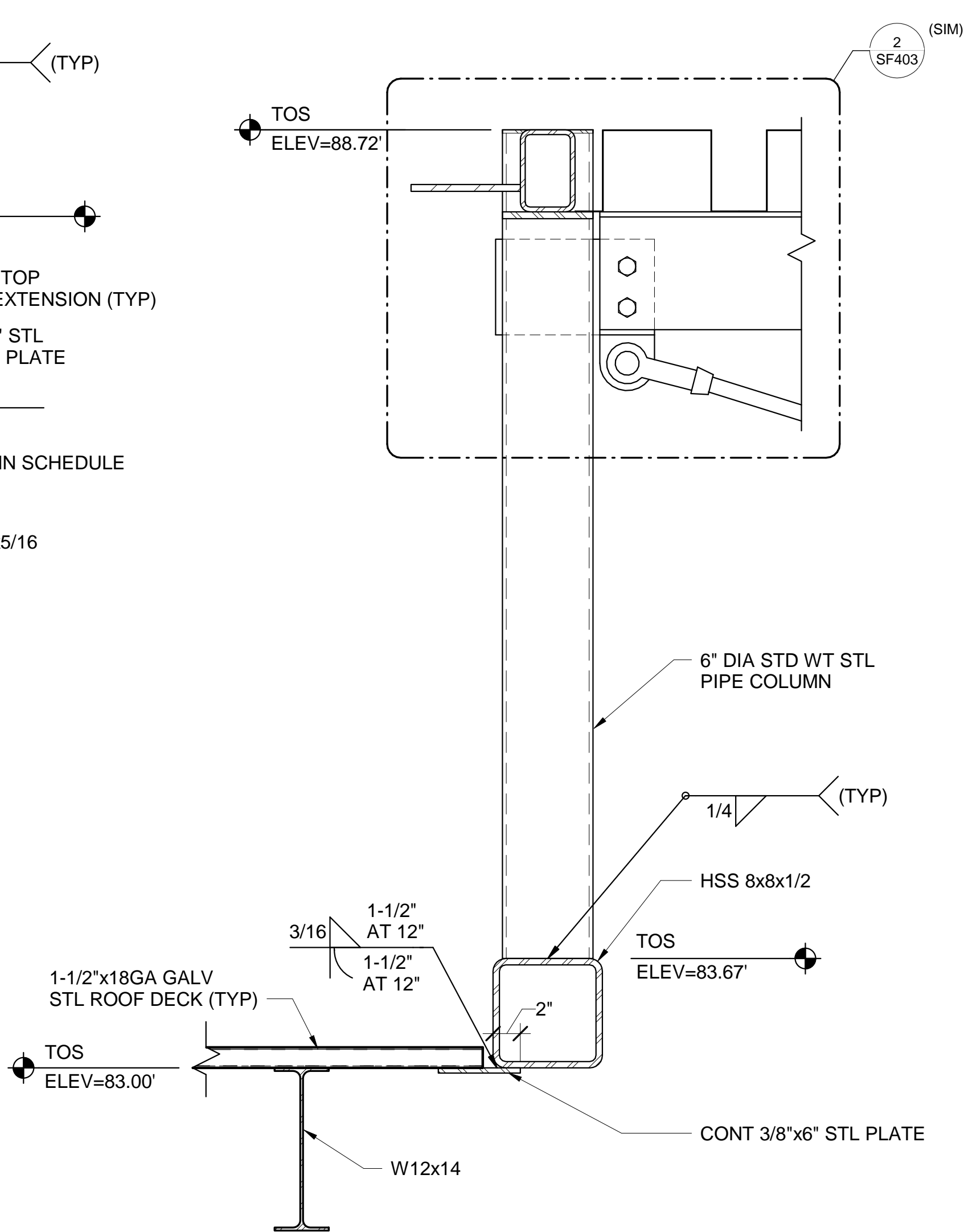
SF103, SF602 / SCALE: 1 1/2" = 1'-0"



- NOTES:
1. DO NOT WELD JOIST TO STABILIZER PLATE.
 2. COORDINATE EXACT SIZE AND GAGE OF THREADED ERECTION RODS WITH JOIST MANUFACTURER.
 3. AT HSS 7x7 COLUMNS, PROVIDE 3/4\"/>

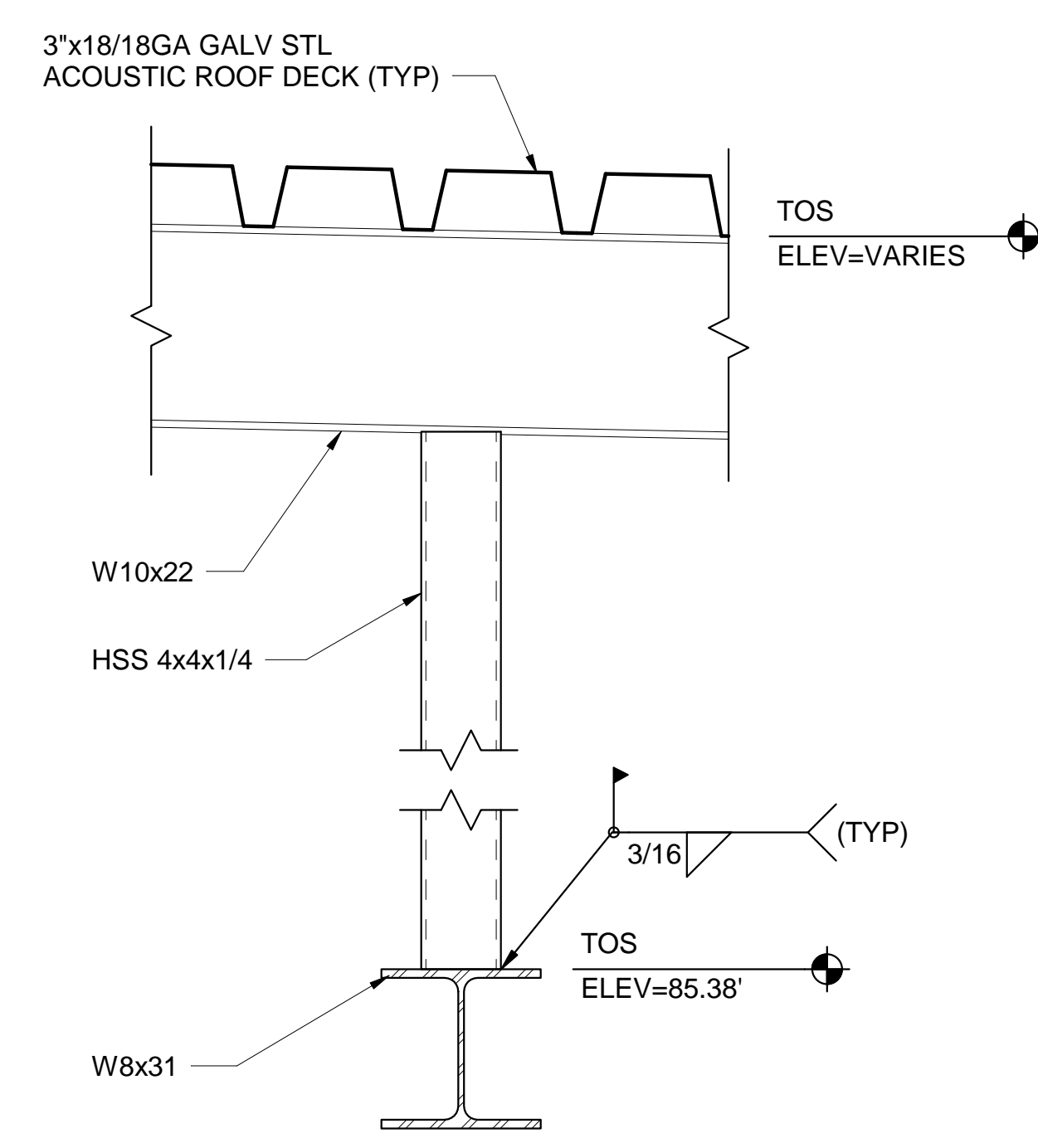
8 24K8 STL JOIST TO HSS COL CONN DETAIL

SF103, SF602 / SCALE: 1 1/2" = 1'-0"



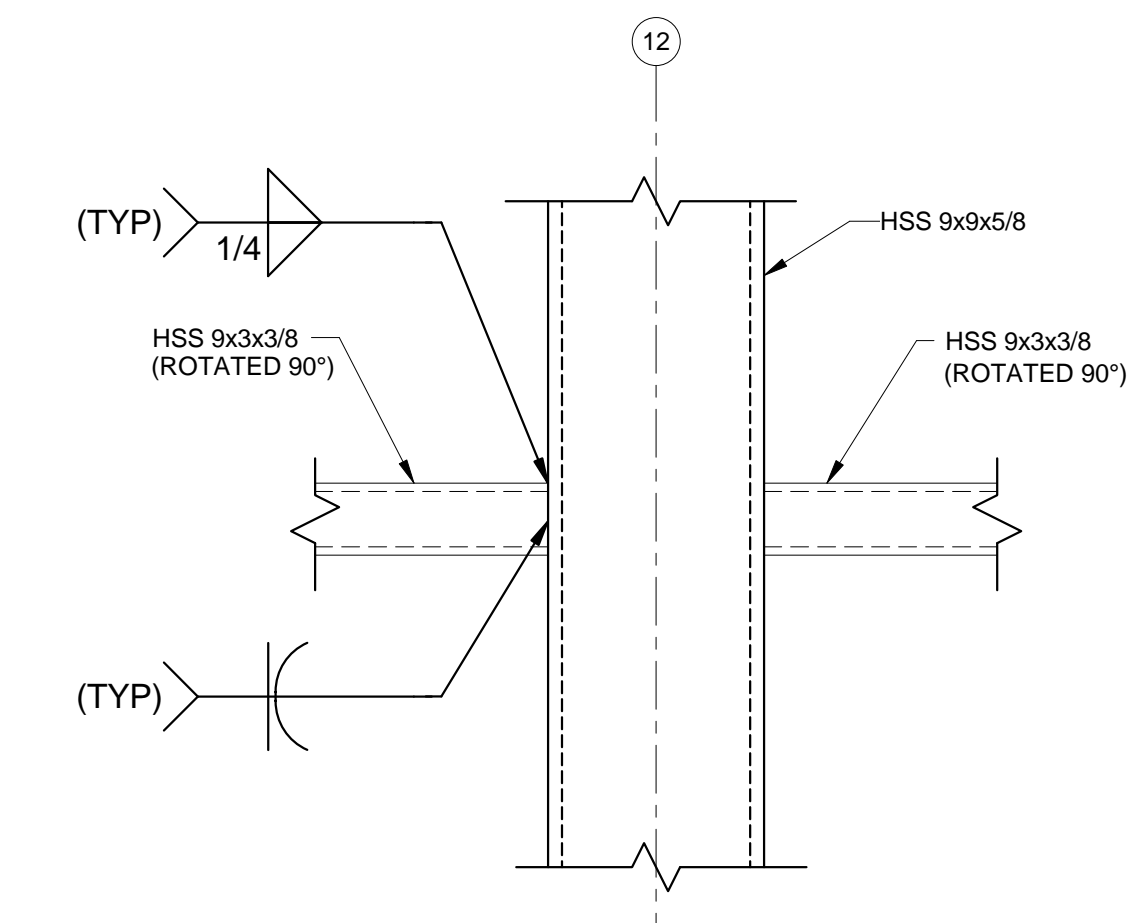
9 6" DIA STD WT PIPE COL TO HSS 8x8x1/2 CONN DETAIL

SF104, SF105 / SCALE: 1 1/2" = 1'-0"



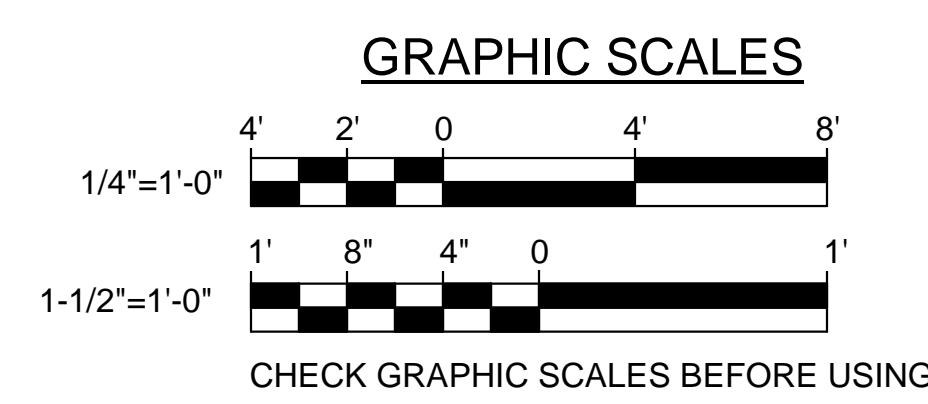
10 HSS 4x4x1/4 HANGER CONN DETAIL

SF104, SF105 / SCALE: 1 1/2" = 1'-0"



11 HSS 9x3x3/8 TO HSS 9x9x5/8 CONN DETAIL

SF104, SF201 / SCALE: 1 1/2" = 1'-0"



CHECK GRAPHIC SCALES BEFORE USING

STATE OF MAINE PUBLIC SCHOOL PROJECT			TITLE: PORTLAND PUBLIC SCHOOLS NEW FRED P. HALL ELEMENTARY SCHOOL LOCATION: 23 ORONO ROAD, PORTLAND, ME TITLE THIS DWG.: STRUCTURAL DETAILS 5
DRAWN BY: MJC CHECK BY: DNM	DATE: 03/17/17		