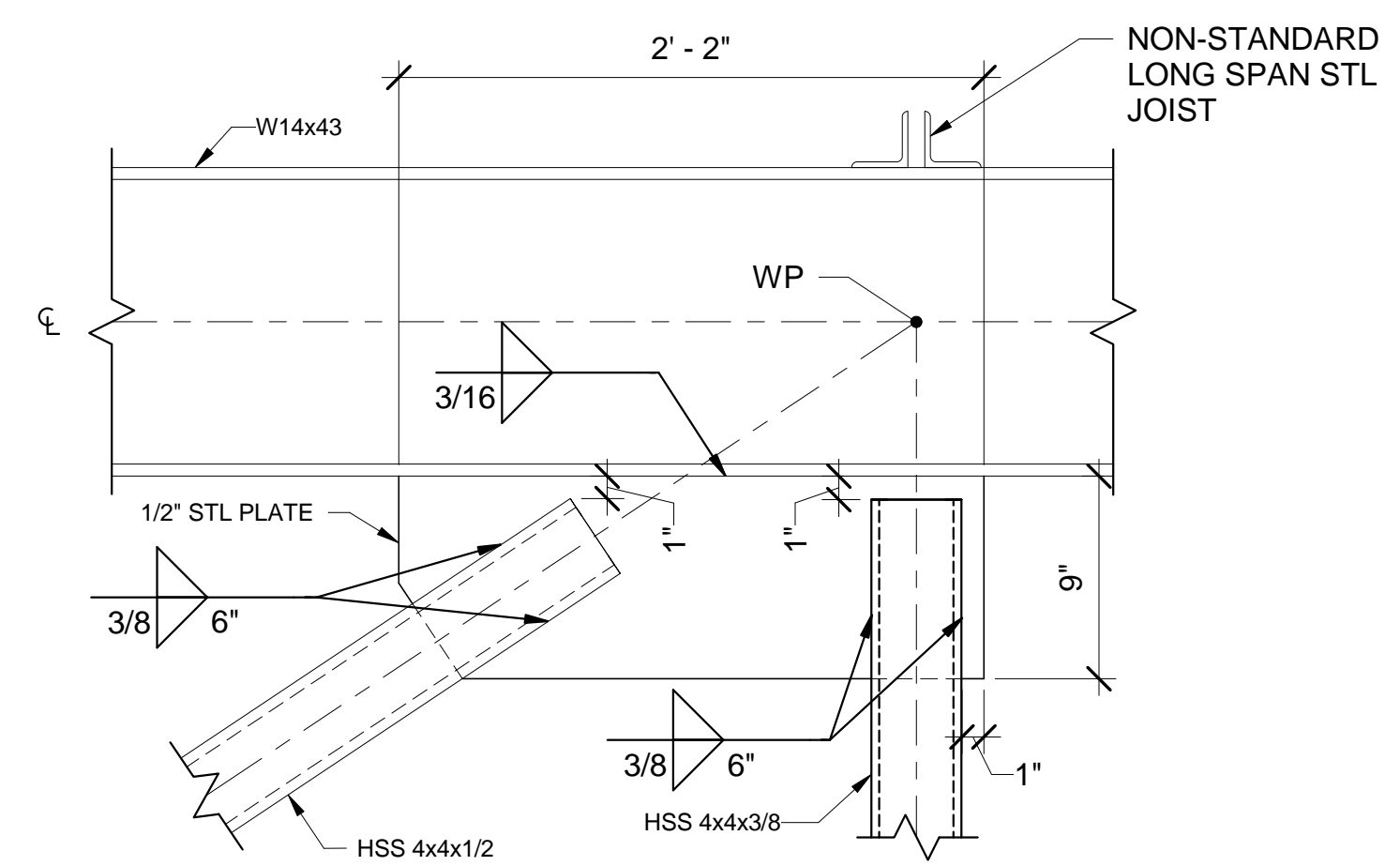
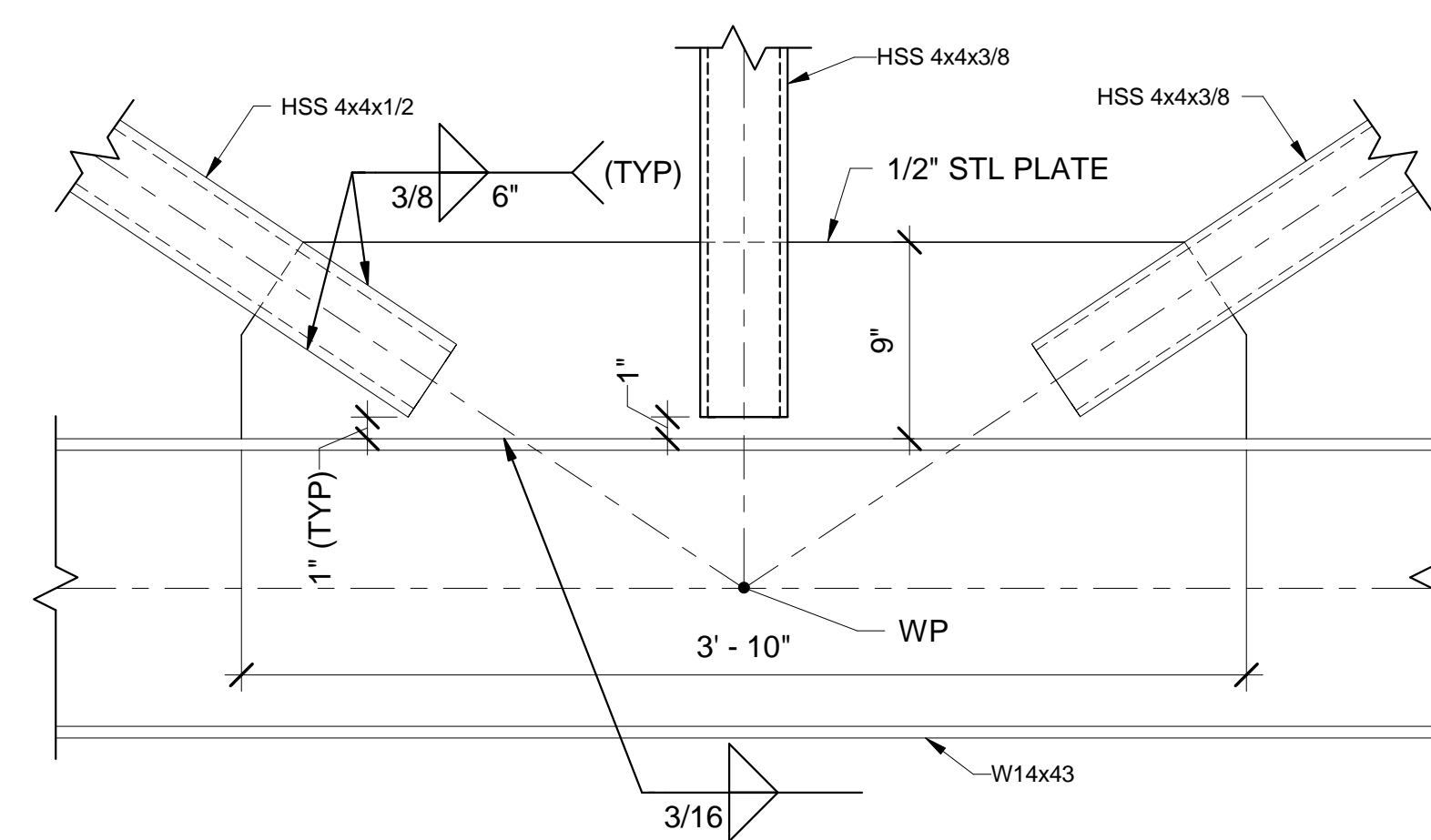


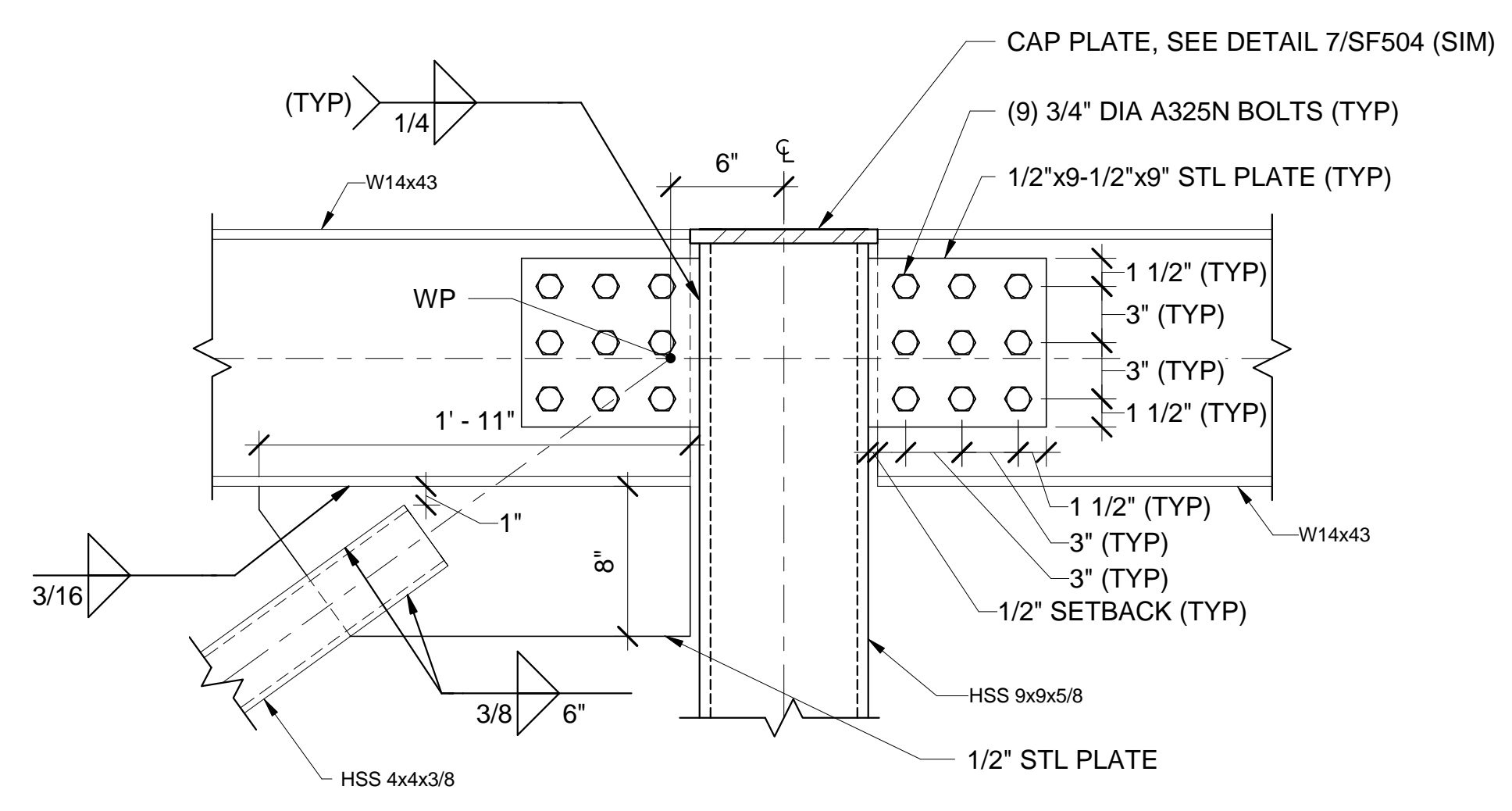
**1 VIERENDEEL TRUSS DETAIL AT GYM**  
SF504 SCALE: 3/8" = 1'-0"



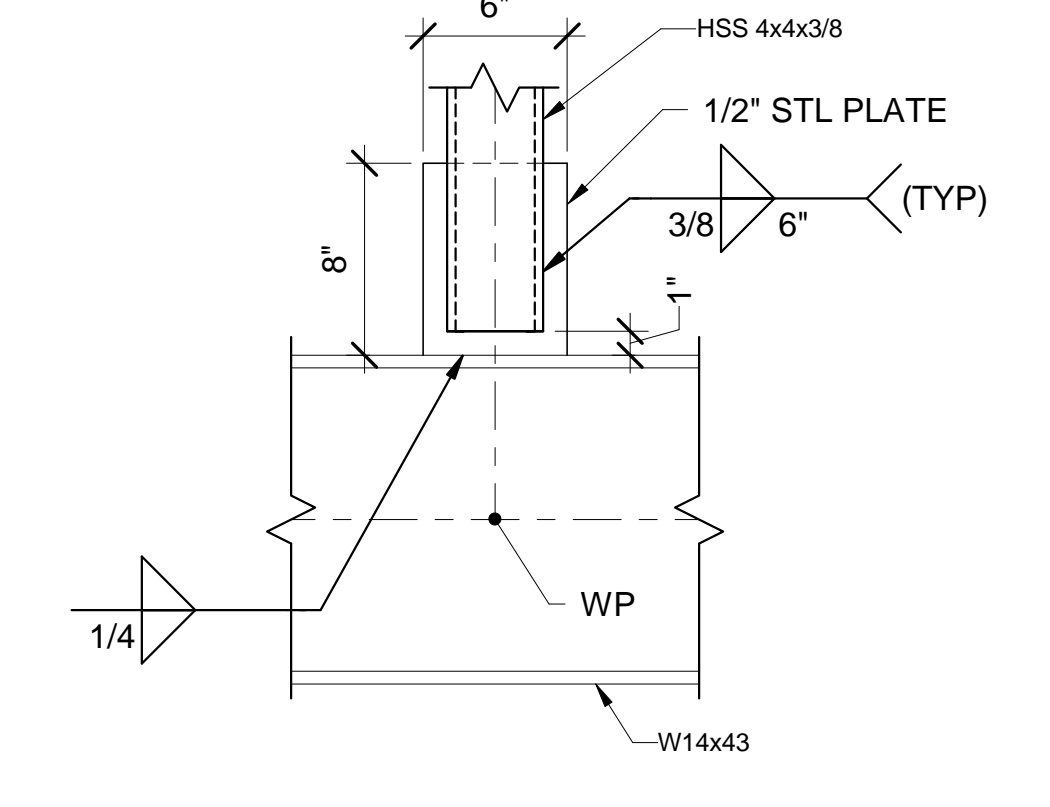
**2 HSS 4x4x1/2/HSS 4x4x3/8 TO W14x43 CONN DETAIL**  
SF504 SCALE: 1 1/2" = 1'-0"



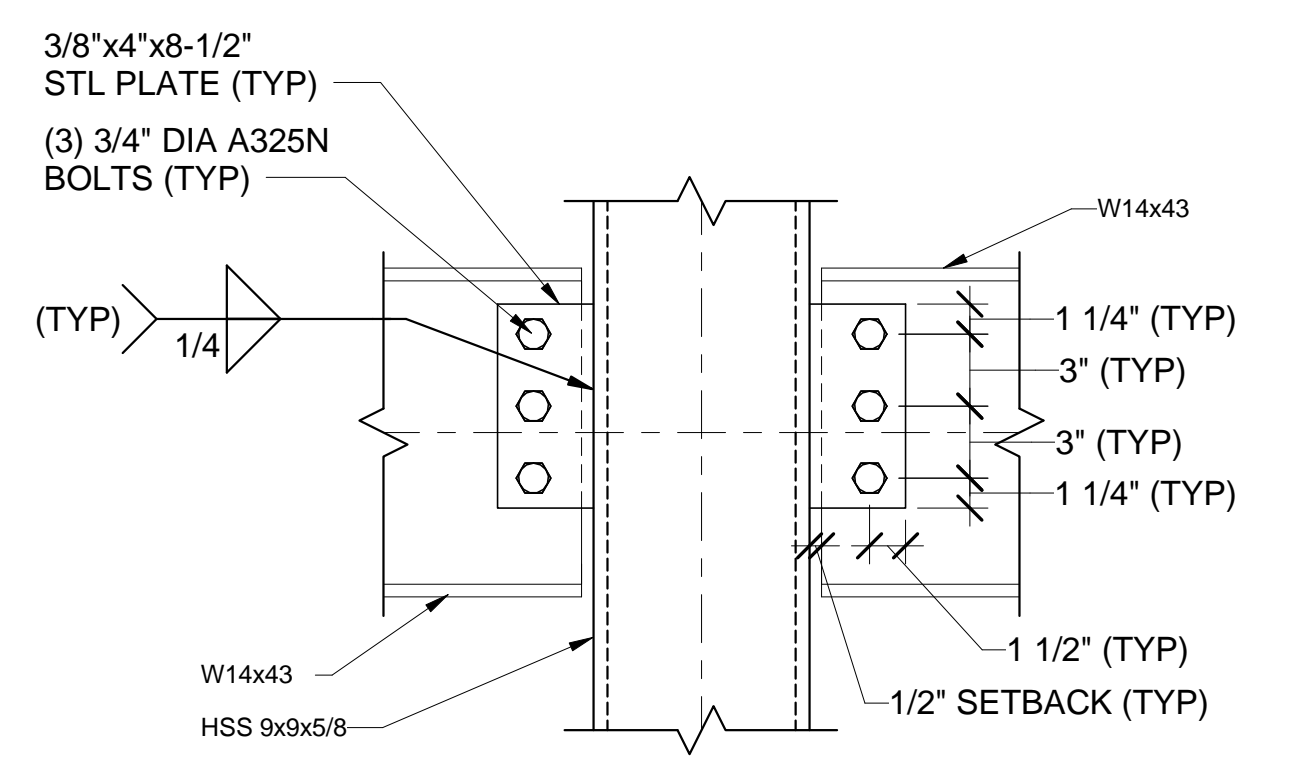
**3 HSS 4x4x3/8/HSS 4x4x1/2 TO W14x43 CONN DETAIL**  
SF504 SCALE: 1 1/2" = 1'-0"



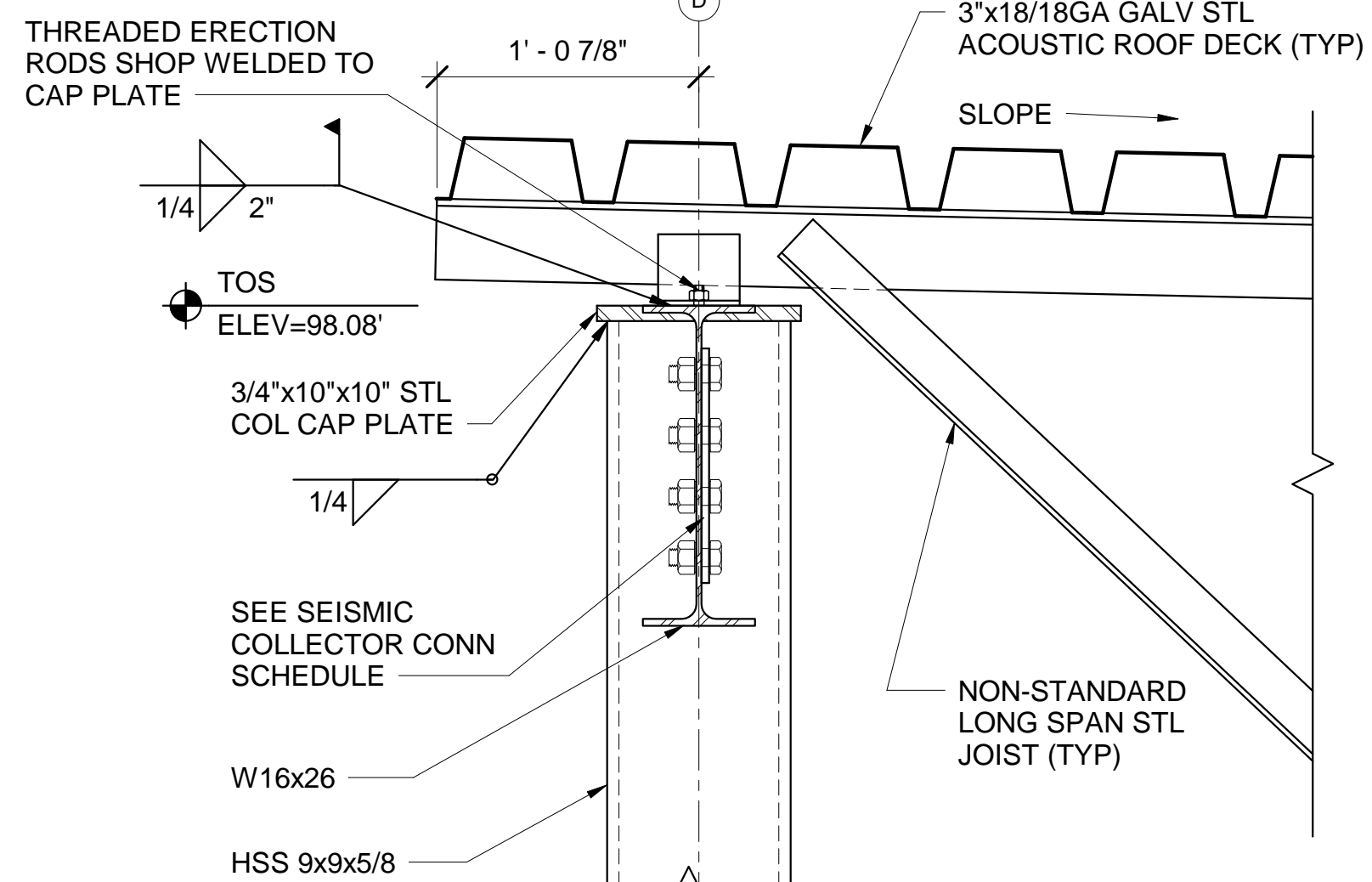
**4 W14x43 TO HSS 9x9x5/8 CONN DETAIL**  
SF504 SCALE: 1 1/2" = 1'-0"



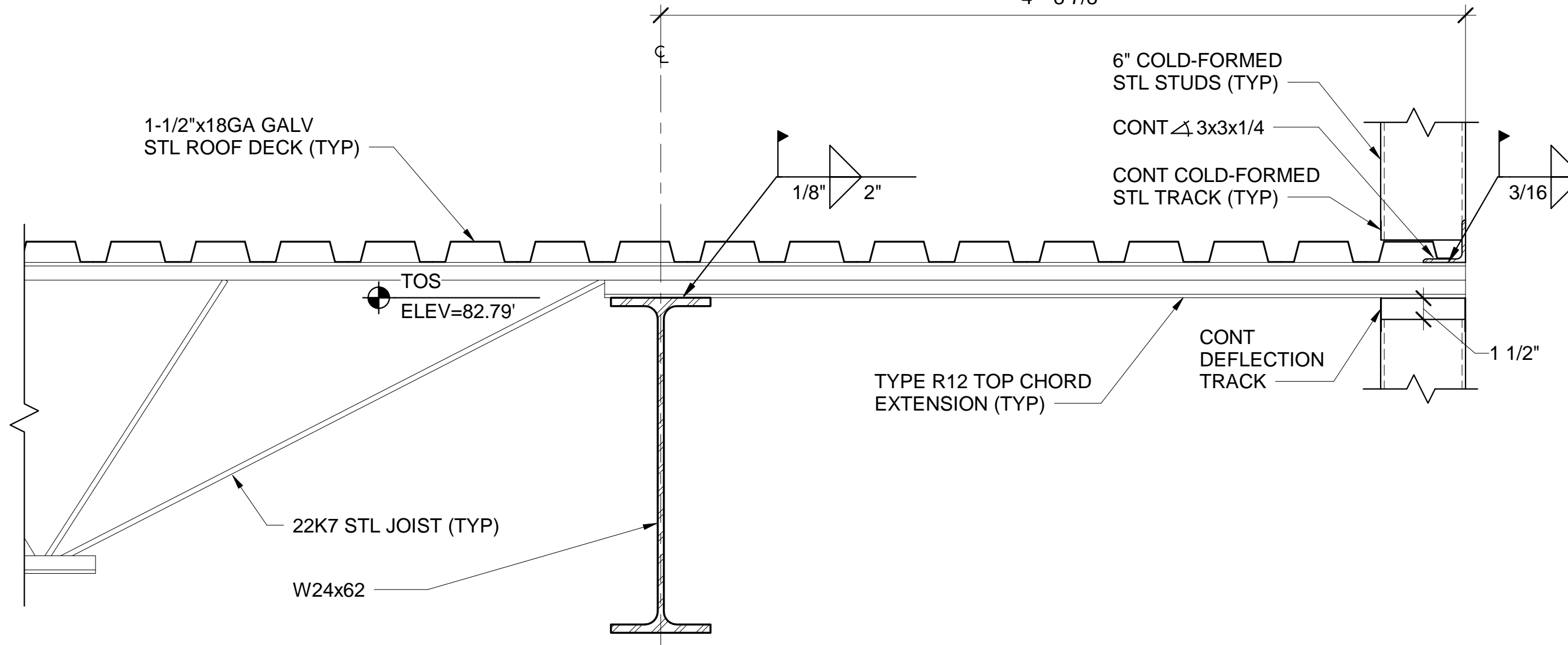
**5 HSS 4x4x3/8 TO W14x43 CONN DETAIL**  
SF504 SCALE: 1 1/2" = 1'-0"



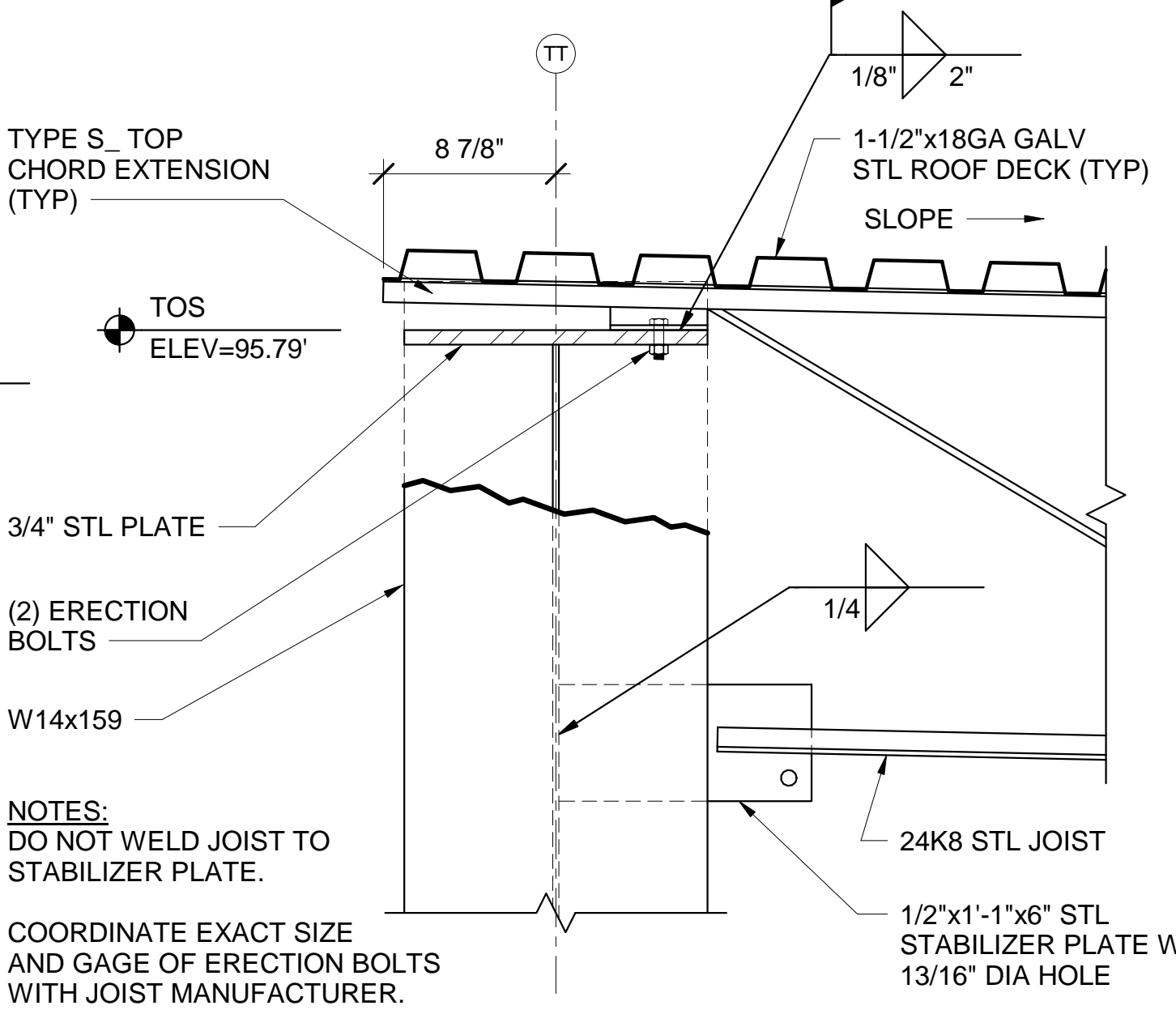
**6 W14x43 TO HSS 9x9x5/8 CONN DETAIL**  
SF504 SCALE: 1 1/2" = 1'-0"



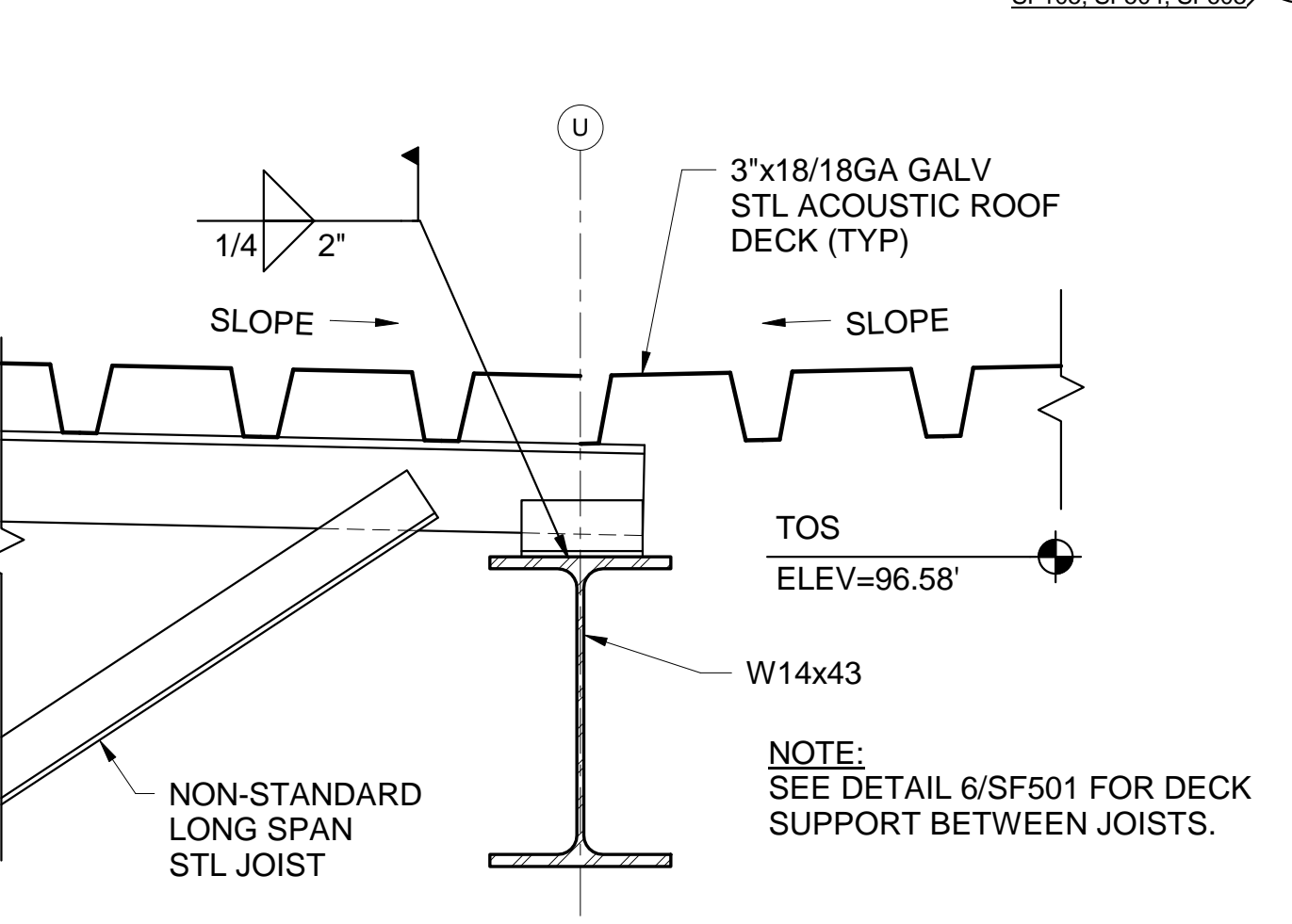
**7 NON-STANDARD LONG SPAN STL JOIST TO HSS COL CONN DETAIL**  
SF504 SCALE: 1 1/2" = 1'-0"



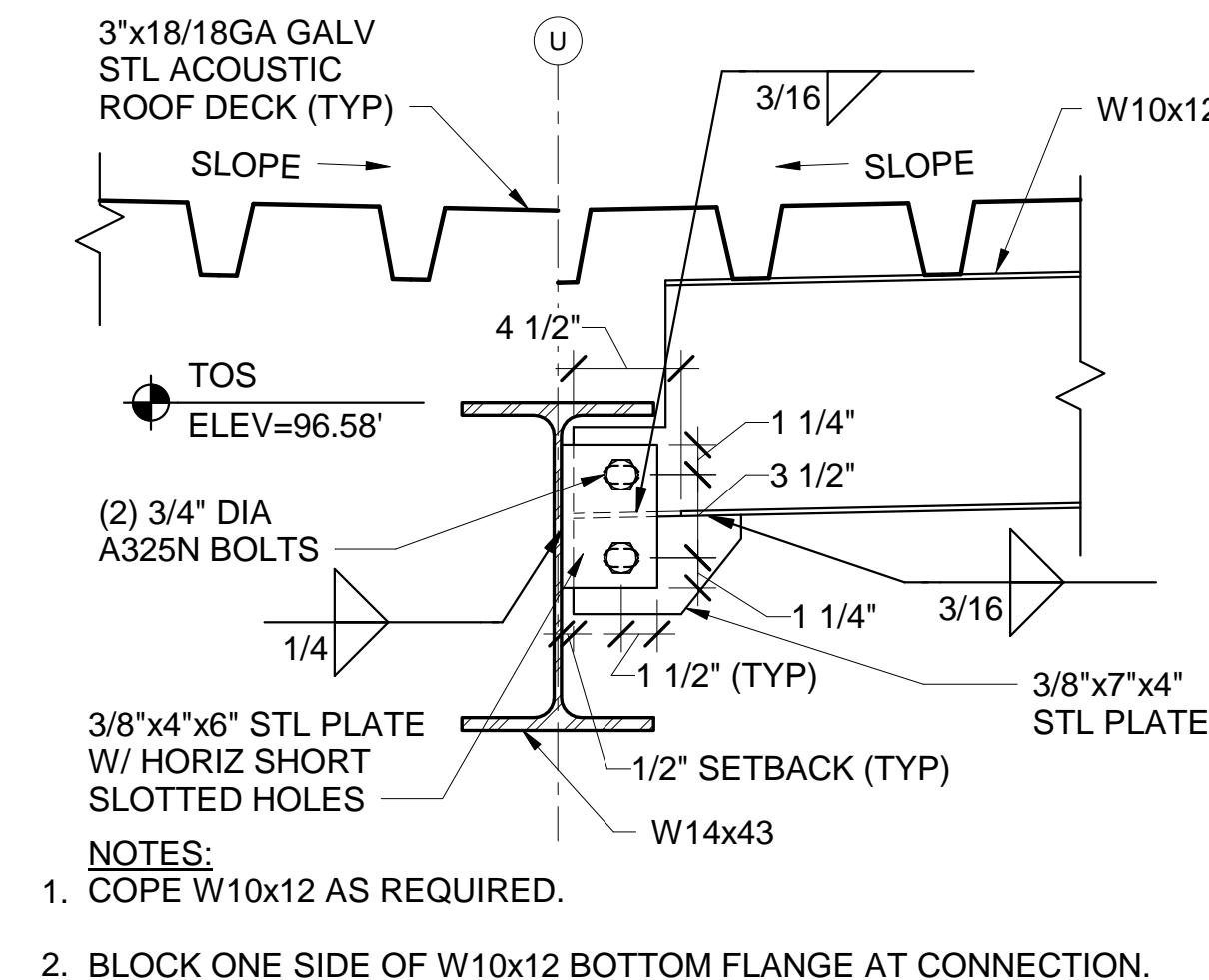
**8 TYP 22K7 STL JOIST TOP CHORD EXTENSION DETAIL**  
SF504 SCALE: 1 1/2" = 1'-0"



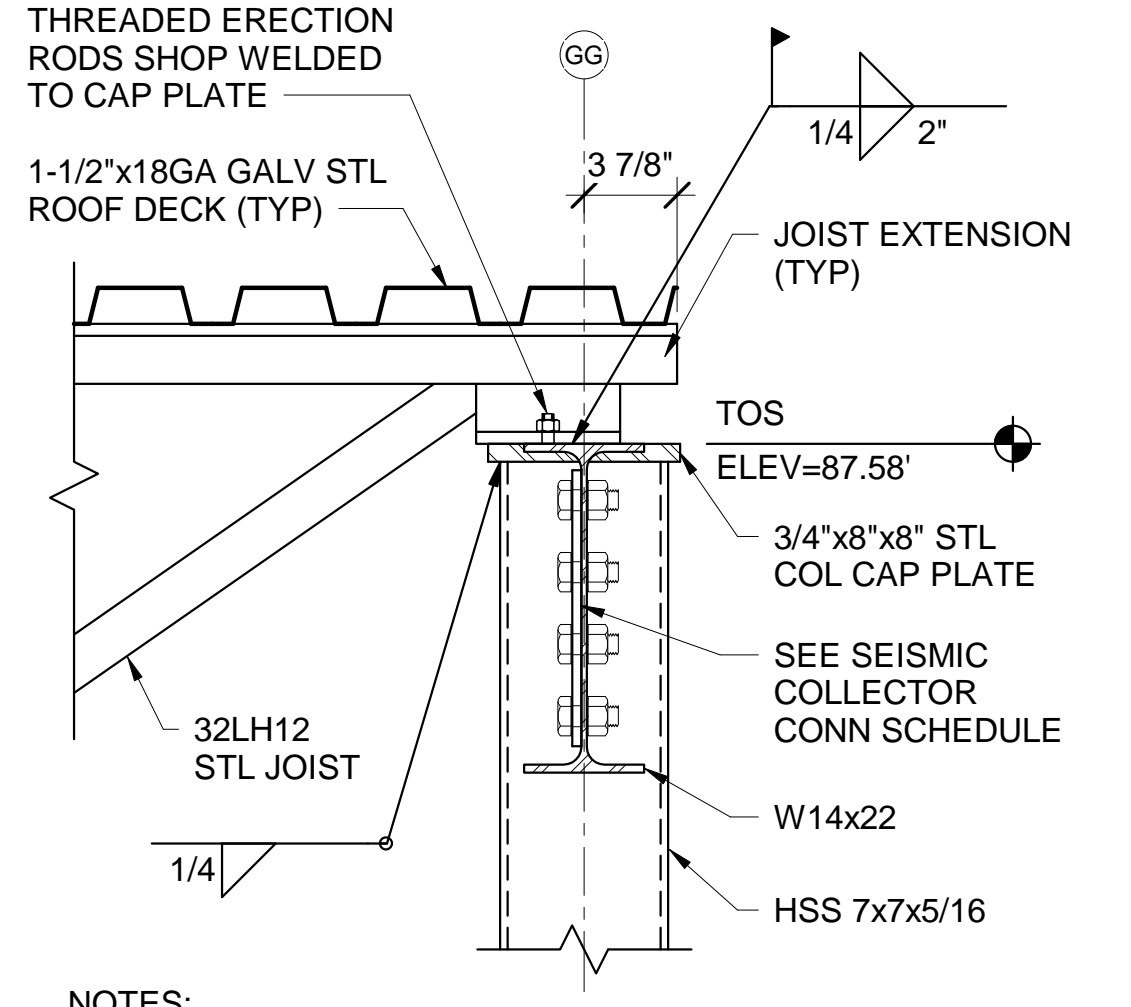
**9 TYP 24K8 STL JOIST TO W14x159 CONN DETAIL**  
SF504 SCALE: 1 1/2" = 1'-0"



**10 TYP NON-STANDARD LONG SPAN STL JOIST TO W14x43 CONN DETAIL**  
SF504 SCALE: 1 1/2" = 1'-0"



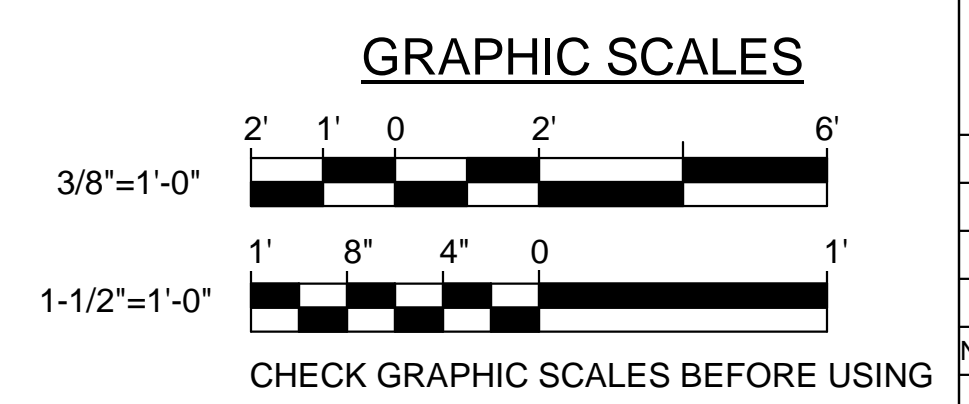
**11 TYP W10x12 TO W14x43 CONN DETAIL**  
SF504 SCALE: 1 1/2" = 1'-0"



**12 TYP 32LH12 STL JOIST TO HSS 7x7x5/16 CONN DETAIL**  
SF504 SCALE: 1 1/2" = 1'-0"

- NOTES:
1. PROVIDE A 1/2"x6"x6" STEEL STABILIZER PLATE WITH A 13/16" DIAMETER HOLE AT THE BOTTOM CHORD OF JOIST. WELD PLATE TO COLUMN WITH A 1/4" FILLET WELD, BOTH SIDES.
  2. DO NOT WELD JOIST TO STABILIZER PLATE.
  3. COORDINATE EXACT SIZE AND GAGE OF THREADED ERECTION RODS WITH JOIST MANUFACTURER.
  4. SEE DETAIL 6/SF501 FOR DECK SUPPORT BETWEEN JOISTS.

- NOTES:
1. PROVIDE 1/2"x6"x6" STEEL STABILIZER PLATE WITH A 13/16" DIAMETER HOLE AT THE BOTTOM CHORD OF JOIST. WELD PLATE TO COLUMN WITH A 1/4" FILLET WELD, BOTH SIDES.
  2. DO NOT WELD JOIST TO STABILIZER PLATE.
  3. COORDINATE EXACT SIZE AND GAGE OF THREADED ERECTION RODS WITH JOIST MANUFACTURER.
  4. AT HSS 5x5 COLUMNS, PROVIDE 3/4"x6"x6" STEEL CAP PLATE.



STATE OF MAINE PUBLIC SCHOOL PROJECT		DRAWN BY: MJC	
TITLE: PORTLAND PUBLIC SCHOOLS NEW FRED P. HALL ELEMENTARY SCHOOL		CHECK BY: DNM	
LOCATION: 23 ORONO ROAD, PORTLAND, ME		DATE: 03/17/17	
TITLE THIS DWG: STRUCTURAL DETAILS 4		DRAWING NO: SF504	
OAK POINT ASSOCIATES		SHEET NO: 111 OF 312	