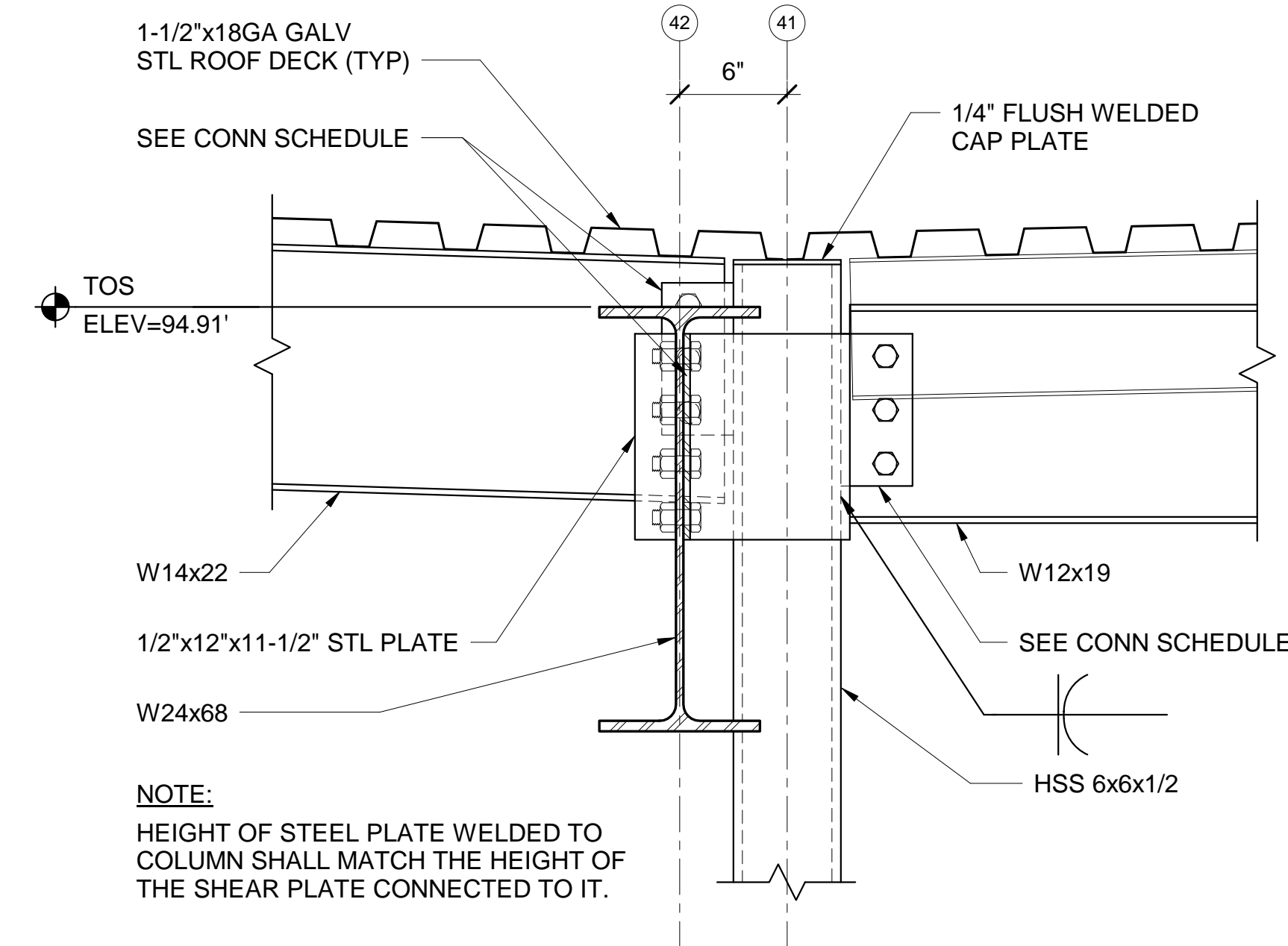


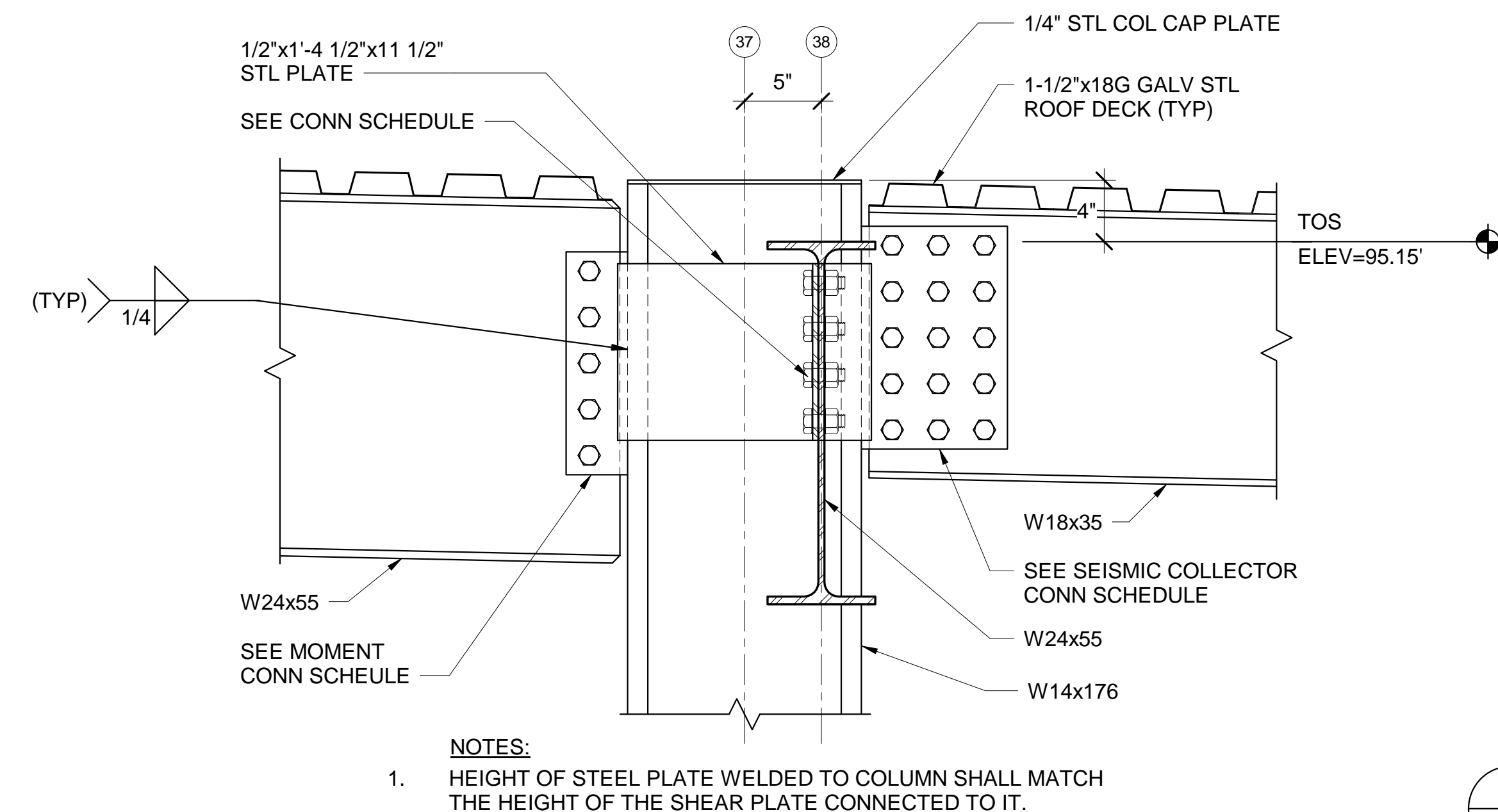
1 W16x31 TO W14x176 OFFSET CONN DETAIL AT ROOF

SF503 SCALE: 1 1/2" = 1'-0"



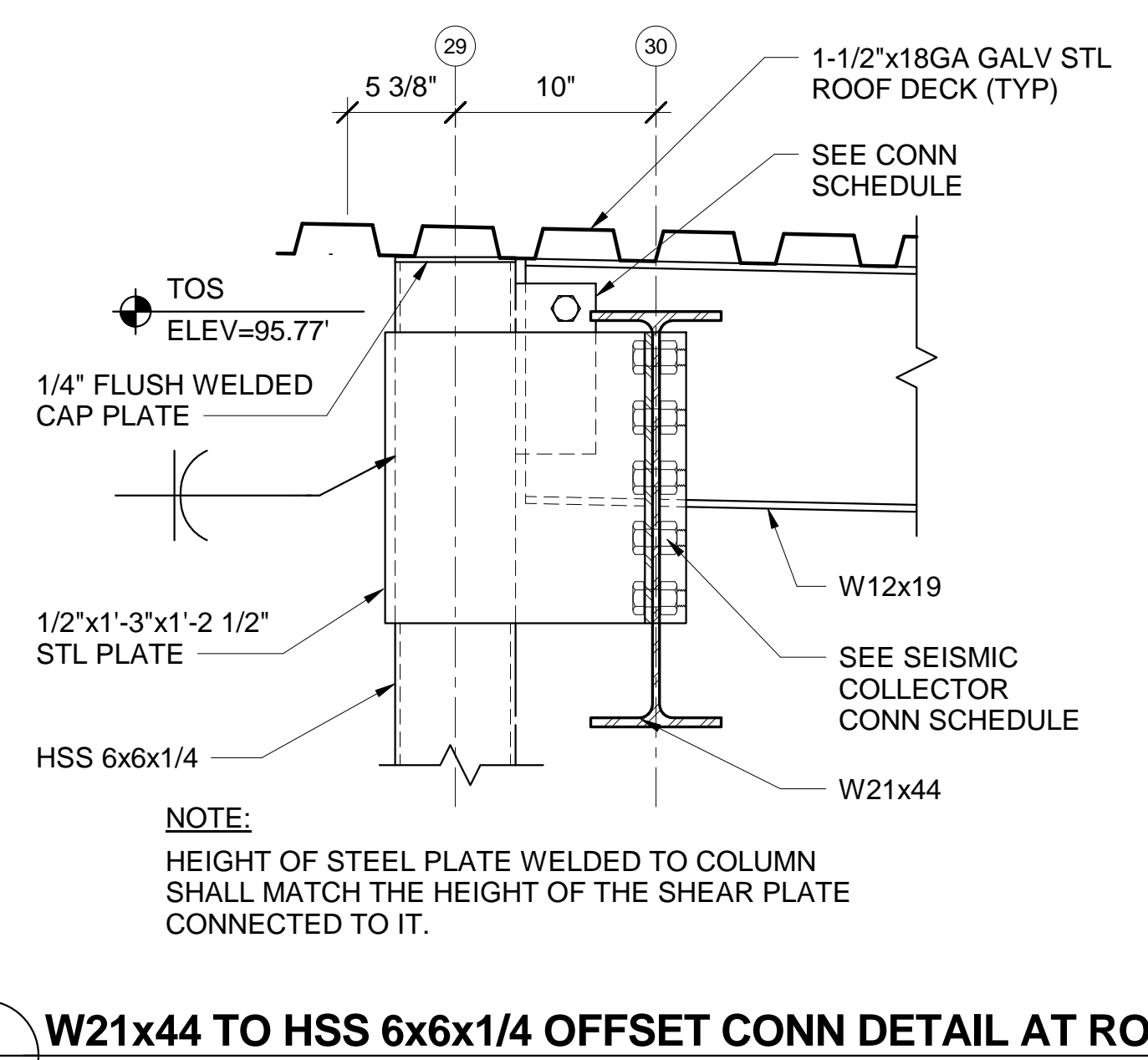
2 W24x68 TO HSS 6x6x1/2 OFFSET CONN DETAIL AT ROOF

SF503 SCALE: 1 1/2" = 1'-0"



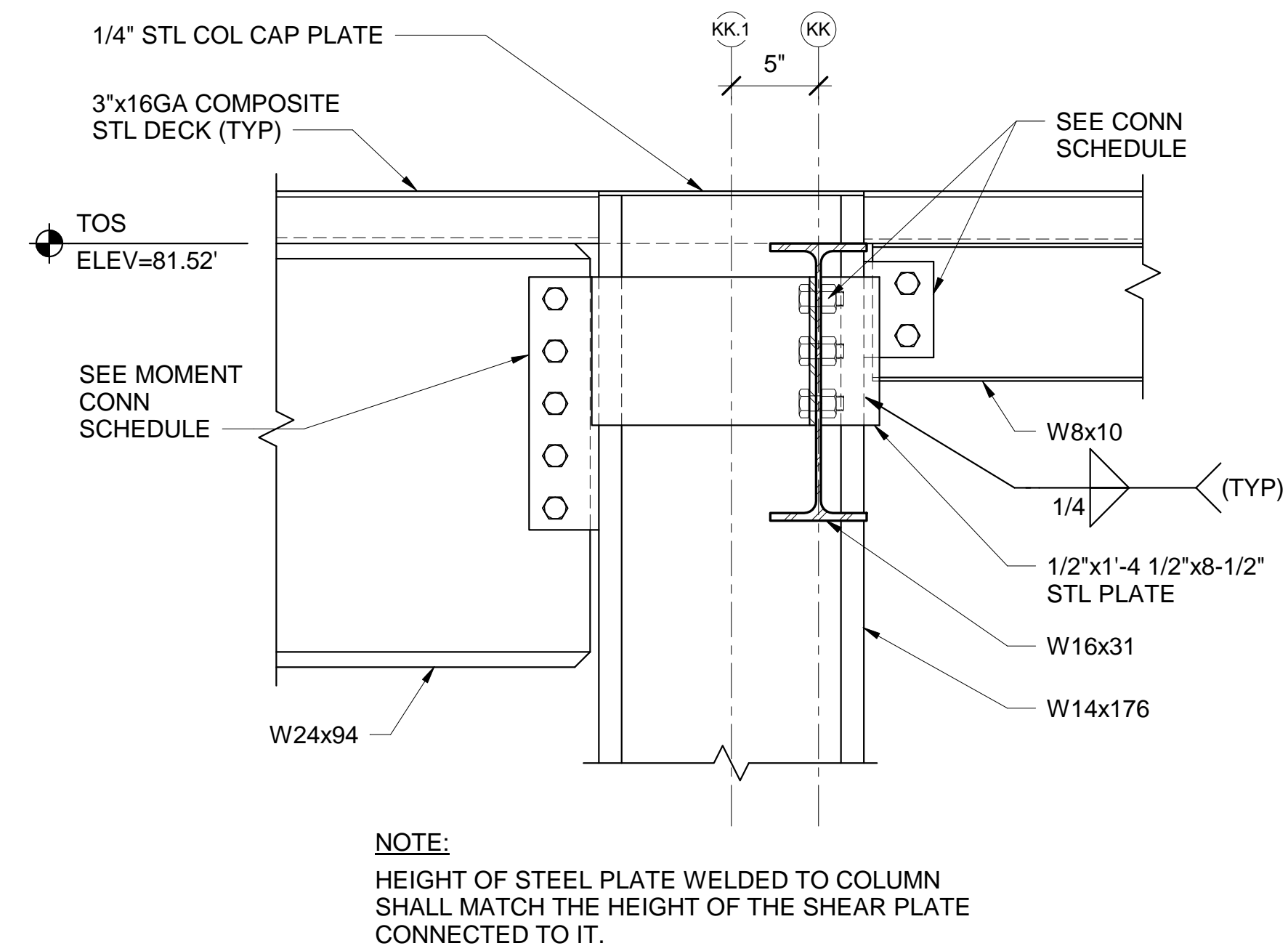
3 W24x55 TO W14x176 OFFSET CONN DETAIL AT ROOF

SF503 SCALE: 1 1/2" = 1'-0"



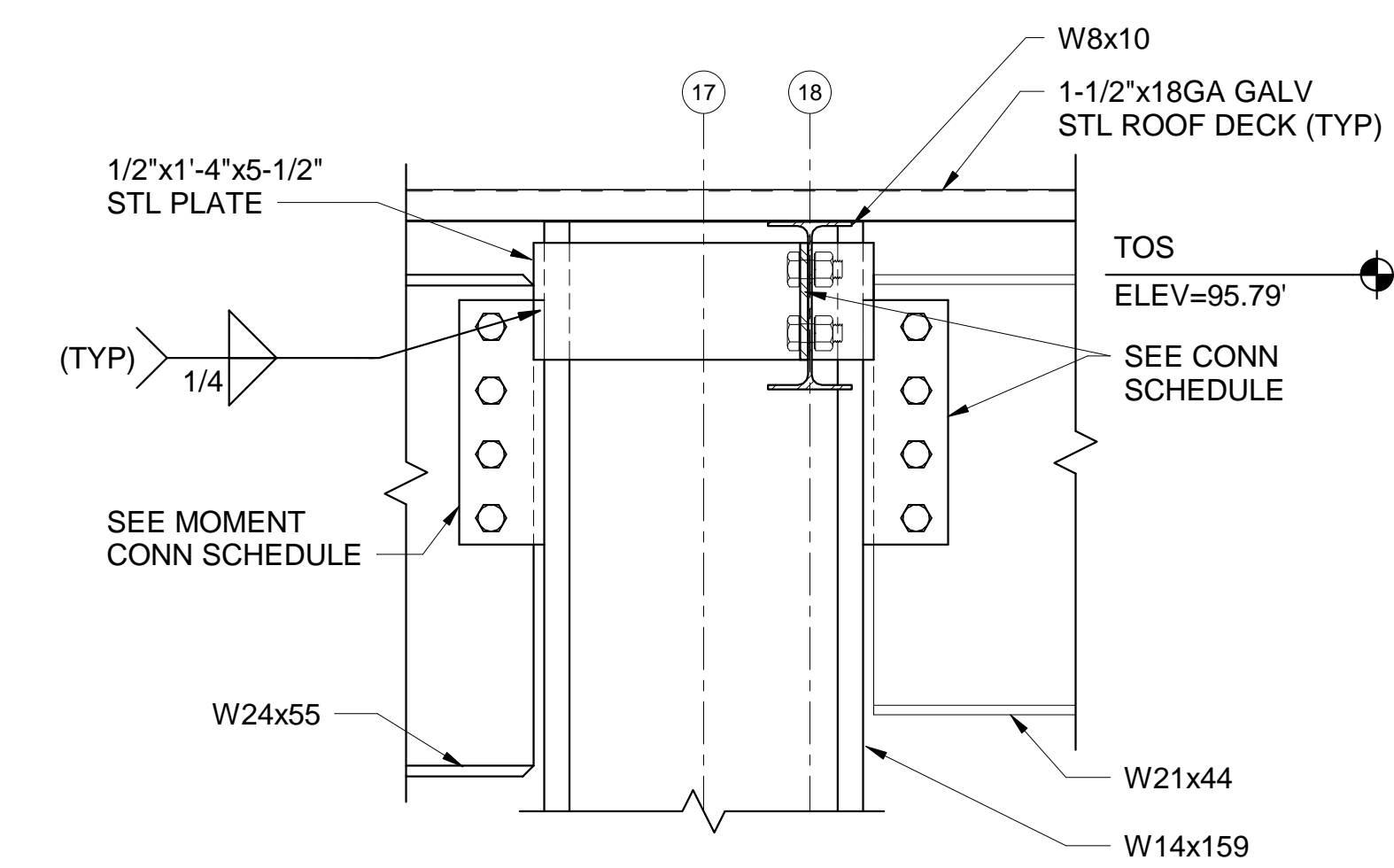
4 W21x44 TO HSS 6x6x1/4 OFFSET CONN DETAIL AT ROOF

SF503 SCALE: 1 1/2" = 1'-0"



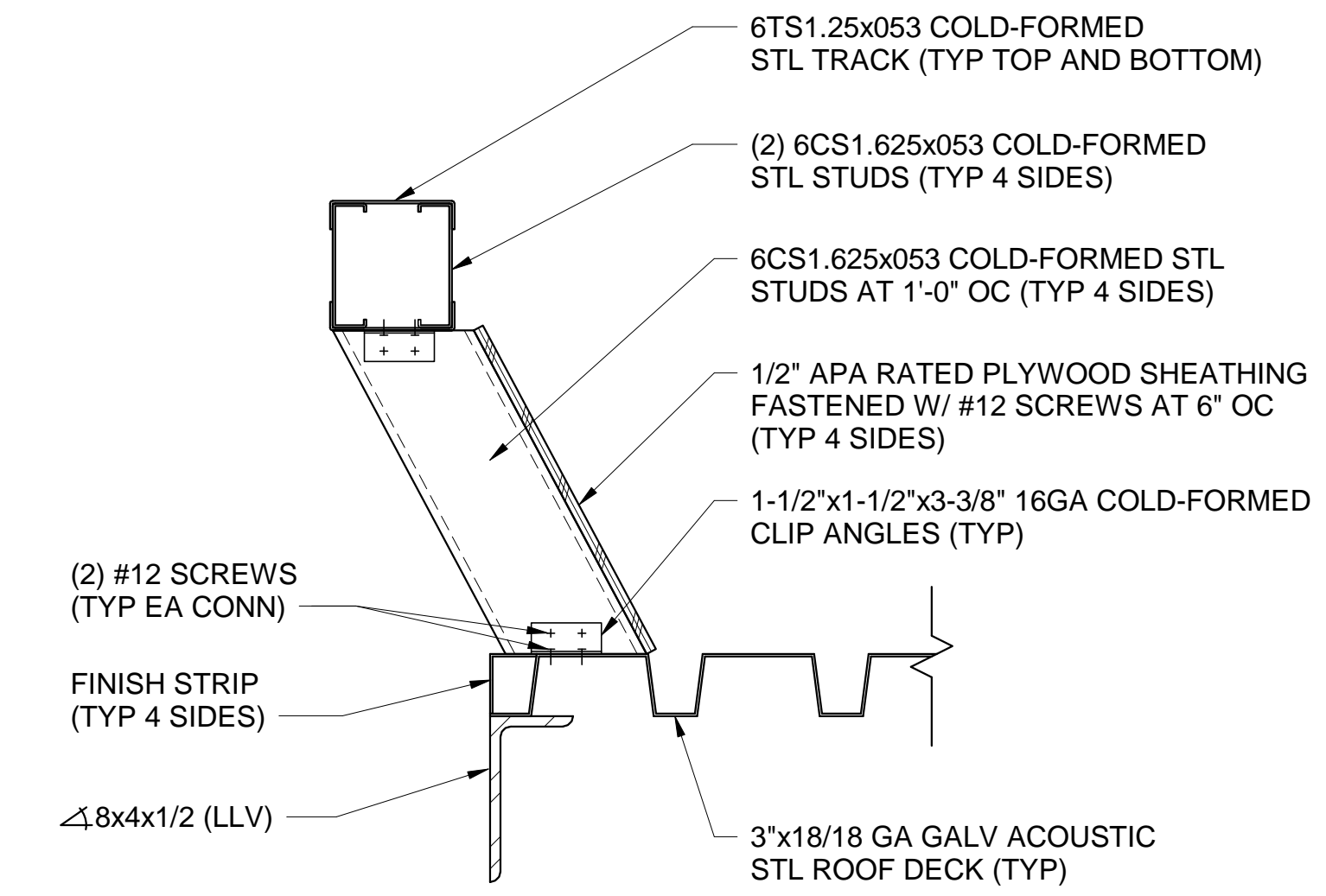
5 W16x31 TO W14x176 OFFSET CONN DETAIL AT LOW ROOF

SF503 SCALE: 1 1/2" = 1'-0"



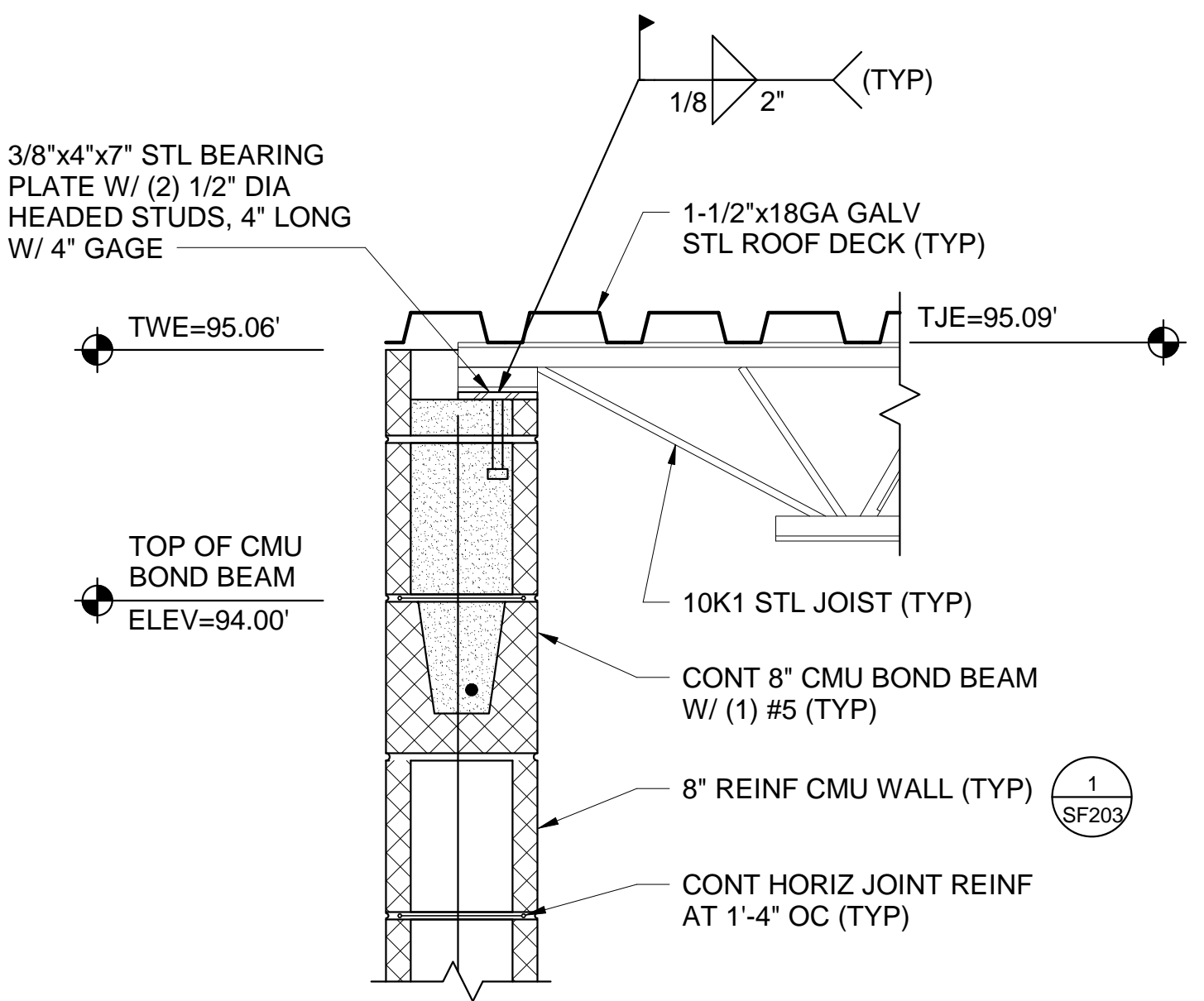
6 W8x10 TO W14x159 OFFSET CONN DETAIL

SF503 SCALE: 1 1/2" = 1'-0"



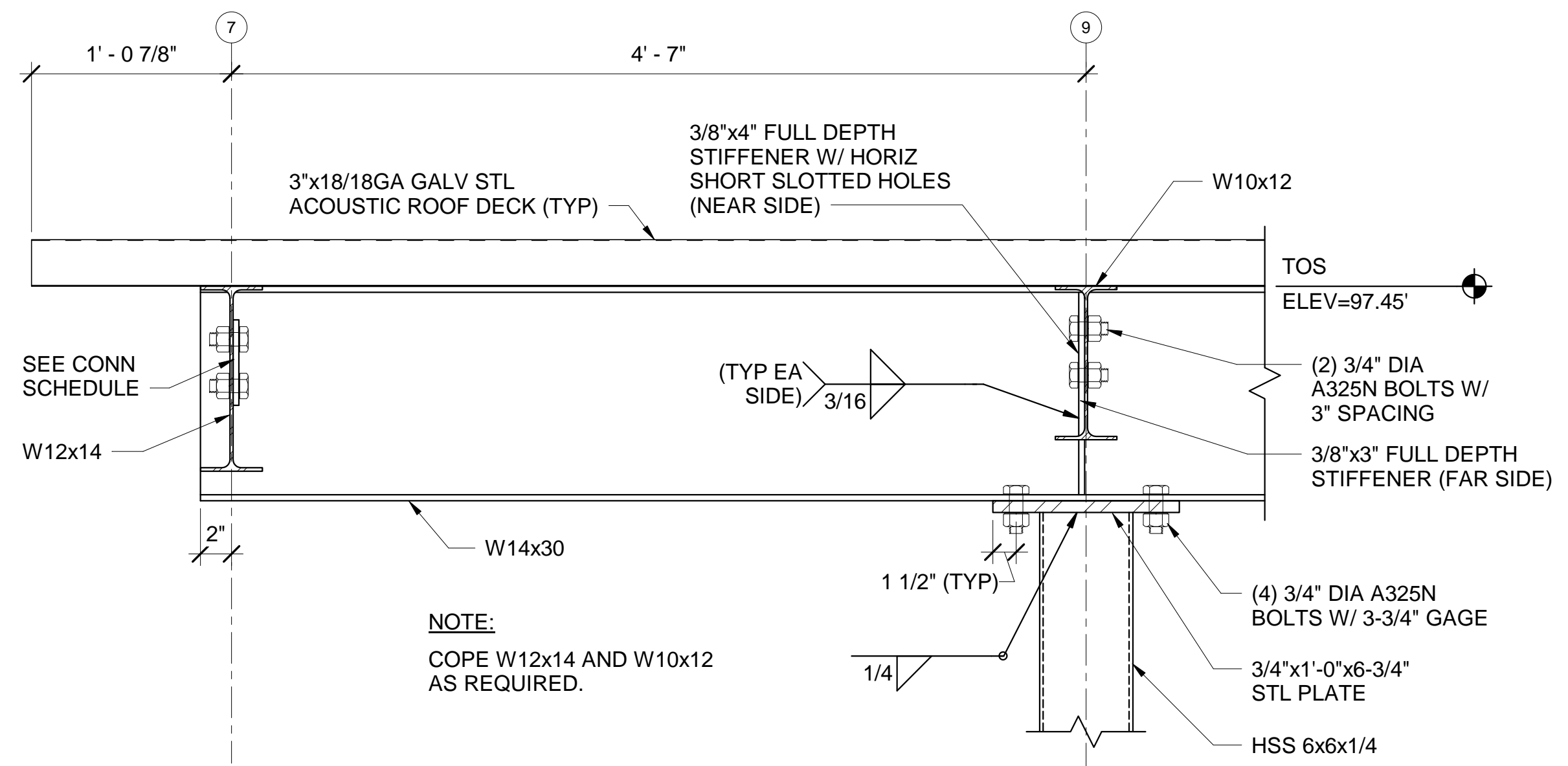
7 GYM SKYLIGHT SUPPORT DETAIL

SF503 SCALE: 1 1/2" = 1'-0"



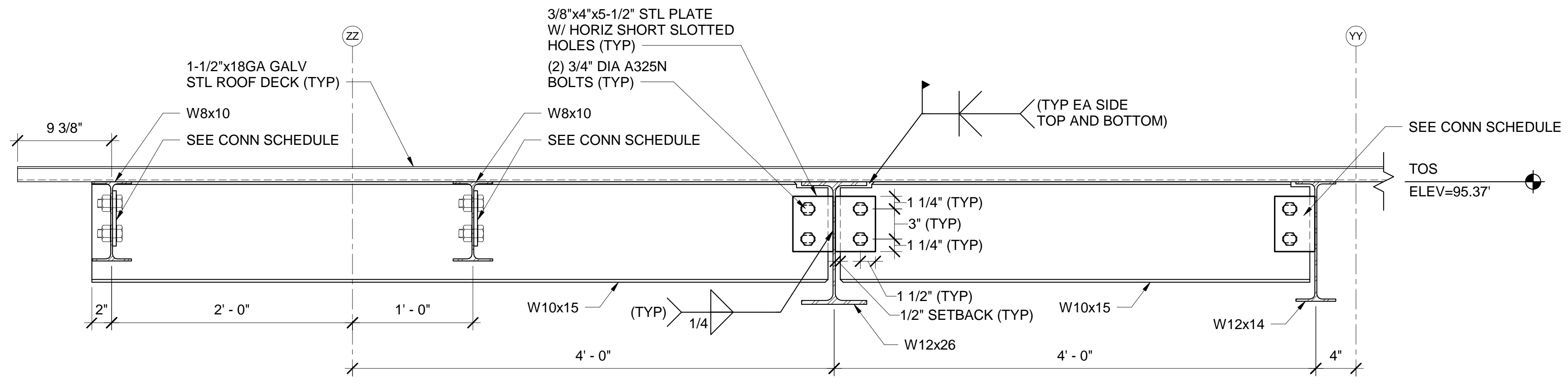
8 TYP 10K1 STL JOIST BEARING DETAIL

SF503 SCALE: 1 1/2" = 1'-0"



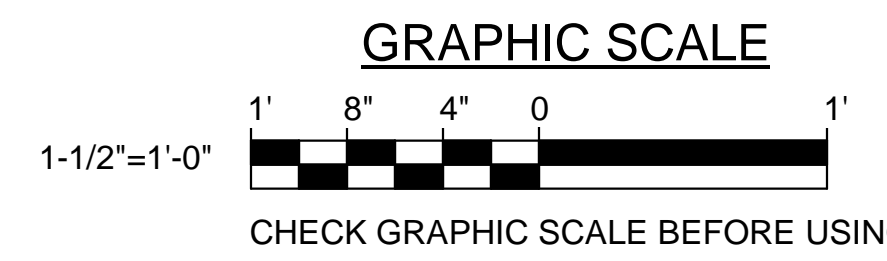
9 W14x30 TO HSS 6x6x1/4 COL CONN DETAIL

SF503 SCALE: 1 1/2" = 1'-0"



10 W10x15 TO W12x26 CONN DETAIL

SF503 SCALE: 1 1/2" = 1'-0"



CHECK GRAPHIC SCALE BEFORE USING

STATE OF MAINE PUBLIC SCHOOL PROJECT	
TITLE: PORTLAND PUBLIC SCHOOLS NEW FRED P. HALL ELEMENTARY SCHOOL	
LOCATION: 23 ORONO ROAD, PORTLAND, ME	
TITLE THIS DWG: STRUCTURAL DETAILS 3	
NO.	DATE
DESCRIPTION	BY
REVISIONS	DATE