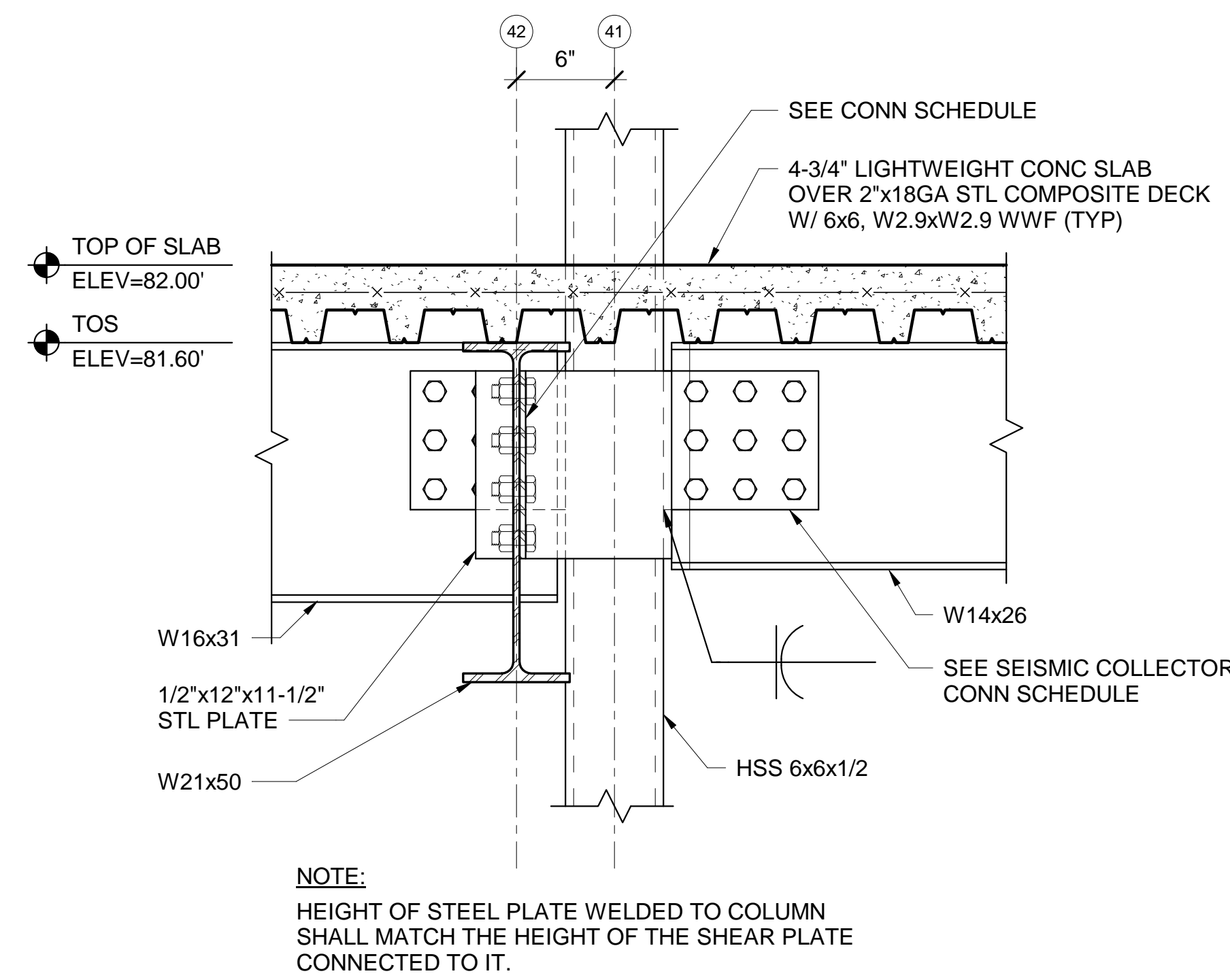


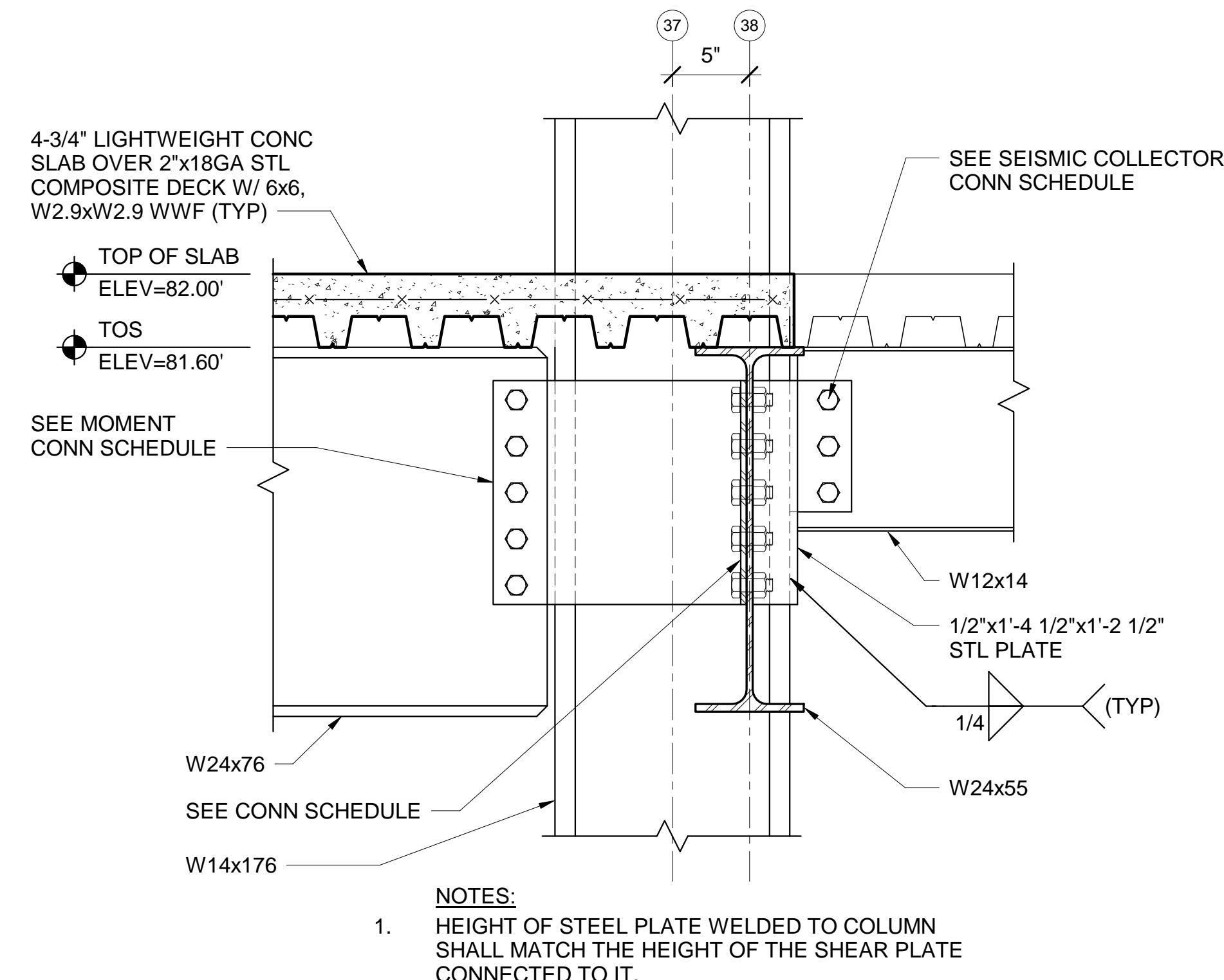
1 W16x31 TO W14x176 OFFSET CONN DETAIL AT FLOOR

SF502 SCALE: 1 1/2" = 1'-0"



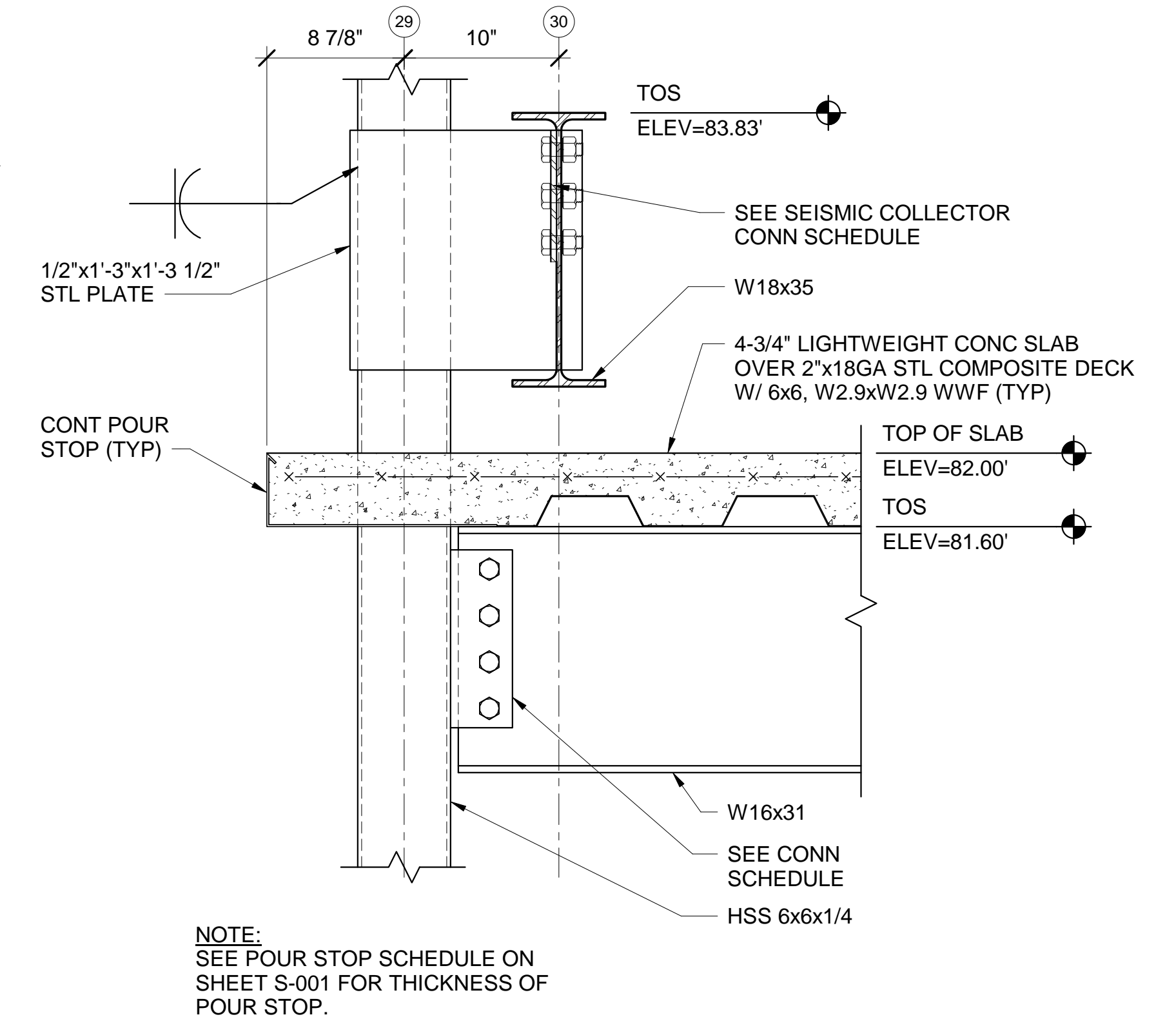
2 W21x50 TO HSS 6x6x1/2 OFFSET CONN DETAIL AT FLOOR

SF502 SCALE: 1 1/2" = 1'-0"



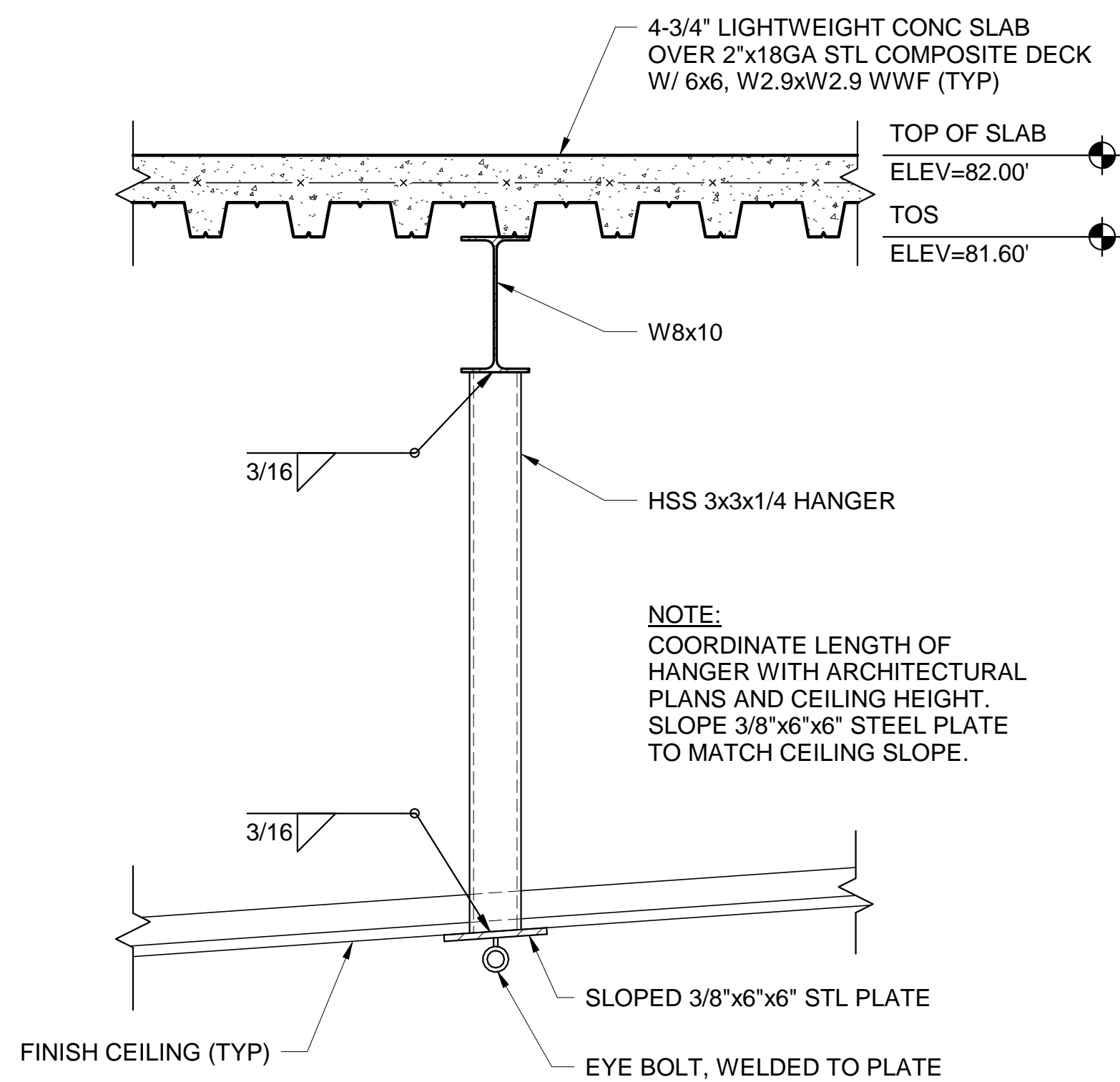
3 W24x55 TO W14x176 OFFSET CONN DETAIL AT FLOOR

SF502 SCALE: 1 1/2" = 1'-0"



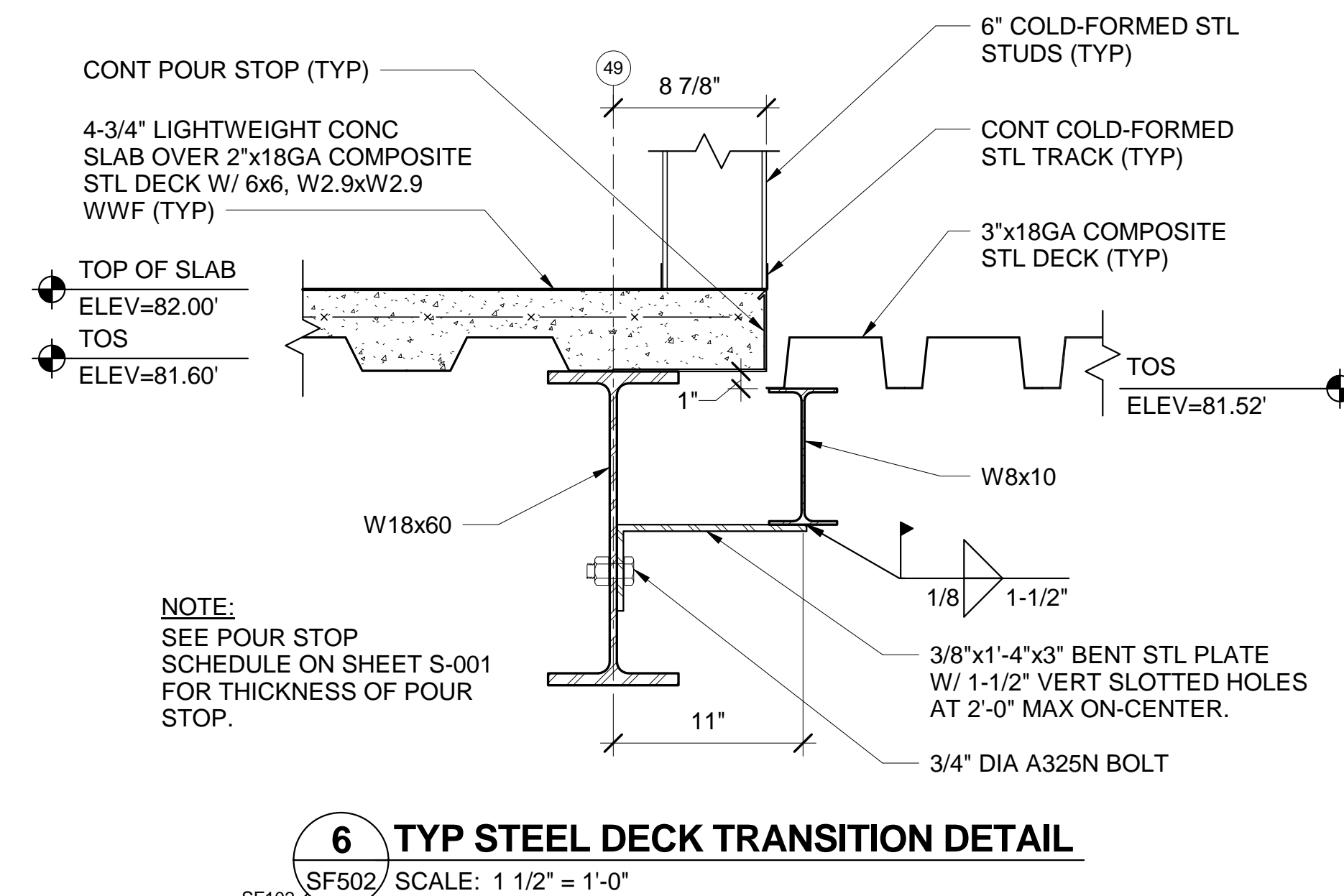
4 W18x35 TO HSS 6x6x1/4 OFFSET CONN DETAIL AT FLOOR

SF502 SCALE: 1 1/2" = 1'-0"



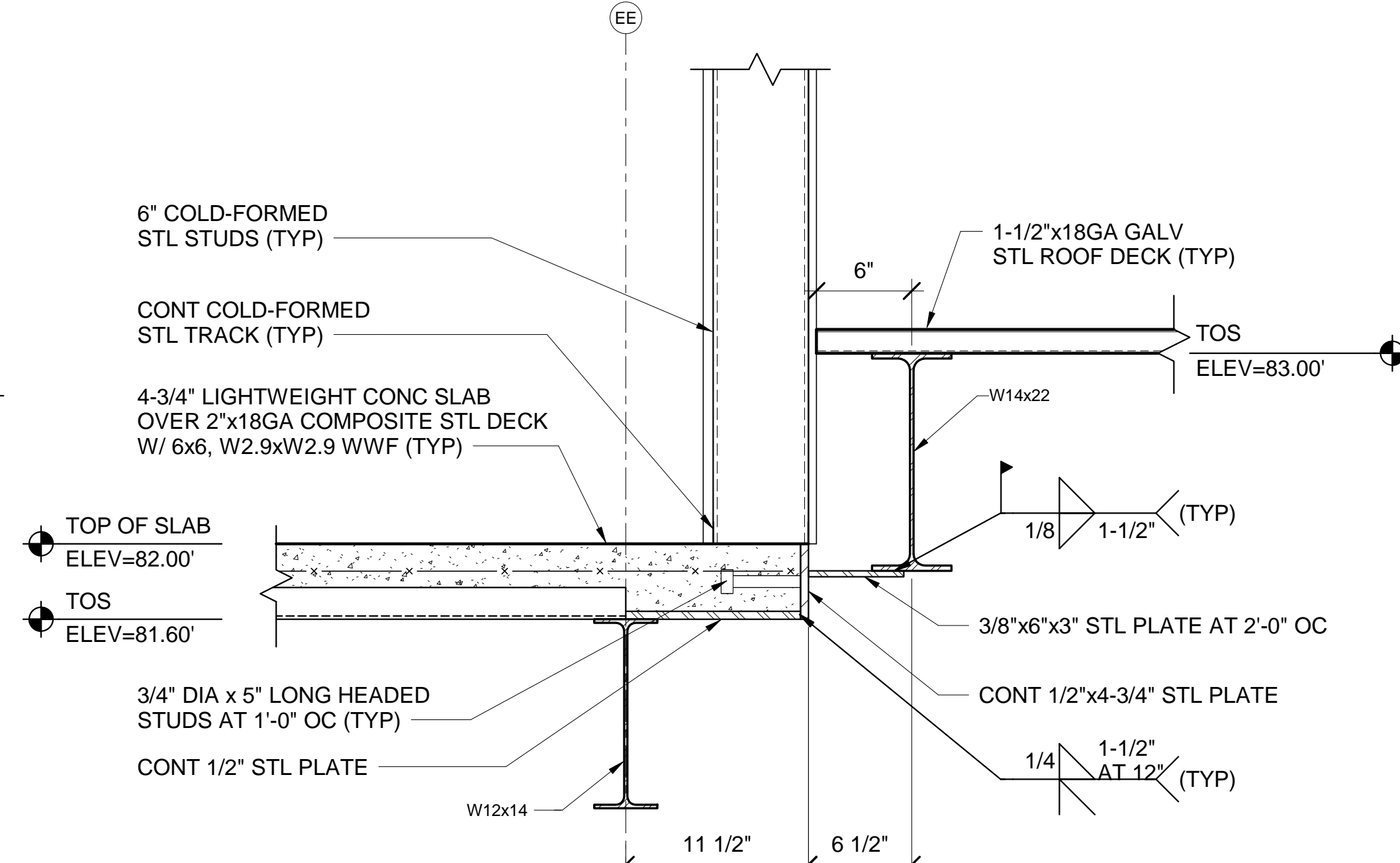
5 SWING HANGER CONN DETAIL

SF502 SCALE: 1 1/2" = 1'-0"



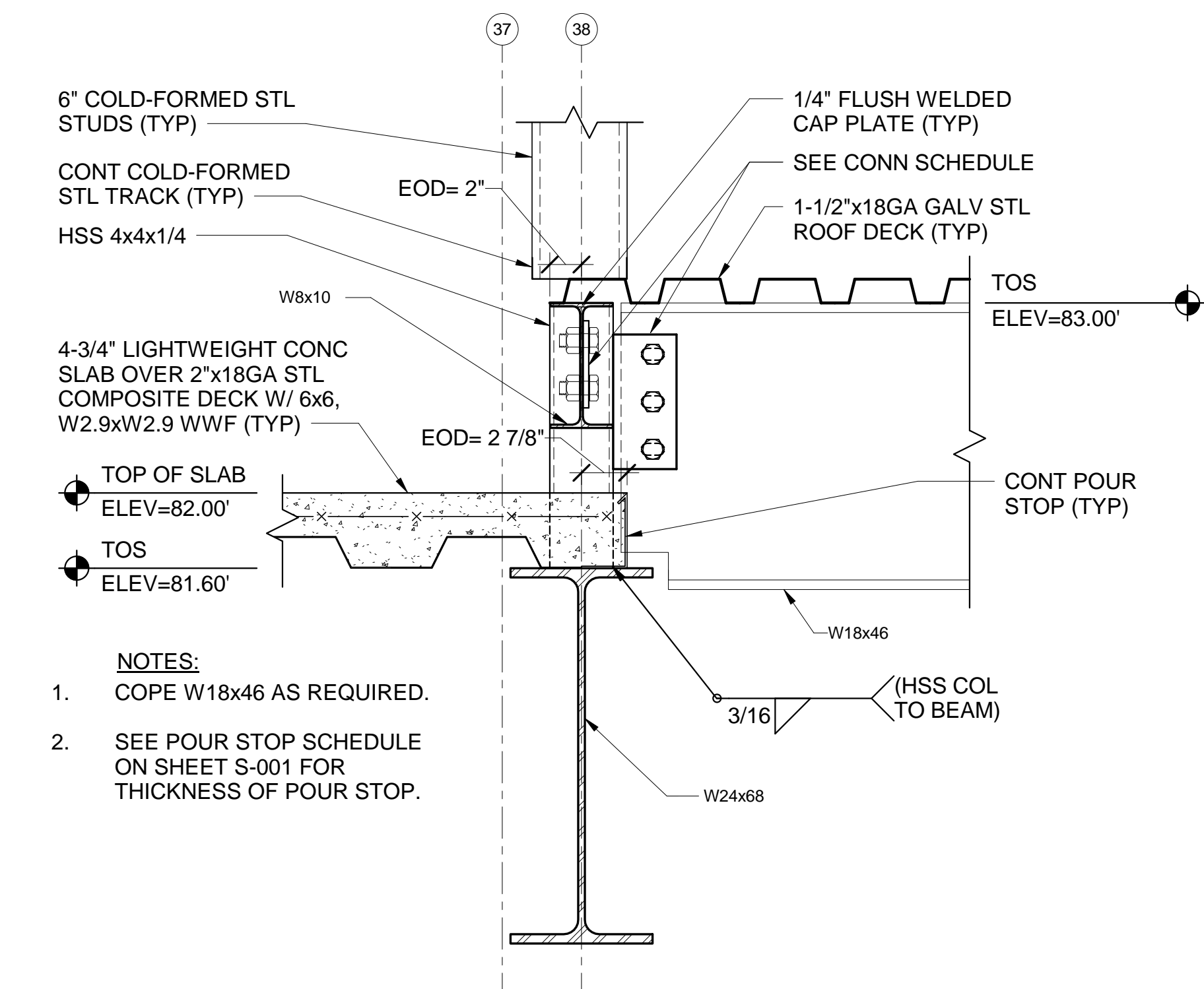
6 TYP STEEL DECK TRANSITION DETAIL

SF502 SCALE: 1 1/2" = 1'-0"



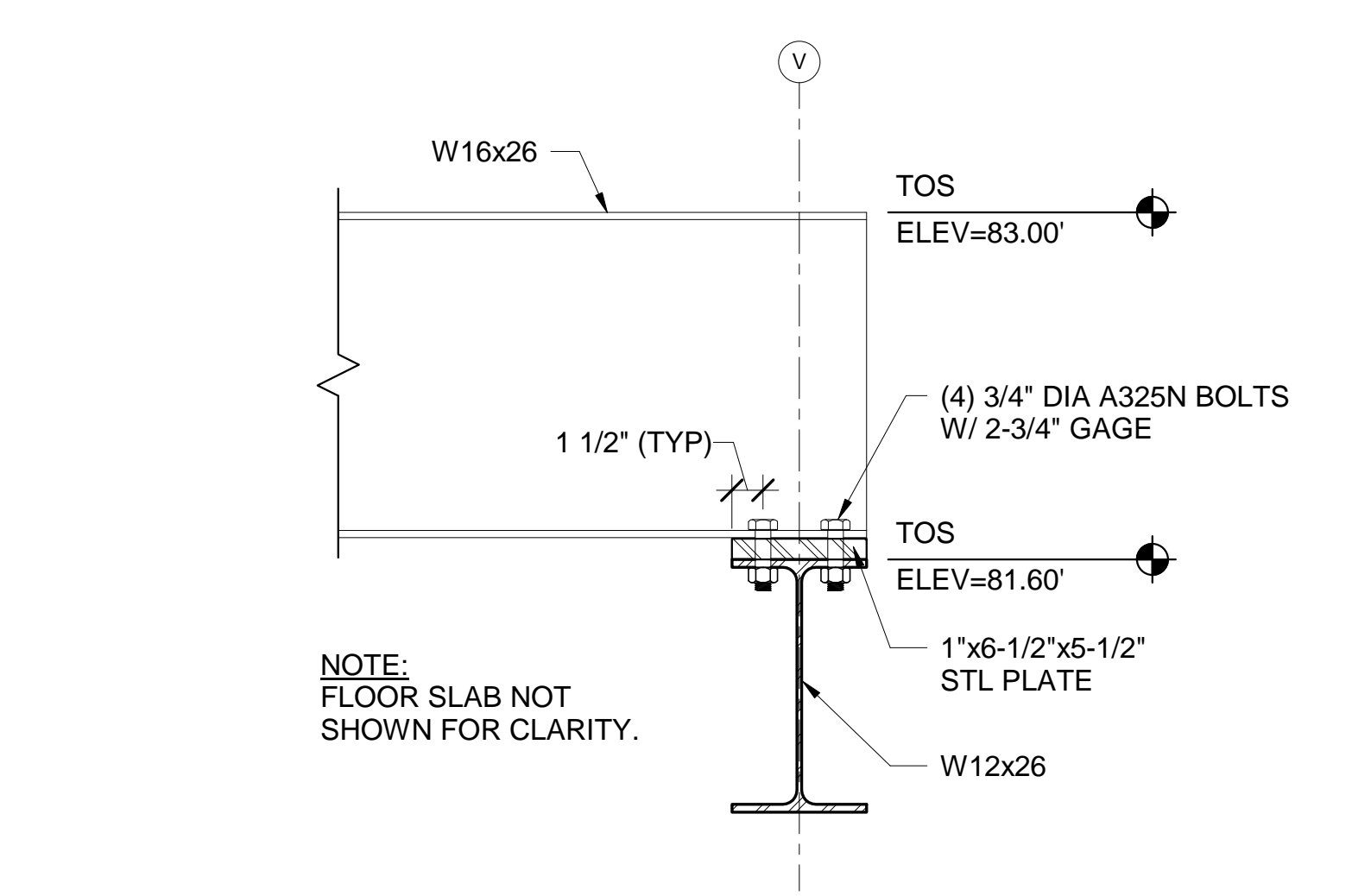
7 SLAB EDGE/ROOF DECK DETAIL AT GRID LINE EE

SF502 SCALE: 1 1/2" = 1'-0"



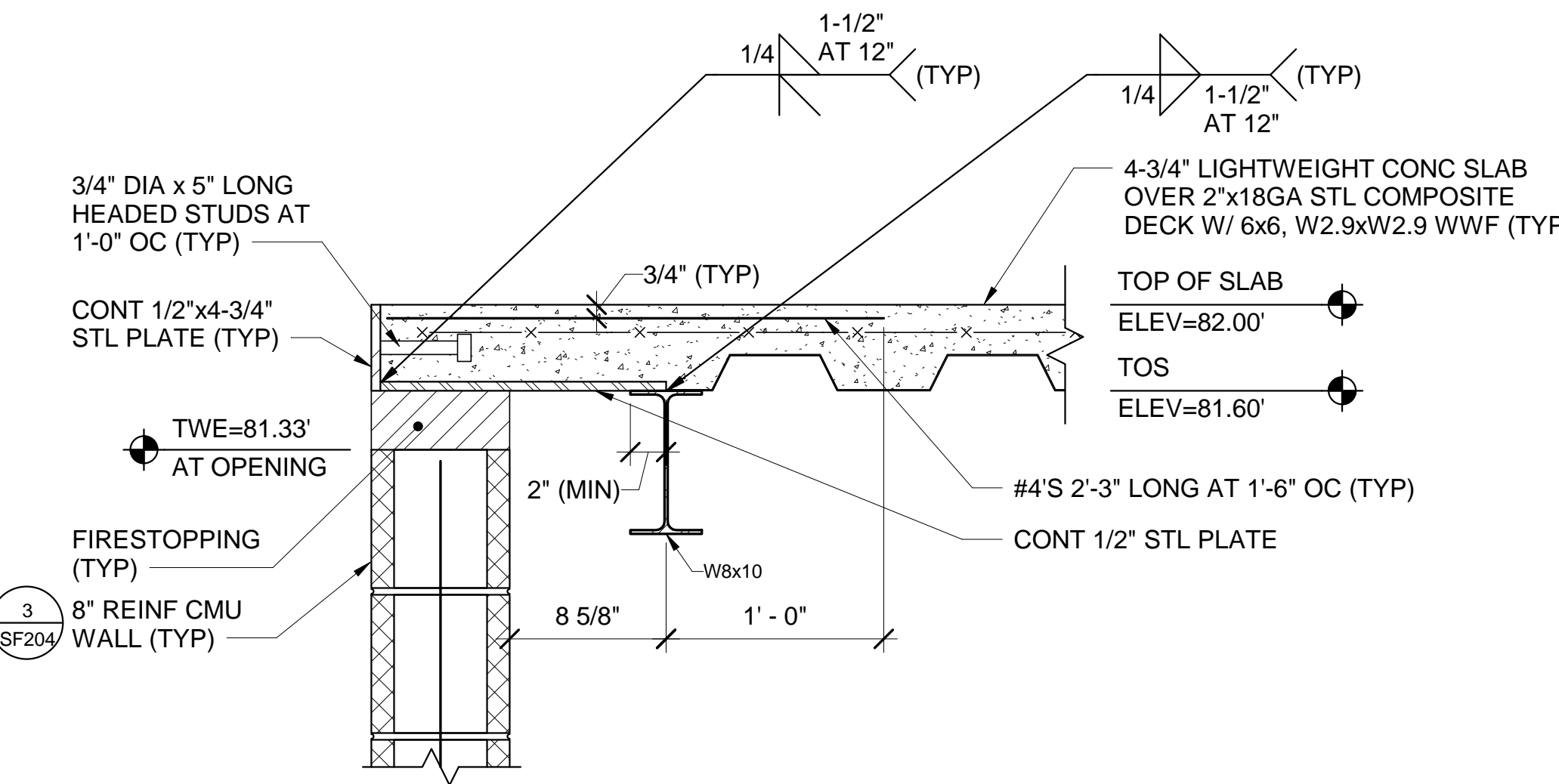
8 W18x46 TO W24x68 CONN DETAIL

SF502 SCALE: 1 1/2" = 1'-0"



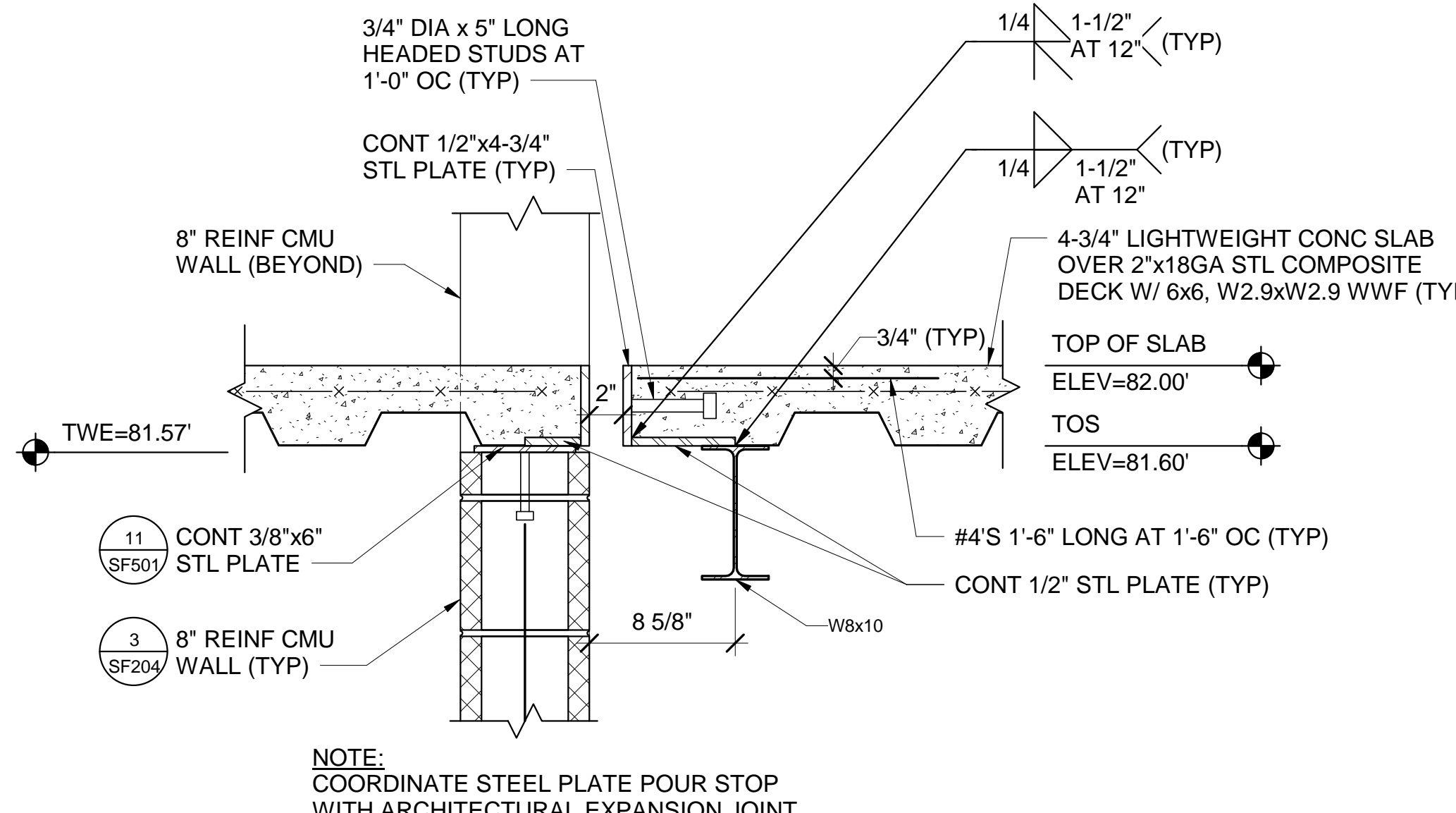
9 W16x26 TO W12x26 CONN DETAIL

SF502 SCALE: 1 1/2" = 1'-0"



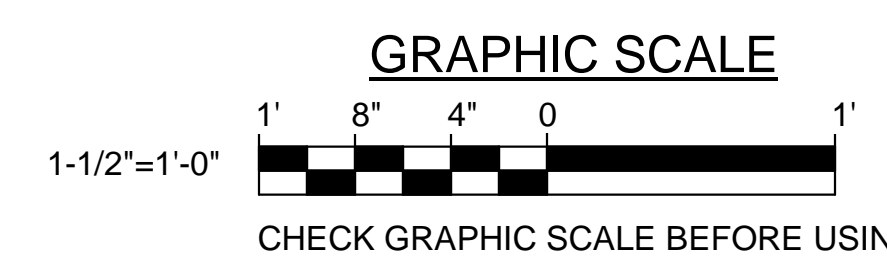
10 TYP POUR STOP DETAIL AT DOOR OPENING

SF502 SCALE: 1 1/2" = 1'-0"



11 TYP POUR STOP DETAIL AT CMU WALL/DOOR

SF502 SCALE: 1 1/2" = 1'-0"



STATE OF MAINE PUBLIC SCHOOL PROJECT	
TITLE: PORTLAND PUBLIC SCHOOLS NEW FRED P. HALL ELEMENTARY SCHOOL	
LOCATION: 23 ORONO ROAD, PORTLAND, ME	
TITLE THIS DWG: STRUCTURAL DETAILS 2	
DRAWN BY: MJC	CHECKED BY: DNM
DATE: 03/17/17	DATE: 03/17/17
OAK POINT ASSOCIATES	
DRAWING NO: SF502	
SHEET NO: 109 OF 312	