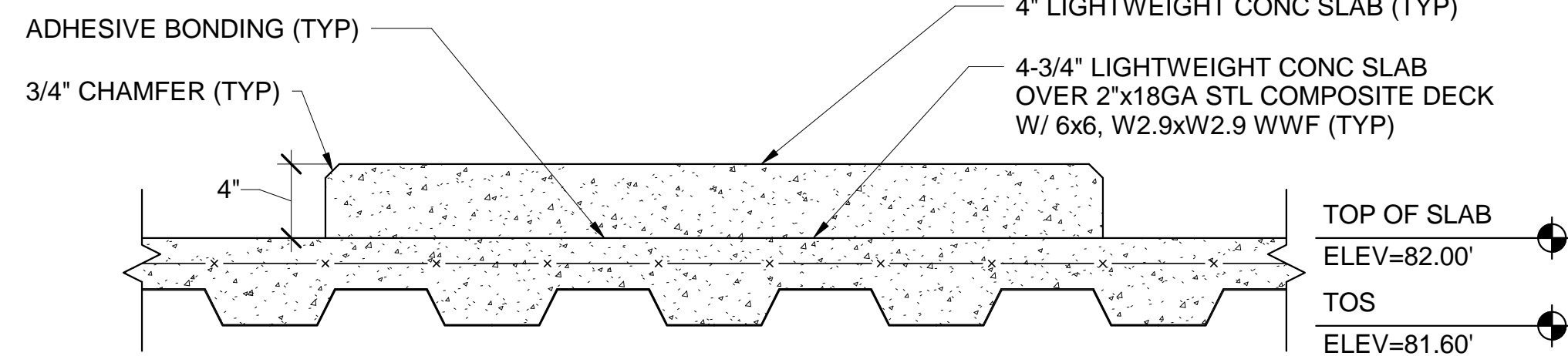


1 TYP COMPOSITE SLAB REINF DETAIL AT W-SECTION GIRDER

SF501 SCALE: 1 1/2" = 1'-0"

S-002, SF101, SF102

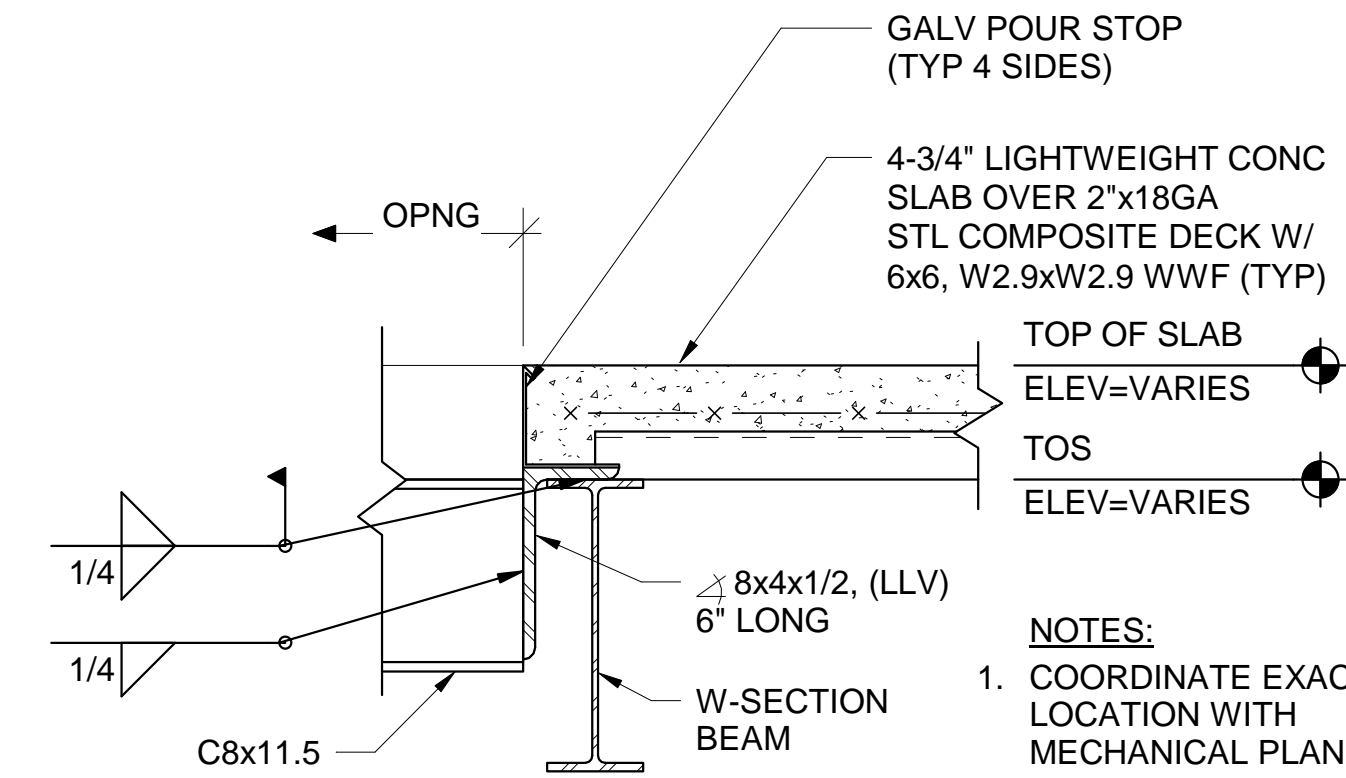


NOTES:

- COORDINATE EXACT SIZE AND LOCATION WITH MECHANICAL AND PLUMBING PLANS.
- INSTALL EQUIPMENT PER MANUFACTURER'S PRINTED INSTRUCTIONS.

2 TYP CONC EQUIPMENT PAD AT ELEVATED SLAB DETAIL

SF501 SCALE: 1 1/2" = 1'-0"

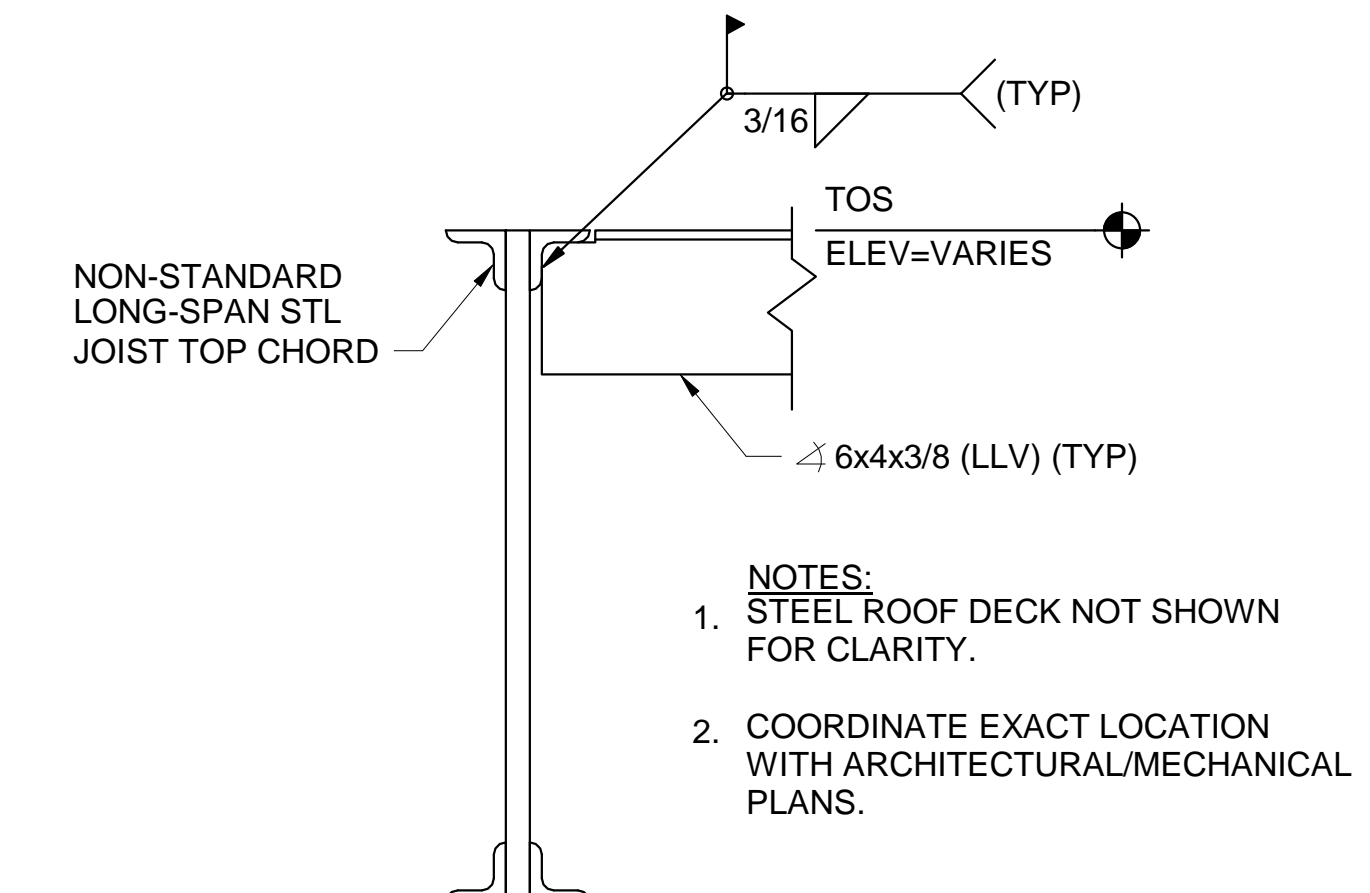


NOTES:

- COORDINATE EXACT LOCATION WITH MECHANICAL PLANS.
- RADIANT HEAT TUBING NOT SHOWN FOR CLARITY.

3 TYP C8x11.5 AT MECH OPENING CONN DETAIL

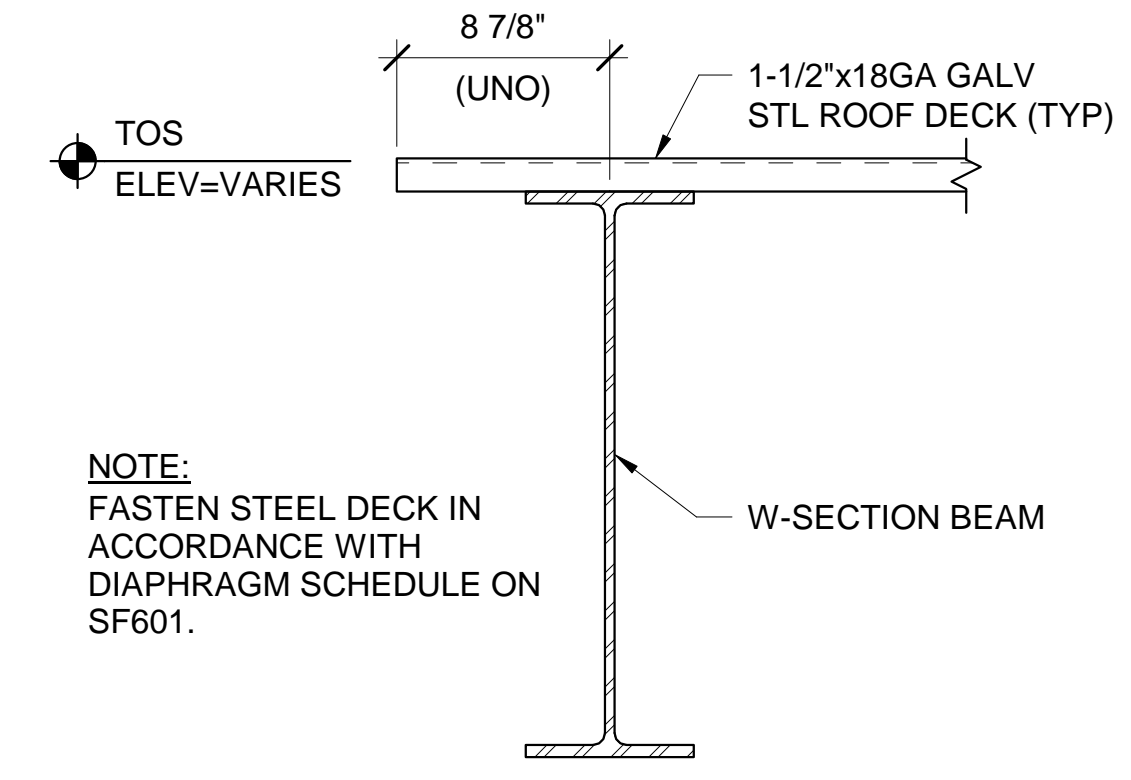
SF103, SF104



- NOTES:**
- STEEL ROOF DECK NOT SHOWN FOR CLARITY.
 - COORDINATE EXACT LOCATION WITH ARCHITECTURAL/MECHANICAL PLANS.

4 TYP HEADER TO STL JOIST DETAIL

SF501 SCALE: 1 1/2" = 1'-0"

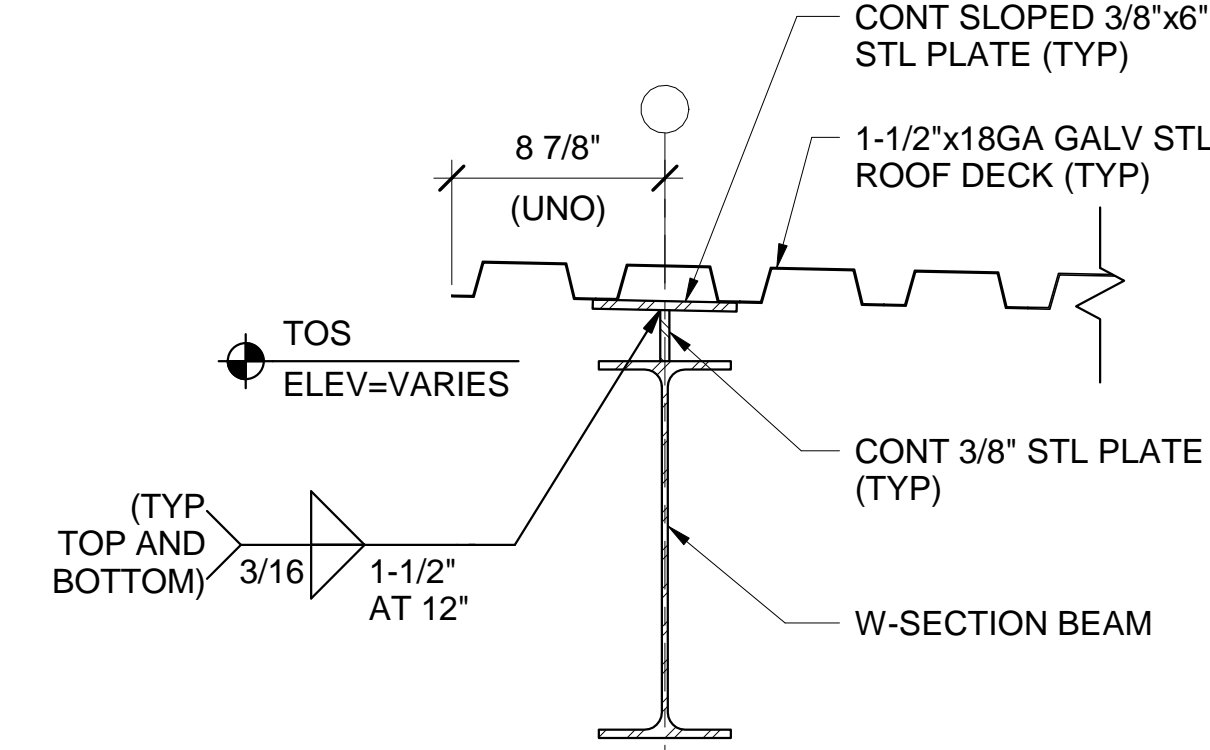


NOTE:
FASTEN STEEL DECK IN ACCORDANCE WITH DIAPHRAGM SCHEDULE ON SF601.

5 TYP PERIMETER ROOF DECK TO W-SECTION BEAM DETAIL

SF501 SCALE: 1 1/2" = 1'-0"

SF103

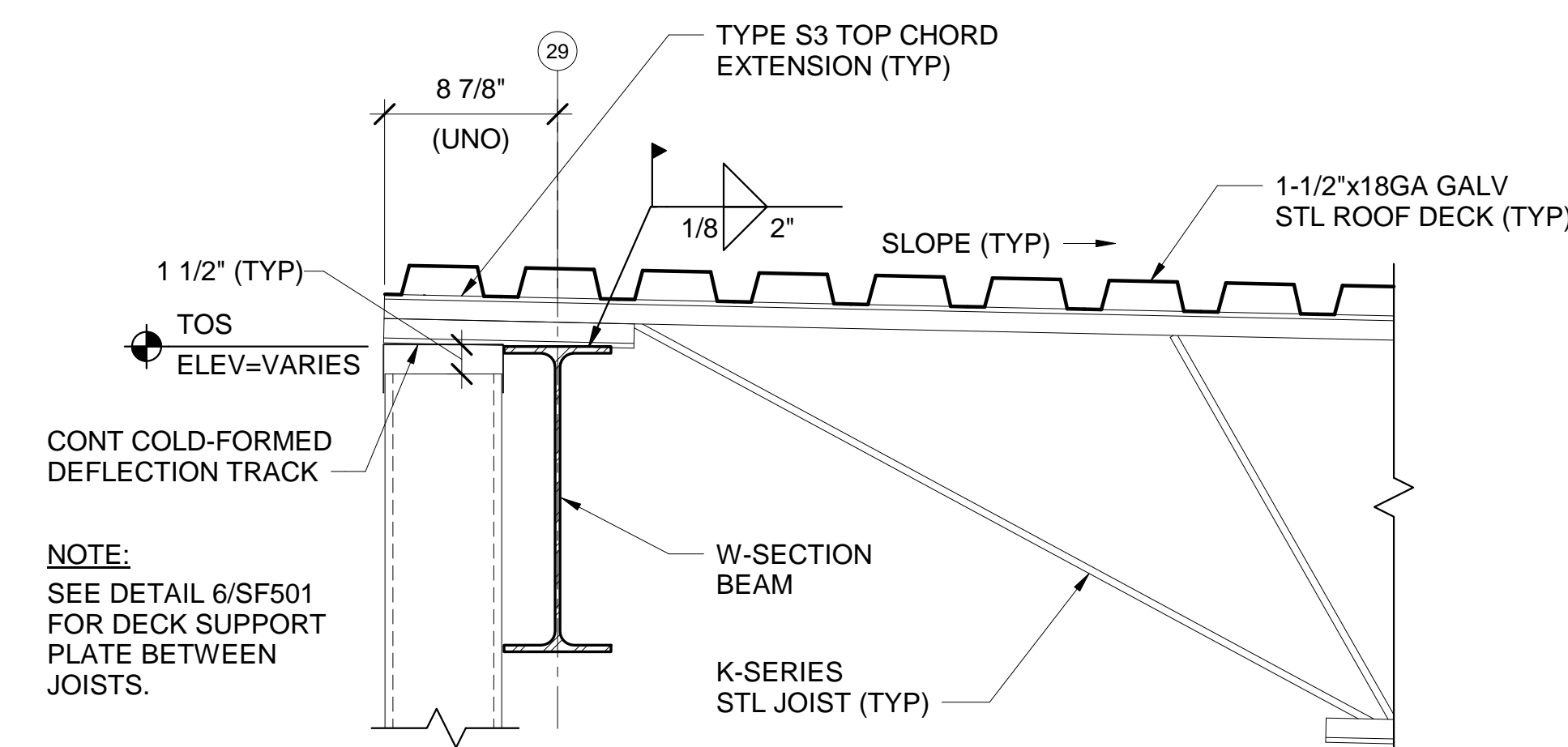


NOTES:

- FASTEN STEEL DECK TO SLOPED STEEL PLATE IN ACCORDANCE WITH ROOF DIAPHRAGM SCHEDULE ON SHEET SF601.
- DEPTH OF BUILT-UP T TO MATCH JOIST SEAT DEPTH.

6 DECK SUPPORT PLATE DETAIL

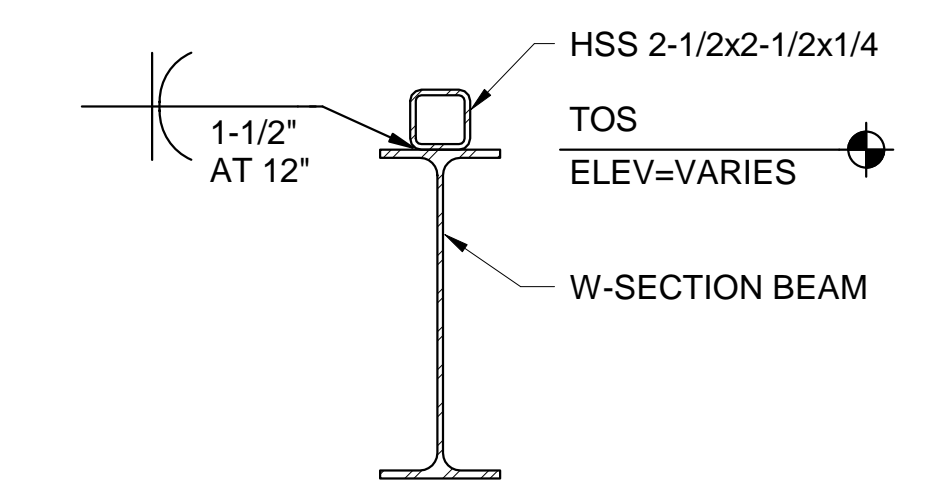
SF103, SF501, SF103



NOTE:
SEE DETAIL 6/SF501 FOR DECK SUPPORT PLATE BETWEEN JOISTS.

7 TYP K-SERIES STL JOIST TO W-SECTION BEAM

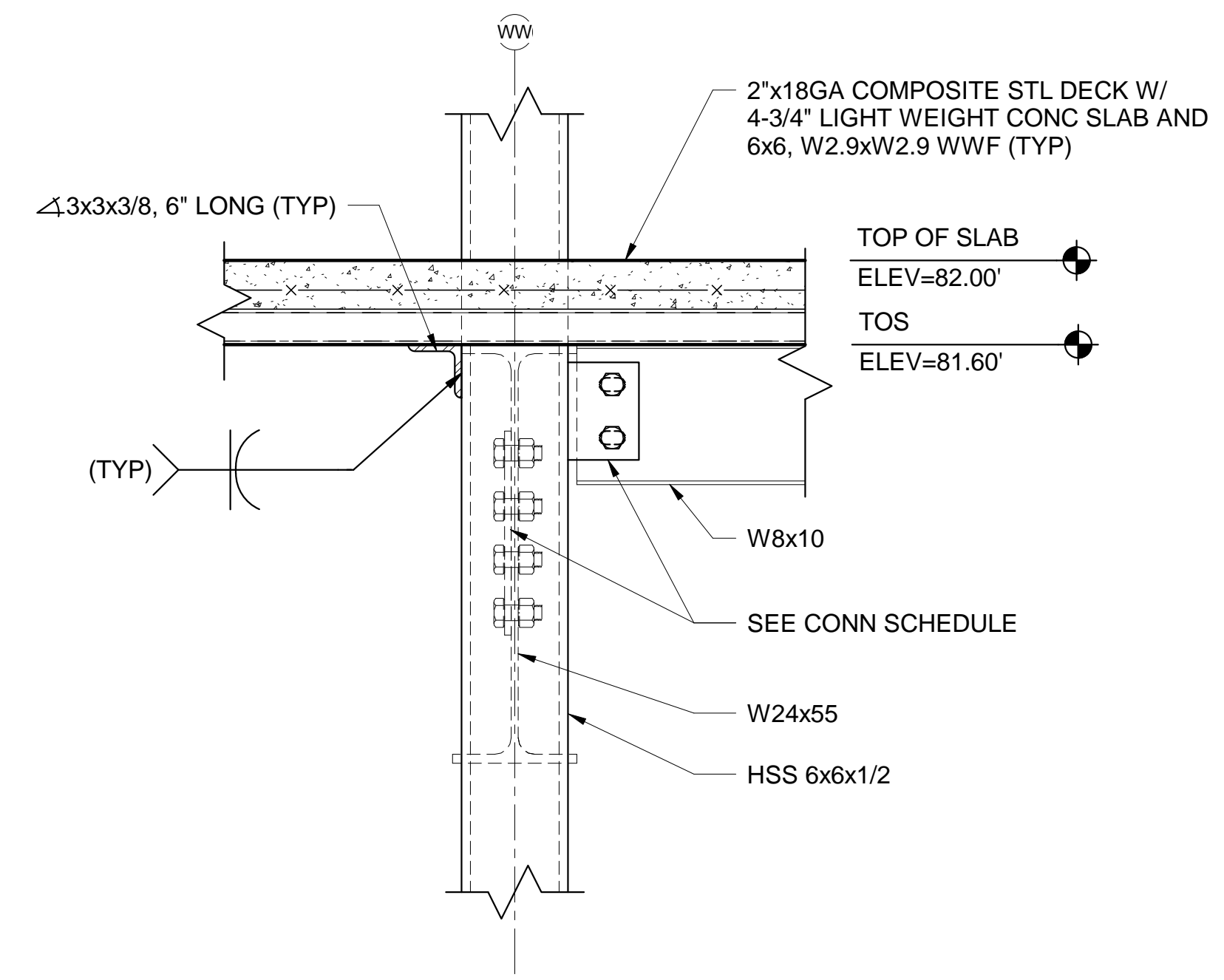
SF103



NOTE:
PROVIDE 9\"/>

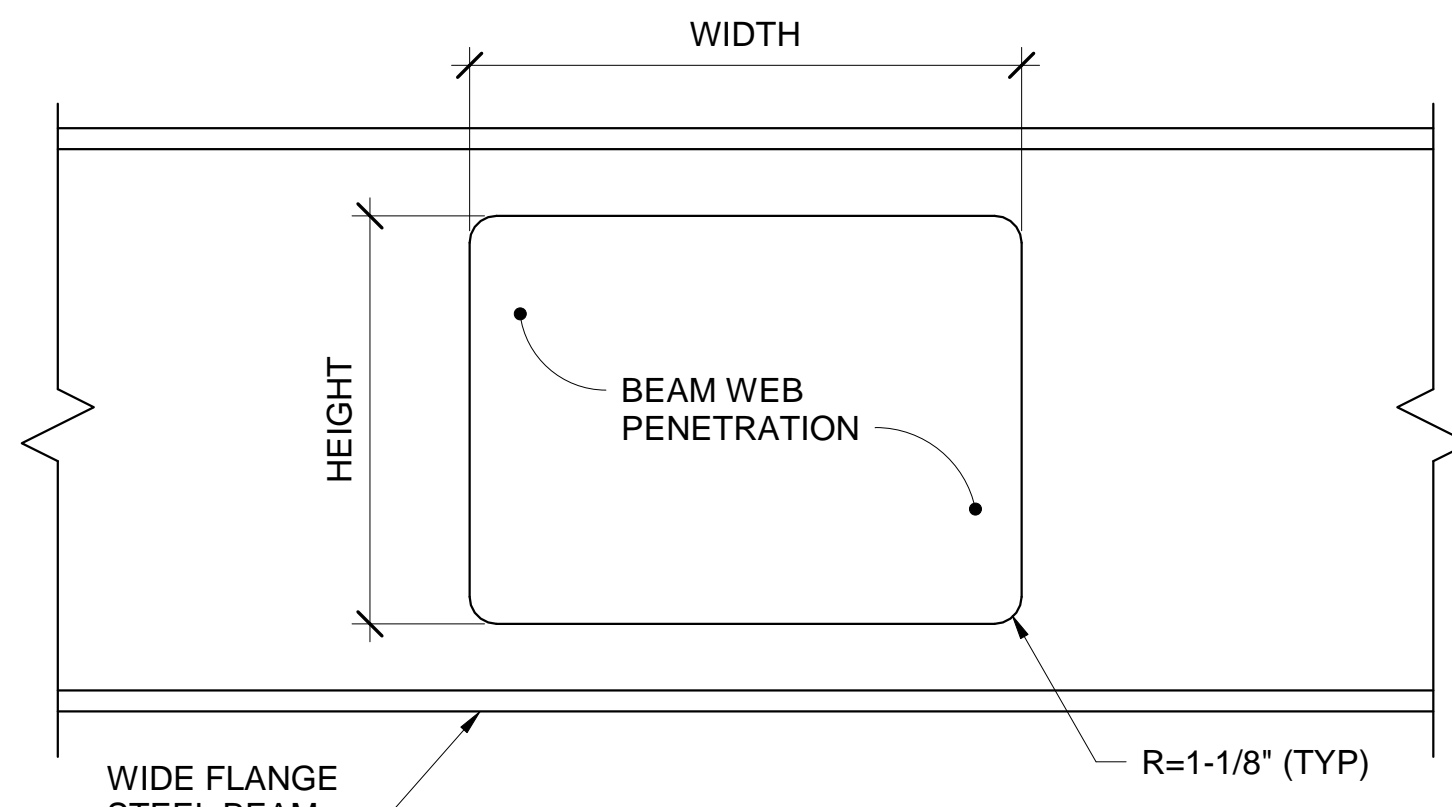
8 HSS 2-1/2x2-1/2x1/4 FILLER TUBE CONN DETAIL

SF104



9 TYP FLOOR SLAB SUPPORT ANGLE DETAIL

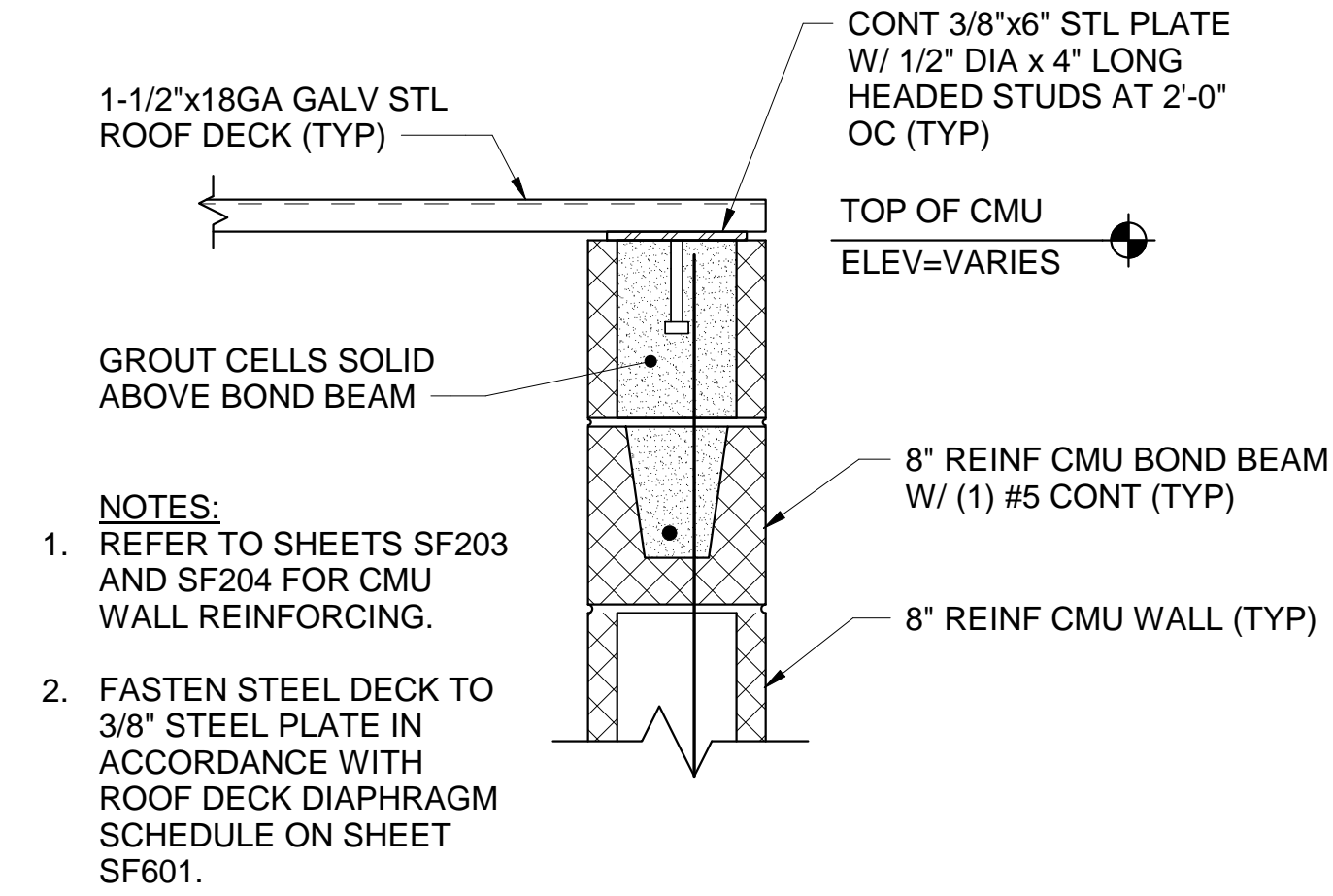
SF101, SF102



- NOTES:**
- STEEL DECK NOT SHOWN FOR CLARITY.
 - CENTER OF WEB PENETRATION IS LOCATED AT NEUTRAL AXIS OF BEAM.

10 TYP BEAM WEB PENETRATION DETAIL

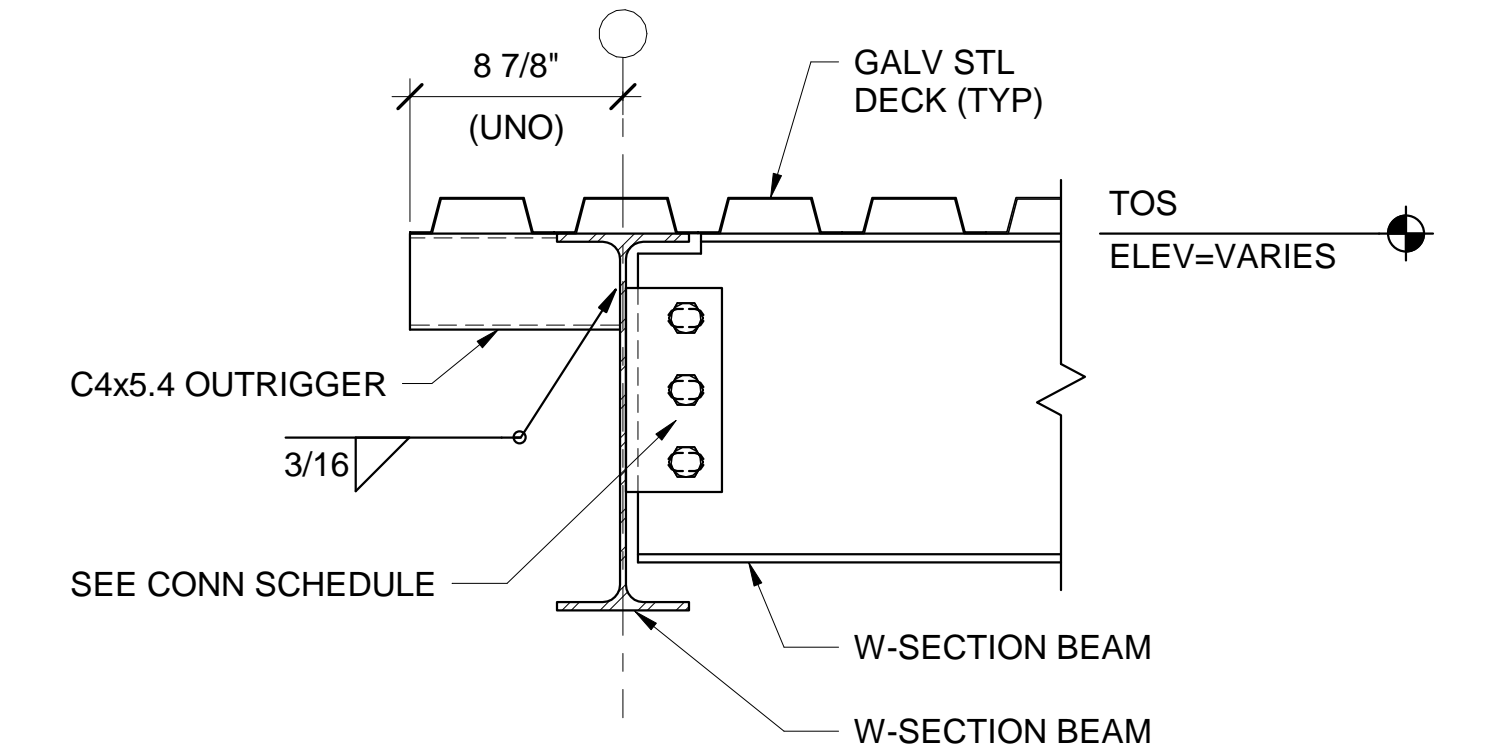
SF103



- NOTES:**
- REFER TO SHEETS SF203 AND SF204 FOR CMU WALL REINFORCING.
 - FASTEN STEEL DECK TO 3/8\"/>

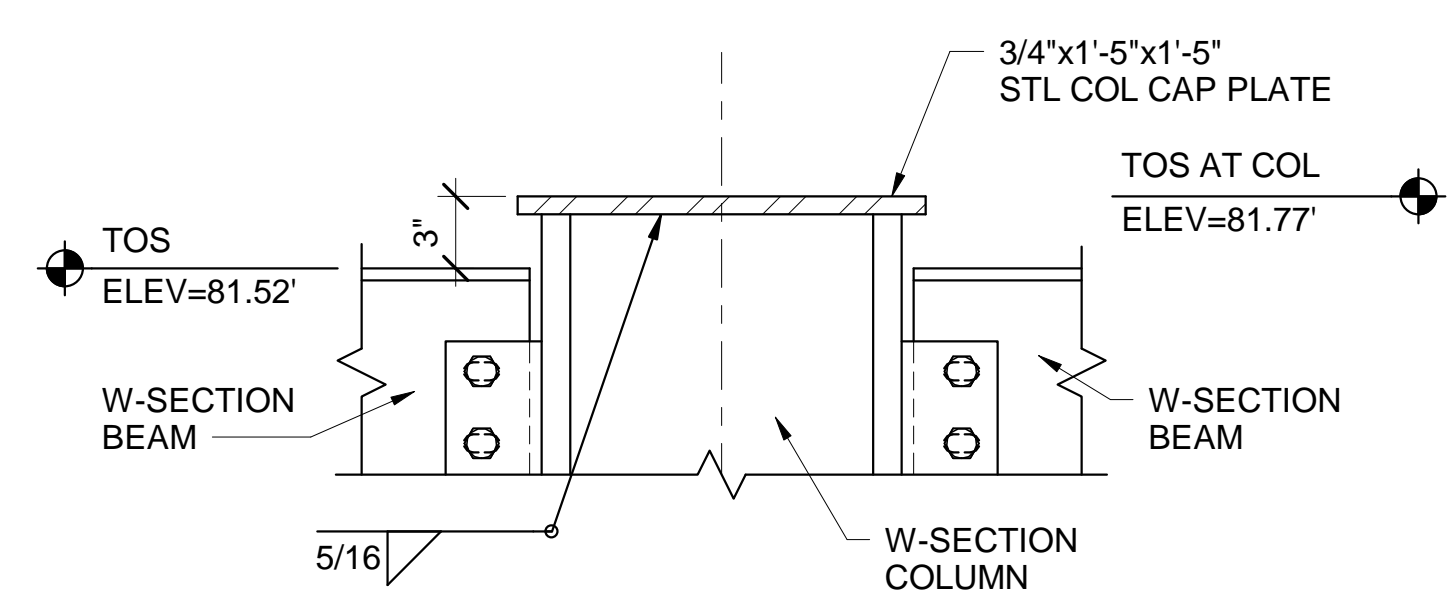
11 TYP 3/8\"/>

SF203, SF204, SF502



12 TYP OUTRIGGER DETAIL

SF102, SF103, SF104, SF105

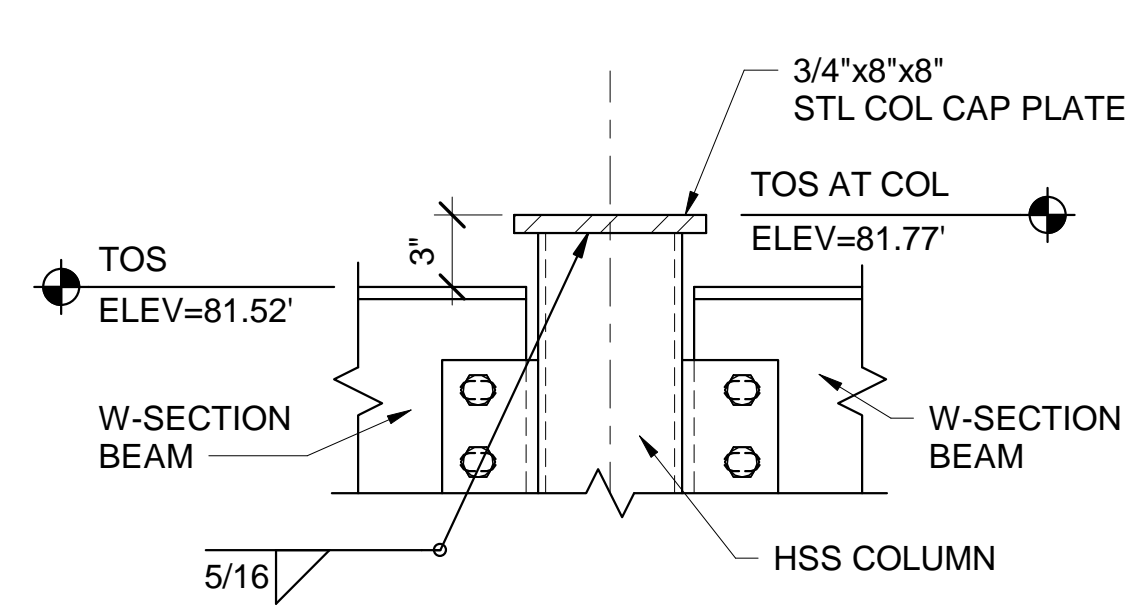


NOTE:
STEEL DECK NOT SHOWN FOR CLARITY.

13 TYP W-SECTION COL CAP PLATE DETAIL AT FUTURE SECOND FLOOR

SF501 SCALE: 1 1/2" = 1'-0"

SF502

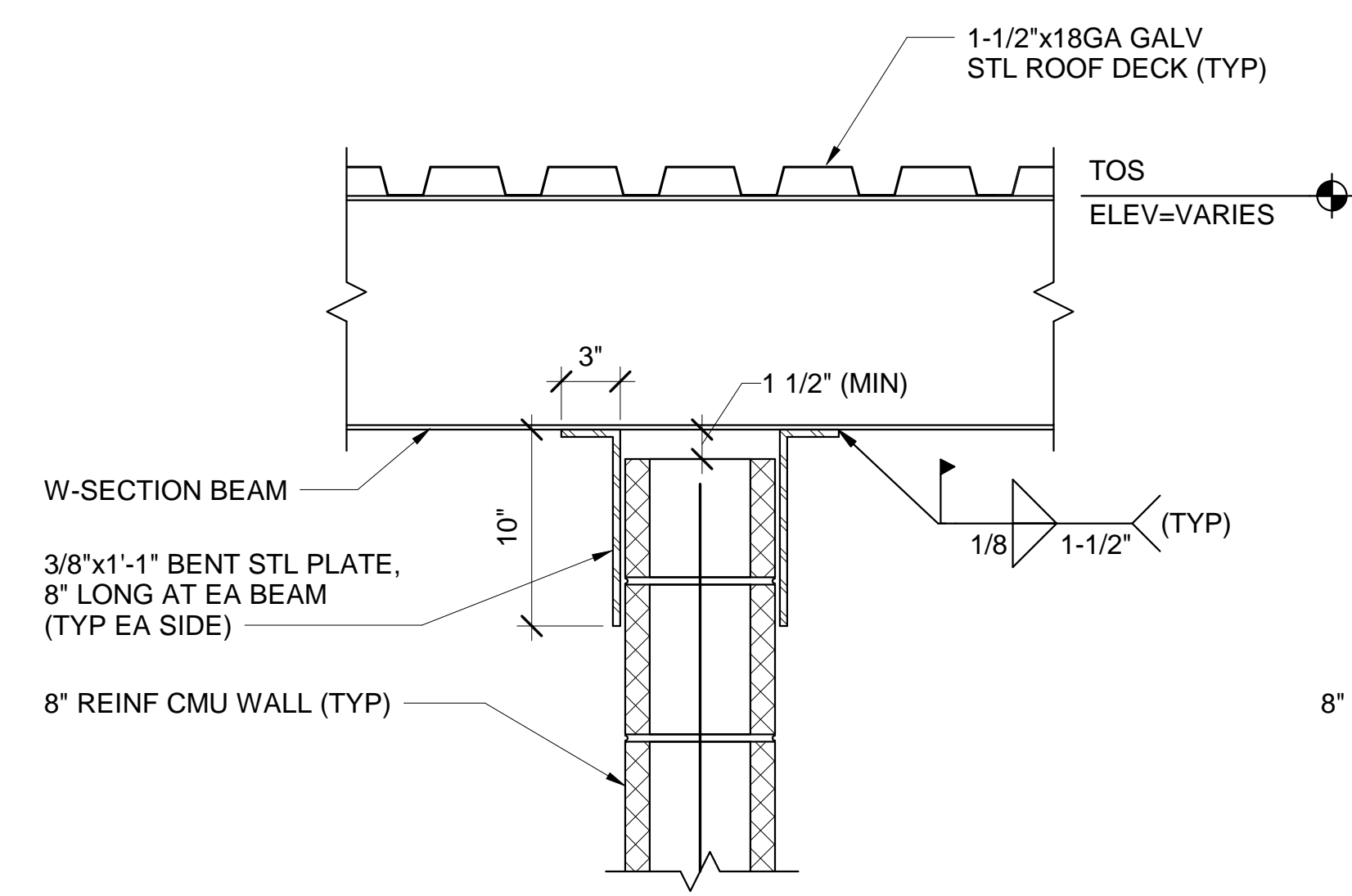


NOTE:
STEEL DECK NOT SHOWN FOR CLARITY.

14 TYP HSS COL CAP PLATE DETAIL AT FUTURE SECOND FLOOR

SF501 SCALE: 1 1/2" = 1'-0"

SF502

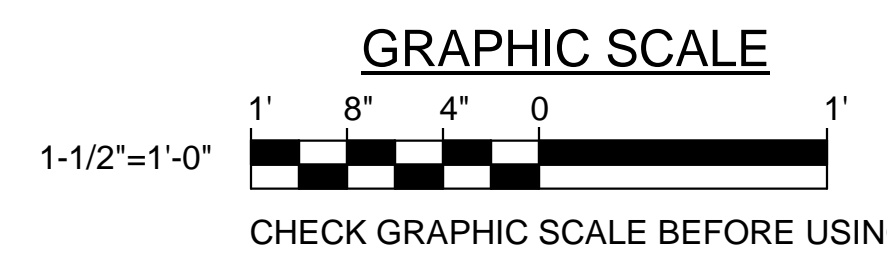


PARALLEL TO DECK

PERPENDICULAR TO DECK

15 TYP CMU WALL BRACING DETAIL

S-001, SF204



		STATE OF MAINE PUBLIC SCHOOL PROJECT TITLE: PORTLAND PUBLIC SCHOOLS NEW FRED P. HALL ELEMENTARY SCHOOL LOCATION: 23 ORONO ROAD, PORTLAND, ME TITLE THIS DWG: STRUCTURAL DETAILS 1	
		DRAWN BY: MJC CHECK BY: DNM	NO. DATE DESCRIPTION BY NO. DATE REVISIONS