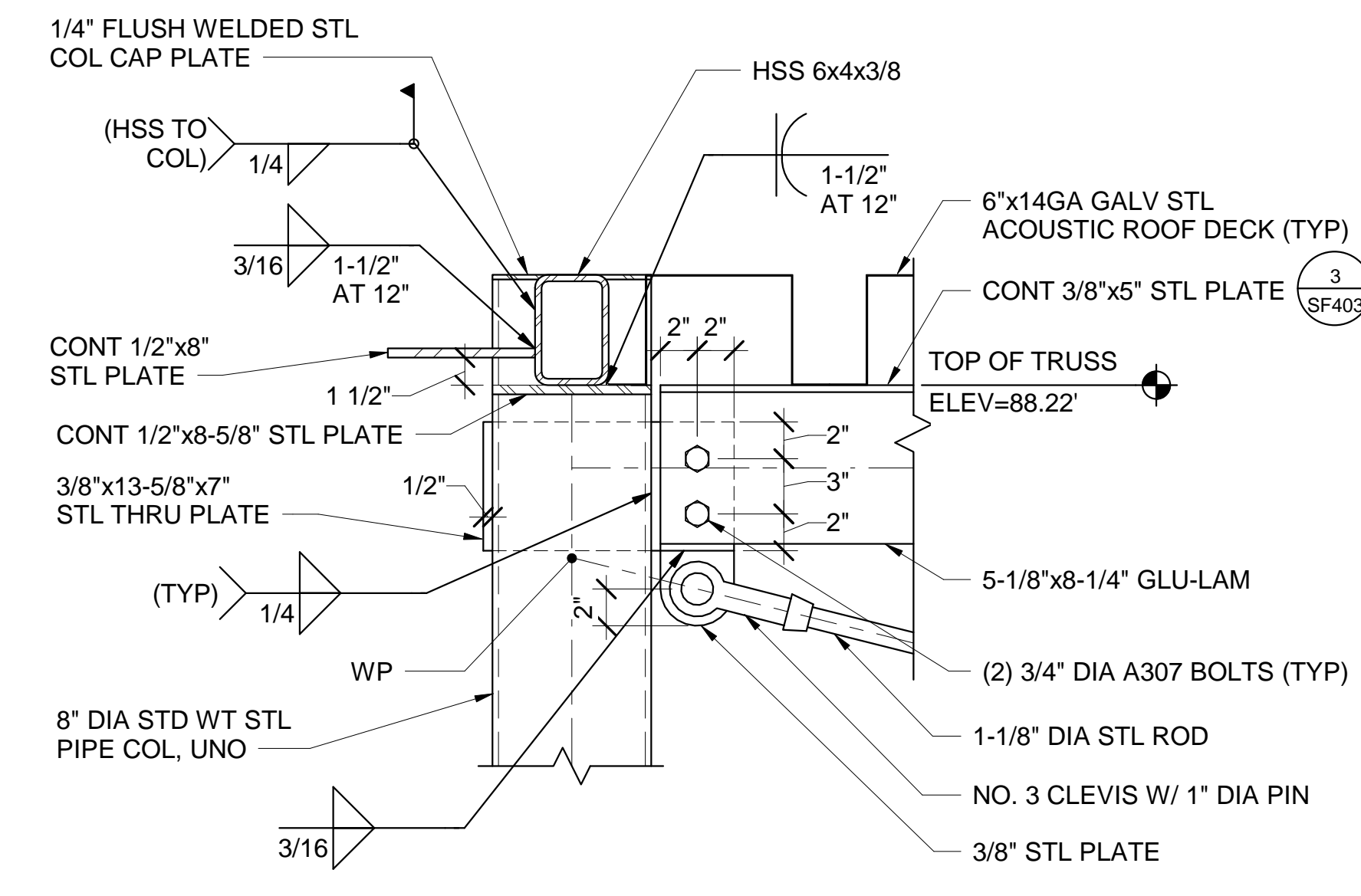
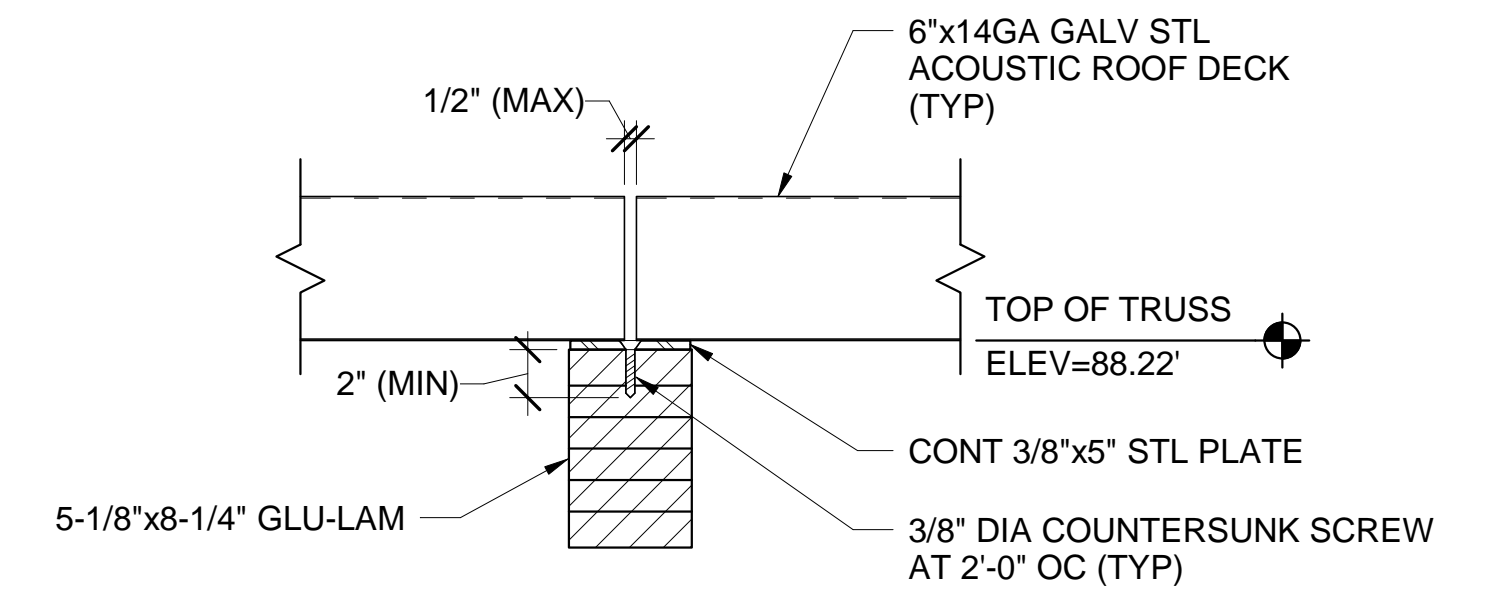


1 TRUSS 1 PROFILE
 SF403 SCALE: 3/4" = 1'-0"
 SF105

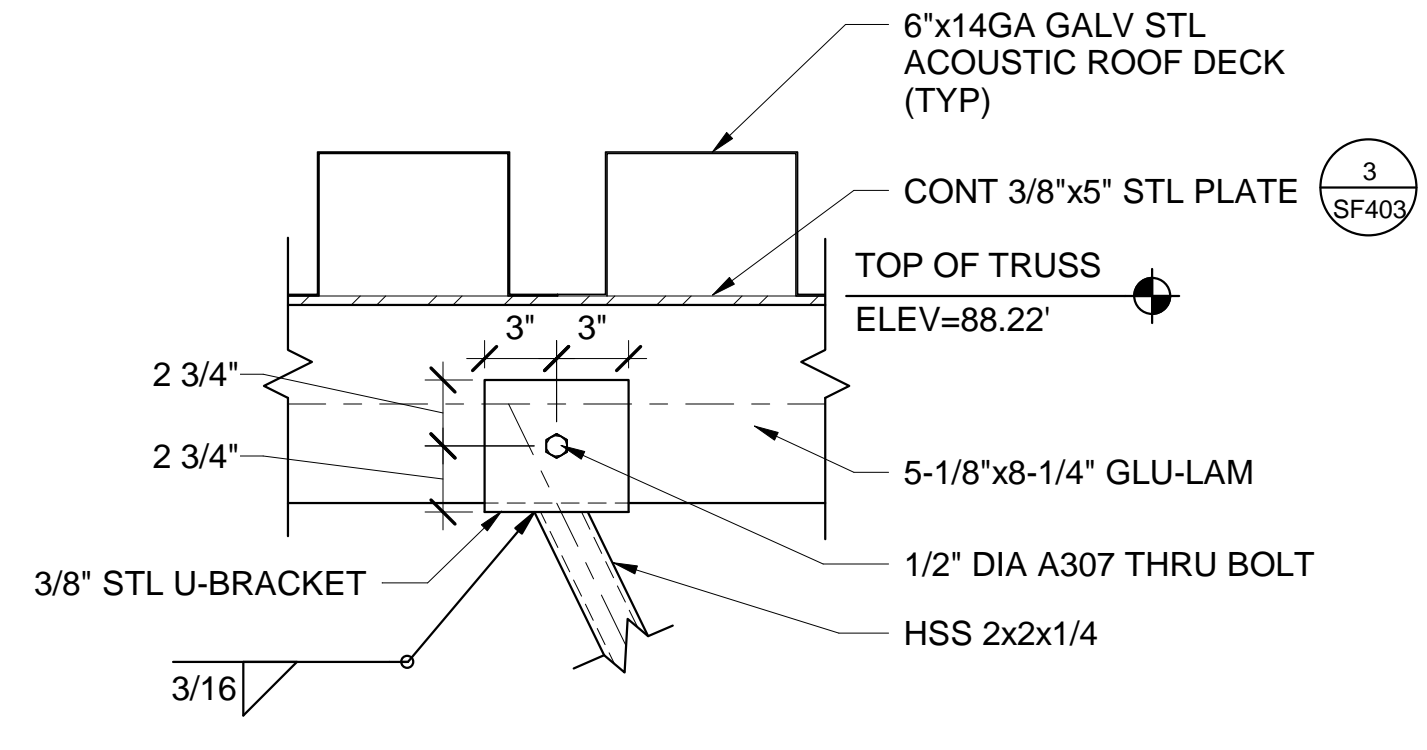


2 CLERESTORY TRUSS CONN DETAIL
 SF403 SCALE: 1 1/2" = 1'-0"
 SF105, SF403

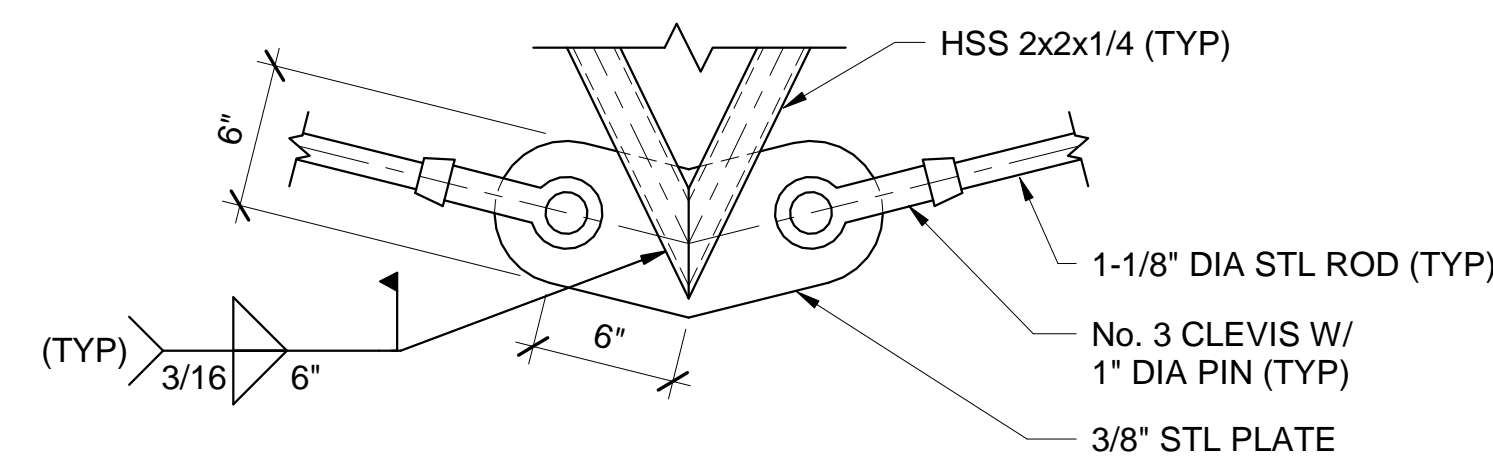


**3 3/8\"/>
 SF403 SCALE: 1 1/2" = 1'-0"**

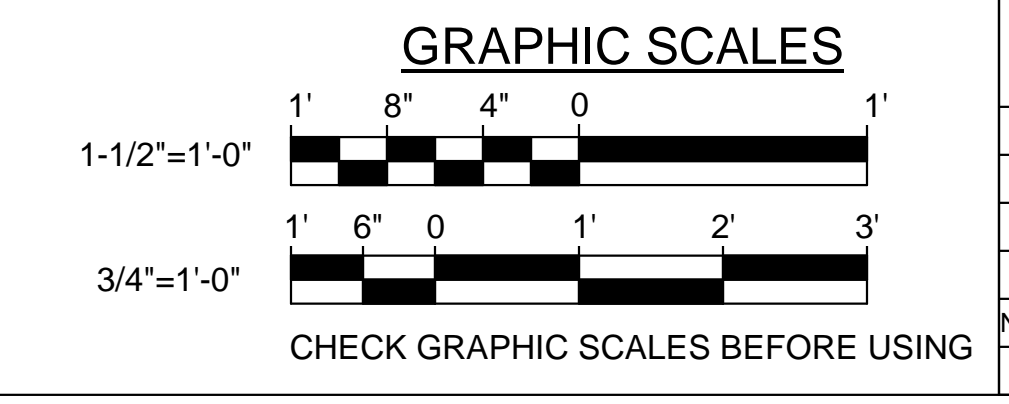
NOTE:
 PROVIDE 2" MINIMUM END BEARING FOR 6" STEEL DECK.



4 HSS 2x2x1/4 TO GLU-LAM CONN DETAIL
 SF403 SCALE: 1 1/2" = 1'-0"
 SF403



5 STL ROD TO HSS 2x2x1/4 CONN DETAIL
 SF403 SCALE: 1 1/2" = 1'-0"
 SF403



		STATE OF MAINE PUBLIC SCHOOL PROJECT	
		TITLE: PORTLAND PUBLIC SCHOOLS NEW FRED P. HALL ELEMENTARY SCHOOL LOCATION: 23 ORONO ROAD, PORTLAND, ME TITLE THIS DWG.: TRUSS 1 PROFILE AND DETAILS	
DRAWN BY: MJC CHECK BY: DNM	BY: NO. DATE: 03/17/17	DRAWING NO. SF403	SHEET NO. 107 OF 312