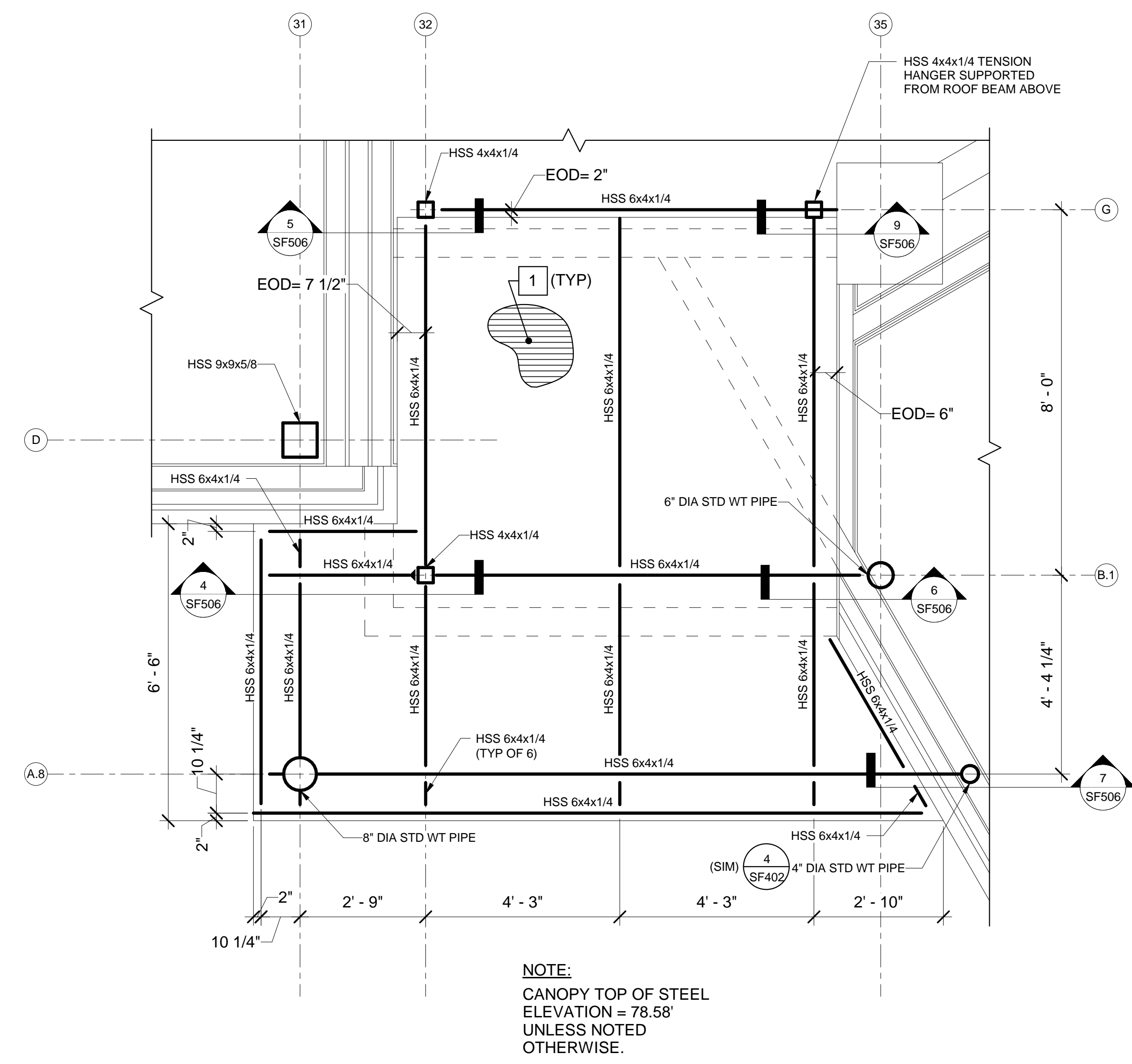
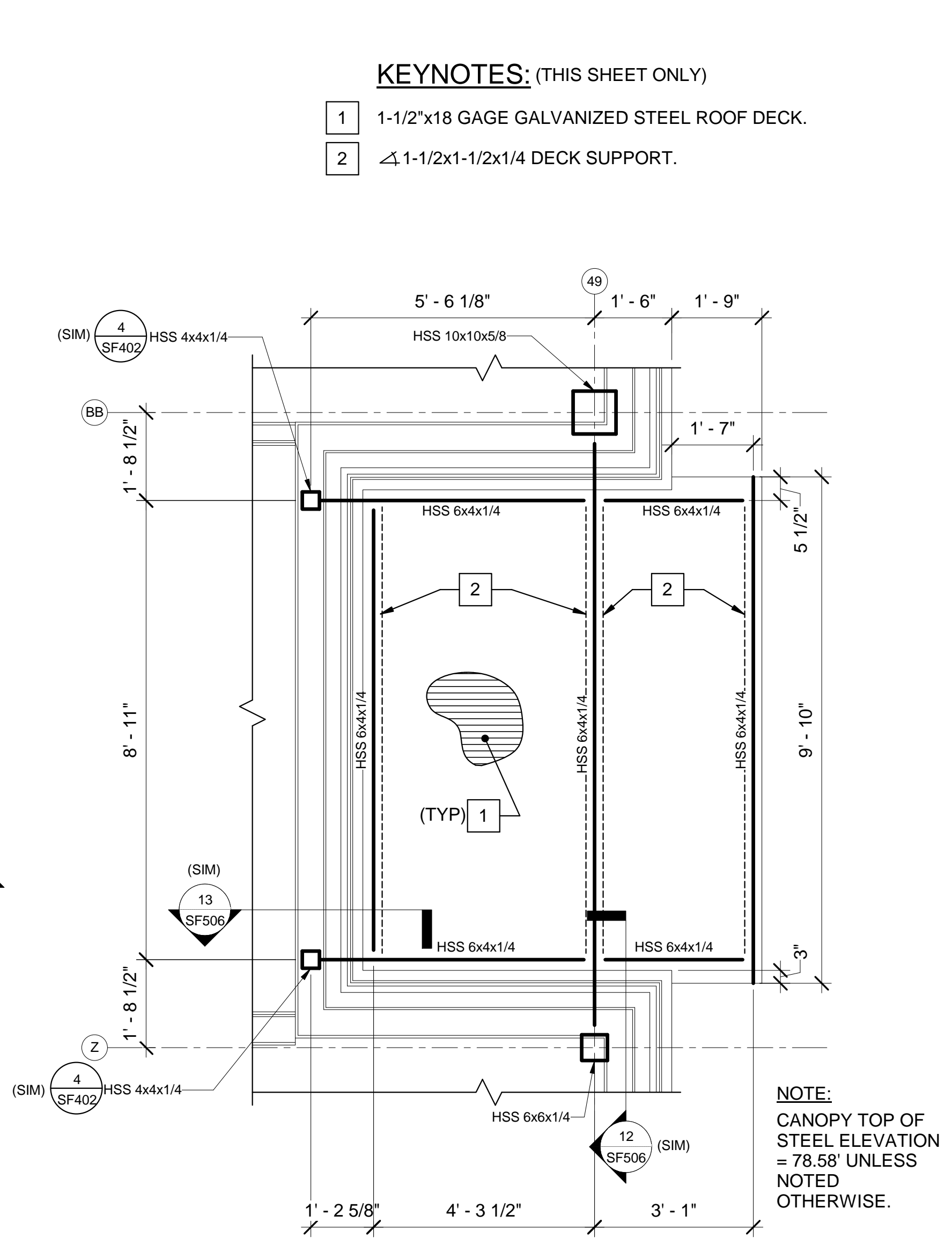


**1 ENLARGED CANOPY PLAN AT VESTIBULE A01**  
 SF104/SF402 SCALE: 3/8" = 1'-0"  
 PLAN NORTH

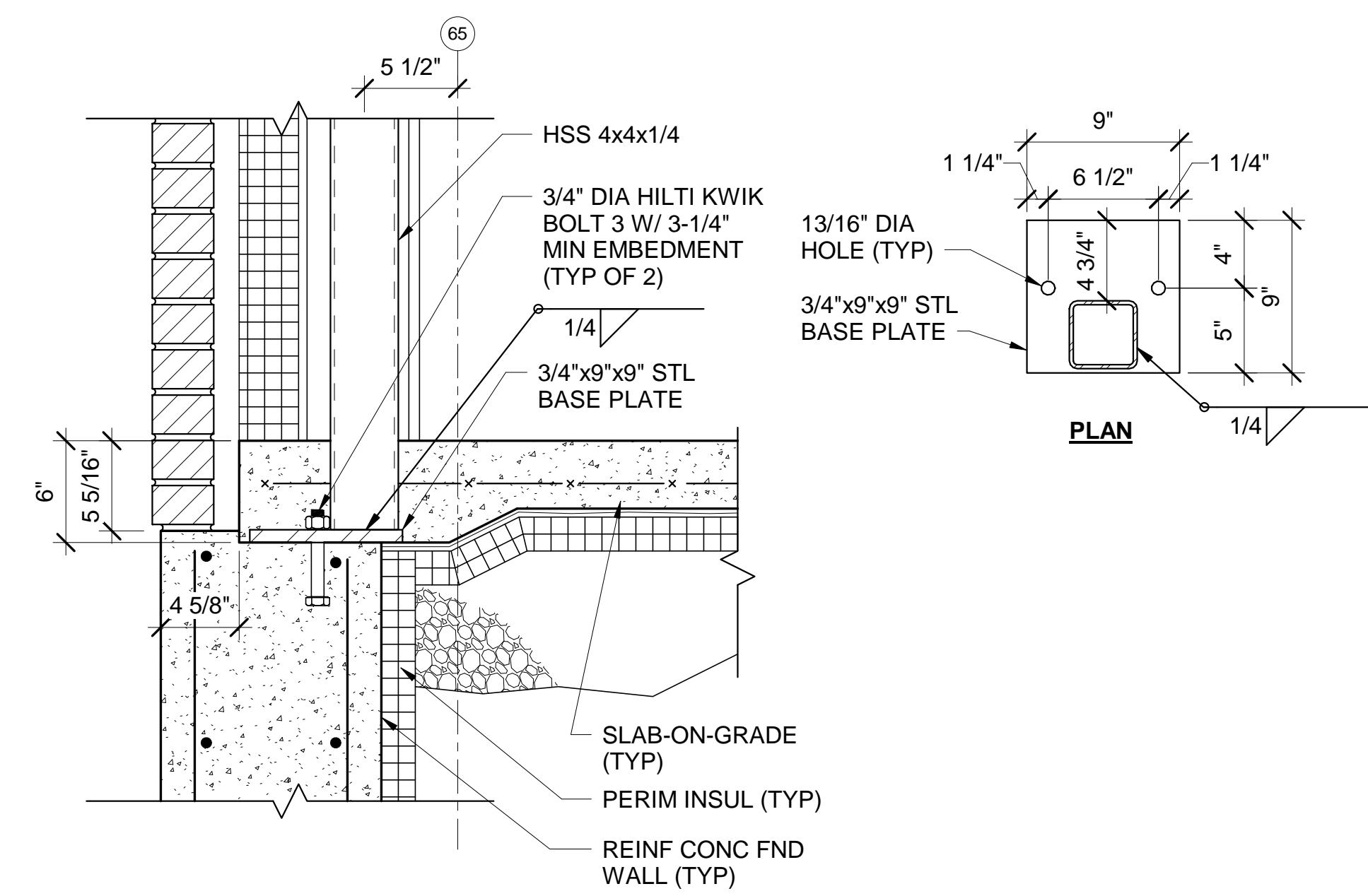


**2 ENLARGED CANOPY PLAN AT ENTRY A20**  
 SF104/SF402 SCALE: 1/2" = 1'-0"  
 PLAN NORTH

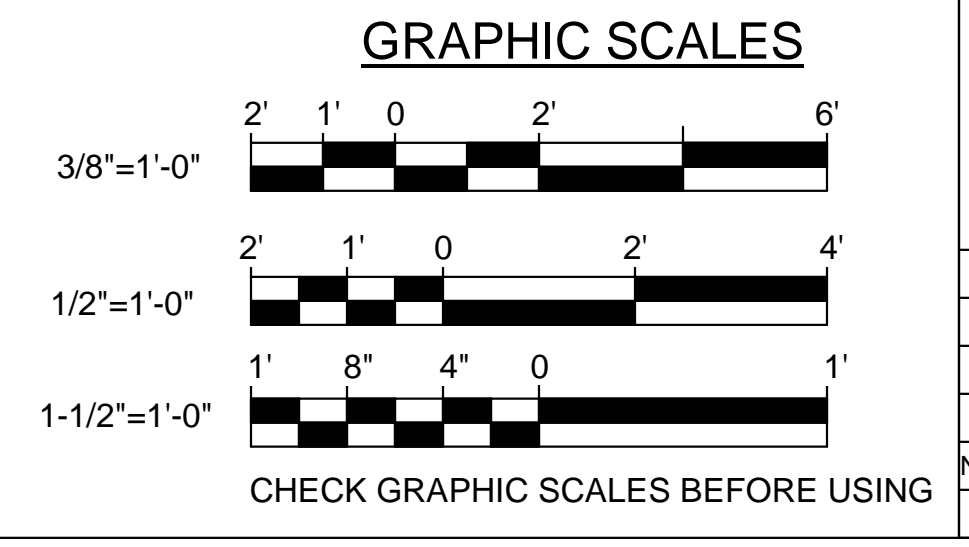


**3 ENLARGED CANOPY PLAN AT ENTRY A15**  
 SF104/SF402 SCALE: 1/2" = 1'-0"  
 PLAN NORTH

- KEYNOTES: (THIS SHEET ONLY)**
- 1 1-1/2"x18 GAGE GALVANIZED STEEL ROOF DECK.
  - 2  $\triangle$ 1-1/2"x1-1/2"x1/4 DECK SUPPORT.



**4 TYP HSS 4x4x1/4 CANOPY POST BASE PLATE DETAIL**  
 SF401, SF402 SCALE: 1 1/2" = 1'-0"



		<b>STATE OF MAINE</b> <b>PUBLIC SCHOOL PROJECT</b> TITLE: PORTLAND PUBLIC SCHOOLS NEW FRED P. HALL ELEMENTARY SCHOOL LOCATION: 23 ORONO ROAD, PORTLAND, ME TITLE THIS DWG: <b>ENLARGED CANOPY PLANS 2</b>
DRAWN BY: MJC CHECK BY: DNM	DATE: 03/17/17	<b>OAK POINT ASSOCIATES</b> SF402 SHEET NO. 106 OF 312