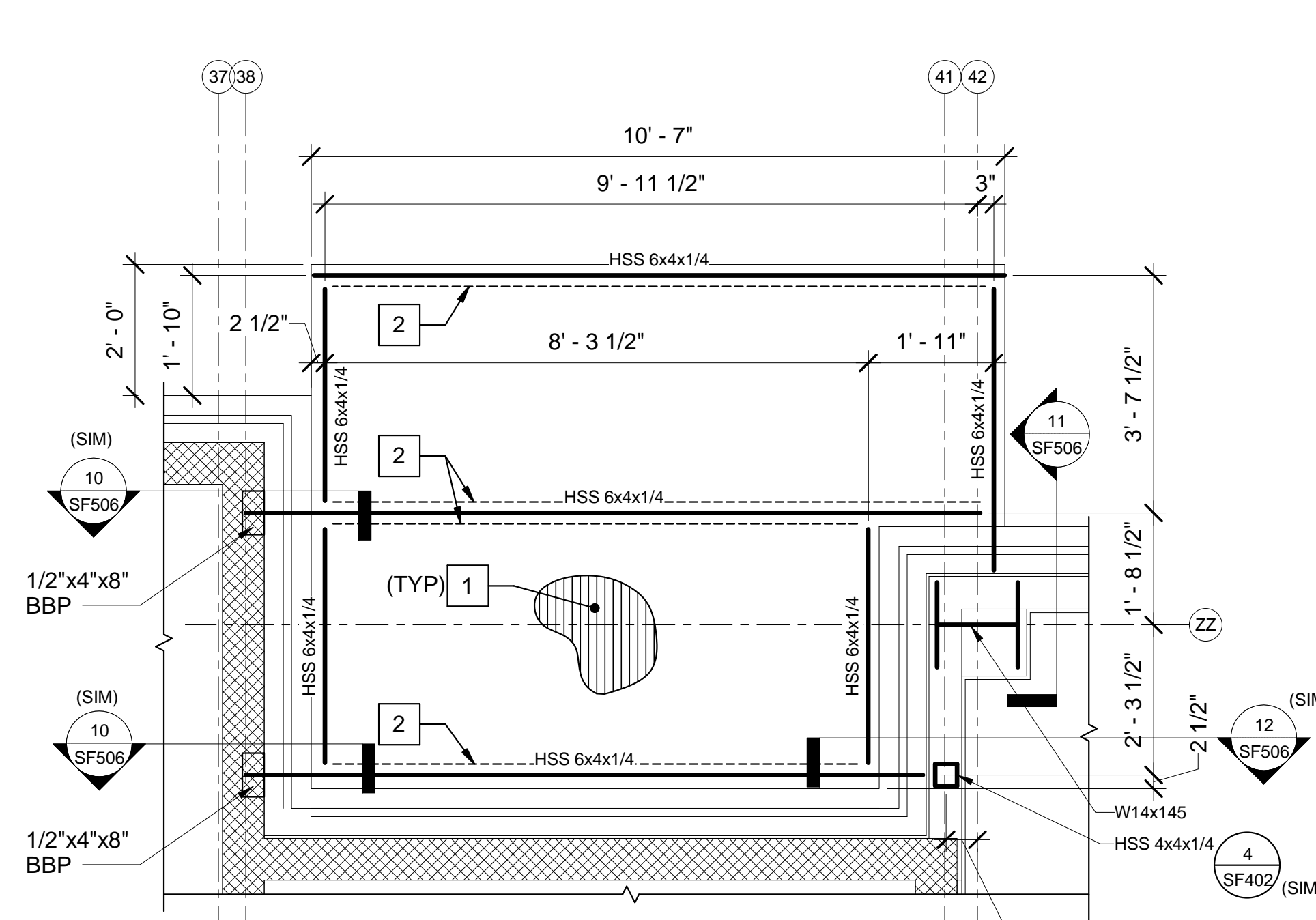
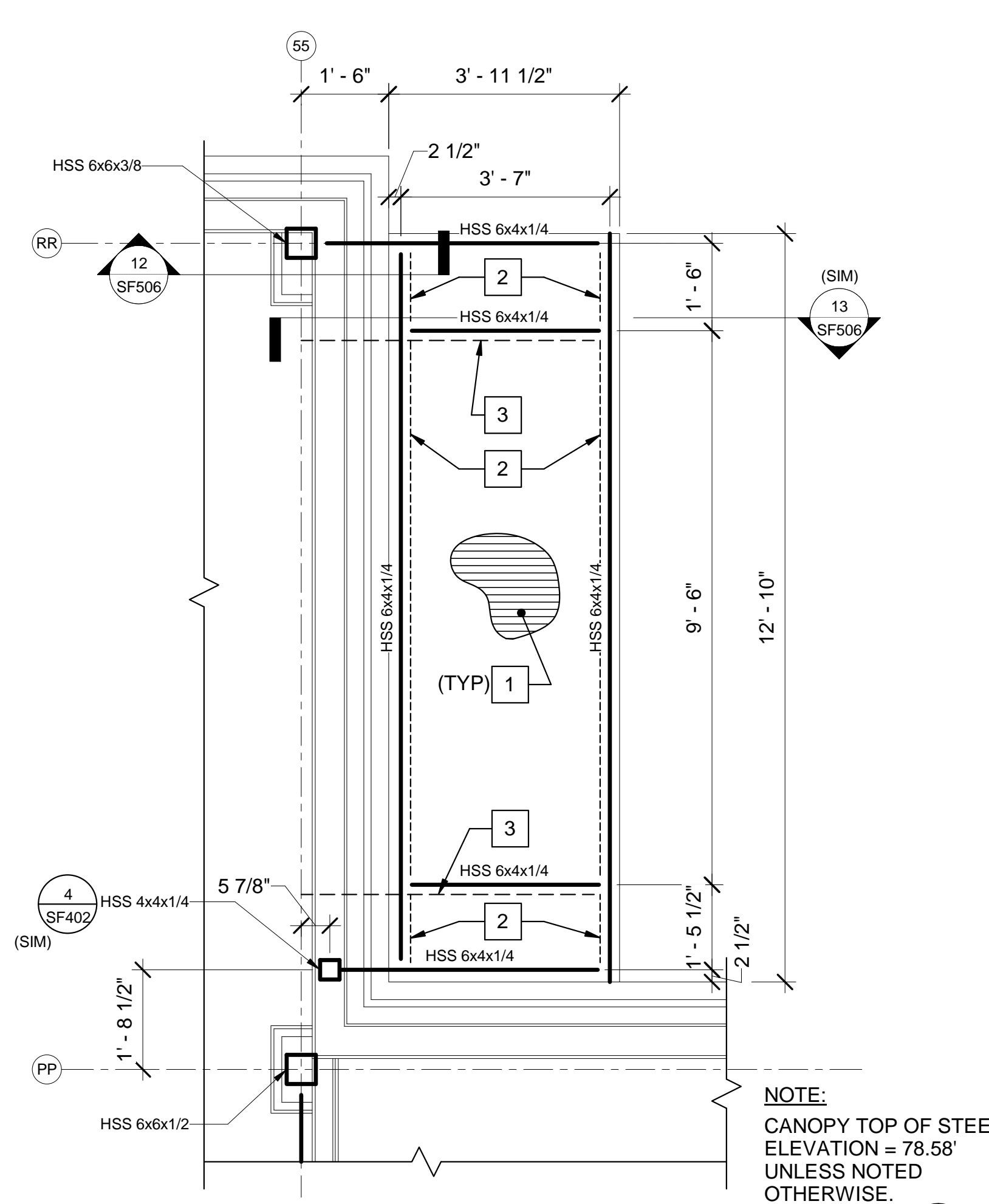


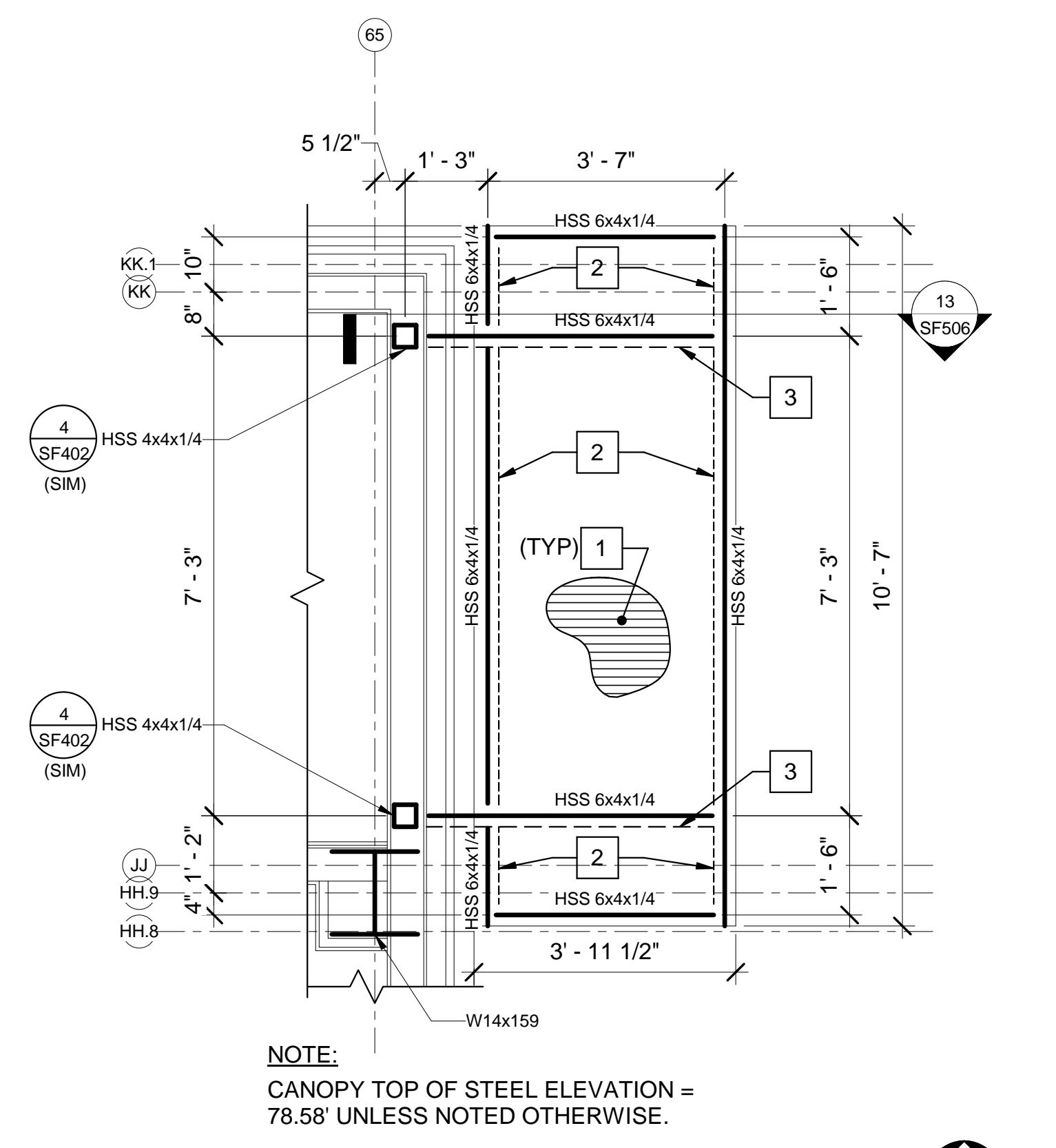
**1 ENLARGED CANOPY PLAN AT STAIR S03**  
 SF101 / SCALE: 1/2" = 1'-0"  
 PLAN NORTH



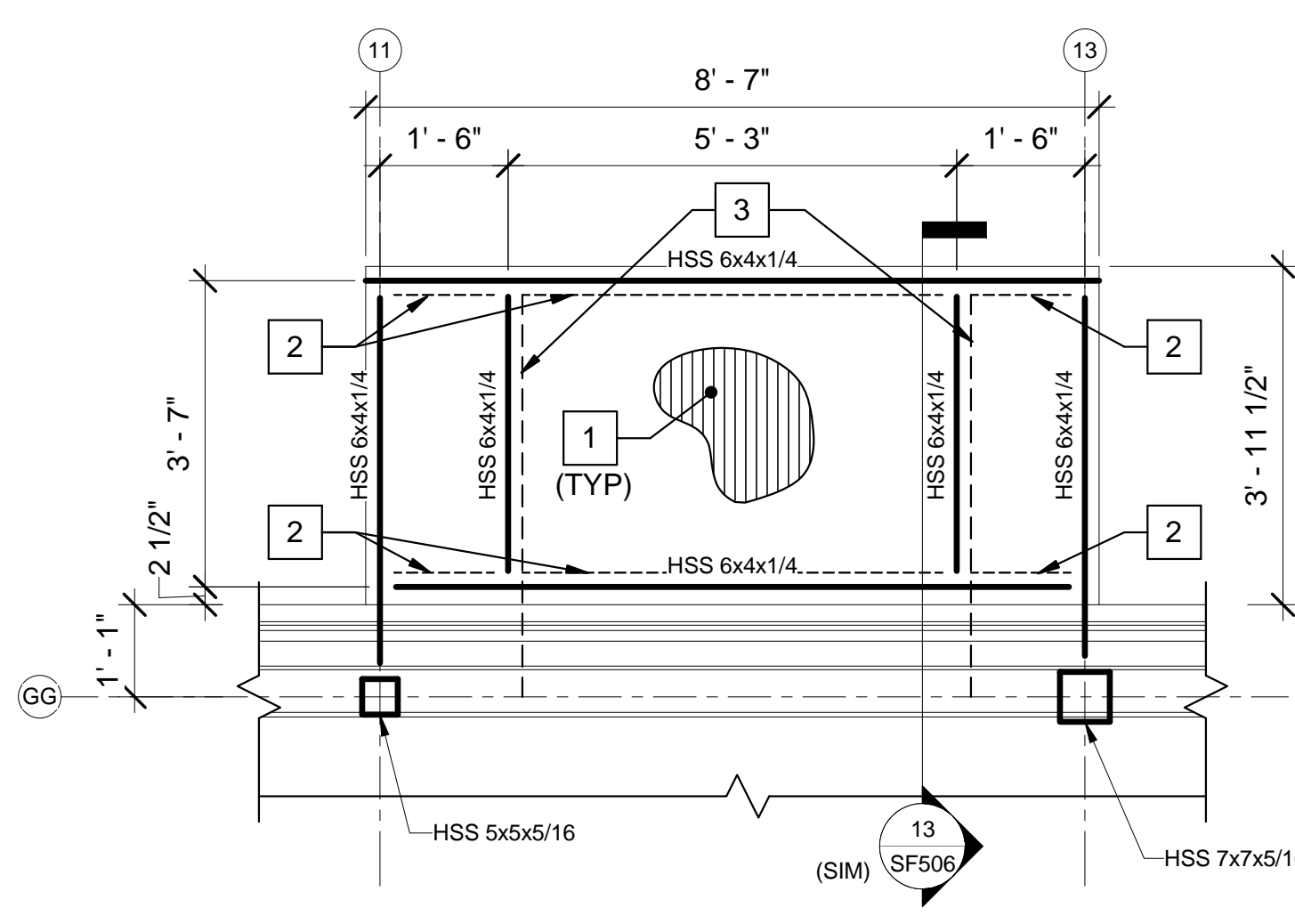
**2 ENLARGED CANOPY PLAN AT ENTRY C01**  
 SF401 / SCALE: 1/2" = 1'-0"  
 PLAN NORTH



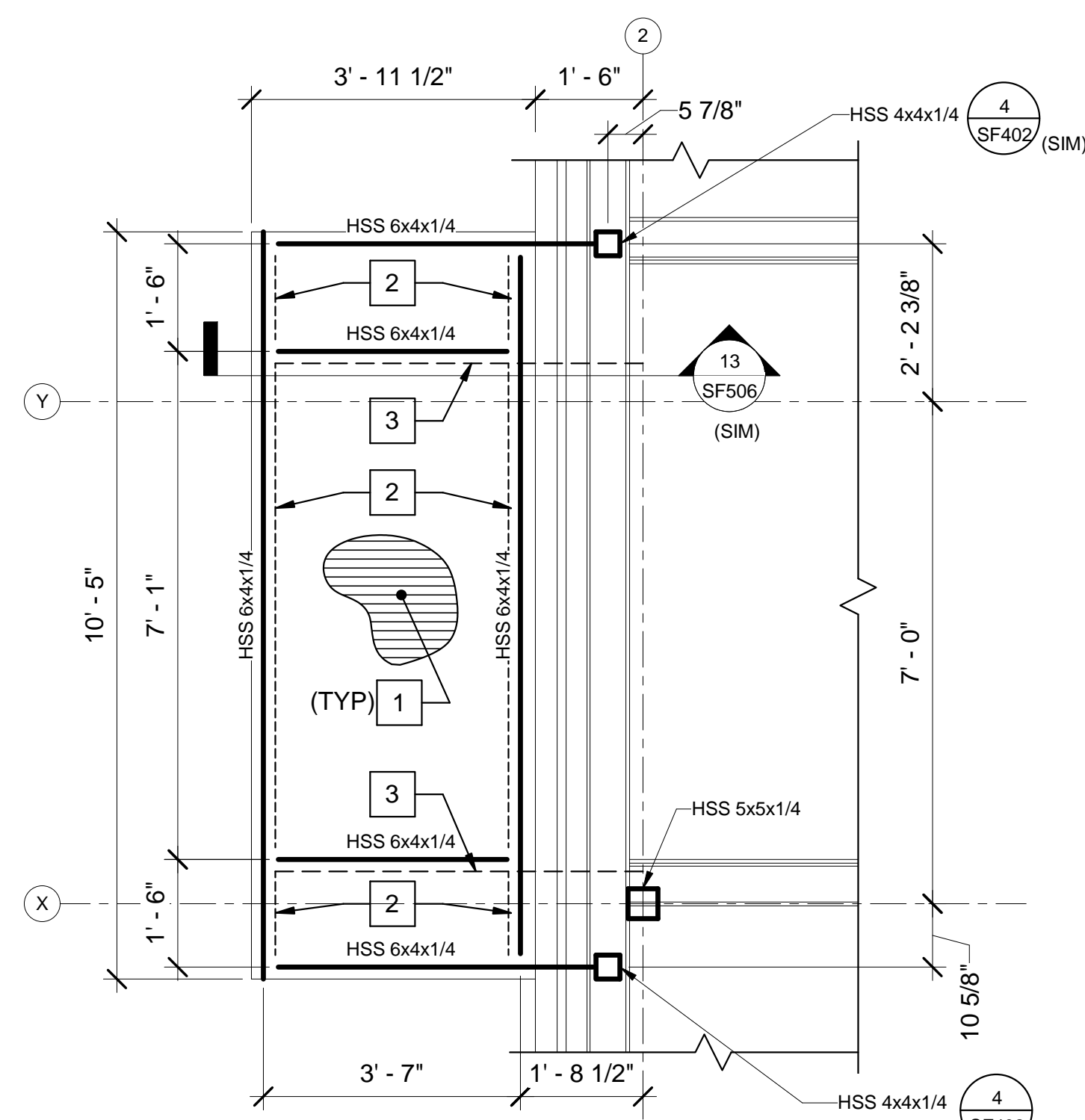
**3 ENLARGED CANOPY PLAN AT LIBRARY B19**  
 SF102 / SF401 / SCALE: 1/2" = 1'-0"  
 PLAN NORTH



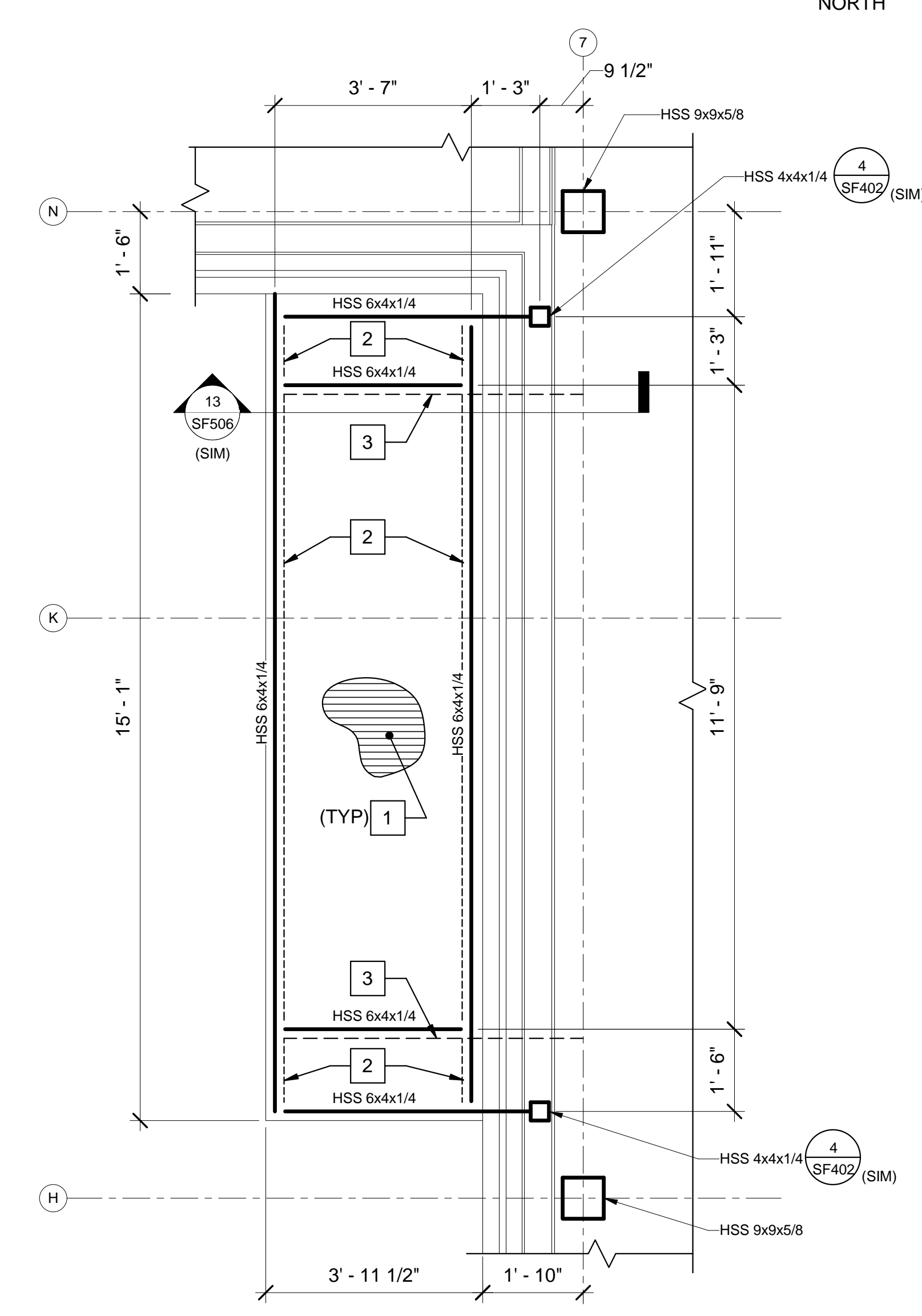
**4 ENLARGED CANOPY PLAN AT ENTRY B01**  
 SF102 / SF401 / SCALE: 1/2" = 1'-0"  
 PLAN NORTH



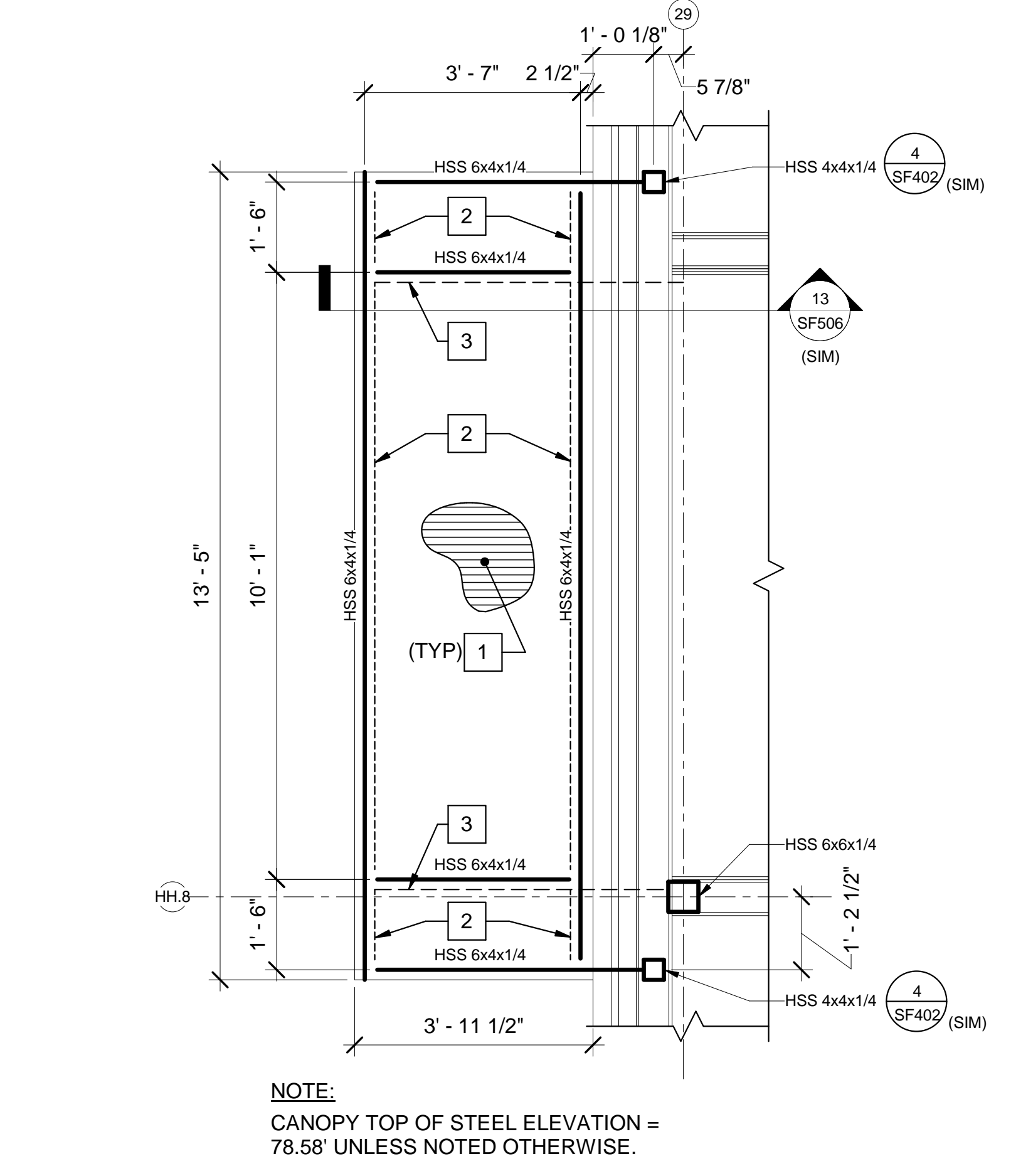
**5 ENLARGED CANOPY PLAN AT CAFETERIA A38**  
 SF104 / SF401 / SCALE: 1/2" = 1'-0"  
 (SIMILAR AT COLUMN GRID 24 AND 26.5)  
 PLAN NORTH



**6 ENLARGED CANOPY PLAN AT BOILER A33**  
 SF104 / SF401 / SCALE: 1/2" = 1'-0"  
 PLAN NORTH

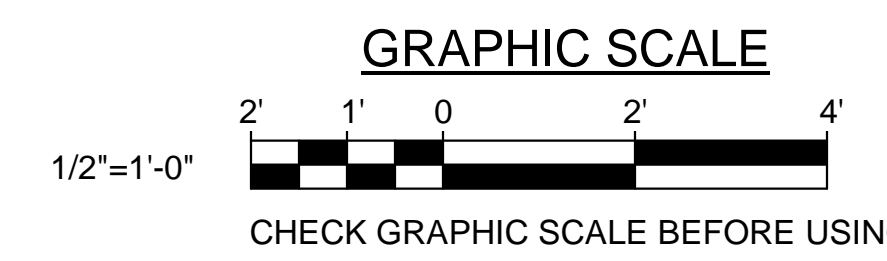


**7 ENLARGED CANOPY PLAN AT GYM A30**  
 SF104 / SF401 / SCALE: 1/2" = 1'-0"  
 PLAN NORTH



**8 ENLARGED CANOPY PLAN AT ENTRY B12**  
 SF102 / SF401 / SCALE: 1/2" = 1'-0"  
 PLAN NORTH

- KEYNOTES: (THIS SHEET ONLY)**
- 1 1-1/2"x18 GAGE GALVANIZED STEEL ROOF DECK.
  - 2  $\Delta$  1-1/2x1-1/2x1/4 DECK SUPPORT.
  - 3 1-3/8" DIAMETER GALVANIZED STEEL ROD WITH NUMBER 3 CLEVIS AND PIN AT EACH END



STATE OF MAINE PUBLIC SCHOOL PROJECT	
TITLE PORTLAND PUBLIC SCHOOLS NEW FRED P. HALL ELEMENTARY SCHOOL	
LOCATION 23 ORONO ROAD, PORTLAND, ME	
TITLE THIS DWG. ENLARGED CANOPY PLANS 1	
DRAWN BY: MJC	DRAWING NO. SF401
CHECK BY: DNM	SHEET NO.
NO. DATE	DESCRIPTION
BY NO.	REVISIONS
DATE 03/17/17	