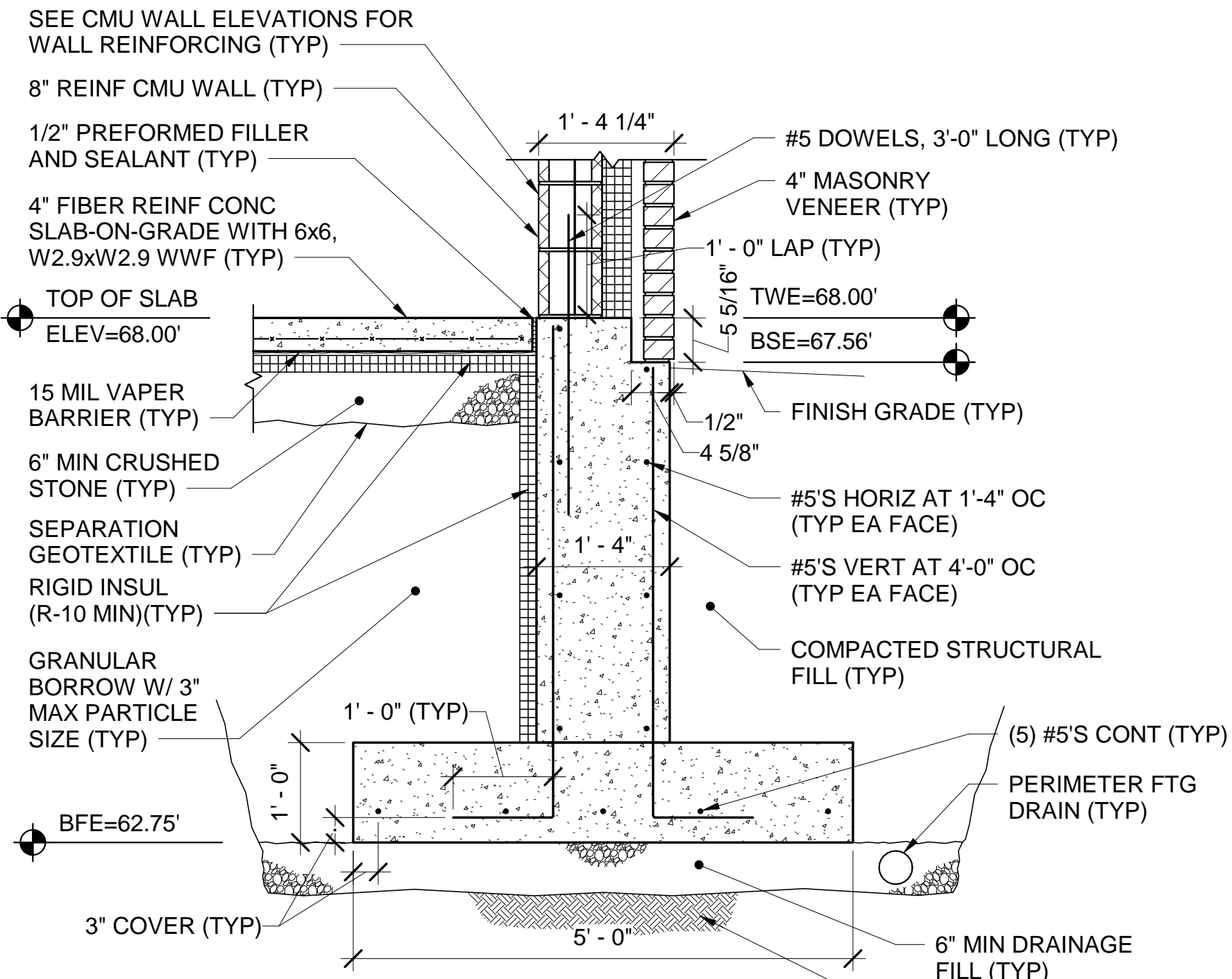
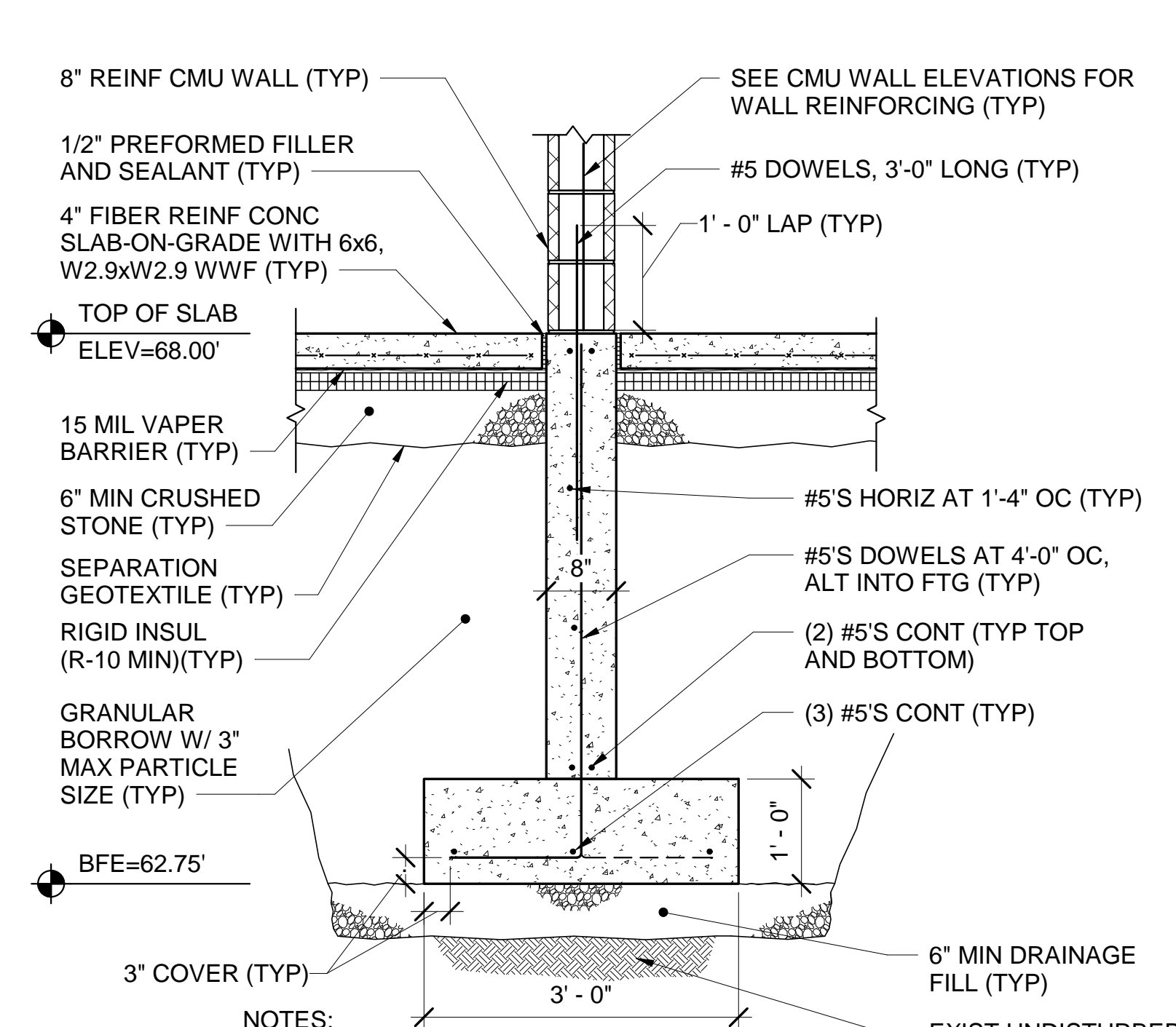


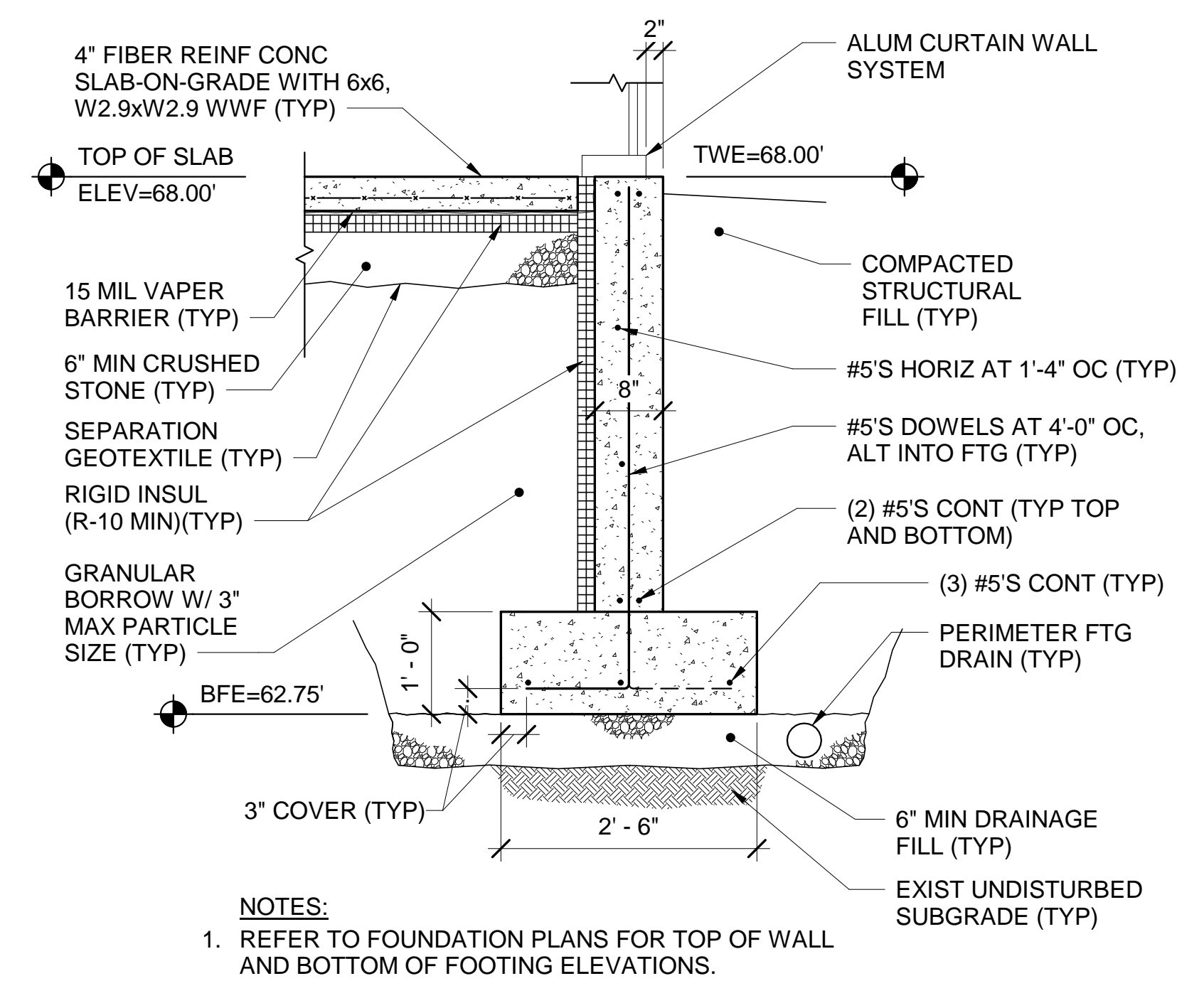
**1 1'-1" FND WALL SECTION**  
 SB501/ SCALE: 3/4" = 1'-0"



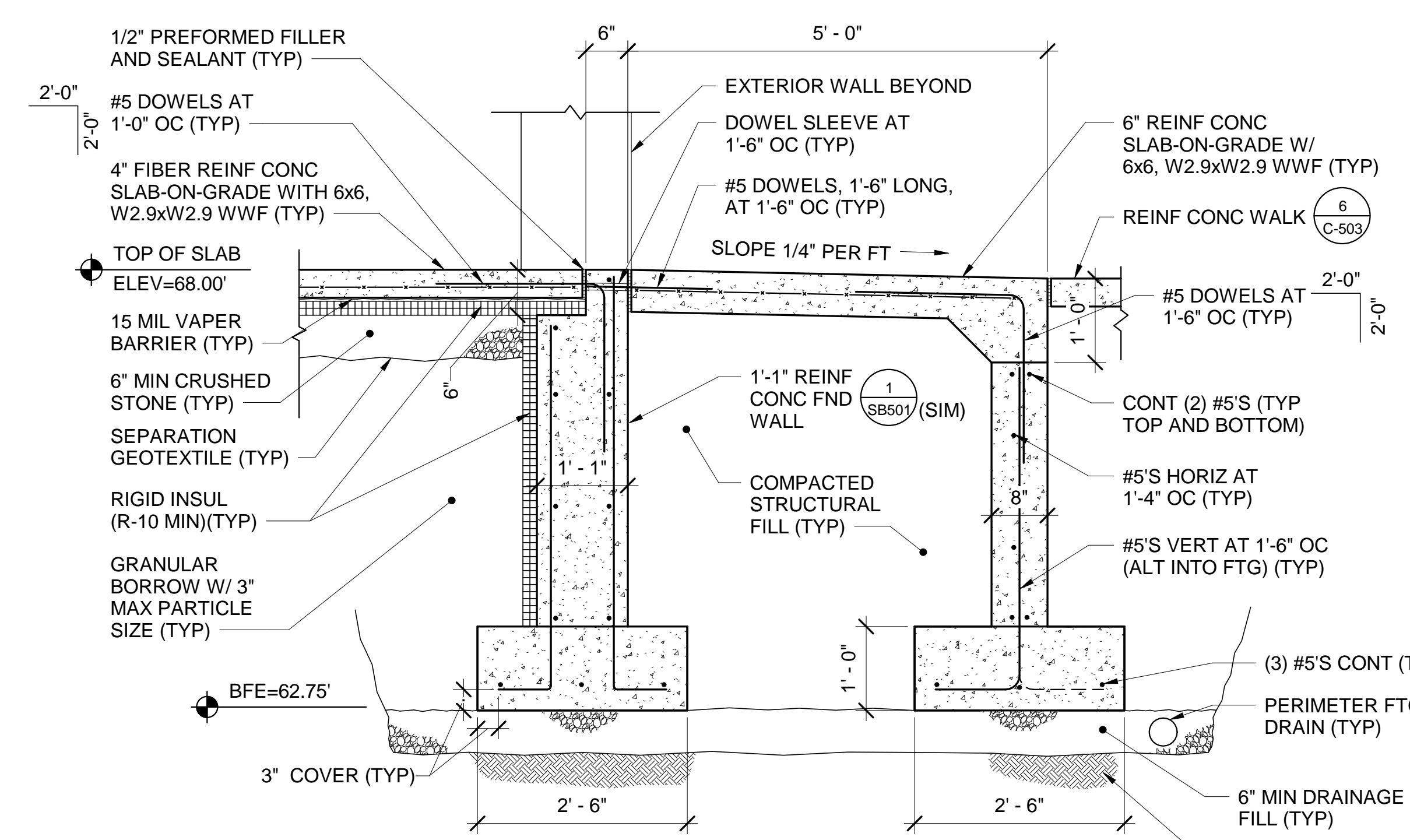
**2 1'-4" FND WALL SECTION**  
 SB501/ SCALE: 3/4" = 1'-0"



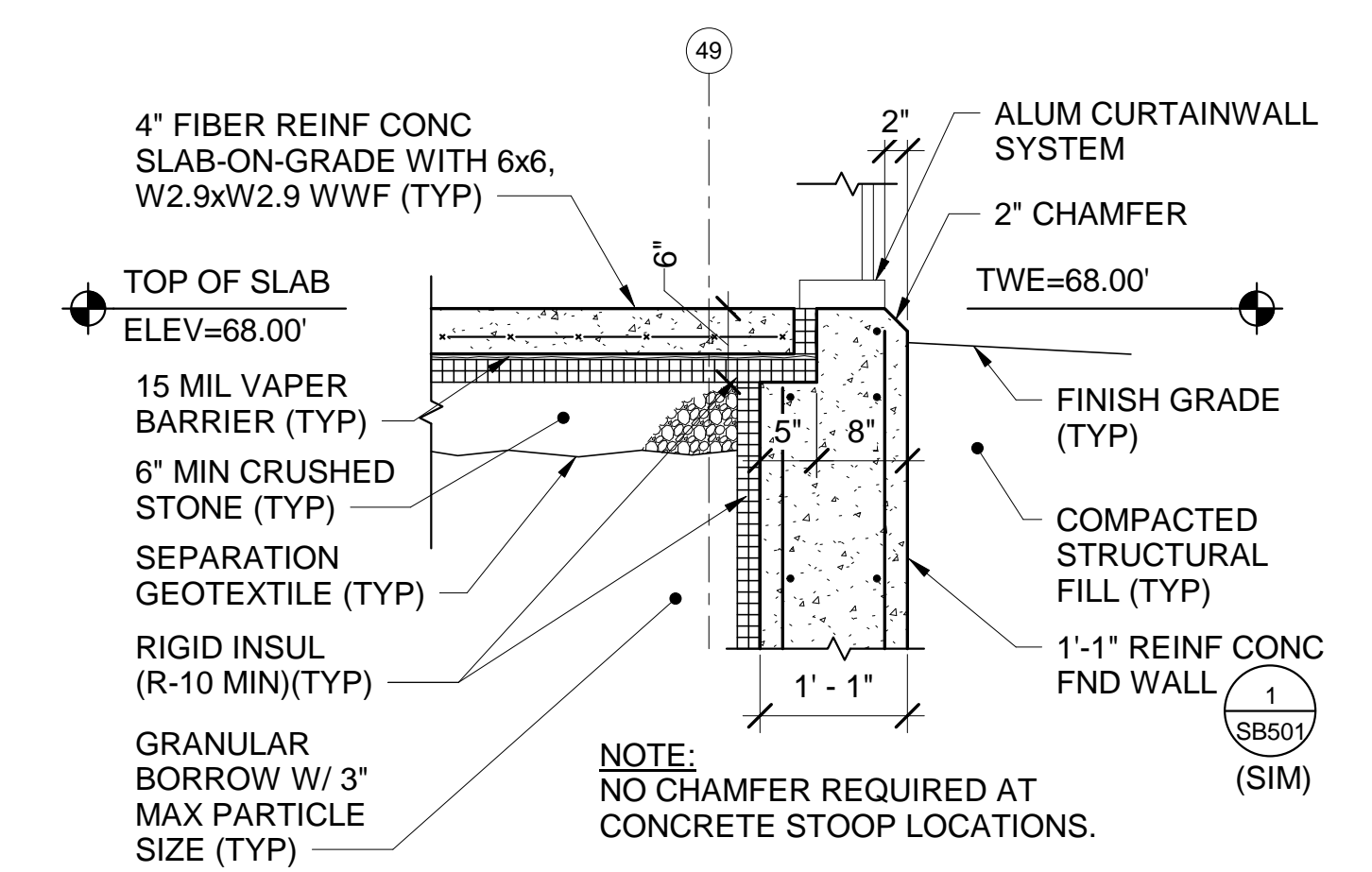
**3 8" FND WALL SECTION**  
 SB501/ SCALE: 3/4" = 1'-0"



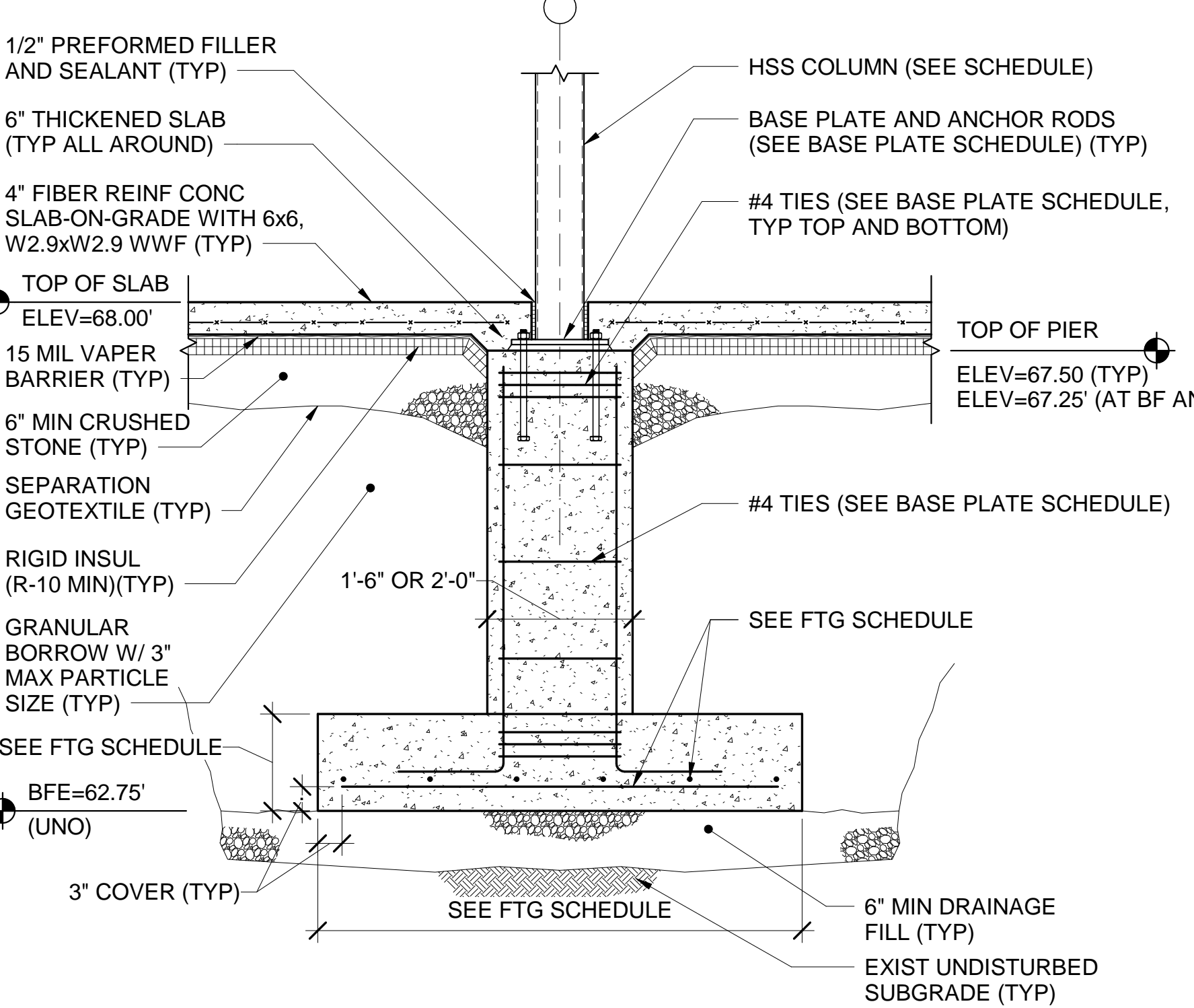
**4 8" FND WALL SECTION AT CURTAIN WALL**  
 SB501/ SCALE: 3/4" = 1'-0"



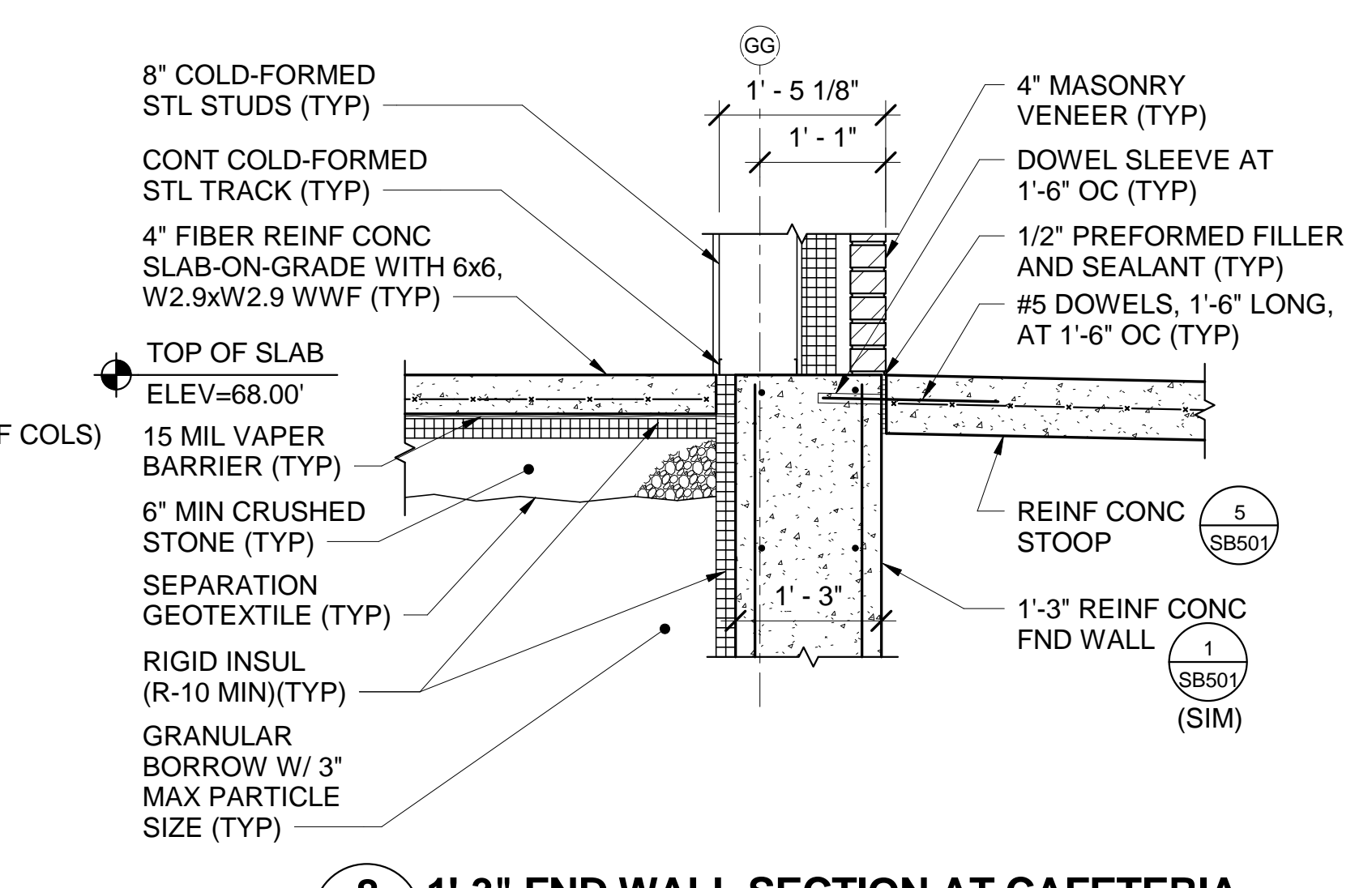
**5 TYP REIN CONC STOOP DETAIL**  
 SB501/ SCALE: 3/4" = 1'-0"



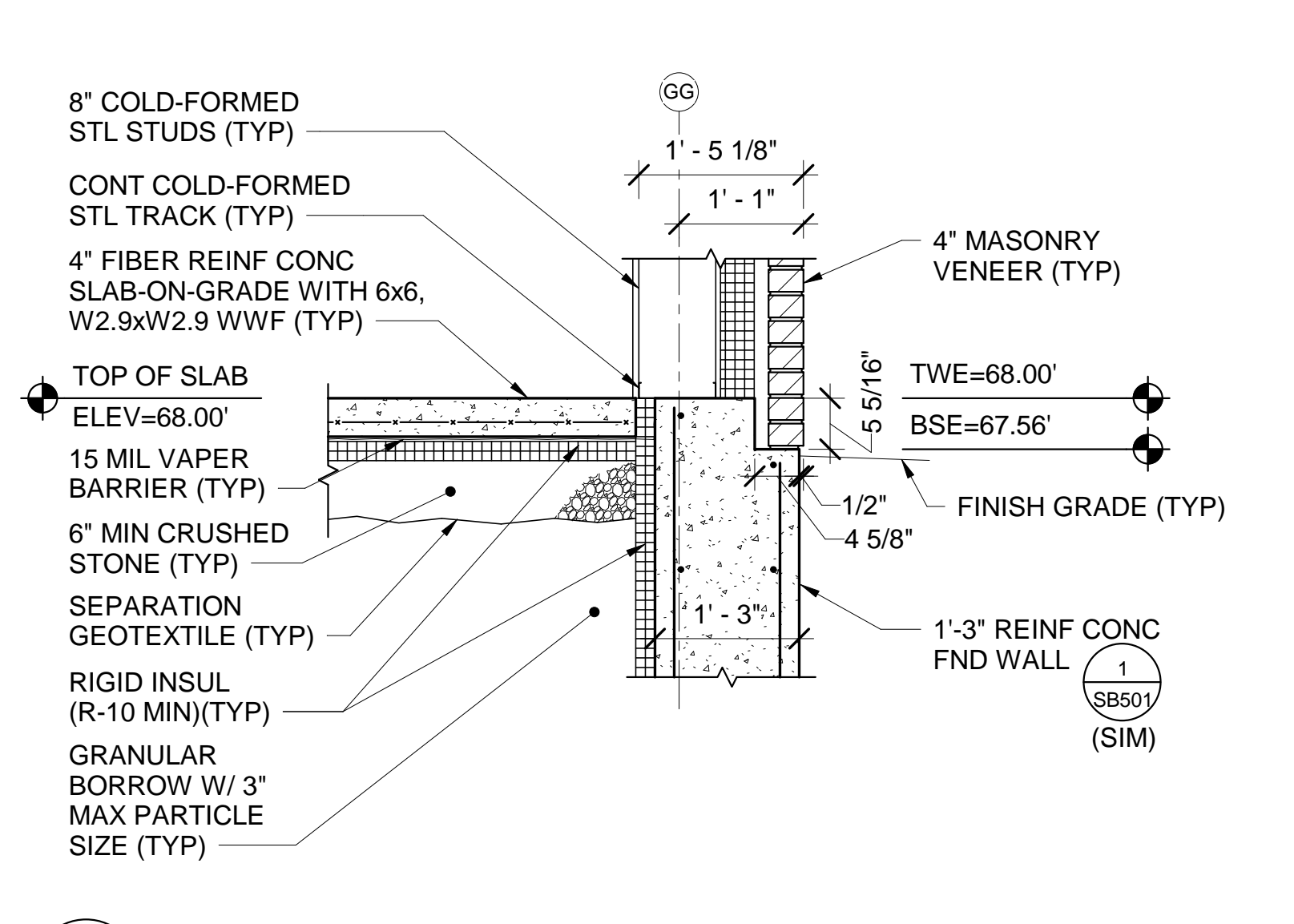
**6 1'-1" FND WALL SECTION AT CURTAINWALL**  
 SB501/ SCALE: 3/4" = 1'-0"



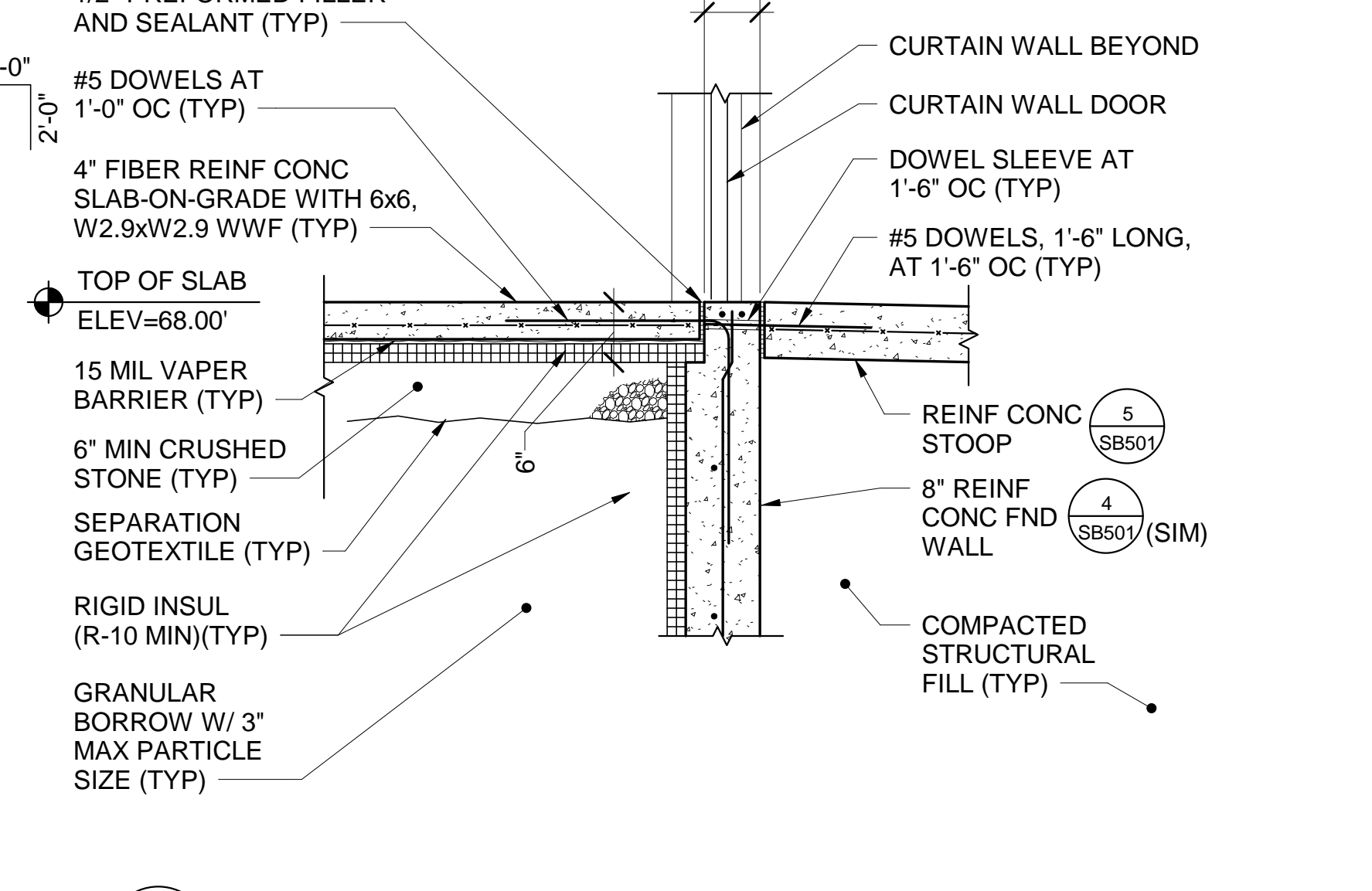
**7 TYP INTERIOR SPREAD FTG/PIER DETAIL**  
 SB501/ SCALE: 3/4" = 1'-0"



**8 1'-3" FND WALL SECTION AT CAFETERIA**  
 SB501/ SCALE: 3/4" = 1'-0"



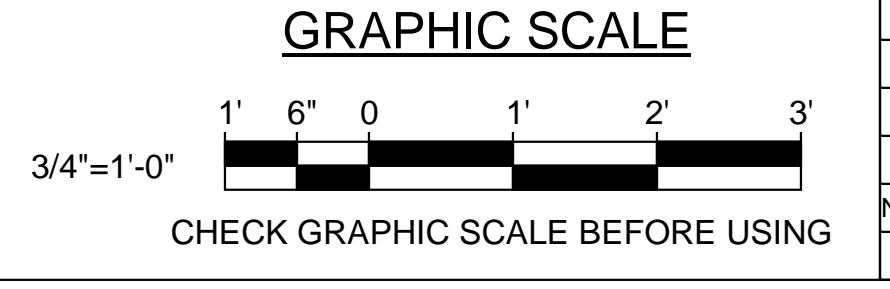
**9 1'-3" FND WALL SECTION W/ BRICK SHELF AT CAFETERIA**  
 SB501/ SCALE: 3/4" = 1'-0"



**10 8" FND WALL SECTION AT CURTAIN WALL DOOR**  
 SB501/ SCALE: 3/4" = 1'-0"

**DRAWING NOTES:**

- RADIANT HEAT TUBING NOT SHOWN FOR CLARITY.
- REFER TO DETAIL 6/C508 FOR FOUNDATION PREPARATION AND DRAIN DETAIL.



|   |                       |   |
|---|-----------------------|---|
|   |                       | <p><b>STATE OF MAINE</b><br/> <b>PUBLIC SCHOOL PROJECT</b></p> <p>TITLE: PORTLAND PUBLIC SCHOOLS<br/>         NEW FRED P. HALL ELEMENTARY SCHOOL<br/>         LOCATION: 23 ORONO ROAD, PORTLAND, ME</p> <p>TITLE THIS DWG: FOUNDATION DETAILS 1</p> |
| <p>DRAWN BY: MJC<br/>         CHECK BY: DNM</p> | <p>DATE: 03/17/17</p> | <p>OAK POINT ASSOCIATES<br/>         DRAWING NO. SB501<br/>         SHEET NO. 94 OF 312</p>   |