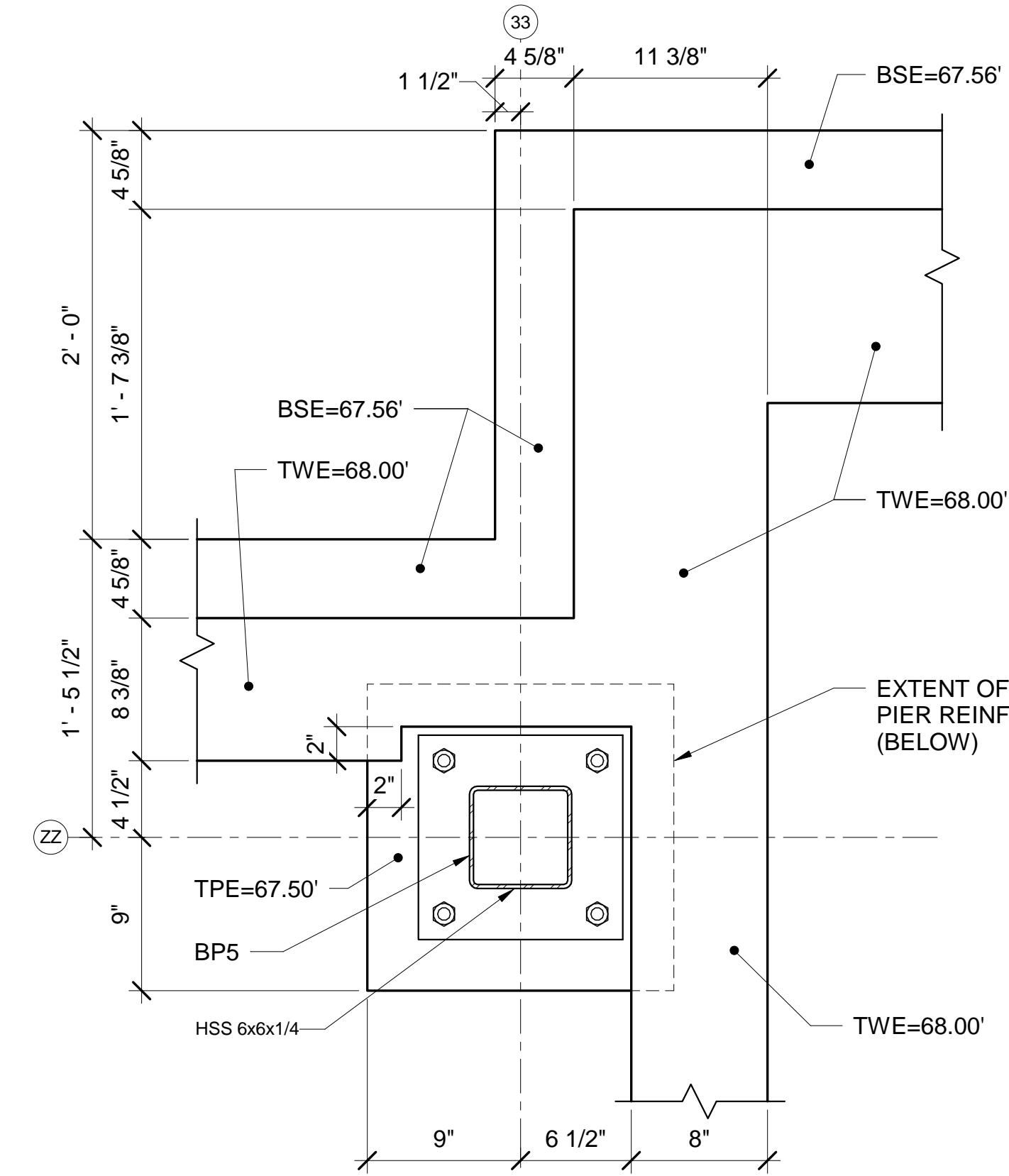
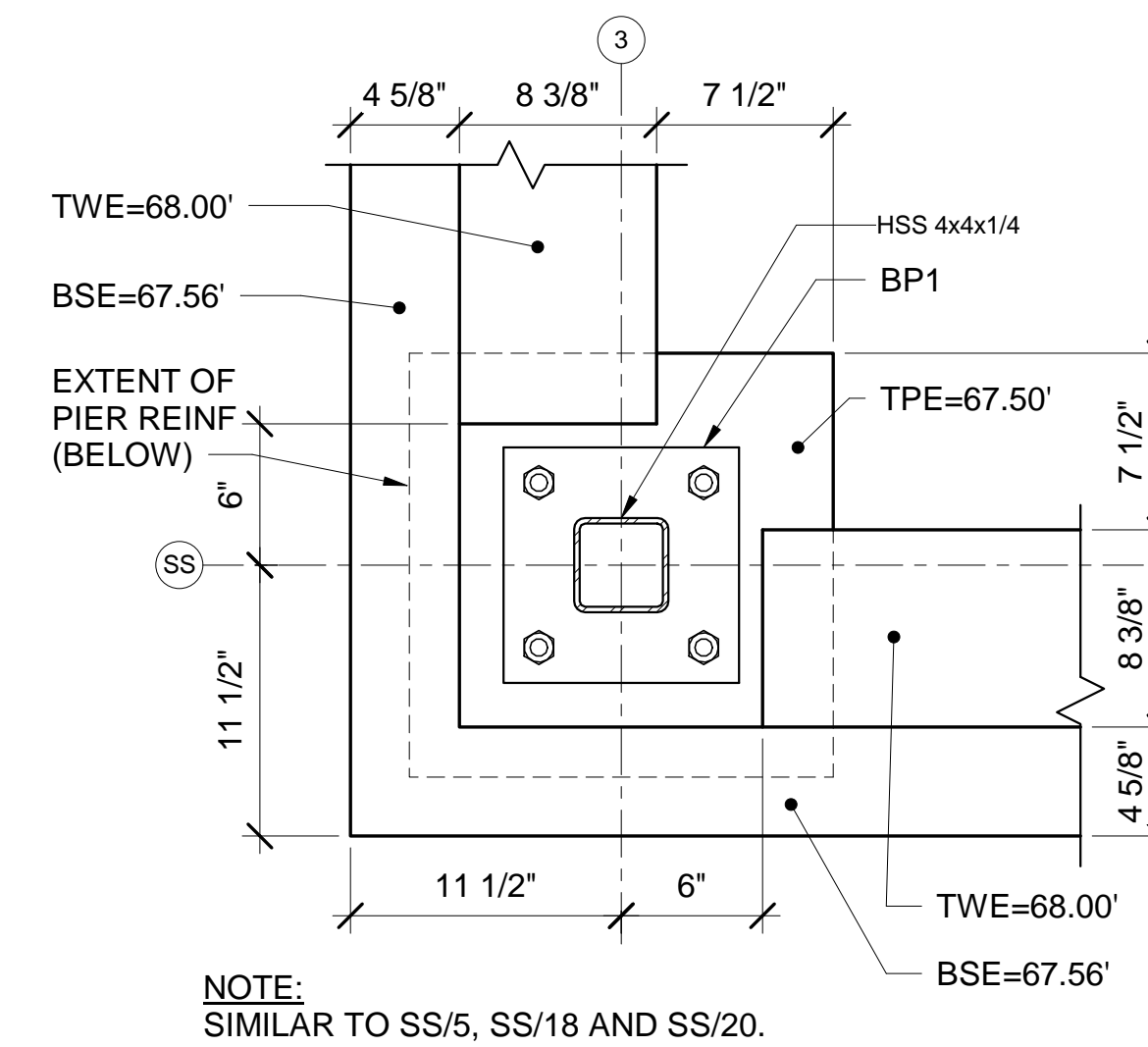


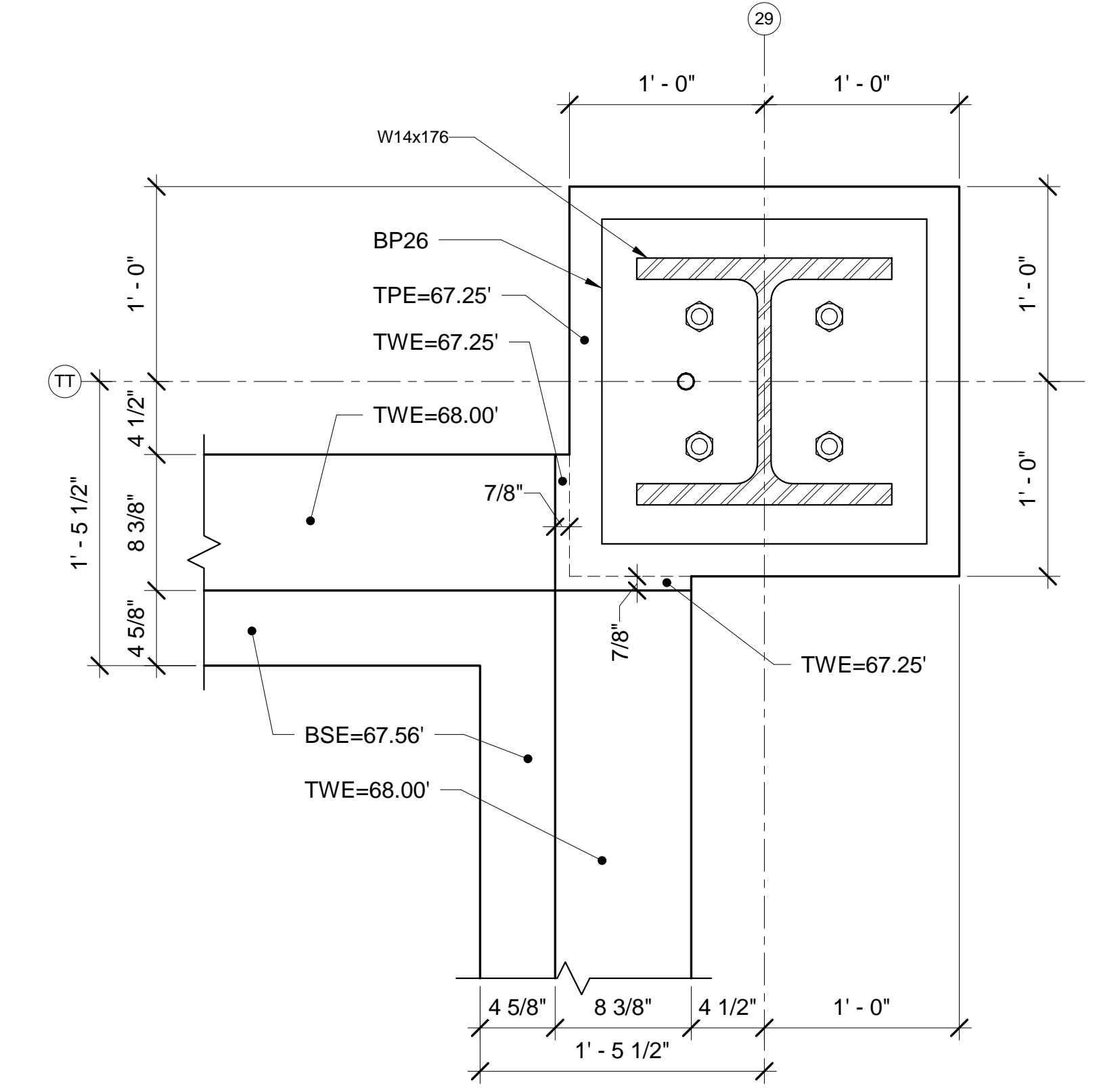
**1 ENLARGED PIER PLAN AT COL LINE EE/61**  
 SB104/SB406 SCALE: 1 1/2" = 1'-0"



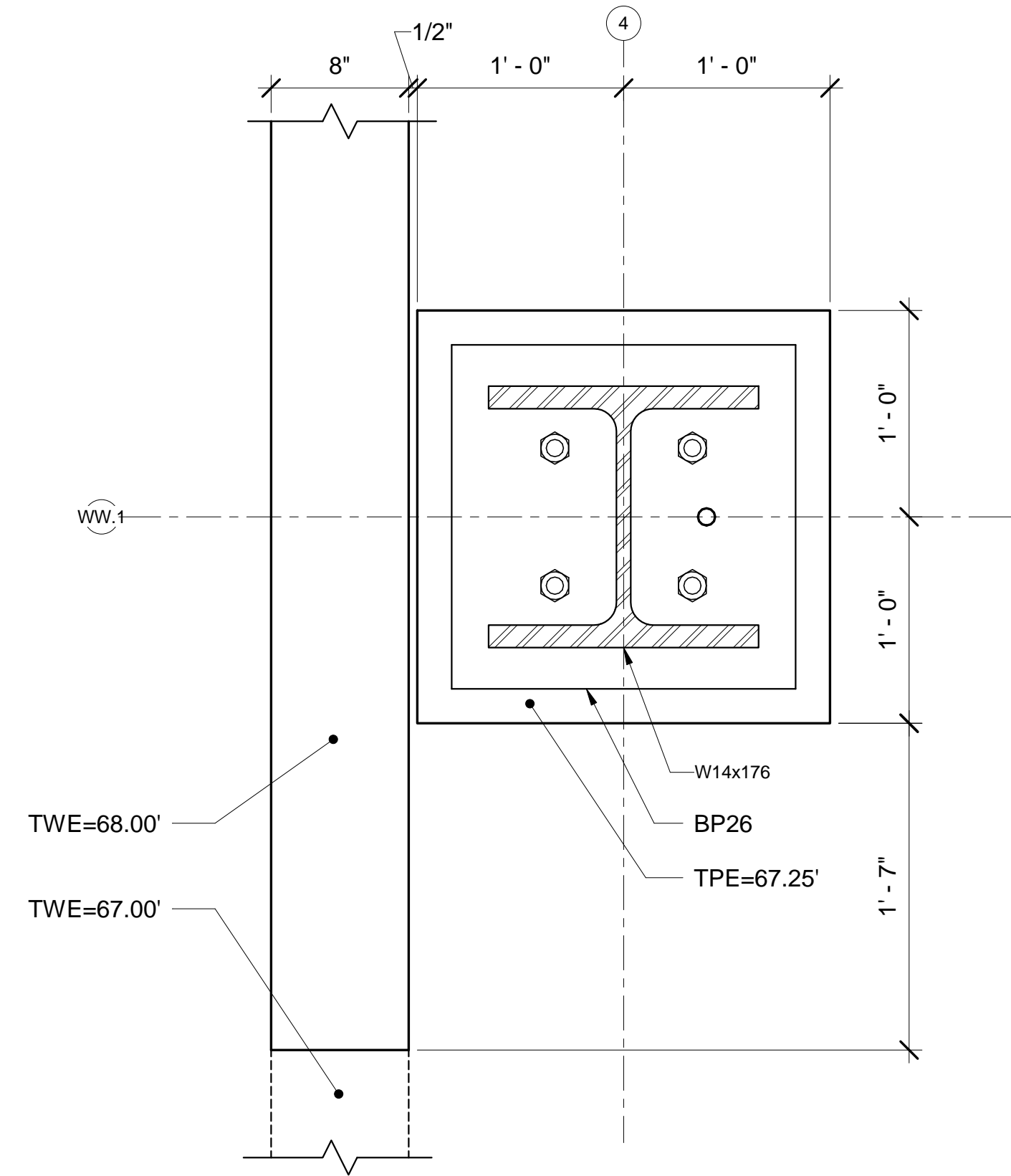
**2 ENLARGED PIER PLAN AT COL LINE ZZ/33**  
 SB104/SB406 SCALE: 1 1/2" = 1'-0"



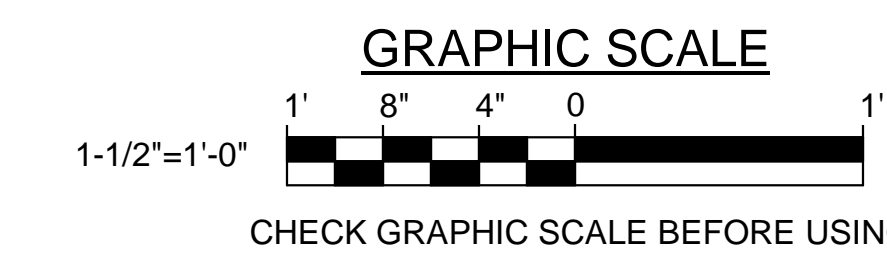
**3 ENLARGED PIER PLAN AT COL LINE SS/3**  
 SB104/SB406 SCALE: 1 1/2" = 1'-0"



**4 ENLARGED PIER PLAN AT COL LINE TT/29**  
 SB104/SB406 SCALE: 1 1/2" = 1'-0"



**5 ENLARGED PIER PLAN AT COL LINE WW.1/4**  
 SB104/SB406 SCALE: 1 1/2" = 1'-0"



STATE OF MAINE PUBLIC SCHOOL PROJECT	
TITLE PORTLAND PUBLIC SCHOOLS NEW FRED P. HALL ELEMENTARY SCHOOL	
LOCATION 23 ORONO ROAD, PORTLAND, ME	
TITLE THIS DWG. ENLARGED PIER PLANS 3	
DRAWN BY: MJC	CHECK BY: DNM
NO. DATE	DESCRIPTION
BY	NO.
DATE	03/17/17
DRAWING NO. SB406	
SHEET NO. 93 OF 312	