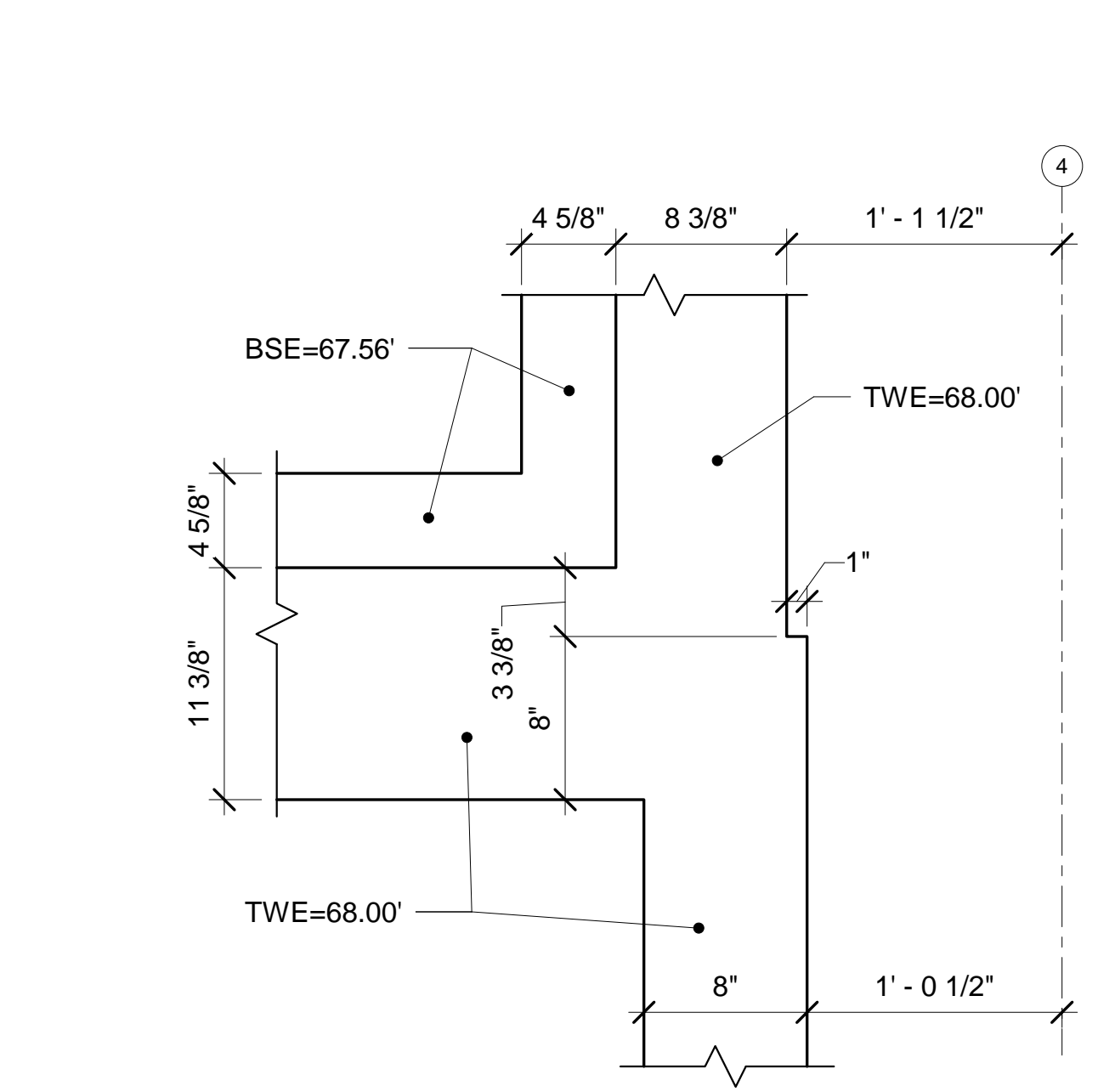


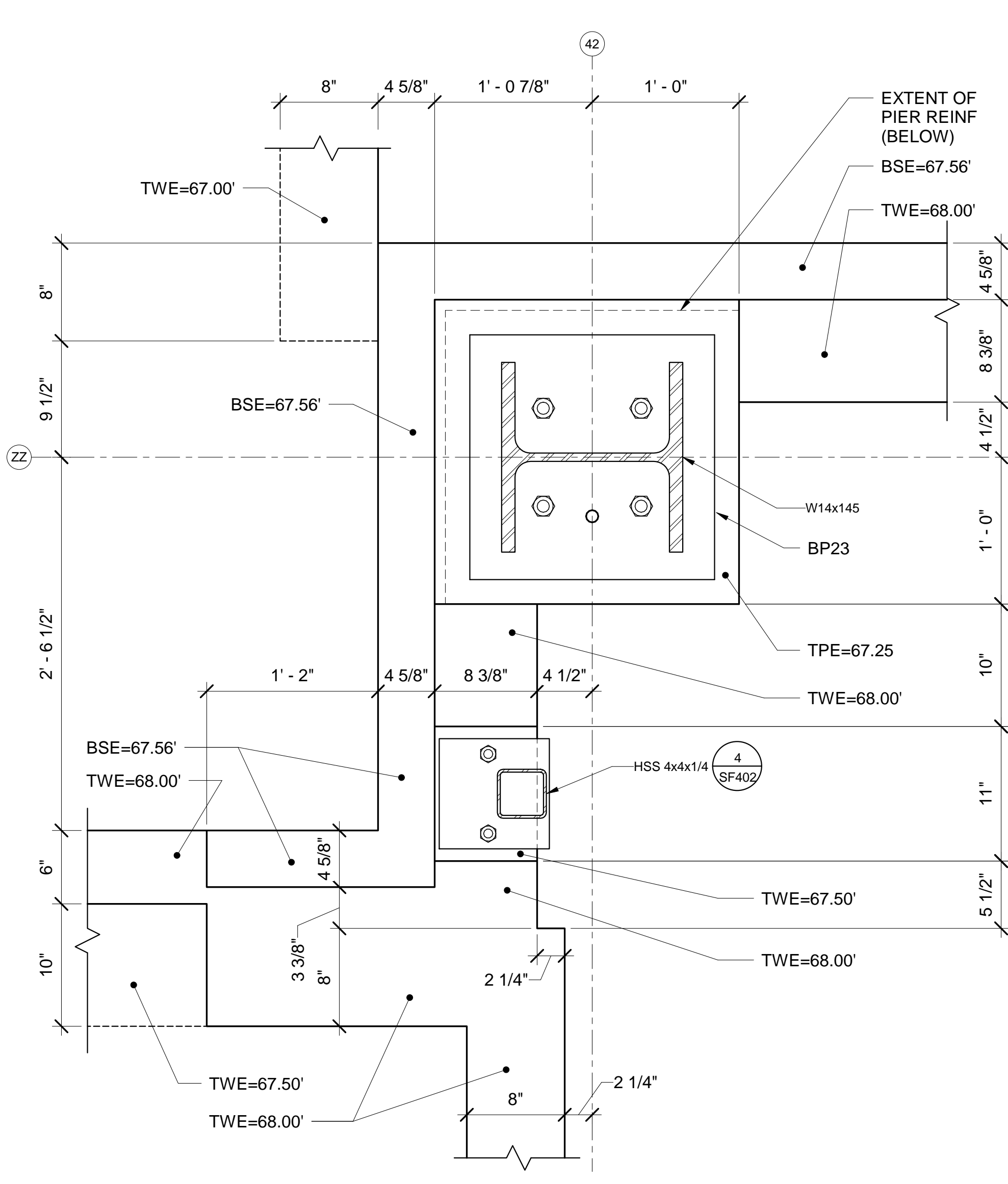
1 ENLARGED PIER PLAN AT COL LINE YY/4

SB405 SCALE: 1 1/2" = 1'-0"



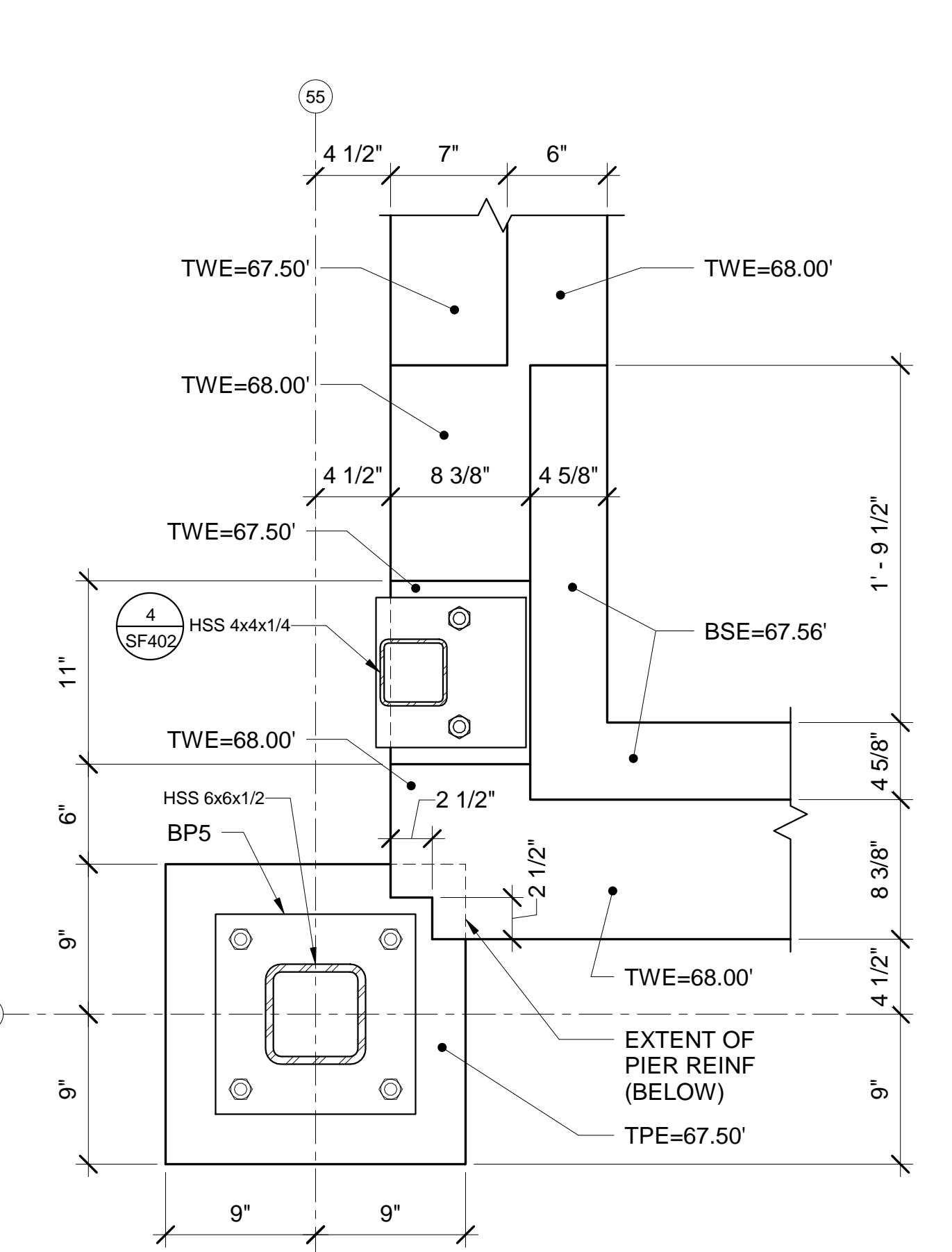
2 ENLARGED FND WALL PLAN NEAR COL LINE 4

SB104 SB405 SCALE: 1 1/2" = 1'-0"



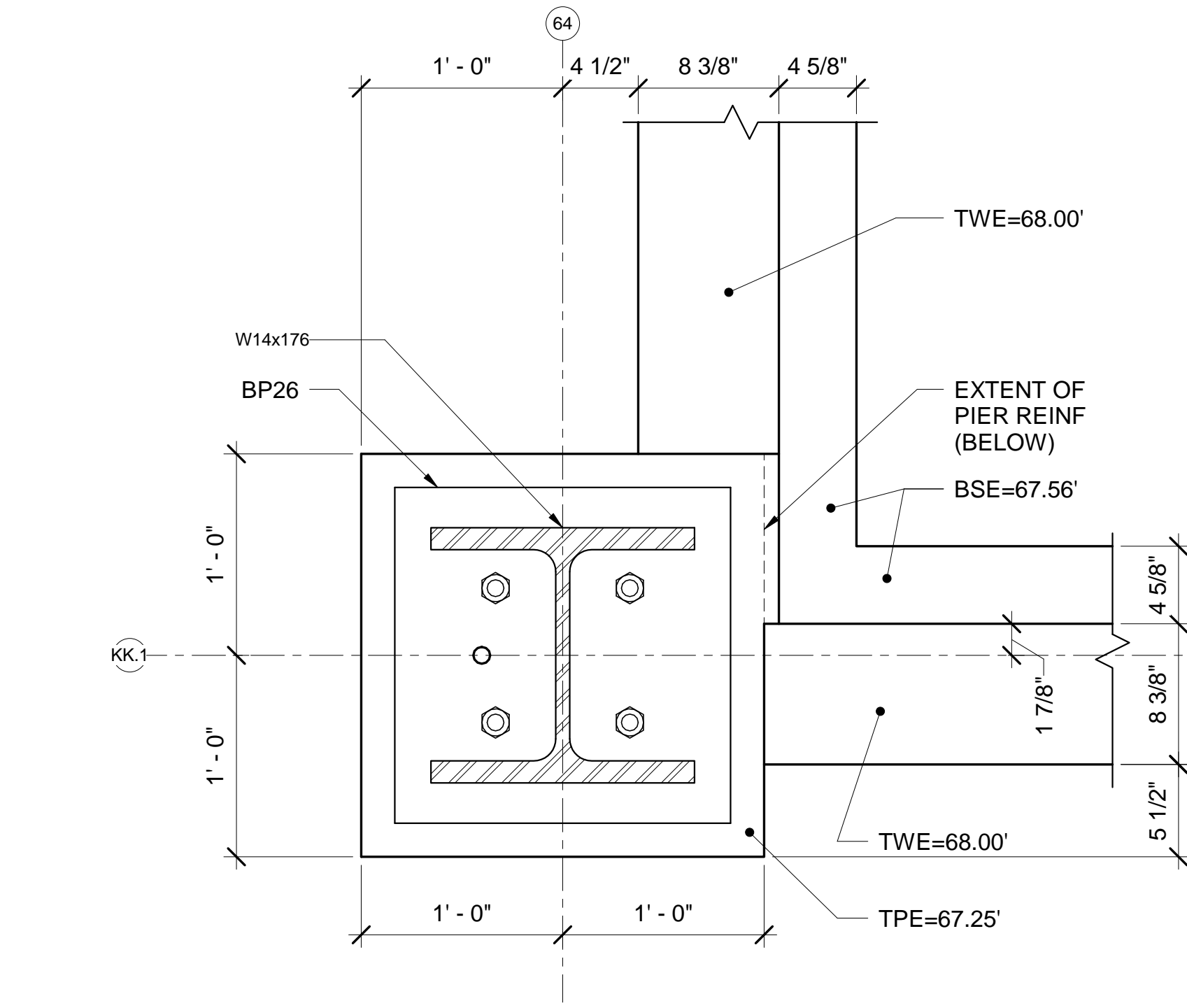
3 ENLARGED PIER PLAN AT COL LINE ZZ/42

SB104 SB405 SCALE: 1 1/2" = 1'-0"



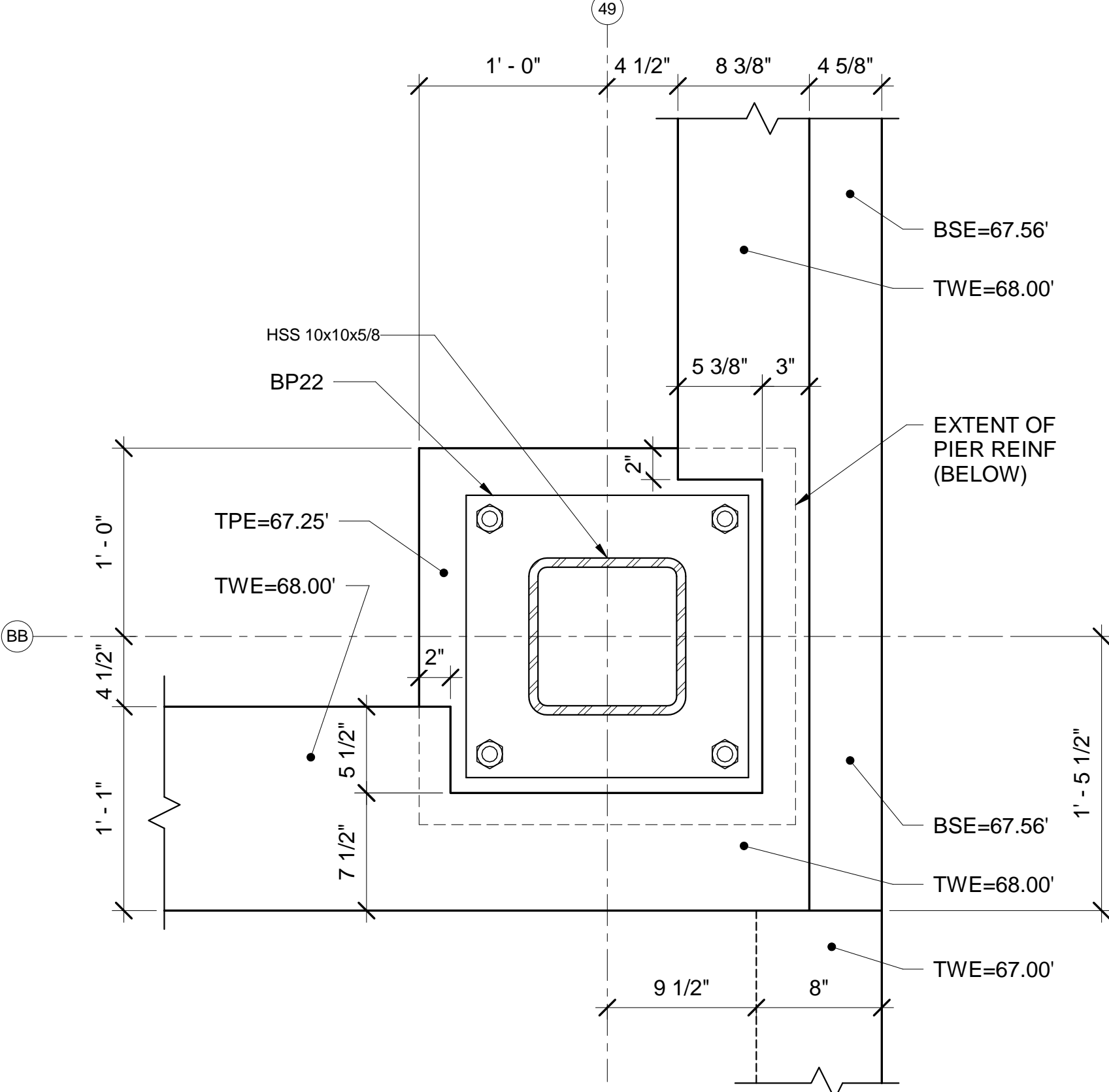
4 ENLARGED PIER PLAN AT COL LINE PP/55

SB104 SB405 SCALE: 1 1/2" = 1'-0"



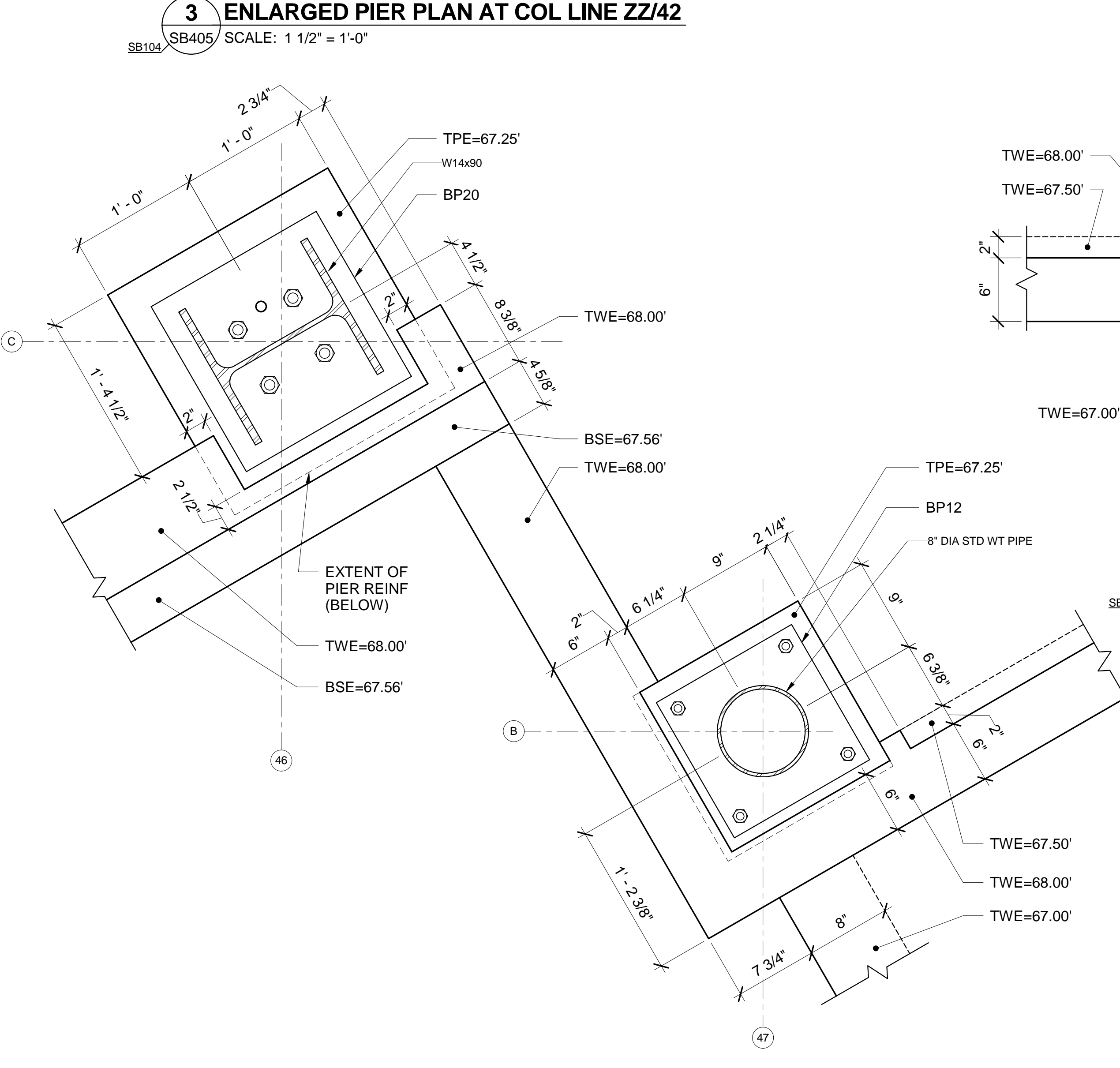
5 ENLARGED PIER PLAN AT COL LINE KK.1/64

SB405 SCALE: 1 1/2" = 1'-0"



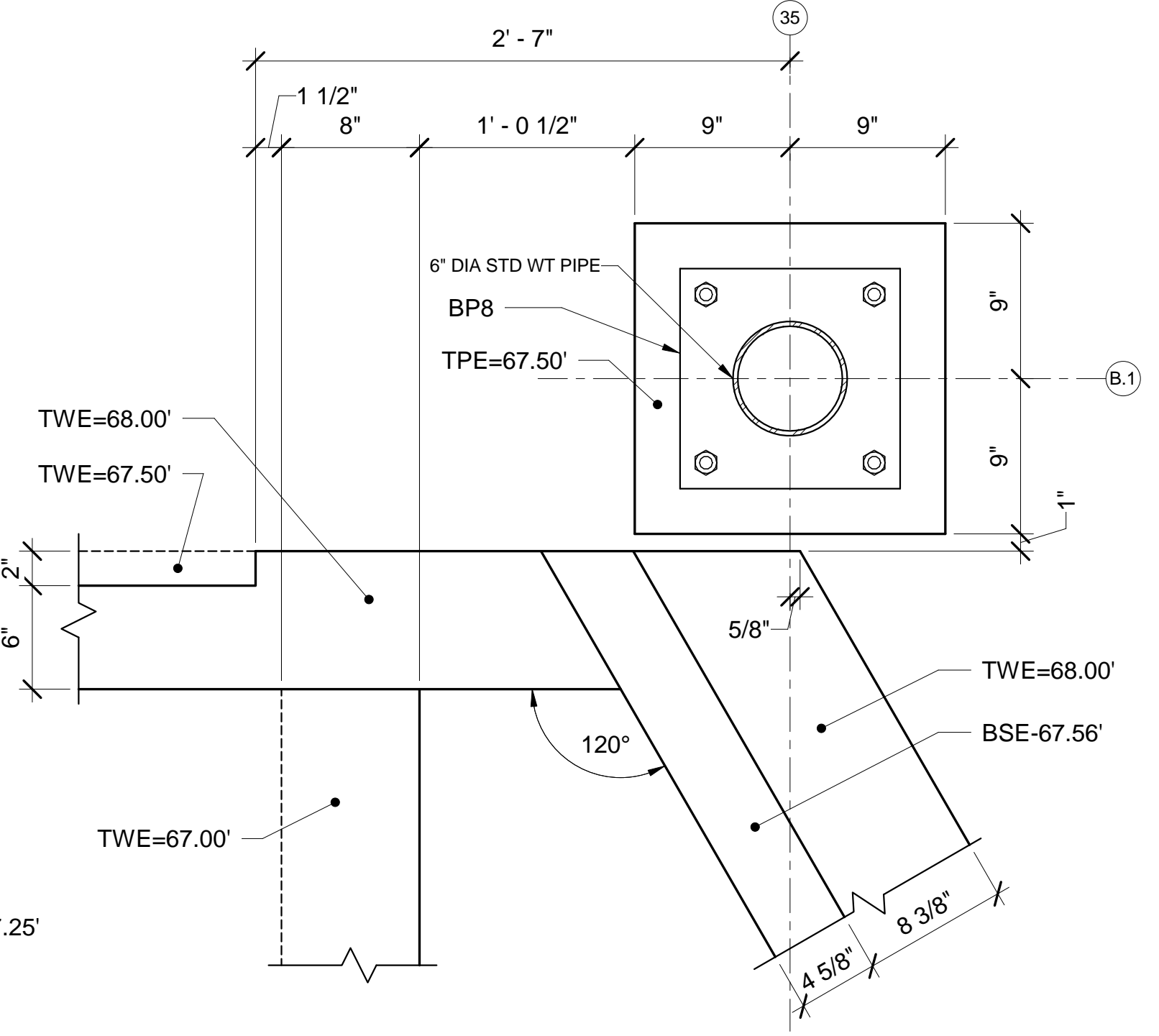
6 ENLARGED PIER PLAN AT COL LINE BB/49

SB104 SB405 SCALE: 1 1/2" = 1'-0"



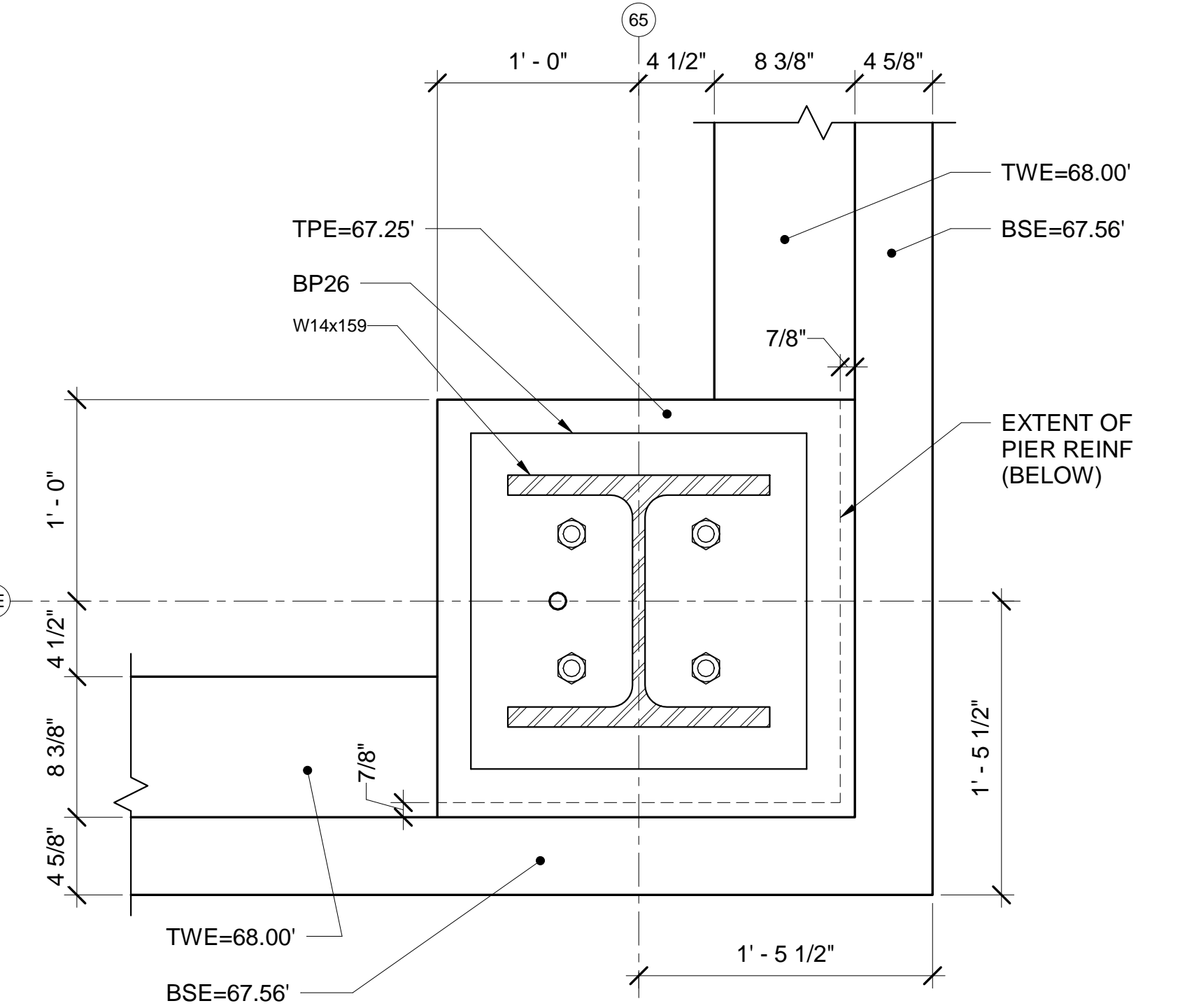
7 ENLARGED PIER PLAN AT COL LINES B/47 AND C/46

SB104 SB405 SCALE: 1 1/2" = 1'-0"



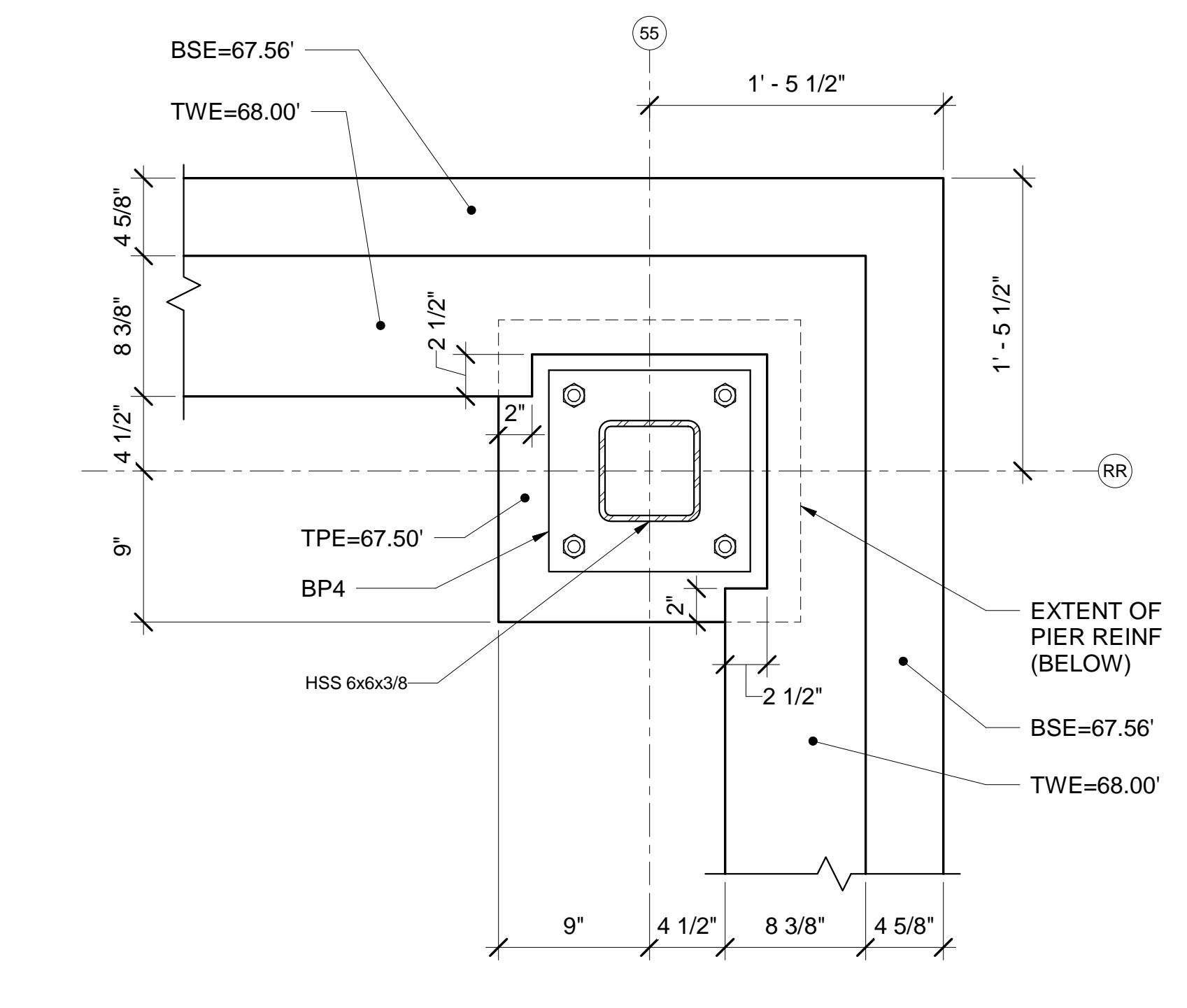
8 ENLARGED PIER PLAN AT COL LINE B.1/35

SB104 SB405 SCALE: 1 1/2" = 1'-0"



9 ENLARGED PIER PLAN AT COL LINE EE/65

SB405 SCALE: 1 1/2" = 1'-0"



10 ENLARGED PIER PLAN AT COL LINE RR/55

SB104 SB405 SCALE: 1 1/2" = 1'-0"



		STATE OF MAINE PUBLIC SCHOOL PROJECT PORTLAND PUBLIC SCHOOLS NEW FRED P. HALL ELEMENTARY SCHOOL LOCATION: 23 ORONO ROAD, PORTLAND, ME TITLE THIS DWG: ENLARGED PIER PLANS 2
DRAWN BY: MJC CHECK BY: DNM DATE: 03/17/17	BY NO. REVISIONS	OAK POINT ASSOCIATES SB405 SHEET NO. 92 OF 312 <small>231 Main Street, Biddeford, Maine 04005 207.283.9192</small>