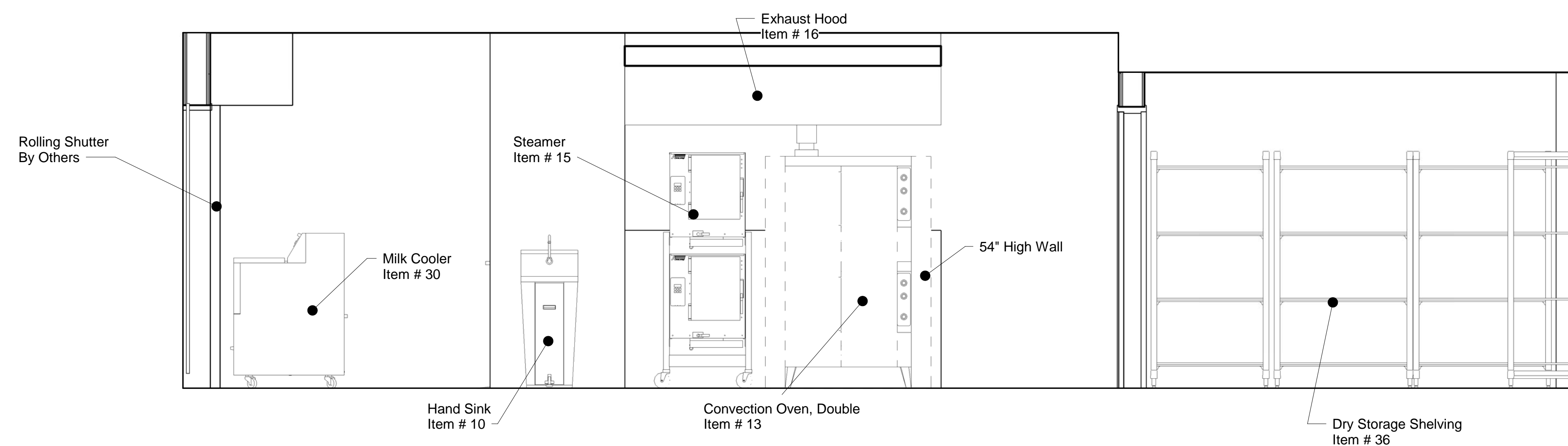
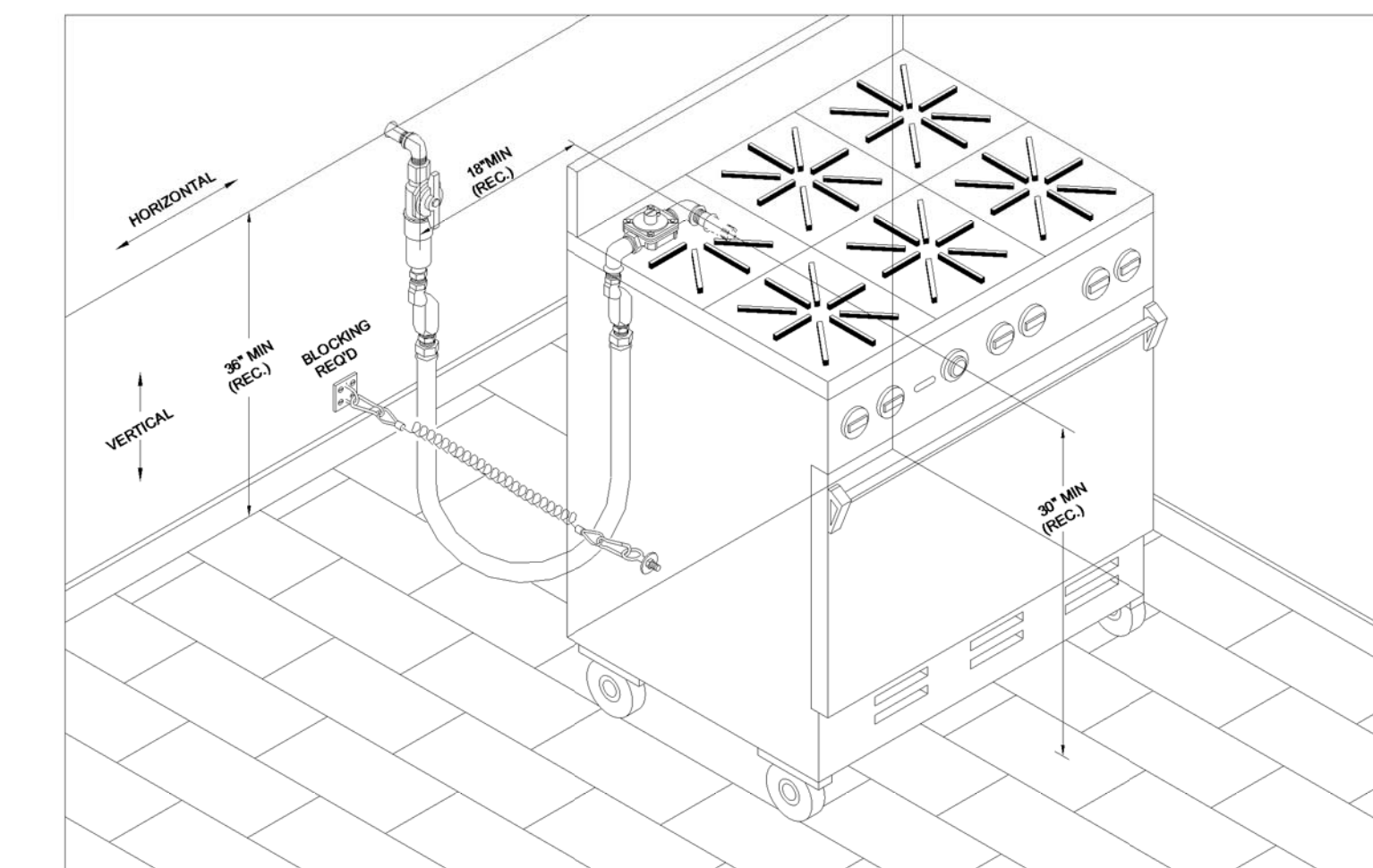


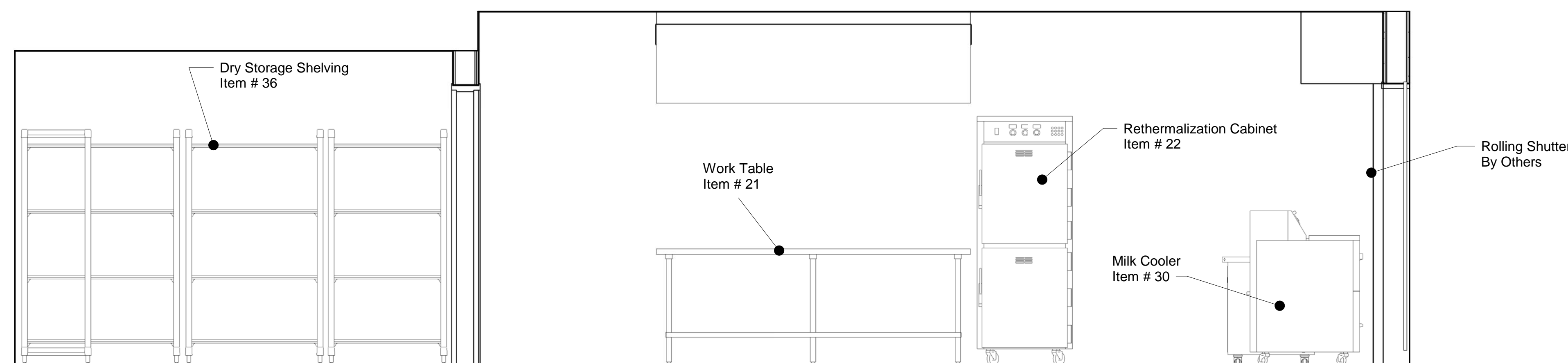
**2 Cooking, Range Side**  
 Q-101 Q-106 SCALE: 1/2" = 1'-0"



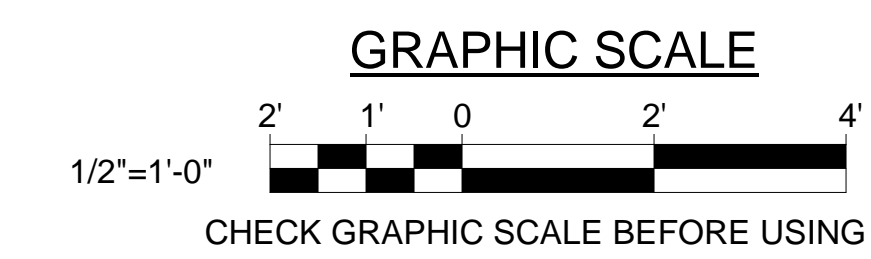
**1 Cooking, Steamer Side**  
 Q-101 Q-106 SCALE: 1/2" = 1'-0"



**GAS HOSE CONNECTION DETAIL**  
 SCALE: NONE



**3 Prep Table, Steamer Side**  
 Q-101 Q-106 SCALE: 1/2" = 1'-0"



STATE OF MAINE PUBLIC SCHOOL PROJECT	
TITLE PORTLAND PUBLIC SCHOOLS NEW FRED P. HALL ELEMENTARY SCHOOL	
LOCATION 23 ORONO ROAD, PORTLAND, ME	
TITLE THIS DWG. FOODSERVICE EQUIPMENT DETAILS & ELEVATIONS 2	
DRAWN BY: TDD	DRAWING NO. Q-106
CHECK BY: TJM	SHEET NO. 223 OF 312
NO. DATE	DESCRIPTION
BY	NO.
DATE	03/17/17