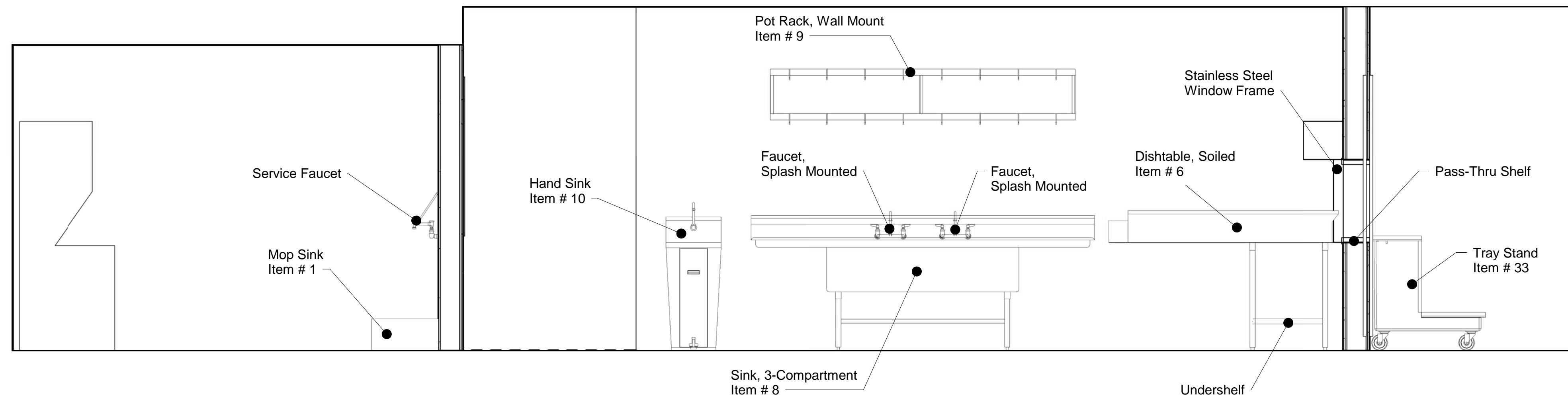


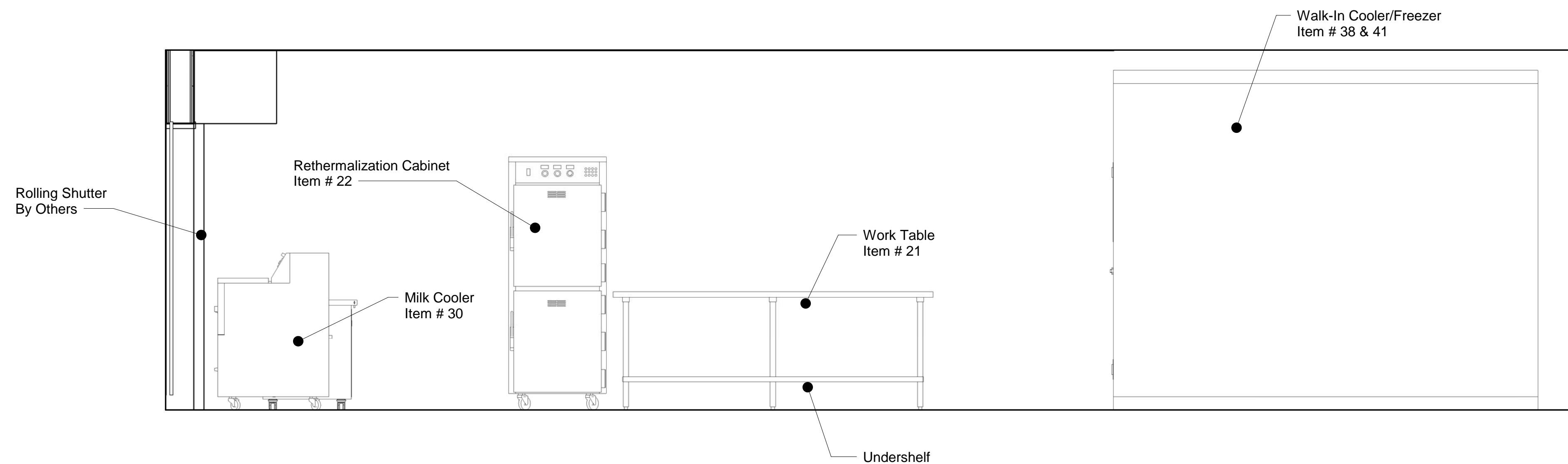
1 Dishwasher Elevation

Q-101 Q-105 SCALE: 1/2" = 1'-0"



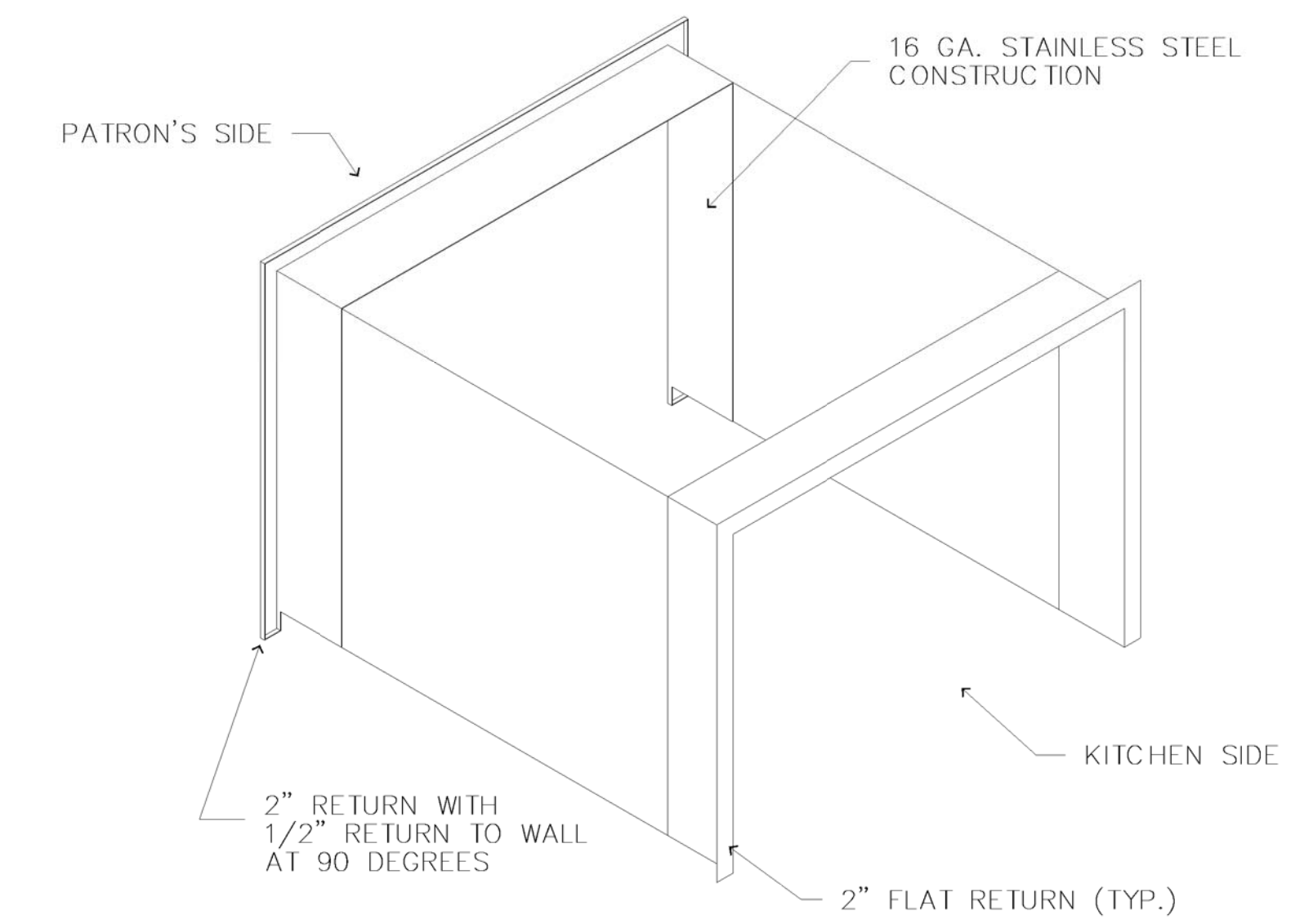
2 Pot Sink Elevation

Q-101 Q-105 SCALE: 1/2" = 1'-0"



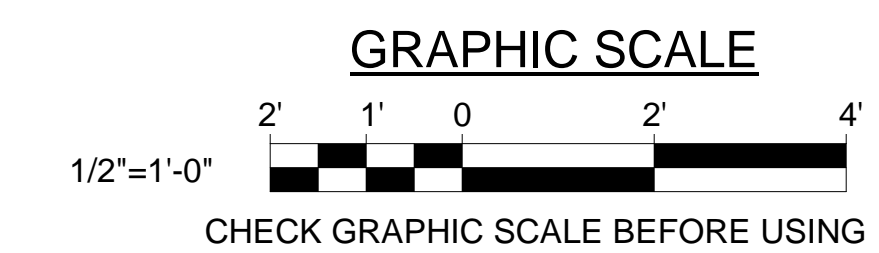
3 Prep Table, Range Side

Q-101 Q-105 SCALE: 1/2" = 1'-0"



S/S Window Frame Detail

SCALE - None



STATE OF MAINE PUBLIC SCHOOL PROJECT			
TITLE PORTLAND PUBLIC SCHOOLS NEW FRED P. HALL ELEMENTARY SCHOOL			
LOCATION 23 ORONO ROAD, PORTLAND, ME			
TITLE THIS DWG. FOODSERVICE EQUIPMENT DETAILS & ELEVATIONS 1			
DRAWN BY: TJM		DRAWING NO. Q-105	
CHECK BY: TJM		SHEET NO. 222 OF 312	
NO.	DATE	DESCRIPTION	BY
		REVISIONS	
		DATE 03/17/17	