

DRAWING KEYNOTES

- △ PIPE RISER EXPOSED ON EXTERIOR SIDE OF BUILDING WALL.
- △ TRANSITION GAS BRANCH LINE SIZE TO EQUIPMENT CONNECTION SIZE WITHIN 3 FEET OF EQUIPMENT AND PROVIDE ISOLATION VALVE AND UNION IN SIZE TO MATCH EQUIPMENT CONNECTION.
- △ DRAIN TRAP PRIMER CONNECTION. REFER TO PLANS FOR WATER LINE ROUTING.

UNDERGROUND NATURAL GAS SERVICE BY UTILITY CO. FOR CONTINUATION REFER TO SHEET CU101

GAS METER BY UTILITY CO

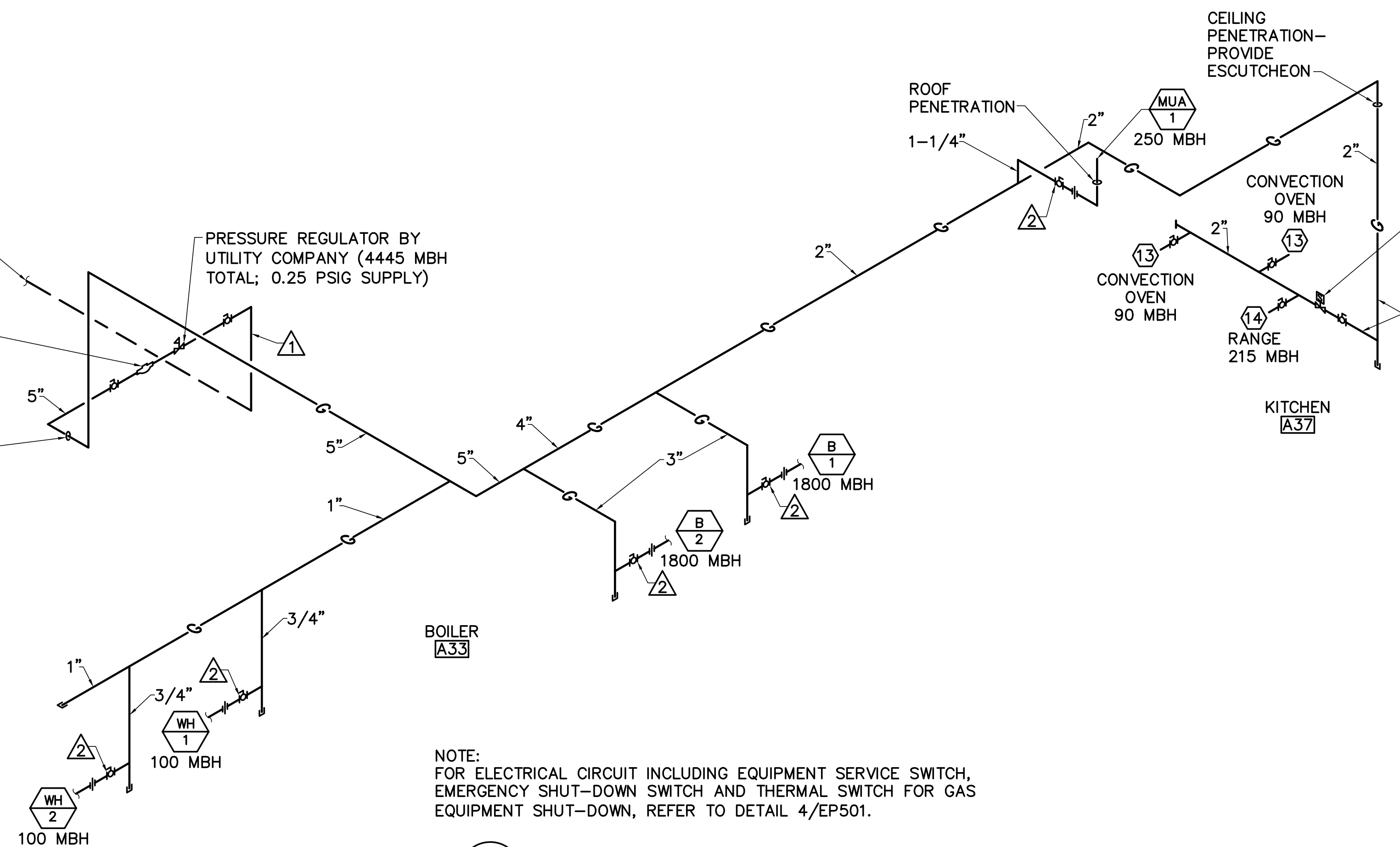
EXTERIOR WALL PENETRATION WITH SLEEVE SEAL AND SS EXTERIOR ESCUTCHEON

PRESSURE REGULATOR BY UTILITY COMPANY (4445 MBH TOTAL; 0.25 PSIG SUPPLY)

CEILING PENETRATION- PROVIDE ESCUTCHEON

PROVIDE SOLENOID VALVE AND INTERLOCK WITH KITCHEN FIRE SUPPRESSION SYSTEMS

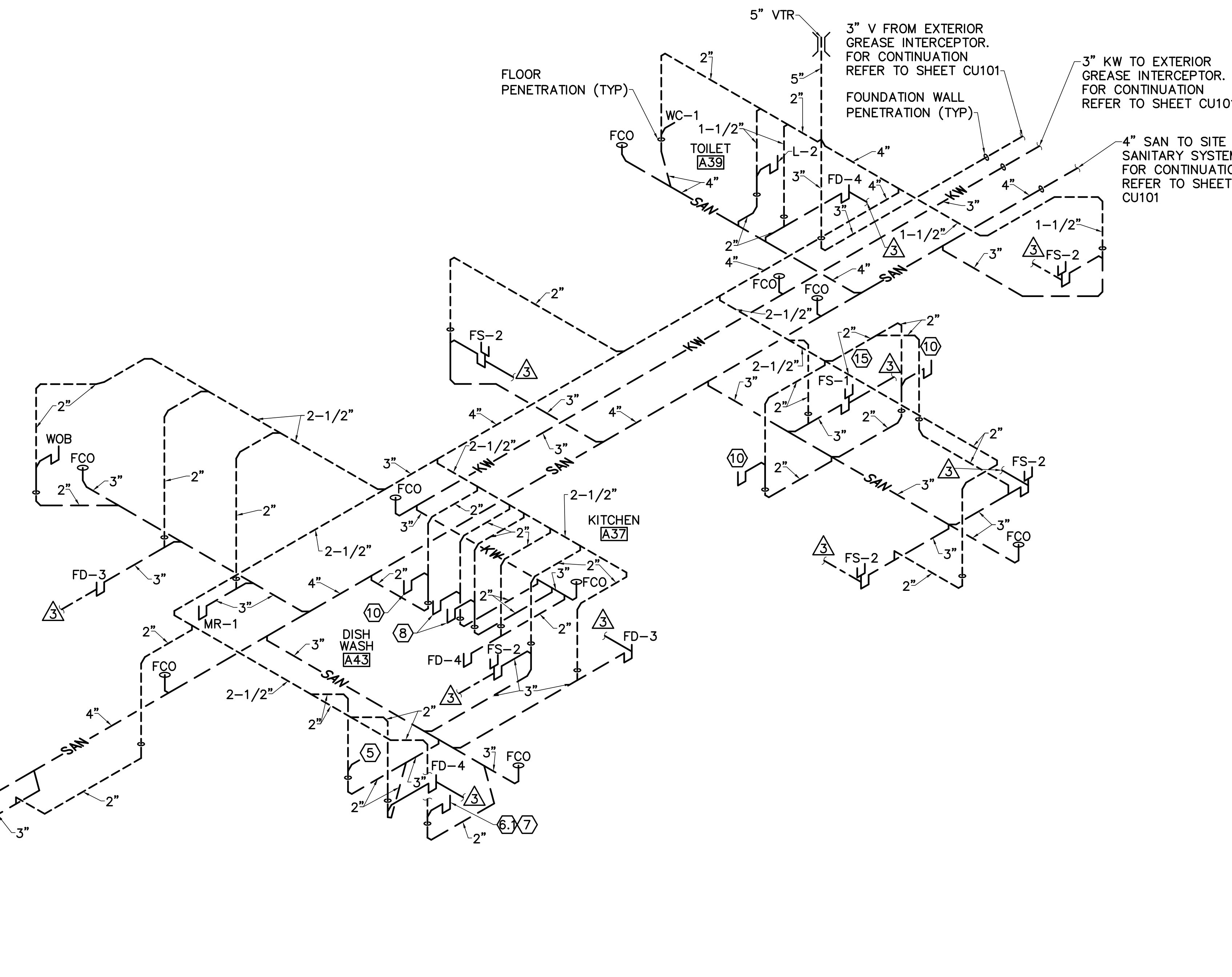
PIPE DROP AND HORIZONTAL HEADER EXPOSED ON WALL IN KITCHEN



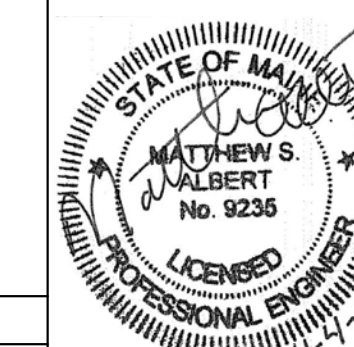
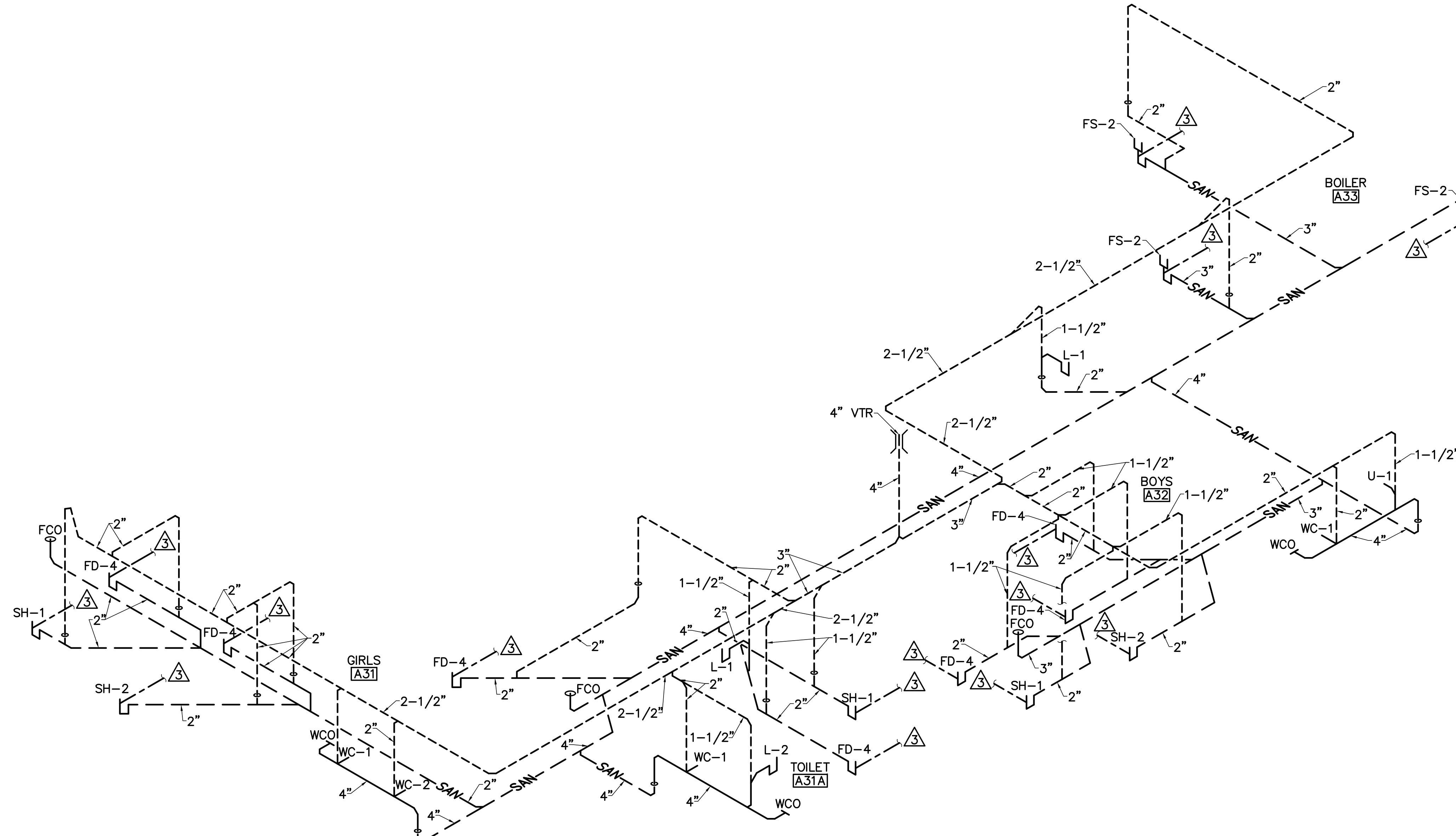
NOTE: FOR ELECTRICAL CIRCUIT INCLUDING EQUIPMENT SERVICE SWITCH, EMERGENCY SHUT-DOWN SWITCH AND THERMAL SWITCH FOR GAS EQUIPMENT SHUT-DOWN, REFER TO DETAIL 4/EP501.

1 NATURAL GAS RISER DIAGRAM
P-701 NOT TO SCALE

5" VTR
3" V FROM EXTERIOR GREASE INTERCEPTOR FOR CONTINUATION REFER TO SHEET CU101
FOUNDATION WALL PENETRATION (TYP)
3" KW TO EXTERIOR GREASE INTERCEPTOR FOR CONTINUATION REFER TO SHEET CU101
4" SAN TO SITE SANITARY SYSTEM FOR CONTINUATION REFER TO SHEET CU101



2 SANITARY WASTE AND VENT RISER DIAGRAM- PART A WEST
P-701 NOT TO SCALE



STATE OF MAINE
PUBLIC SCHOOL PROJECT

TITLE: PORTLAND PUBLIC SCHOOLS
NEW FRED P. HALL ELEMENTARY SCHOOL
LOCATION: 53 GRAND ROAD, PORTLAND, ME

TITLE THIS DWG:
PLUMBING RISER DIAGRAMS 1

DRAWN BY: RDA
CHECKED BY: MSA

OAK POINT ASSOCIATES
P-701

NO.	DATE	DESCRIPTION	BY	NO.
REVISIONS				
				DATE: 04/04/17