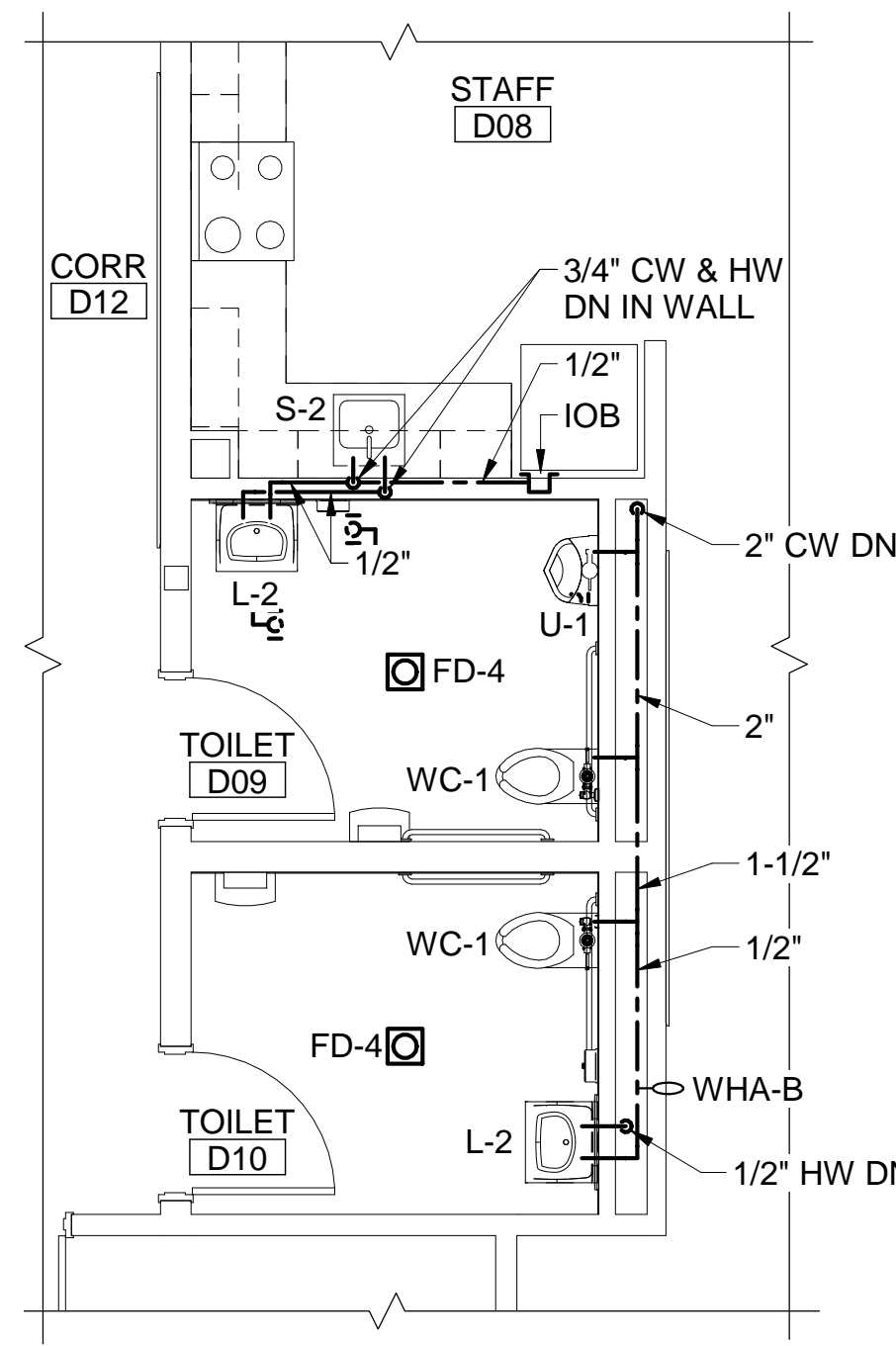


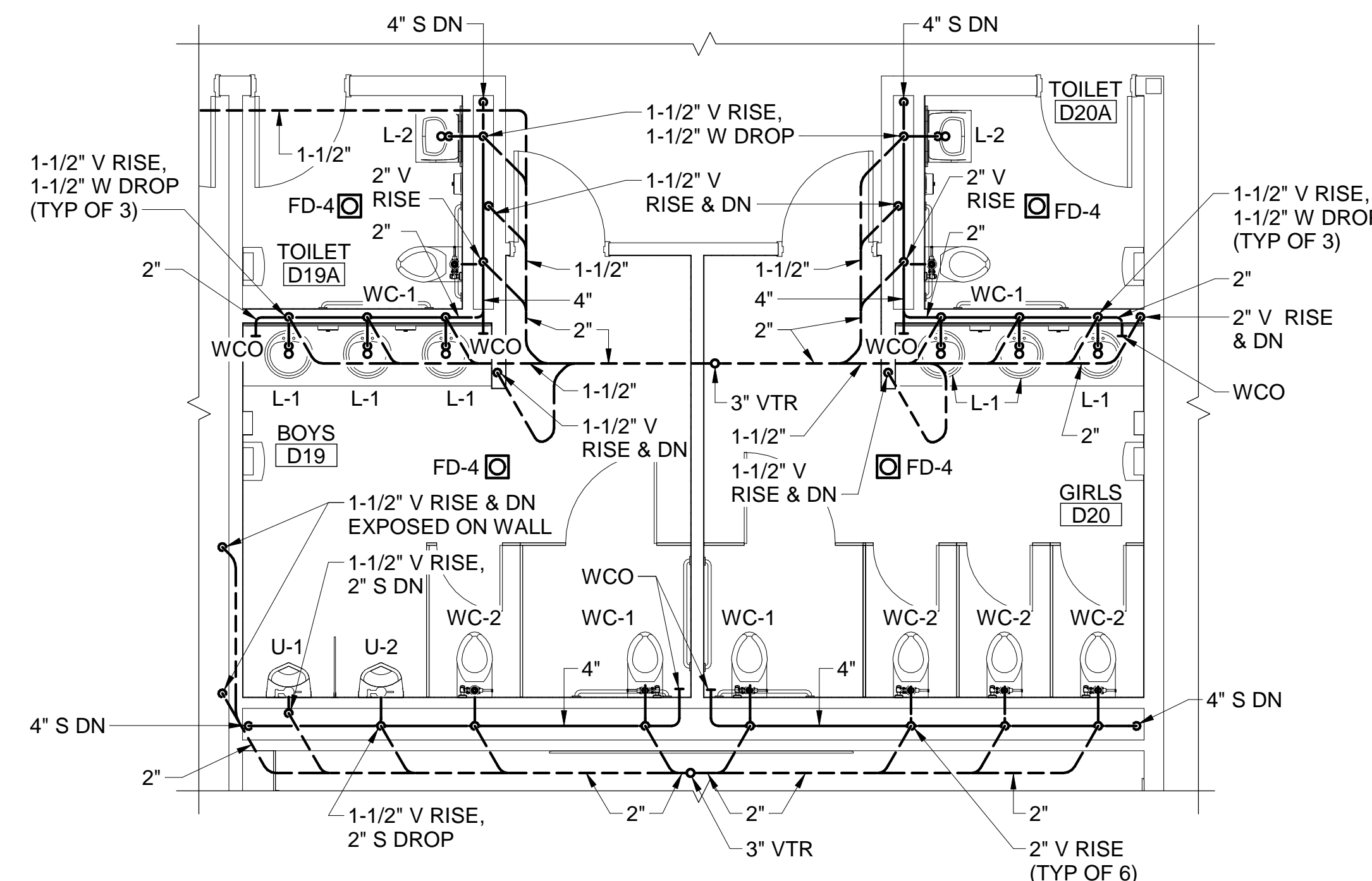
1 TOILET D09, D10 & STAFF D08 ENLARGED SANITARY PART PLAN

P-107 P-404 SCALE: 1/4" = 1'-0"



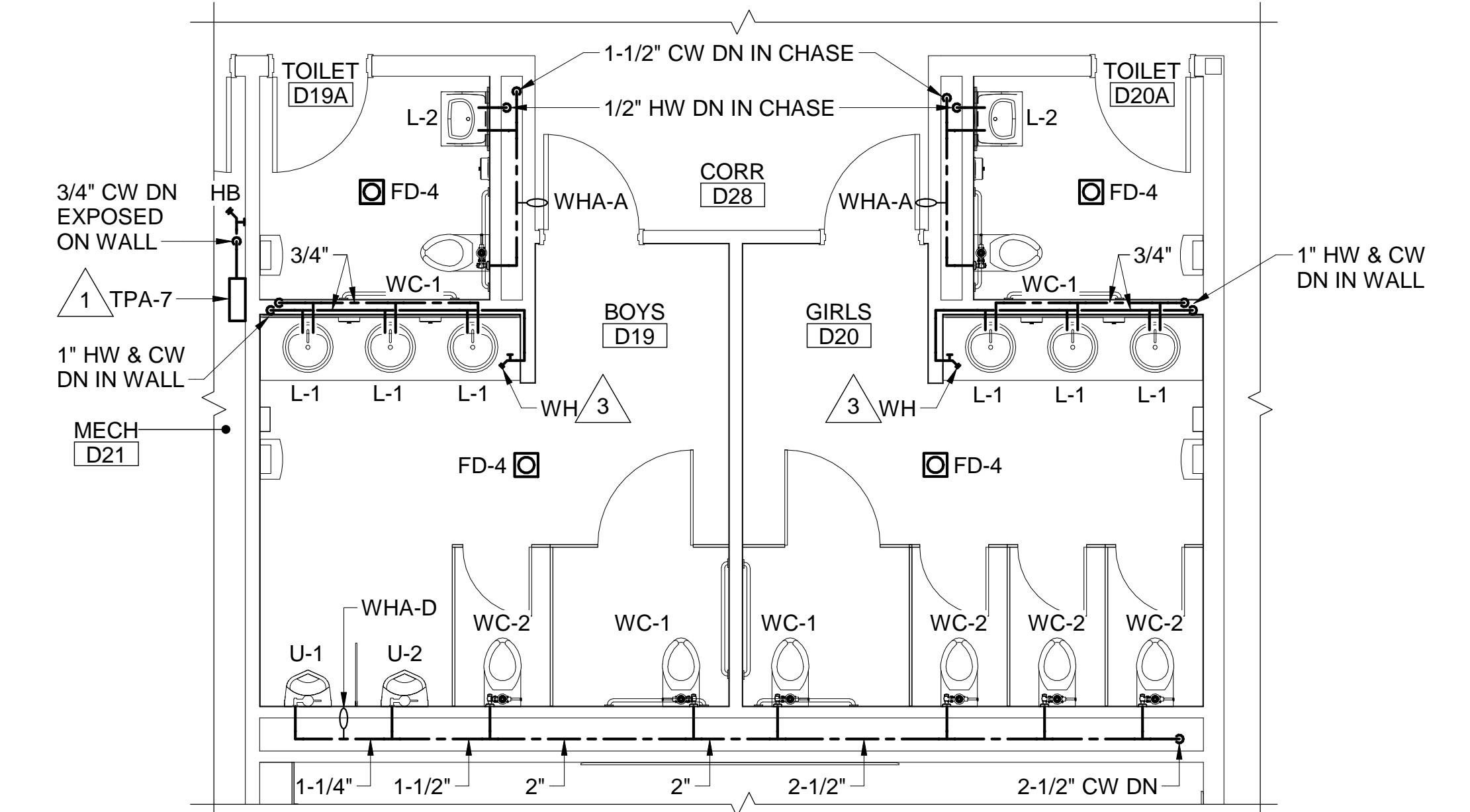
2 TOILET D09, D10 & STAFF D08 ENLARGED WATER SUPPLY PART PLAN

P-107 P-404 SCALE: 1/4" = 1'-0"



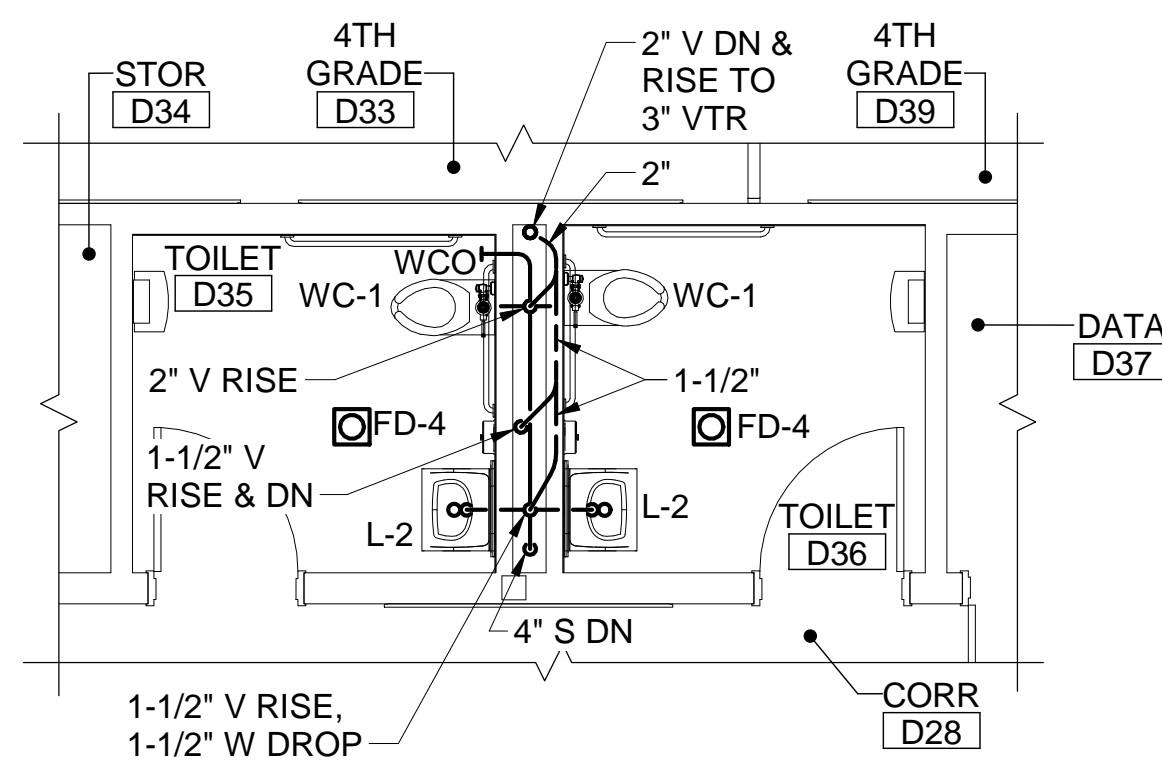
3 ROOMS D19, D20 SECOND FLOOR SANITARY PART PLAN

P-107 P-404 SCALE: 1/4" = 1'-0"



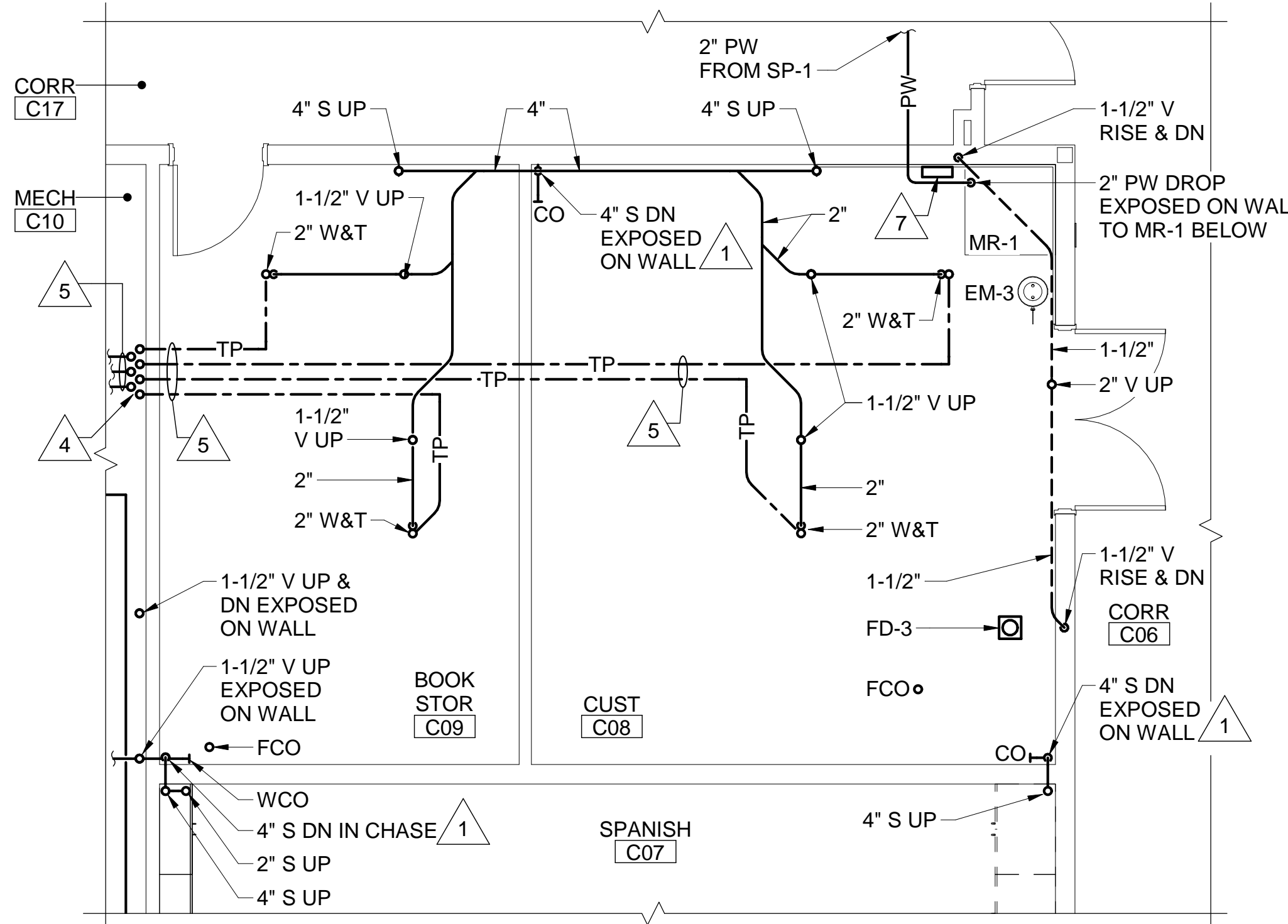
4 ROOMS D19, D20 SECOND FLOOR WATER SUPPLY PART PLAN

P-107 P-404 SCALE: 1/4" = 1'-0"



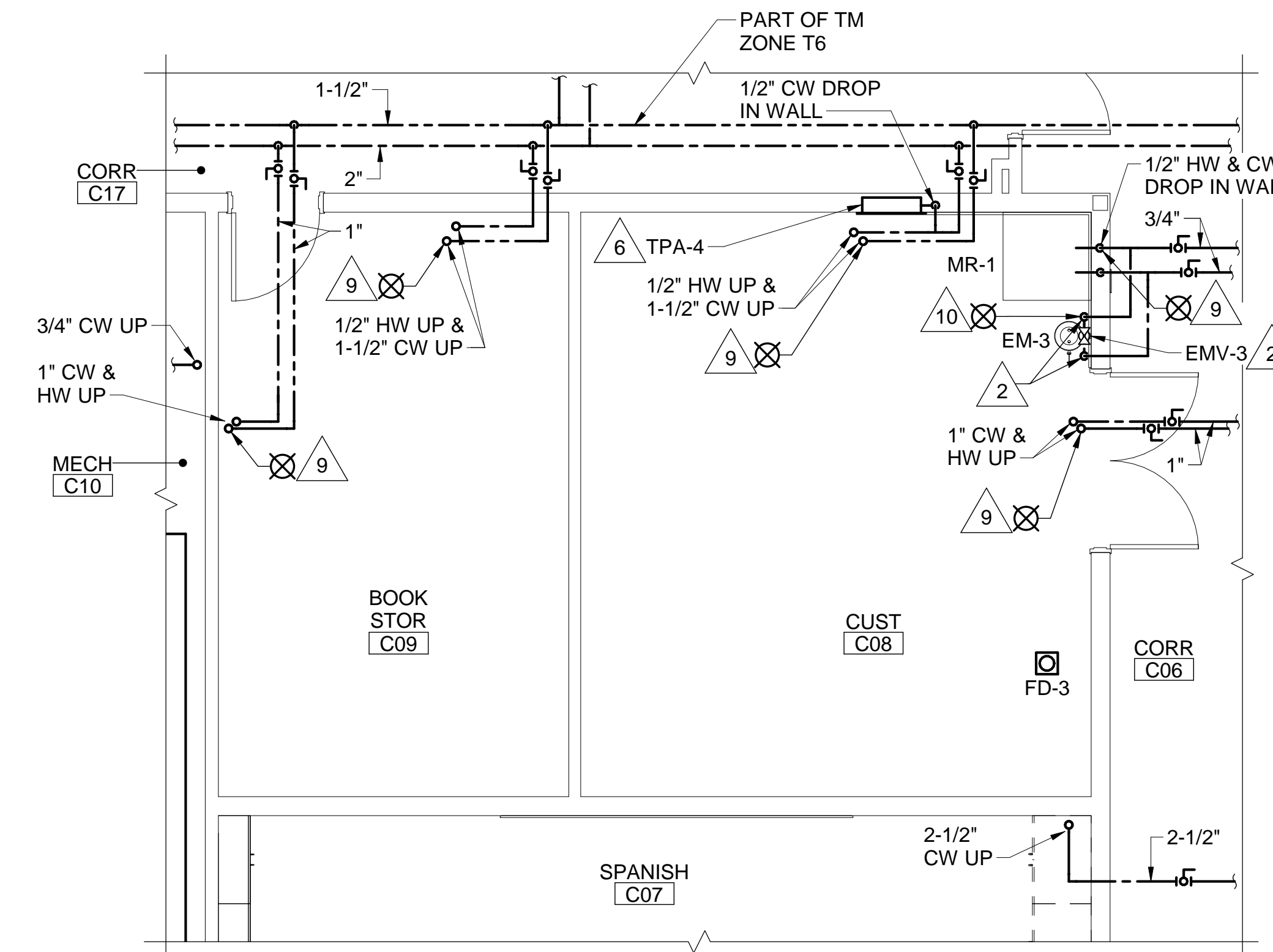
5 TOILET D35 & D36 ENLARGED SANITARY PART PLAN

P-107 P-404 SCALE: 1/4" = 1'-0"



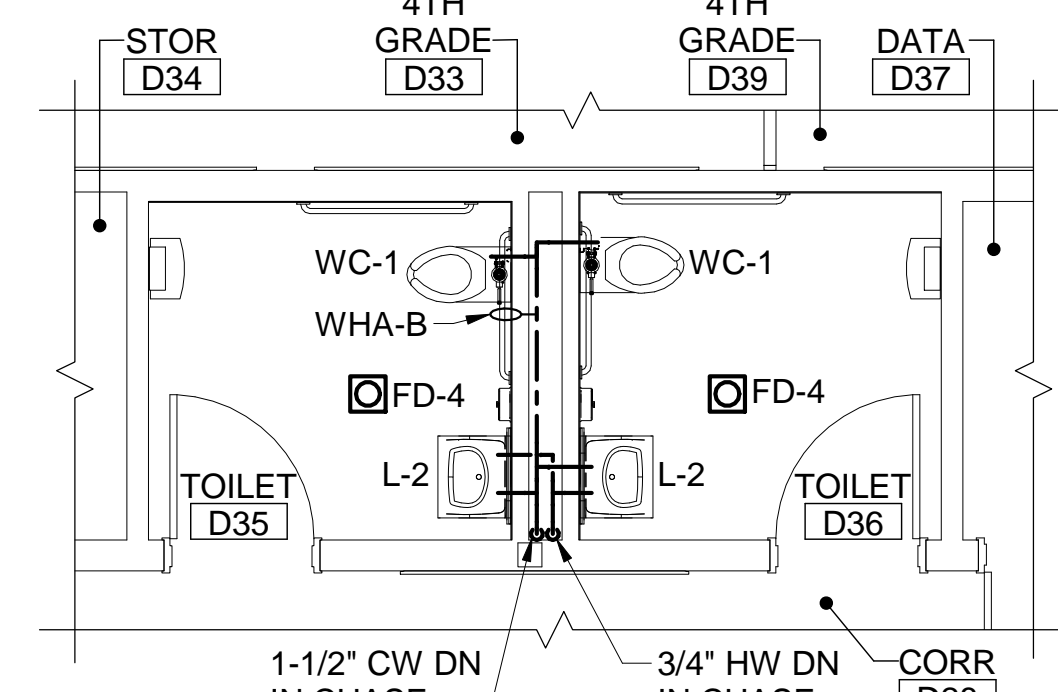
7 BOOK STOR C09 & CUST C08 FIRST FLOOR SANITARY PART PLAN

P-106 P-404 SCALE: 1/4" = 1'-0"



8 BOOK STOR C09 & CUST C08 FIRST FLOOR WATER SUPPLY PART PLAN

P-106 P-404 SCALE: 1/4" = 1'-0"



6 TOILET D35 & D36 ENLARGED WATER SUPPLY PART PLAN

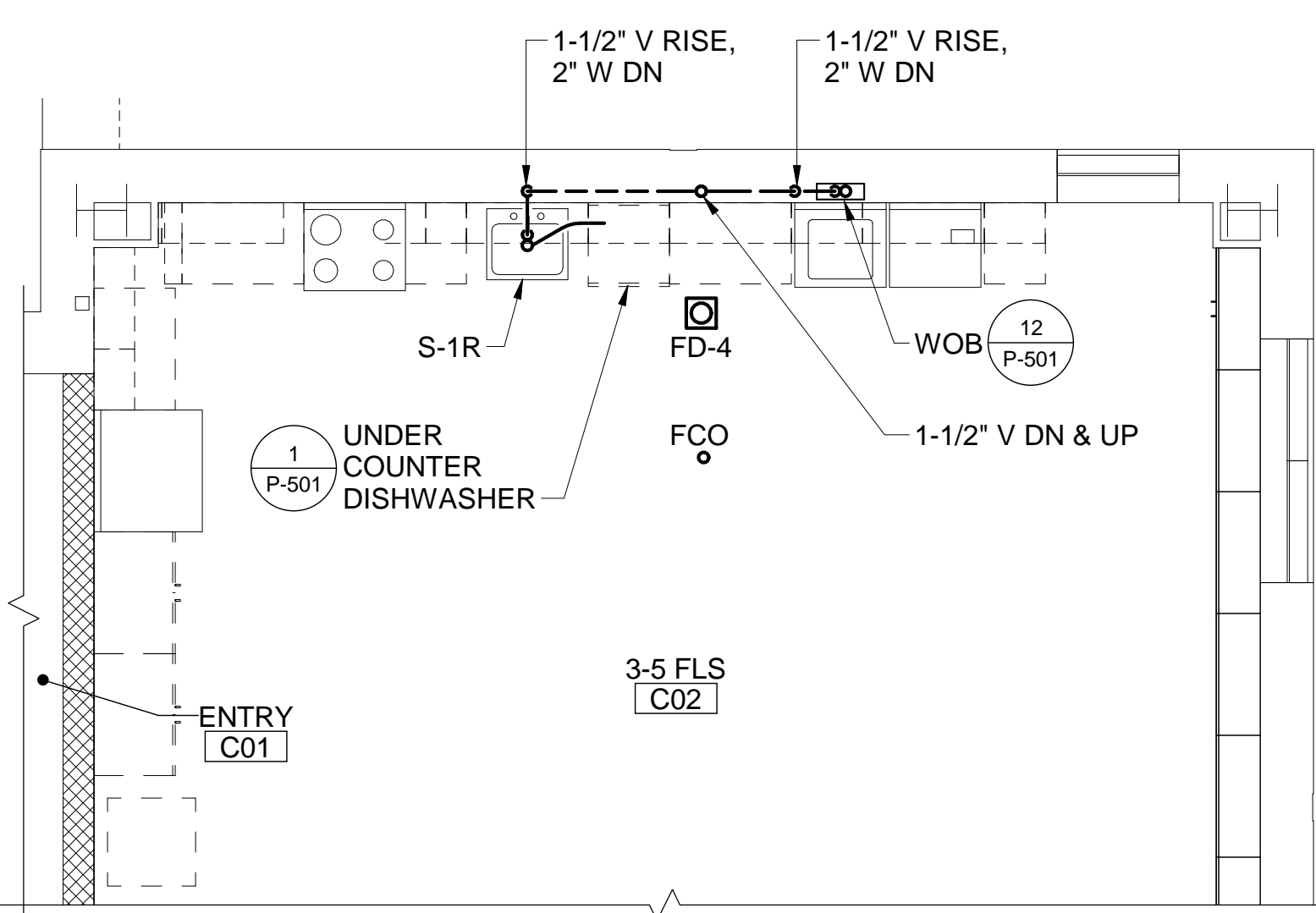
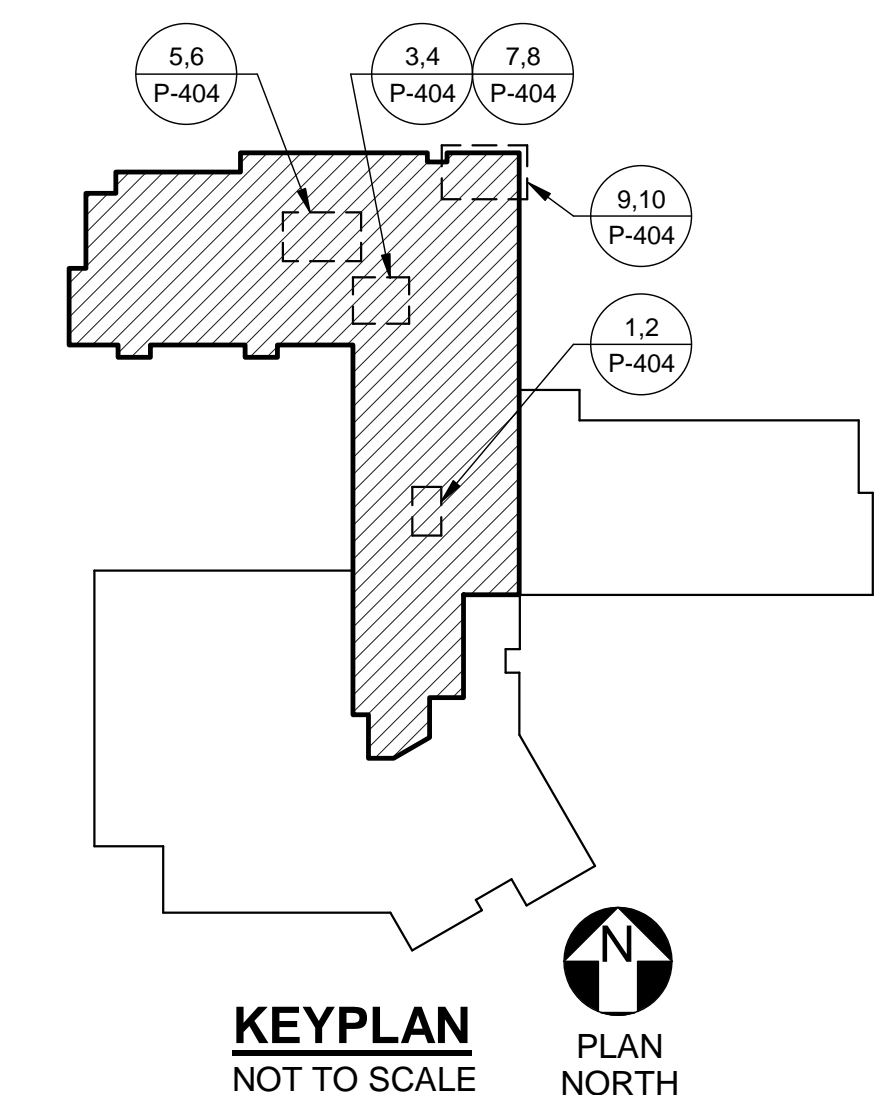
P-107 P-404 SCALE: 1/4" = 1'-0"

DRAWING KEYNOTES

- 1 PROVIDE SEVEN 1/2" TP IN COPPER TUBING DOWN THROUGH FLOOR FROM TRAP PRIMER ASSEMBLY TPA-7. TUBING SHALL BE EXPOSED ON WALL.
- 2 1/2" HW & CW EXPOSED ON WALL TO EMV-3, MOUNTED AT 80" AFF. EXTEND 1/2" TW FROM EMV-3 TO FIXTURE WALL MOUNTED BELOW.
- 3 EXTEND 3/4" HW IN WALL TO NARROW WALL WH INSTALLED AT 12" AFF TO CENTERLINE. ACCESSIBLE WITH COUNTERTOP SKIRT BOARD INSTALLED, BUT BELOW COUNTER.
- 4 SEVEN 1/2" TP IN COPPER UP TO TPA-7 ABOVE.
- 5 1/2" TP IN COPPER ABOVE CEILING OR AT STRUCTURE ABOVE.
- 6 PROVIDE TWELVE 1/2" TP IN PEX DOWN IN WALL FROM TRAP PRIMER ASSEMBLY TPA-4.
- 7 ELEVATOR PIT SUMP PUMP SP-1 REMOTE ALARM PANEL. REFER TO DETAIL 5/P-501.
- 8 TERMINATE TEMPERATURE MAINTENANCE CABLE AT WALL PENETRATION.
- 9 TERMINATE TEMPERATURE MAINTENANCE CABLE AT FLOOR PENETRATION ABOVE.
- 10 TERMINATE TEMPERATURE MAINTENANCE CABLE AT EMV-3.

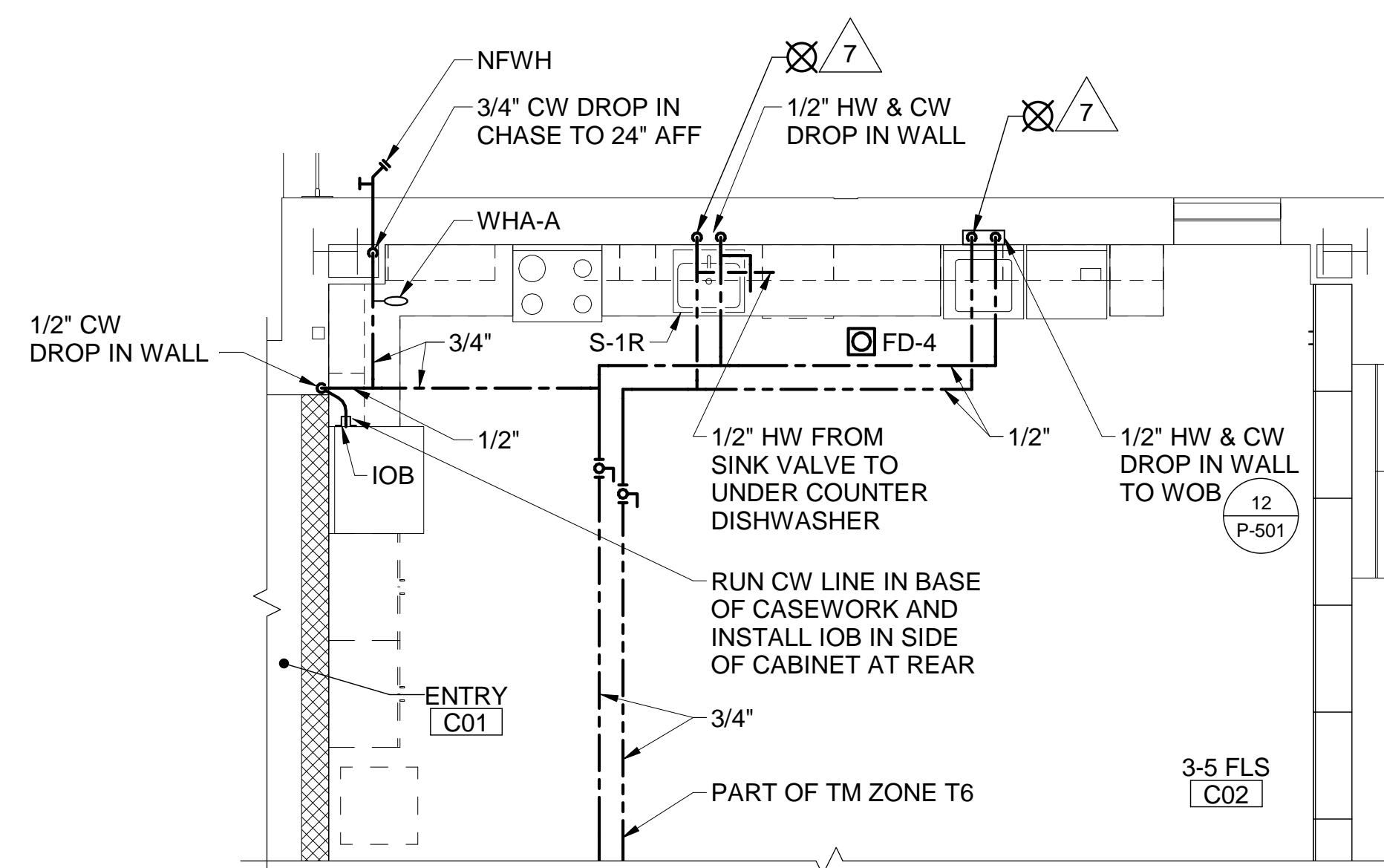
DRAWING NOTES

1. REFER TO GENERAL NOTES ON P-001 FOR REQUIRED PIPE SLOPES.
2. FIRST FLOOR FINISHED FLOOR ELEVATION IS 68.0' UNLESS OTHERWISE INDICATED.
3. FOR FLOOR AND PIPE PENETRATION DETAILS, REFER TO SHEET P-501.
4. FOR HANGER AND SUPPORT DETAILS, REFER TO SHEET P-501.
5. FOR PROJECT PHASING, MOSTLY RELATED TO SITE UTILITY WORK, REFER TO CIVIL SHEETS CP101, CU101 AND CU102.



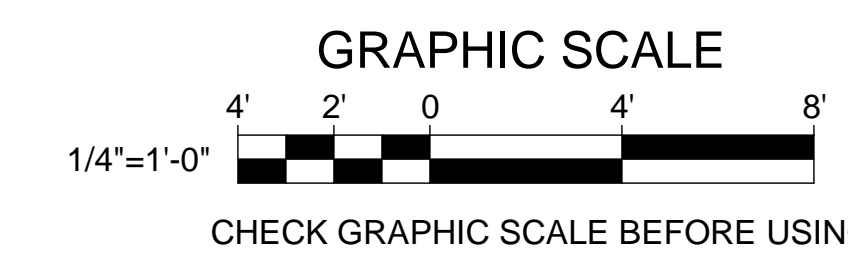
9 ROOM C02 ENLARGED SANITARY PART PLAN

P-106 P-404 SCALE: 1/4" = 1'-0"



10 ROOM C02 ENLARGED WATER SUPPLY PART PLAN

P-106 P-404 SCALE: 1/4" = 1'-0"



| | | | |
|---|----------------|----|--|
| STATE OF MAINE PUBLIC SCHOOL PROJECT | | | TITLE: PORTLAND PUBLIC SCHOOLS NEW FRED P. HALL ELEMENTARY SCHOOL LOCATION: 23 ORONO ROAD, PORTLAND, ME TITLE THIS DWG: ENLARGED PLUMBING PART PLANS 4 |
| DRAWN BY: RDA CHECK BY: MSA | DATE: 04/04/17 | | |
| NO. DATE | DESCRIPTION | BY | NO. |
| | REVISIONS | | |