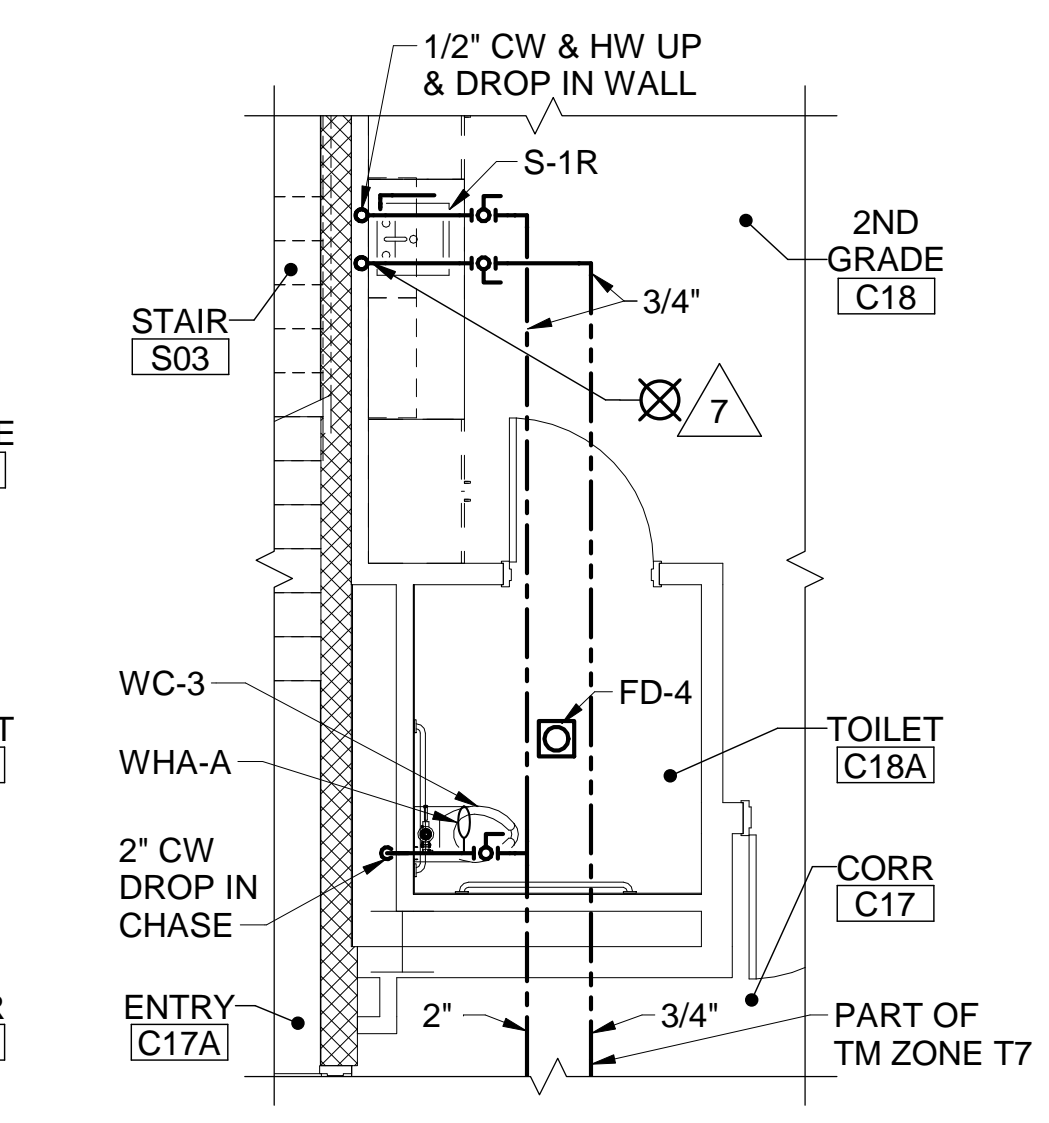
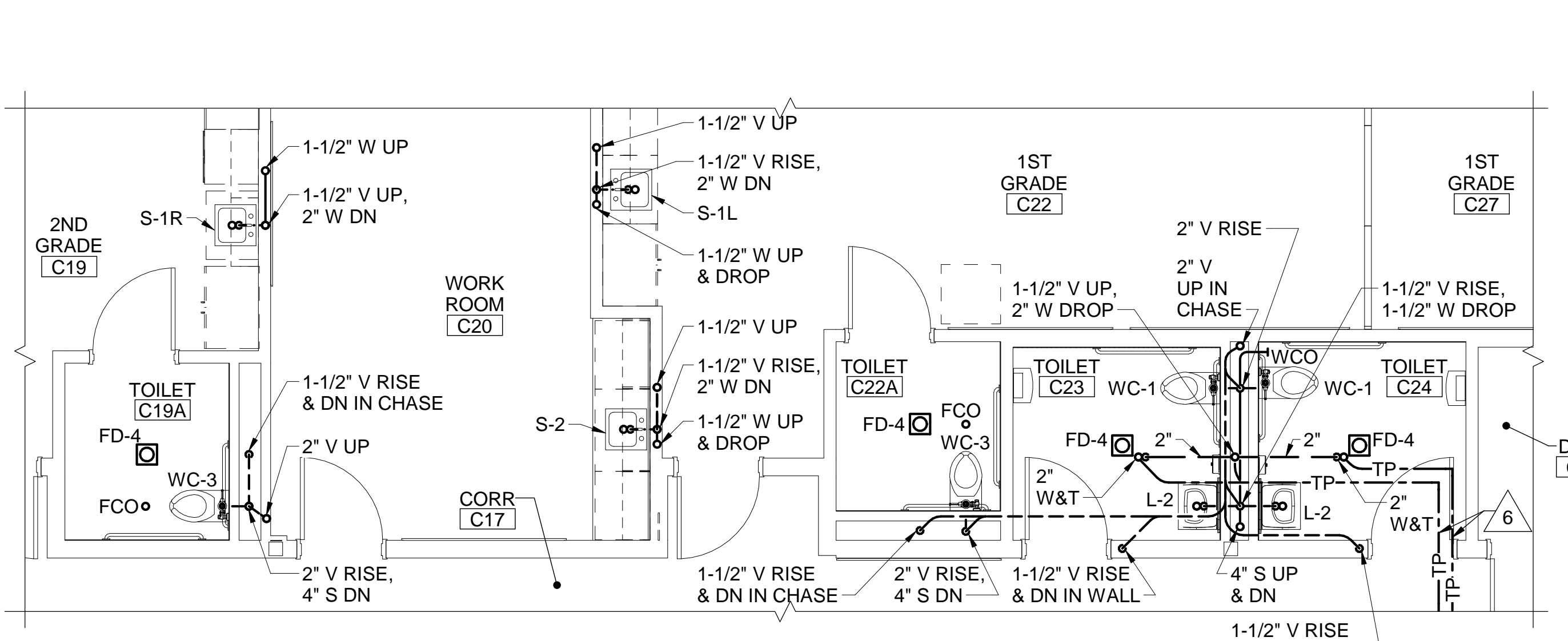


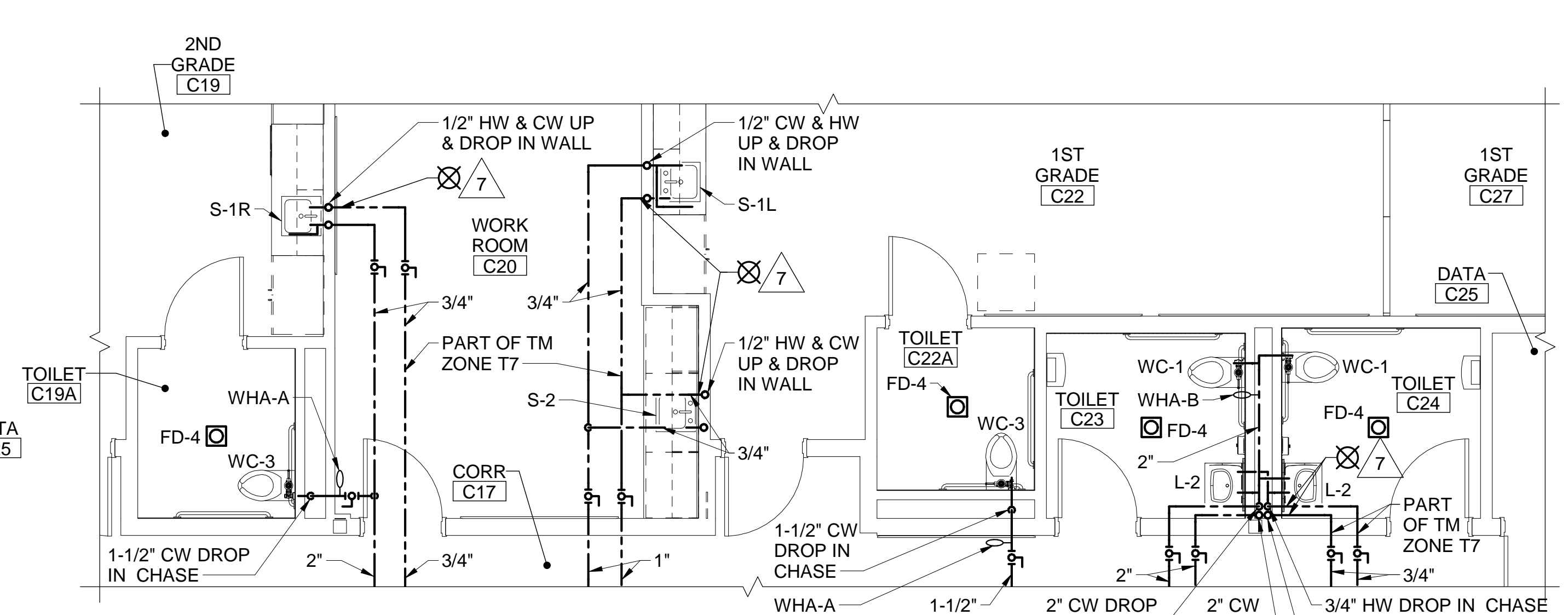
**1 TOILET C18A ENLARGED SANITARY PART PLAN**  
P-106 P-403 SCALE: 1/4" = 1'-0"



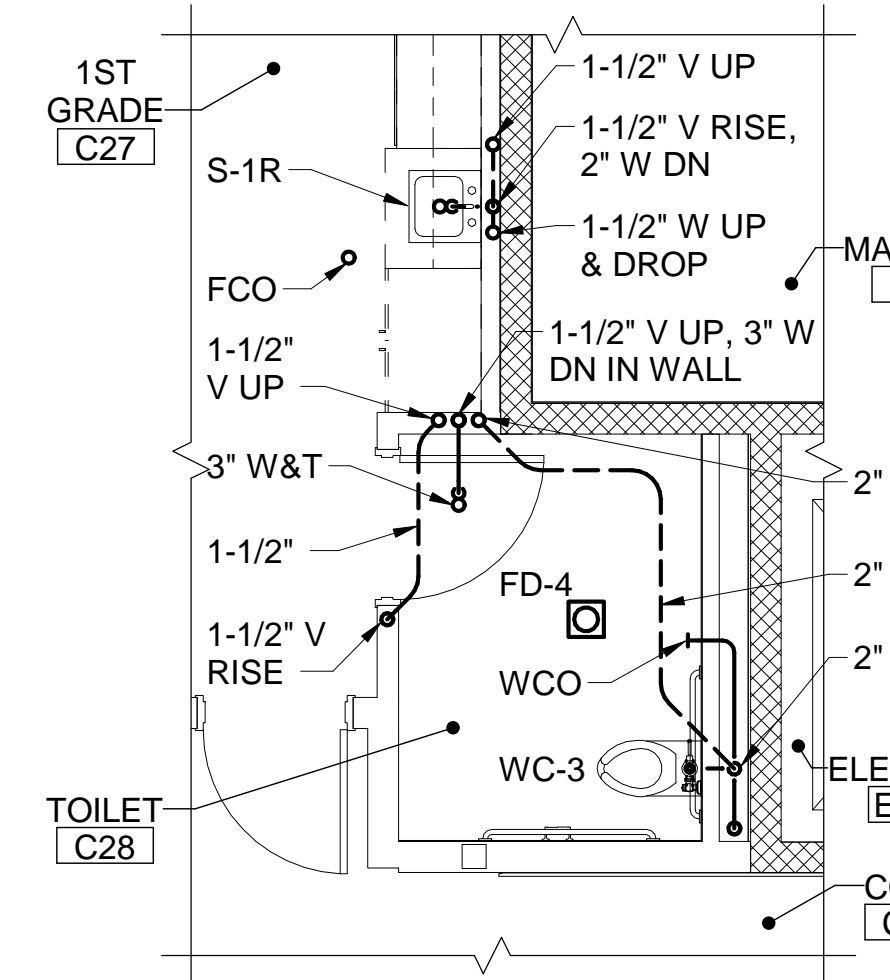
**2 TOILET C18A ENLARGED WATER SUPPLY PART PLAN**  
P-106 P-403 SCALE: 1/4" = 1'-0"



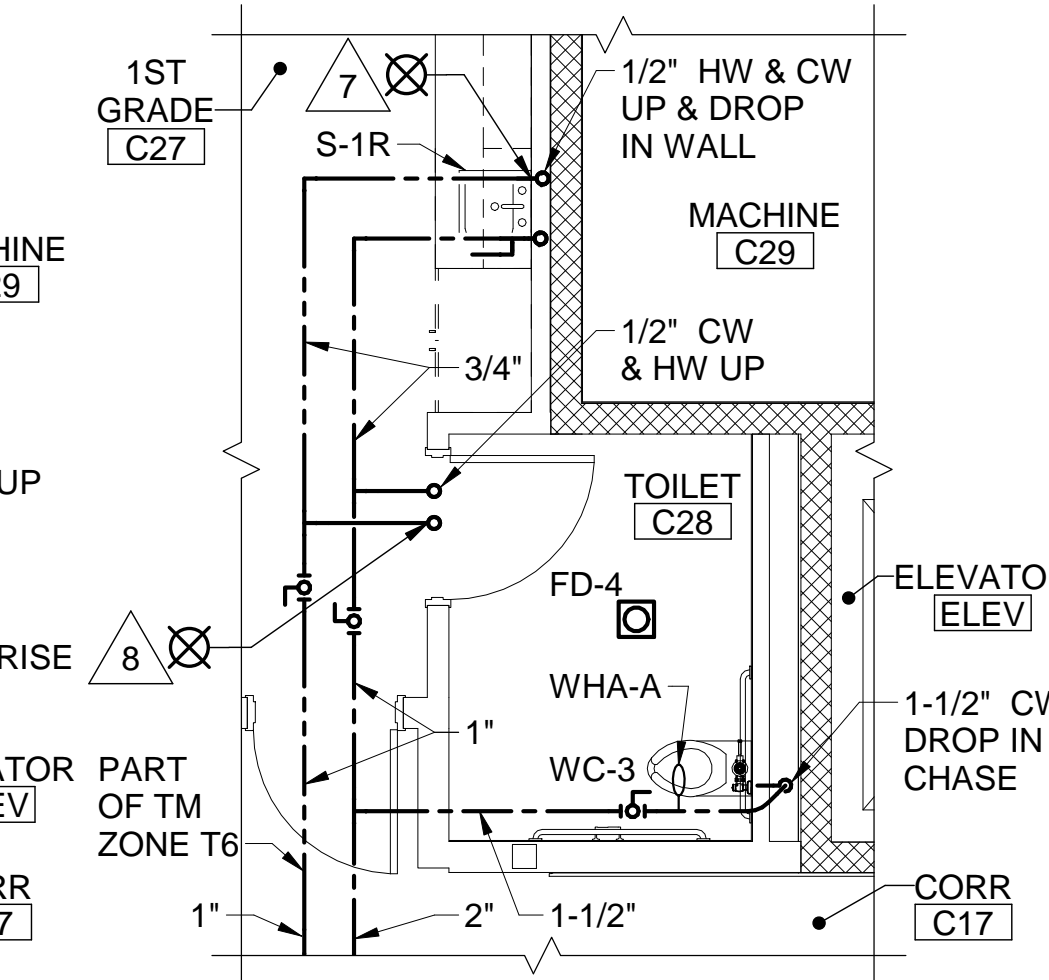
**3 TOILET C19A, C22A, C23, C24 & WORK ROOM C20 ENLARGED SANITARY PART PLAN**  
P-106 P-403 SCALE: 1/4" = 1'-0"



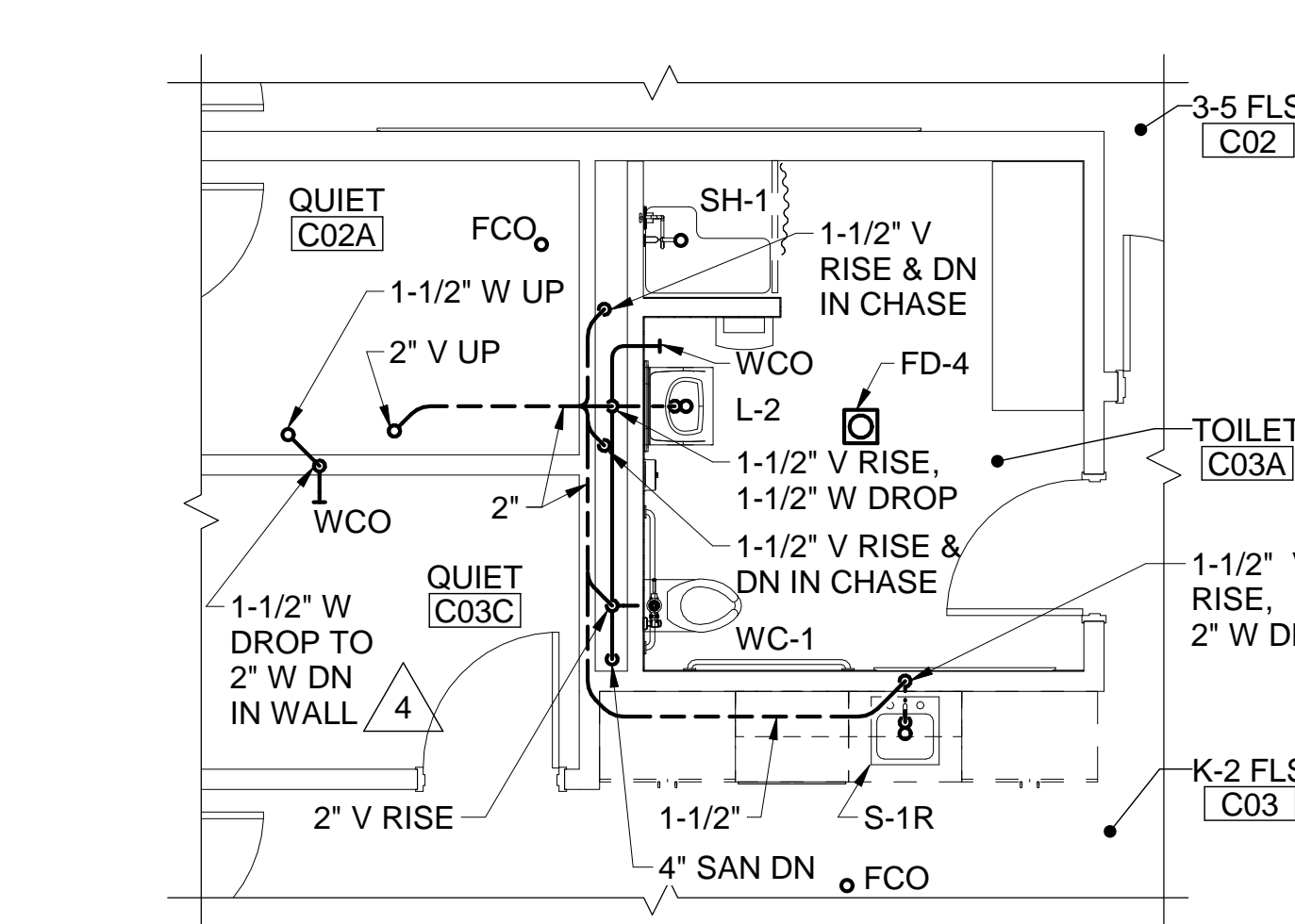
**4 TOILET C19A, C22A, C23, C24 & WORK ROOM C20 ENLARGED WATER SUPPLY PART PLAN**  
P-106 P-403 SCALE: 1/4" = 1'-0"



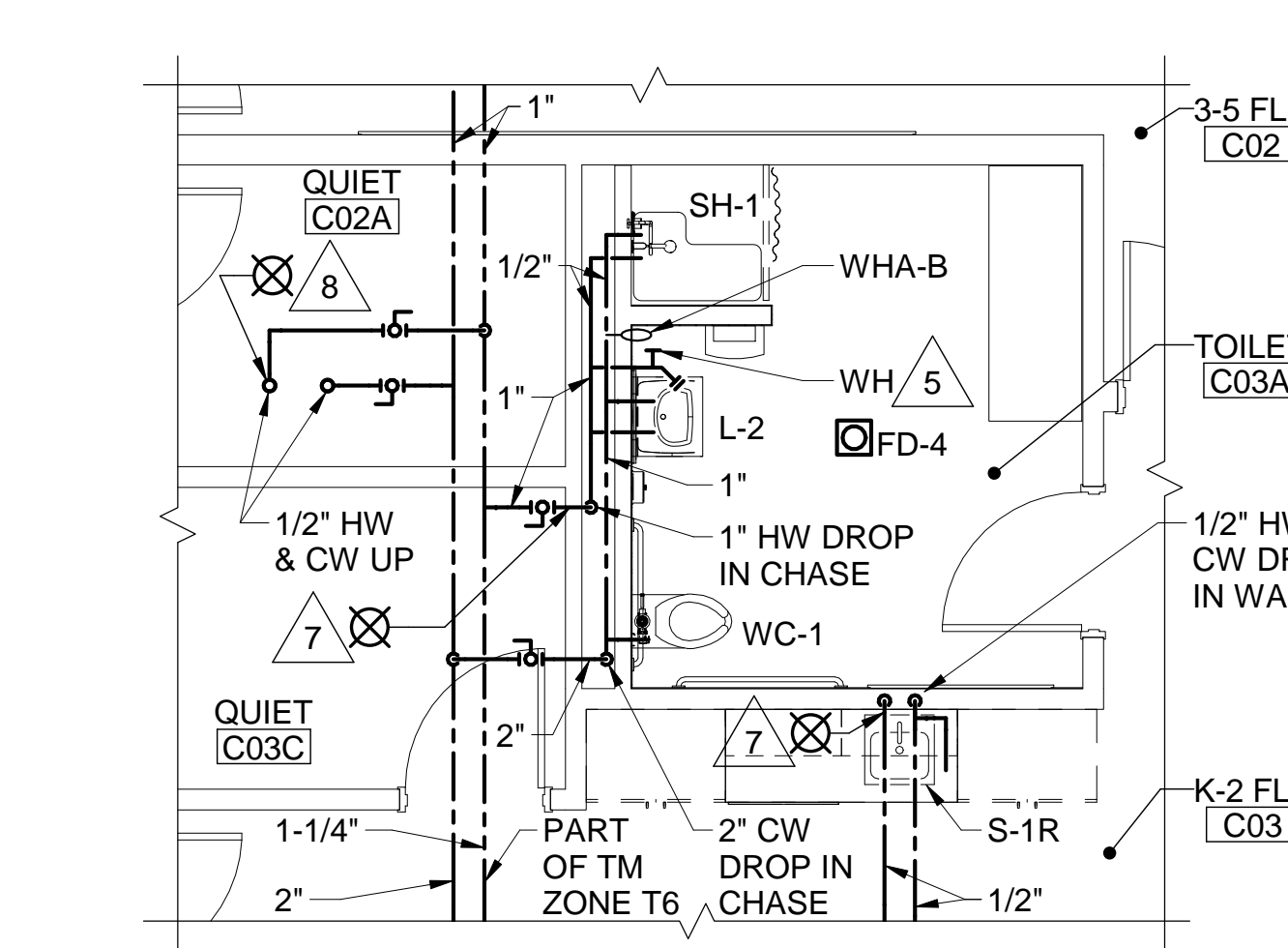
**5 TOILET C28 ENLARGED SANITARY PART PLAN**  
P-106 P-403 SCALE: 1/4" = 1'-0"



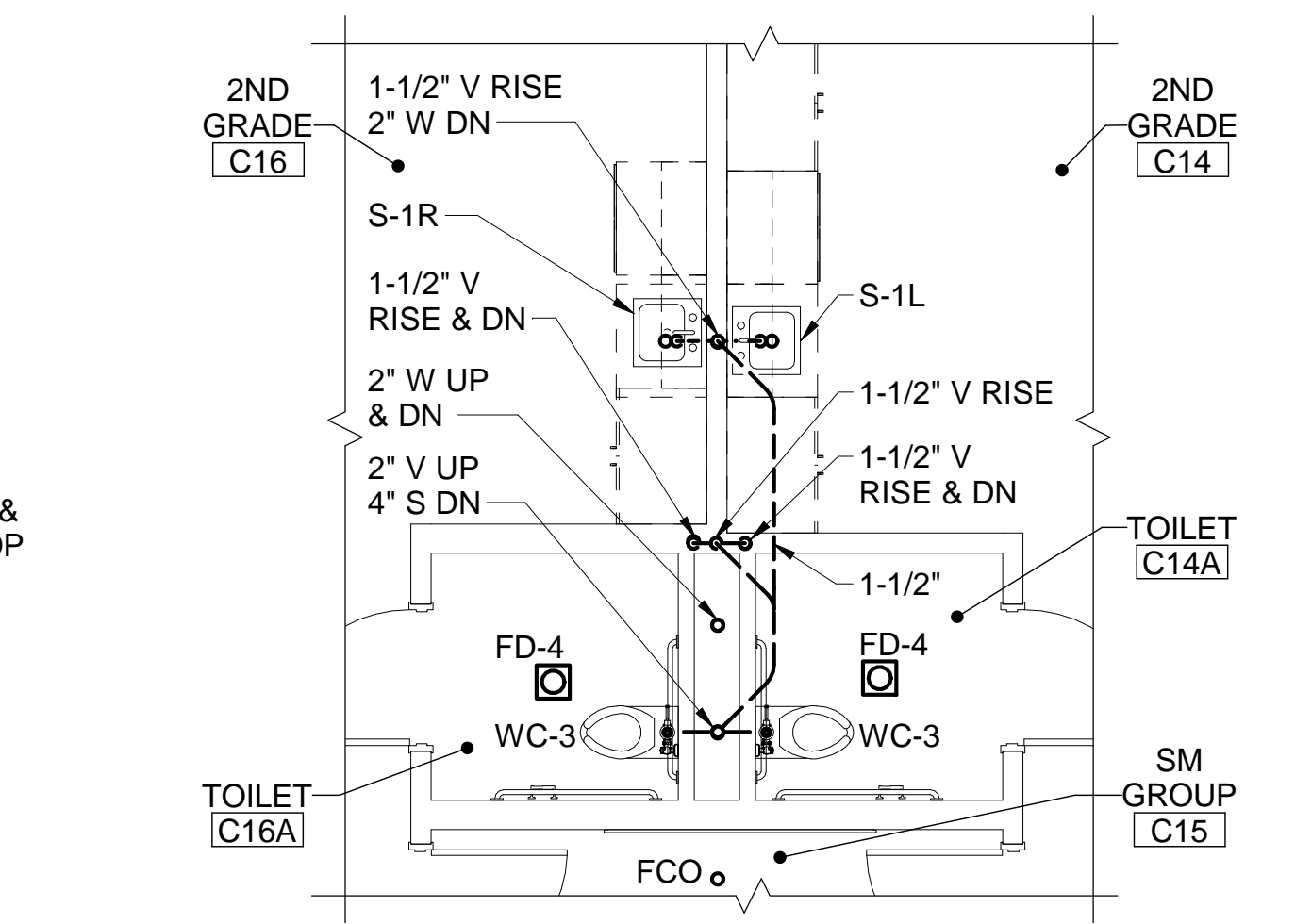
**6 TOILET C28 ENLARGED WATER SUPPLY PART PLAN**  
P-106 P-403 SCALE: 1/4" = 1'-0"



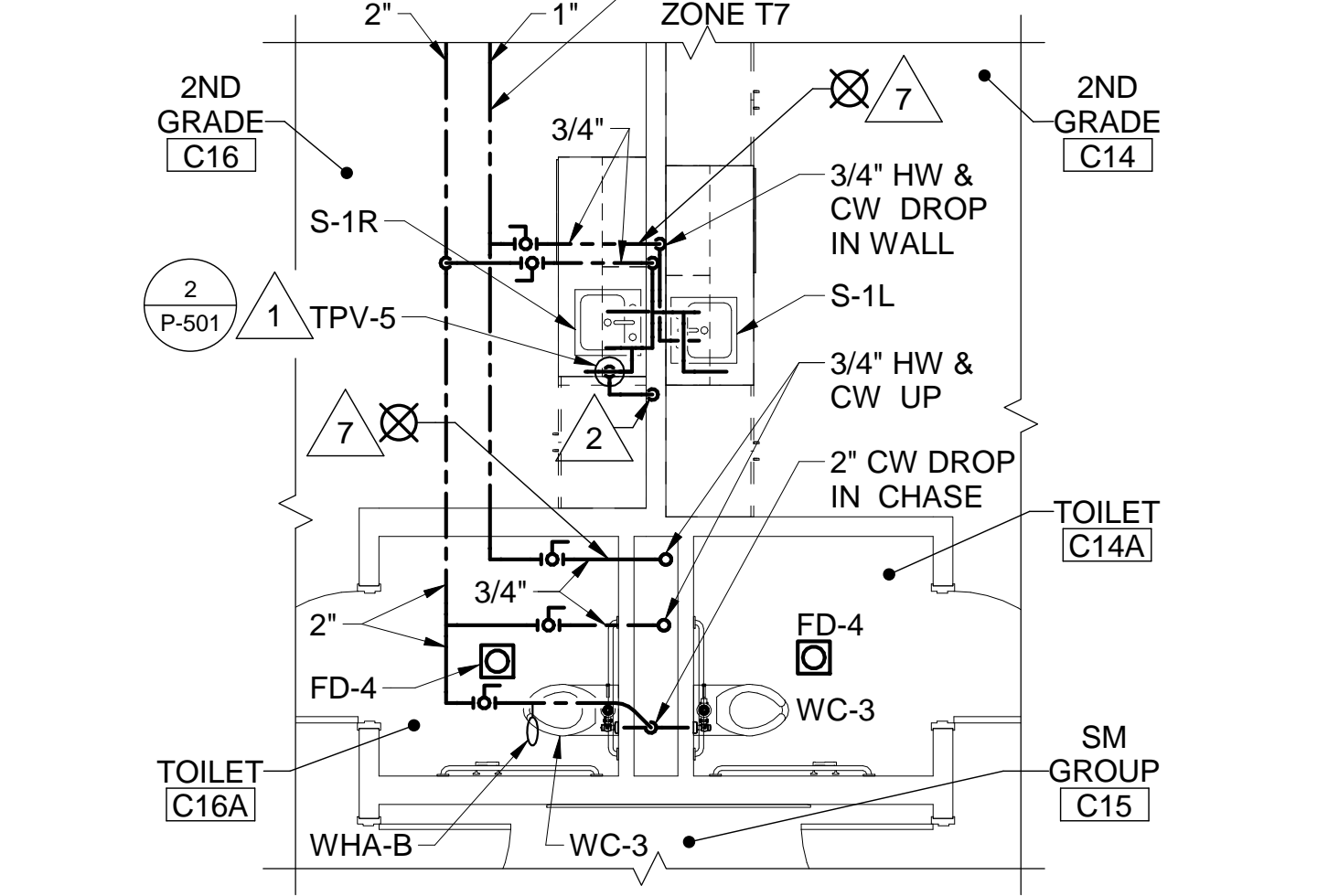
**7 TOILET C03A, K-2 FLS C03 & 3-5 FLS C02 ENLARGED SANITARY PART PLAN**  
P-106 P-403 SCALE: 1/4" = 1'-0"



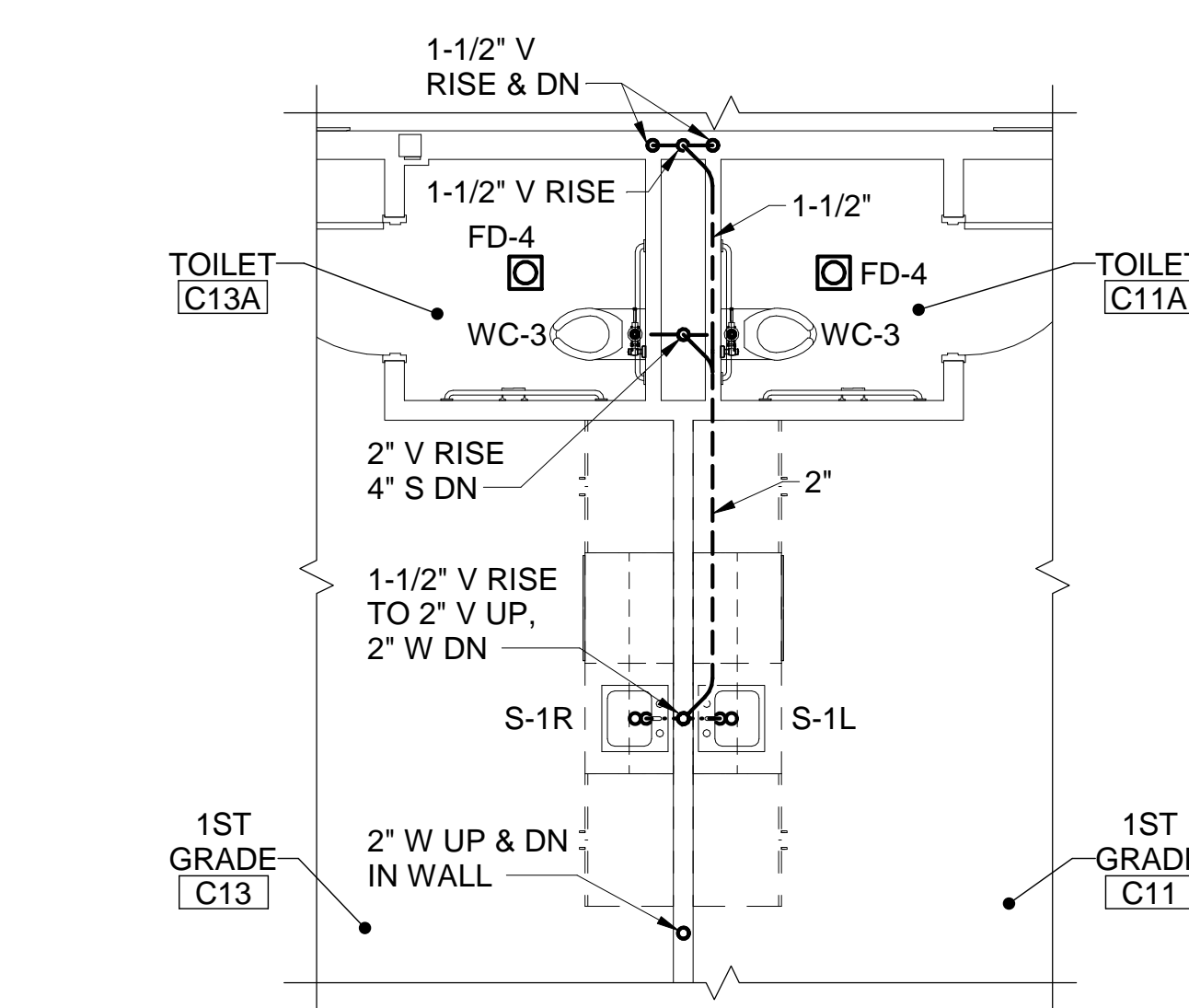
**8 TOILET C03A, K-2 FLS C03 & 3-5 FLS C02 ENLARGED WATER SUPPLY PART PLAN**  
P-106 P-403 SCALE: 1/4" = 1'-0"



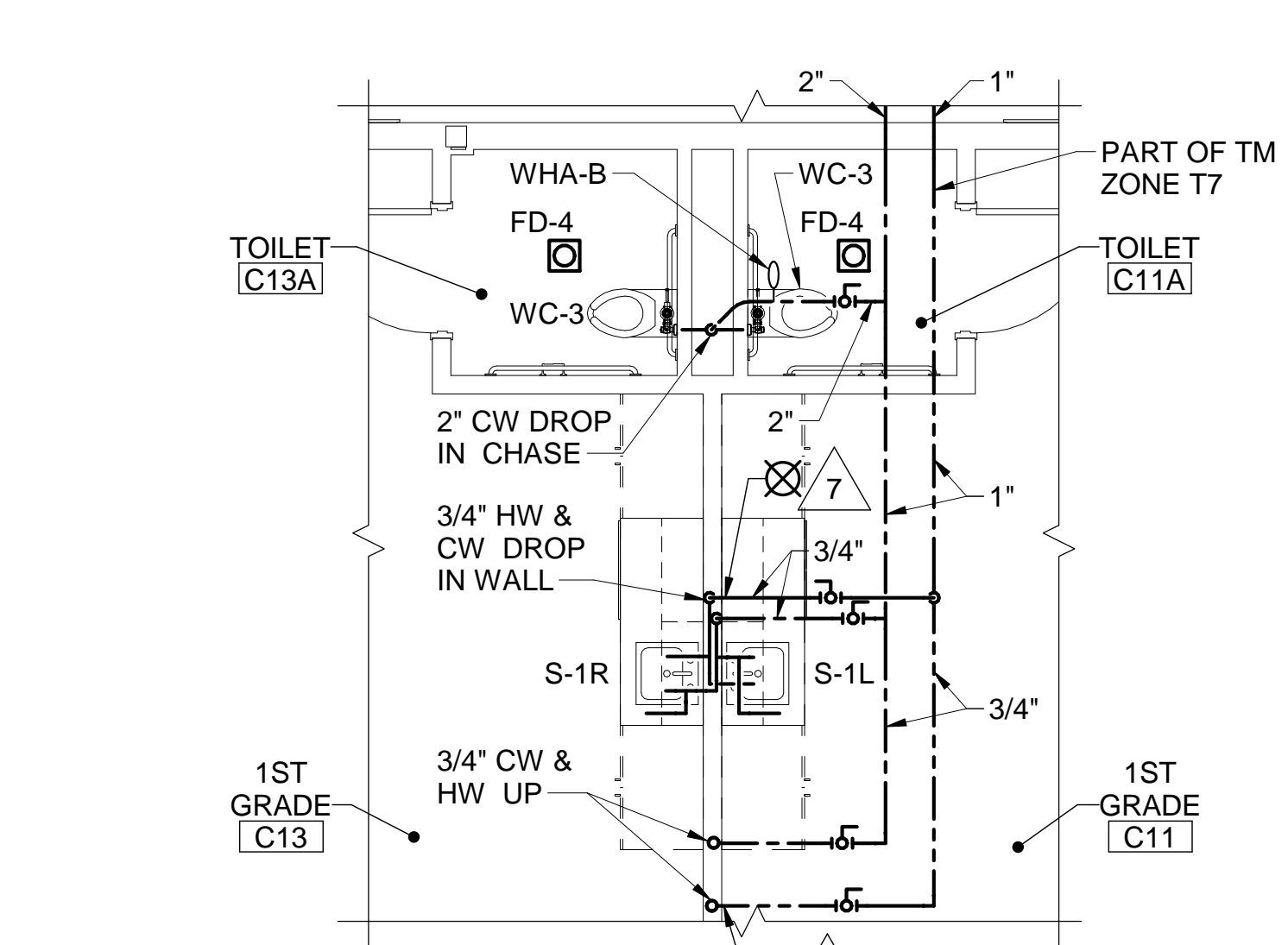
**9 TOILET C14A, C16A, 2ND GRADE C14 & C16 ENLARGED SANITARY PART PLAN**  
P-106 P-403 SCALE: 1/4" = 1'-0"



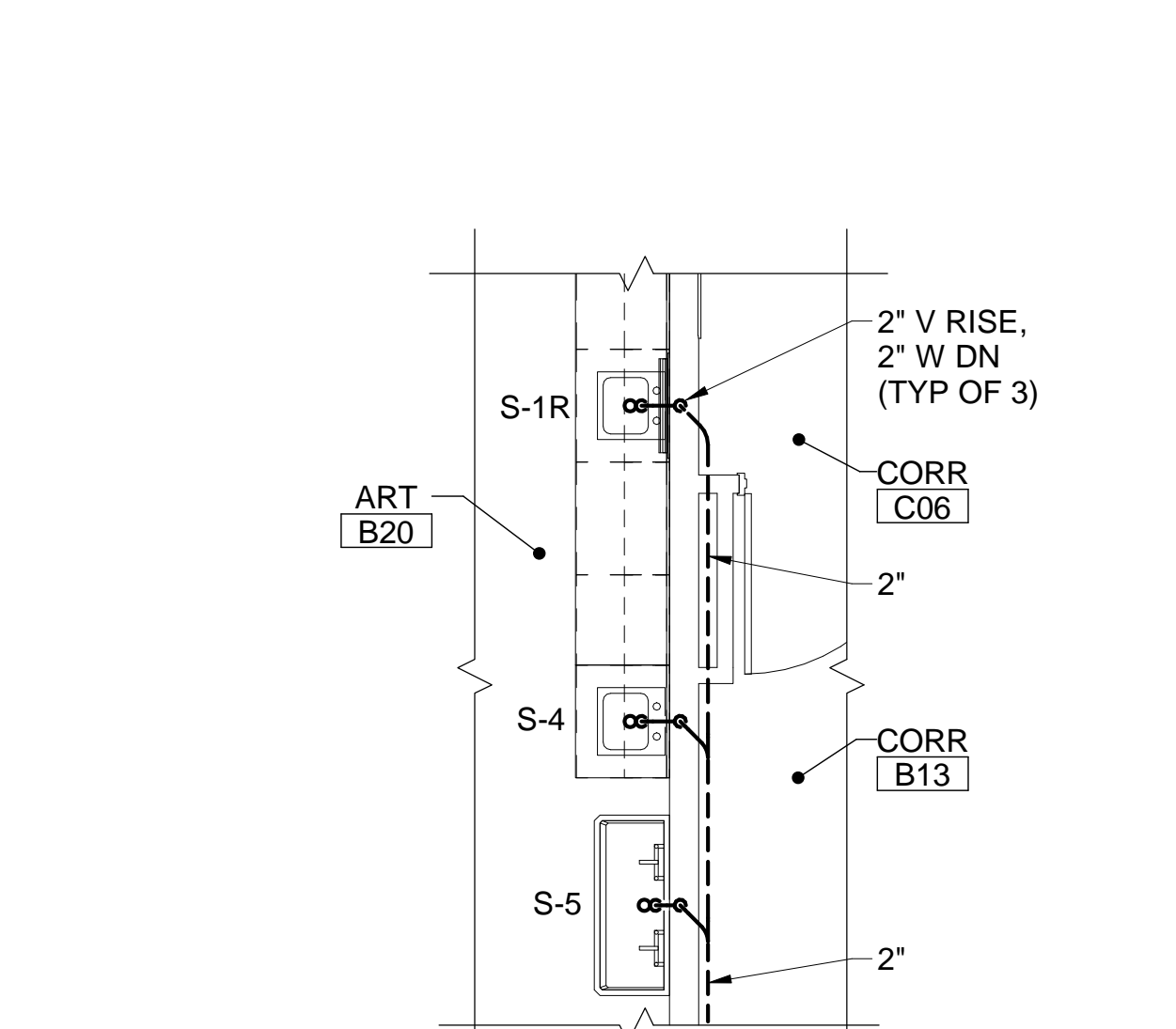
**10 TOILET C14A, C16A, 2ND GRADE C14 & C16 ENLARGED WATER SUPPLY PART PLAN**  
P-106 P-403 SCALE: 1/4" = 1'-0"



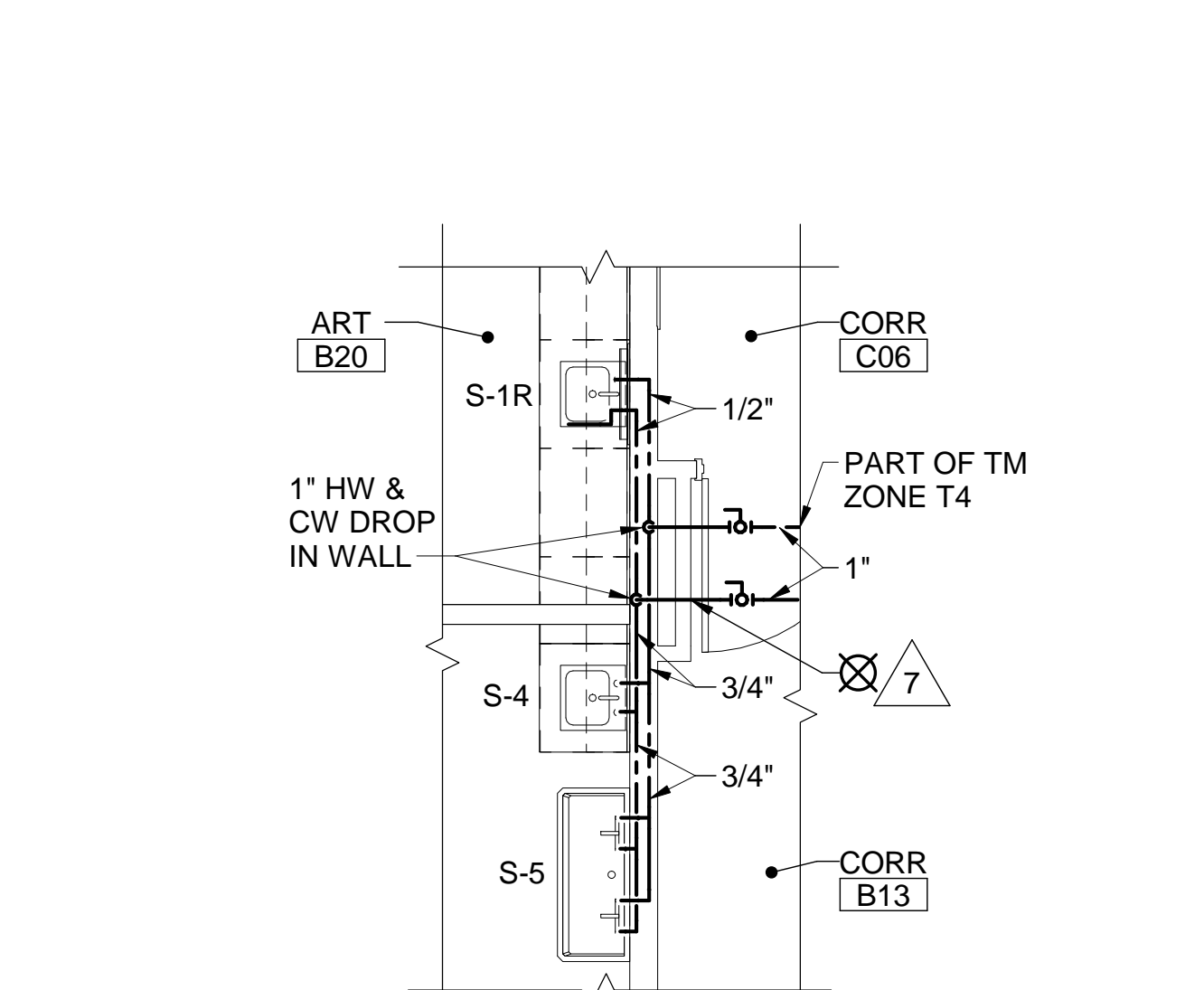
**11 TOILET C11A, C13A, 1ST GRADE C11 & C13 ENLARGED SANITARY PART PLAN**  
P-106 P-403 SCALE: 1/4" = 1'-0"



**12 TOILET C11A, C13A, 1ST GRADE C11 & C13 ENLARGED WATER SUPPLY PART PLAN**  
P-106 P-403 SCALE: 1/4" = 1'-0"



**13 ART B20 ENLARGED SANITARY PART PLAN**  
P-106 P-403 SCALE: 1/4" = 1'-0"



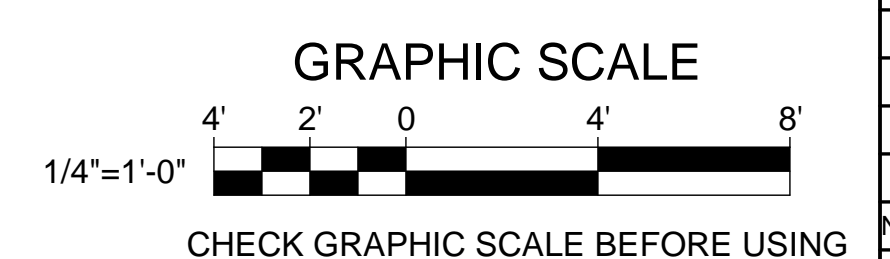
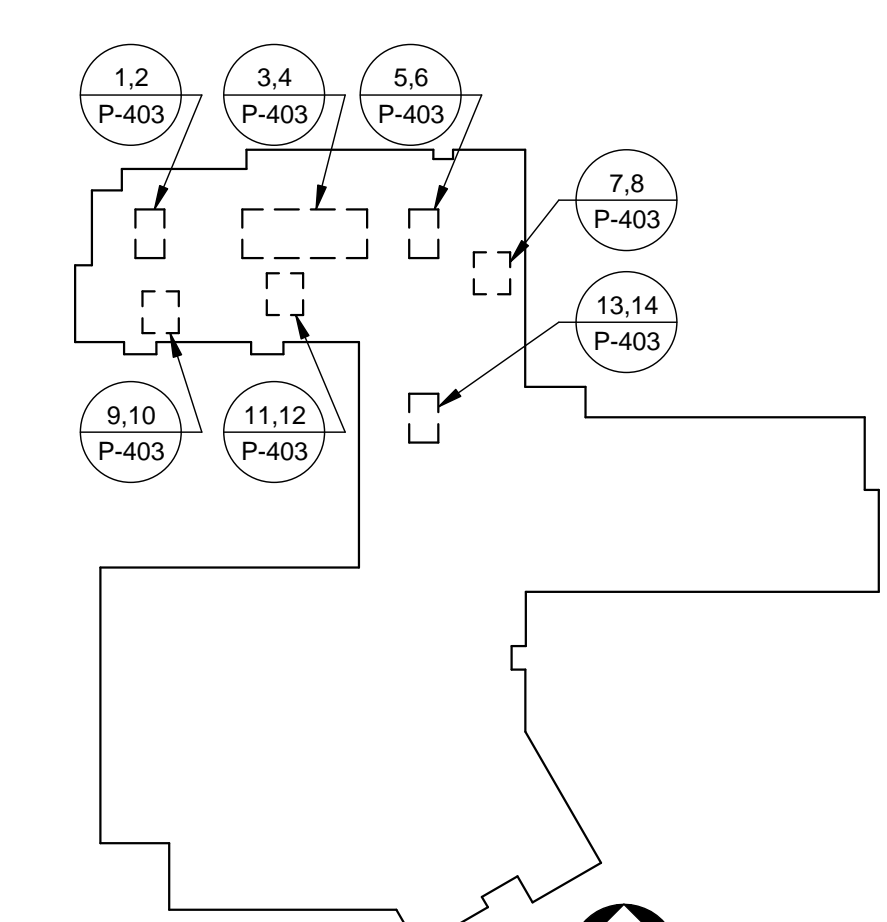
**14 ART B20 ENLARGED WATER SUPPLY PART PLAN**  
P-106 P-403 SCALE: 1/4" = 1'-0"

**DRAWING KEYNOTES**

- 1 EXTEND 1/2" CW TO TRAP PRIMER VALVE TPV-5 INSTALLED BELOW COUNTERTOP AND BEHIND SKIRT BOARD.
- 2 THREE 1/2" TP IN PEX DOWN IN WALL FROM TPV-5.
- 3 OFFSET VENT IN VERTICAL TO RISE IN STUD WALL CAVITY ABOVE.
- 4 PROVIDE WALL CLEANOUT AT 12"± AFF AT BASE OF SANITARY RISER.
- 5 EXTEND 3/4" HW IN CHASE TO NARROW WALL WH INSTALLED AT 12"± AFF TO CENTERLINE AND BELOW WALL HUNG LAVATORY.
- 6 1/2" TP IN COPPER ABOVE CEILING OR AT STRUCTURE ABOVE.
- 7 TERMINATE TEMPER MAINTENANCE CABLE AT WALL PENETRATION.
- 8 TERMINATE TEMPER MAINTENANCE CABLE AT FLOOR PENETRATION ABOVE.

**DRAWING NOTES**

1. REFER TO GENERAL NOTES ON P-001 FOR REQUIRED PIPE SLOPES.
2. FIRST FLOOR FINISHED FLOOR ELEVATION IS 68.0' UNLESS OTHERWISE INDICATED.
3. FOR FLOOR AND PIPE PENETRATION DETAILS, REFER TO SHEET P-501.
4. FOR HANGER AND SUPPORT DETAILS, REFER TO SHEET P-501.
5. FOR PROJECT PHASING, MOSTLY RELATED TO SITE UTILITY WORK, REFER TO CIVIL SHEETS CP101, CU101 AND CU102.



**KEYPLAN**  
NOT TO SCALE  
PLAN NORTH

**STATE OF MAINE PUBLIC SCHOOL PROJECT**  
TITLE: PORTLAND PUBLIC SCHOOLS  
NEW FRED P. HALL ELEMENTARY SCHOOL  
LOCATION: 23 ORONO ROAD, PORTLAND, ME  
TITLE THIS DRAWING: ENLARGED PLUMBING PART PLANS 3

**OAK POINT ASSOCIATES**  
DRAWING NO. P-403  
SHEET NO. 269 OF 312

DRAWN BY: KLG  
CHECKED BY: MSA  
DATE: 04/04/17