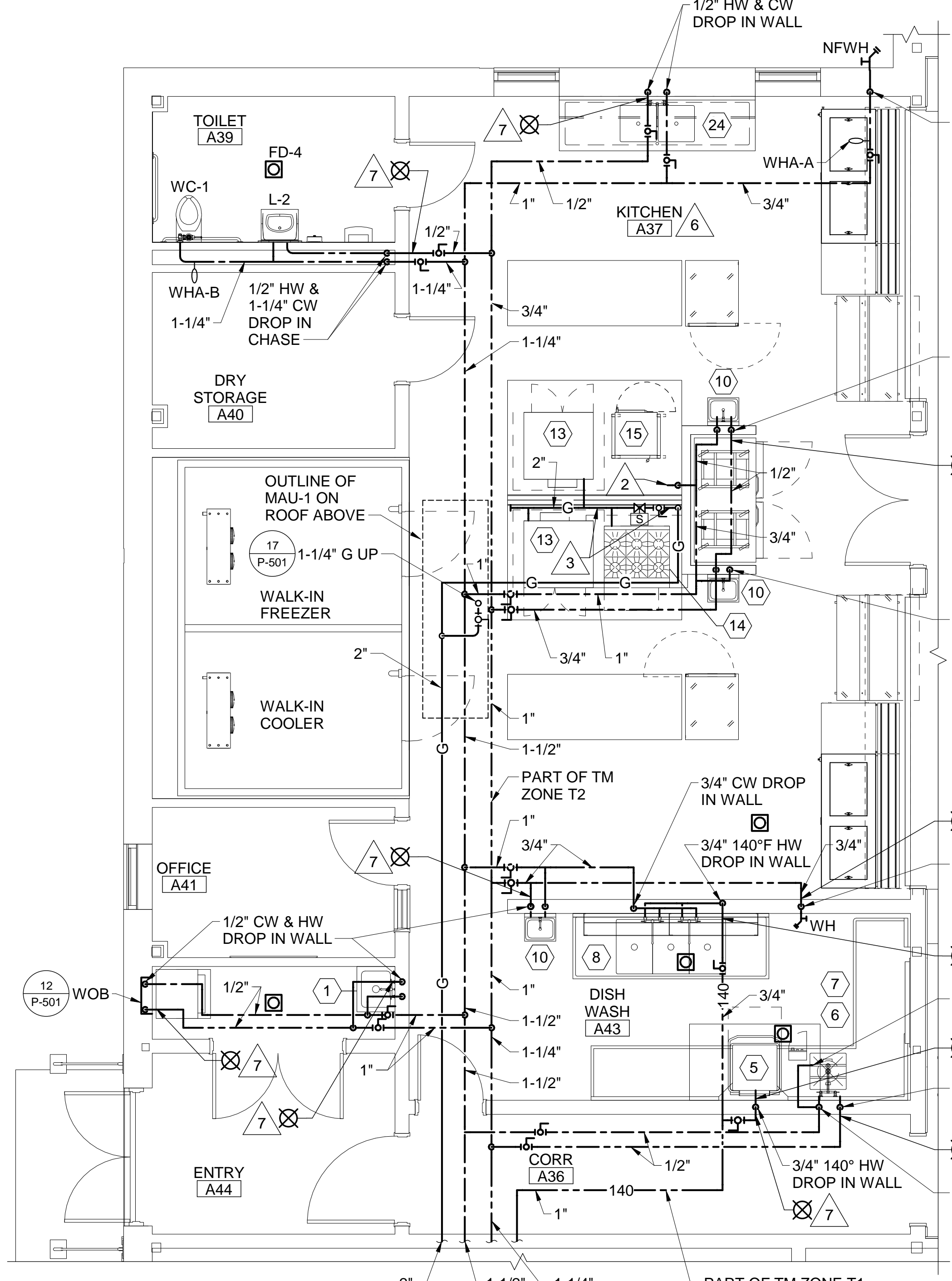
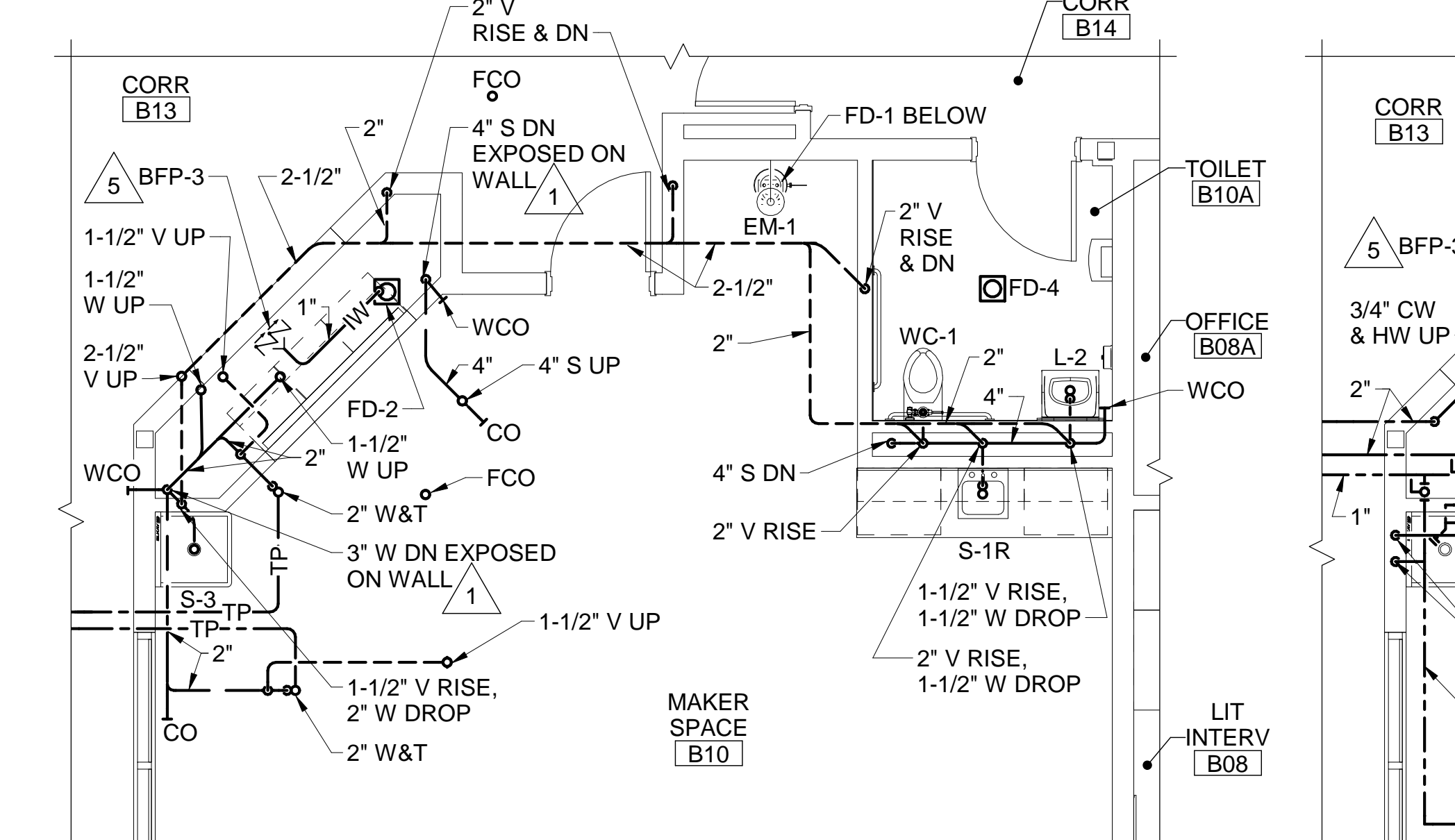


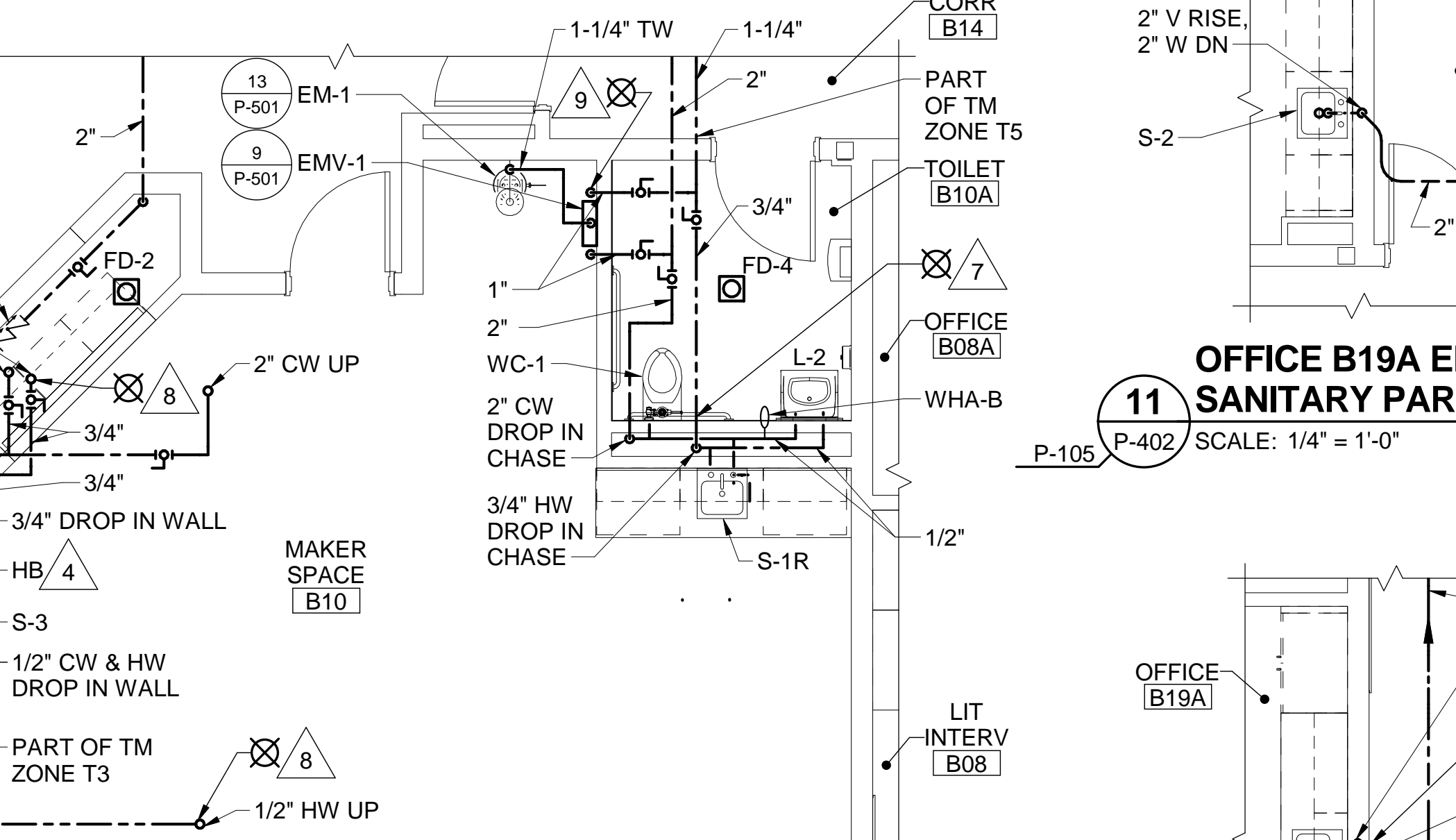
1 ROOM A37 FIRST FLOOR SANITARY PART PLAN
P-104 P-402 SCALE: 1/4" = 1'-0"



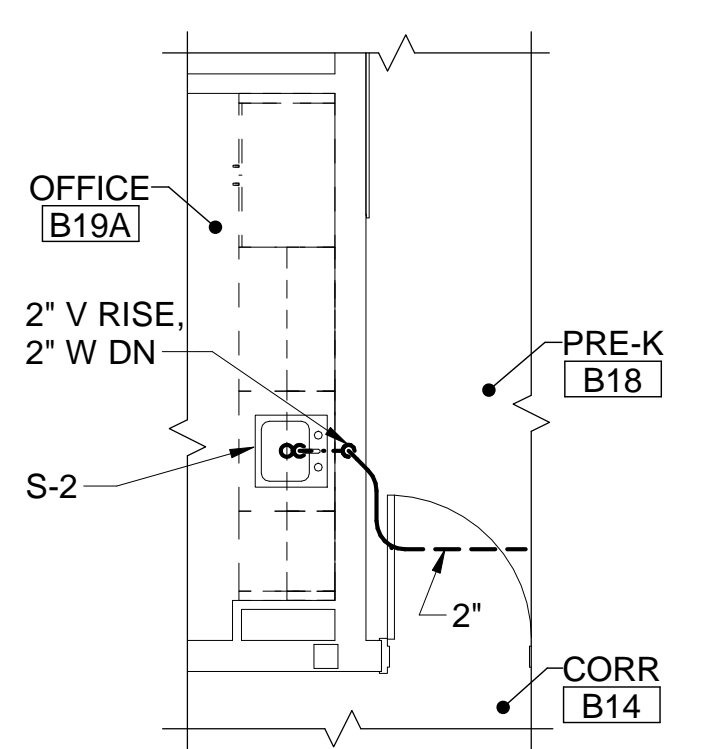
2 ROOM A37 FIRST FLOOR WATER SUPPLY PART PLAN
P-104 P-402 SCALE: 1/4" = 1'-0"



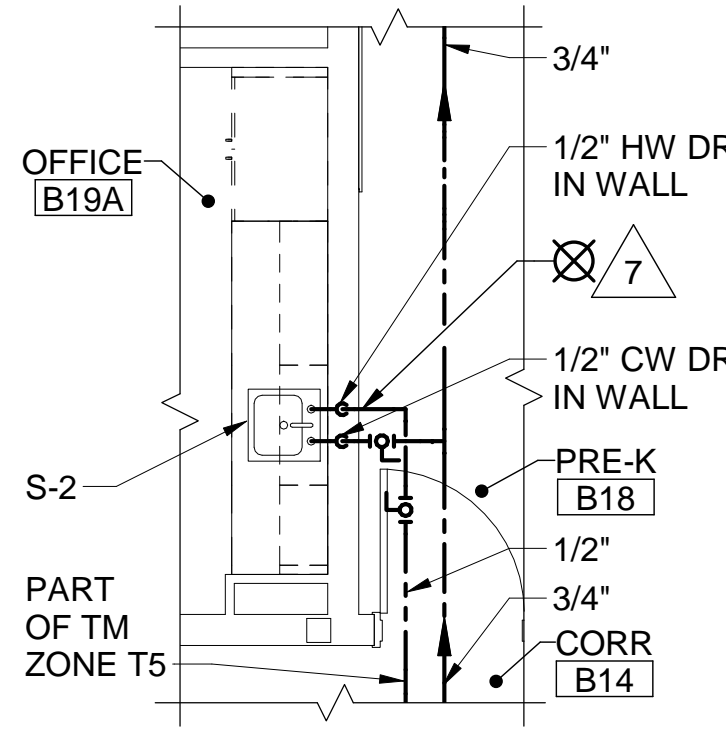
9 TOILET B10A ENLARGED SANITARY PART PLAN
P-105 P-402 SCALE: 1/4" = 1'-0"



10 TOILET B10A ENLARGED WATER SUPPLY PART PLAN
P-105 P-402 SCALE: 1/4" = 1'-0"



11 OFFICE B19A ENLARGED SANITARY PART PLAN
P-105 P-402 SCALE: 1/4" = 1'-0"



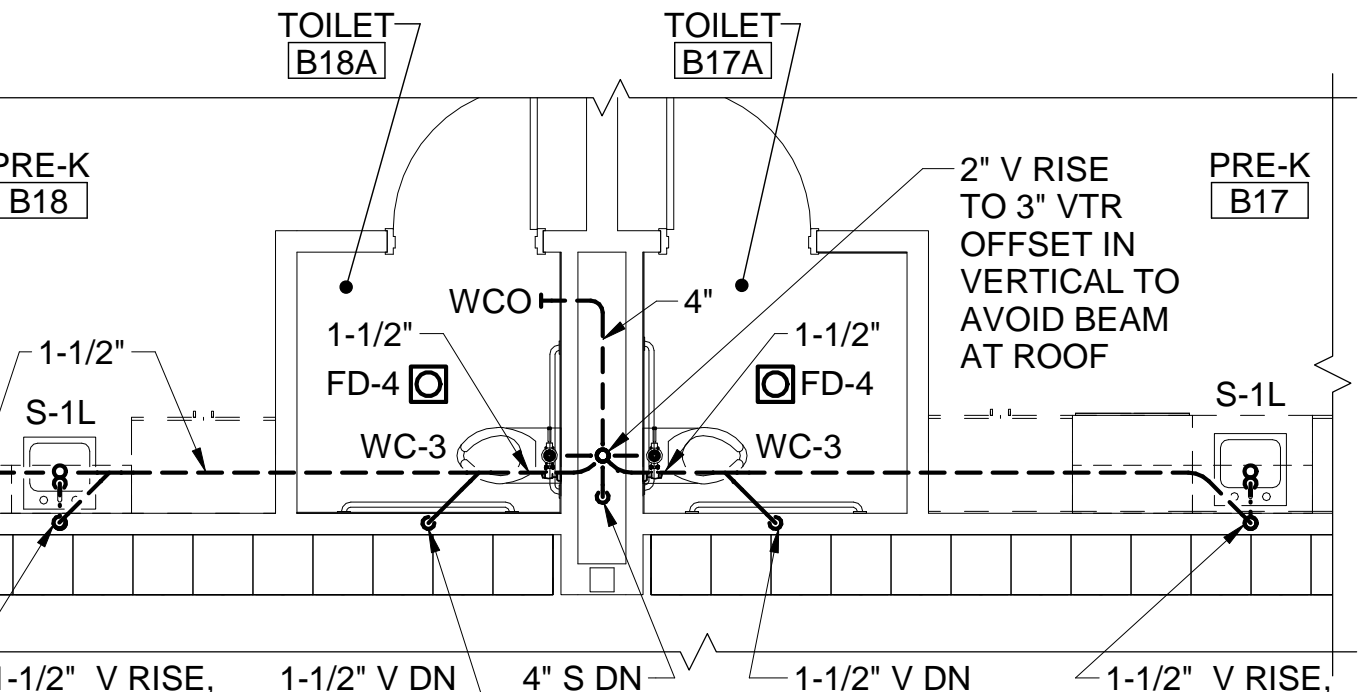
12 OFFICE B19A ENLARGED WATER SUPPLY PART PLAN
P-105 P-402 SCALE: 1/4" = 1'-0"

DRAWING NOTES

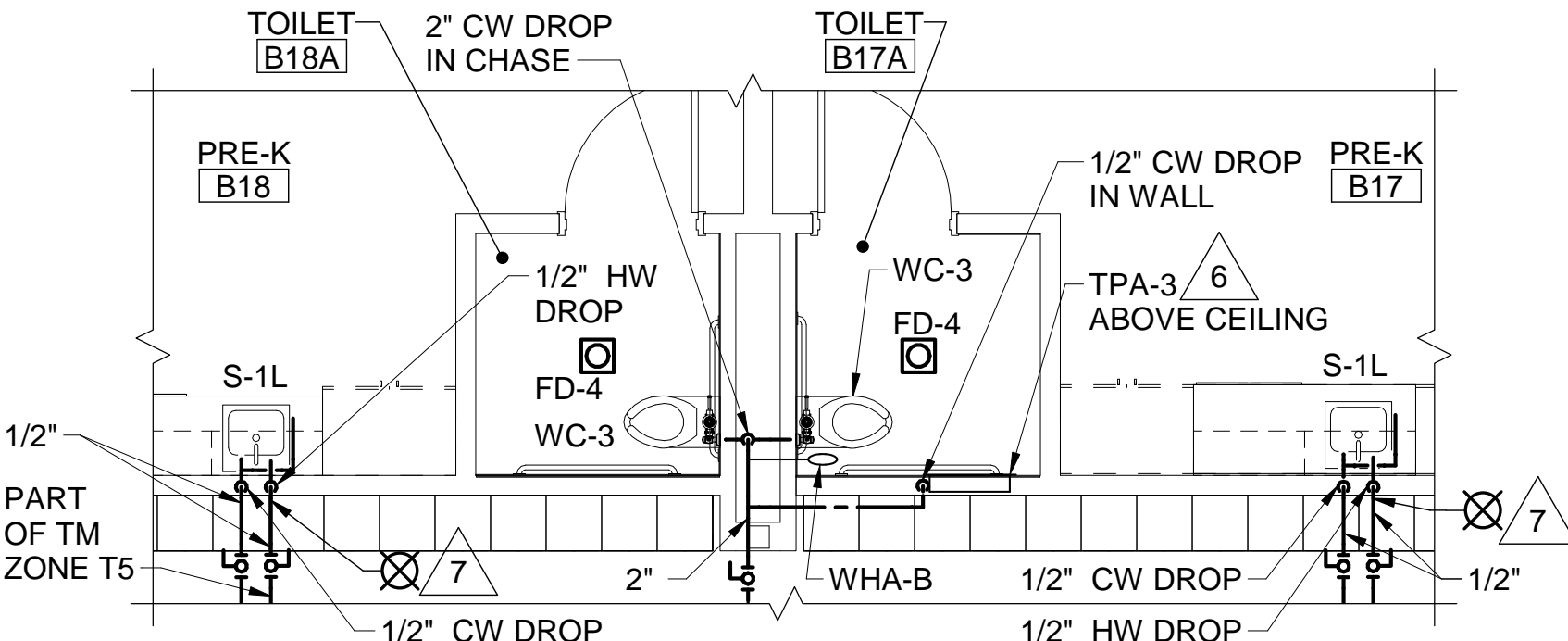
- REFER TO GENERAL NOTES ON P-001 FOR REQUIRED PIPE SLOPES.
- FIRST FLOOR FINISHED FLOOR ELEVATION IS 68.0' UNLESS OTHERWISE INDICATED.
- FOR FLOOR AND PIPE PENETRATION DETAILS, REFER TO SHEET P-501.
- FOR HANGER AND SUPPORT DETAILS, REFER TO SHEET P-501.
- FOR PROJECT PHASING, MOSTLY RELATED TO SITE UTILITY WORK, REFER TO CIVIL SHEETS CP101, CU101 AND CU102.

DRAWING KEYNOTES

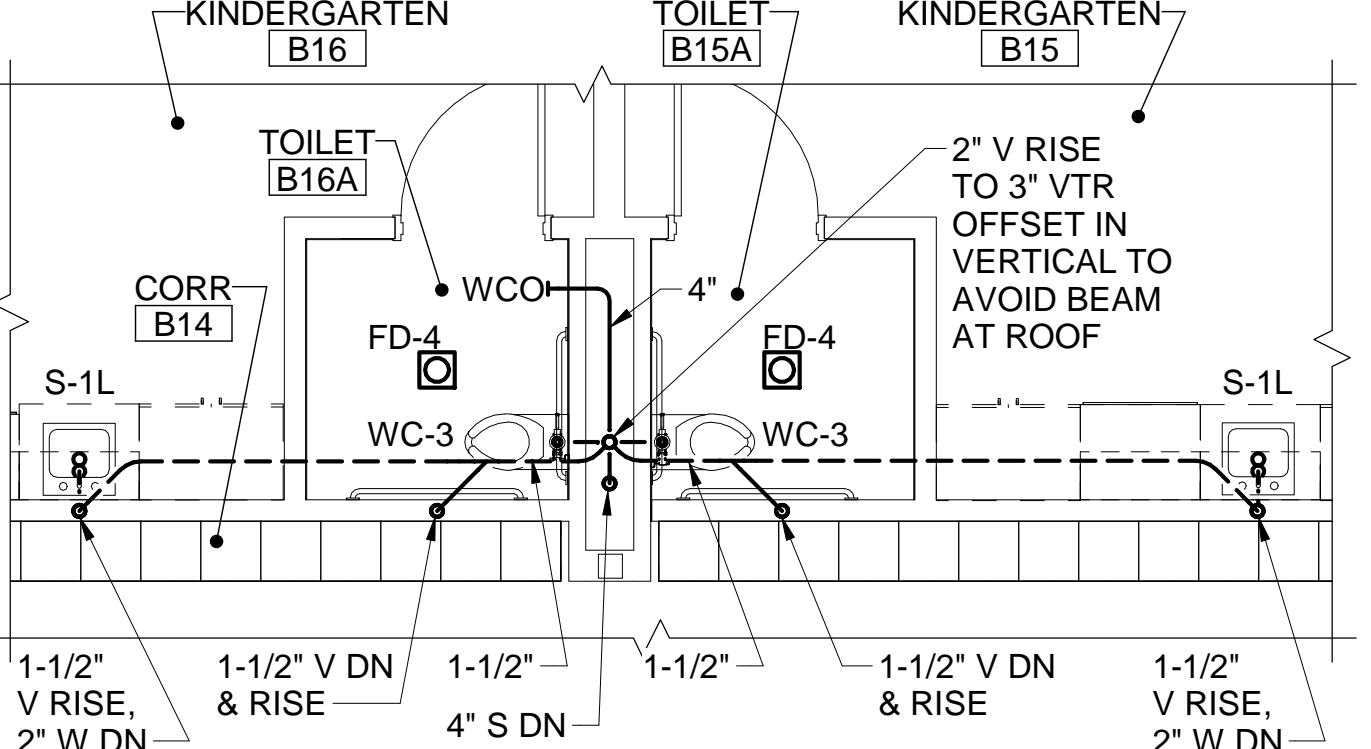
- COORDINATE PIPE HANGER INSTALLATION WITH KITCHEN EQUIPMENT MANUFACTURER'S REQUIREMENTS.
- 3/4" CW DROP TO 12" AFF EXPOSED ON WALL. PROVIDE ISOLATION VALVE IN VERTICAL AND TWO 3/4" TEES FOR CONNECTION TO ITEM 15, DOUBLE STEAMER, IN ACCORDANCE WITH EQUIPMENT MANUFACTURER'S WRITTEN INSTRUCTIONS.
- 2" G DROP DN EXPOSED ON WALL WITH DIRT LEG PER 17/P-501. INSTALL HORIZONTAL HEADER AT 24" AFF EXPOSED ON WALL WITH ISOLATION AND SOLENOID SHUT-OFF VALVE. PROVIDE BRANCH TEE WITH VALVE AND UNION FOR EACH EQUIPMENT CONNECTION.
- PROVIDE SURFACE MOUNTED HOSE BIBB WITH WHEEL OPERATOR SET WITH OUTLET 8" ABOVE SINK RIM BELOW.
- INSTALL BACKFLOW PREVENTER ON WALL BELOW FISH TANK. EXTEND INDIRECT WASTE TO FLOOR DRAIN FUNNEL.
- 1/2" TP IN COPPER TUBING ABOVE CEILING FROM TRAP PRIMER ASSEMBLY.
- INSTALL TPA-3 RECESSED IN WALL ABOVE CEILING. PROVIDE NINE 1/2" TP IN PEX DOWN IN WALL FROM TRAP PRIMER ASSEMBLY.
- TERMINATE TEMPERATURE MAINTENANCE CABLE AT WALL PENETRATION.
- TERMINATE TEMPERATURE MAINTENANCE CABLE AT FLOOR PENETRATION ABOVE.
- TERMINATE TEMPERATURE MAINTENANCE CABLE AT EMV-1 CABINET.



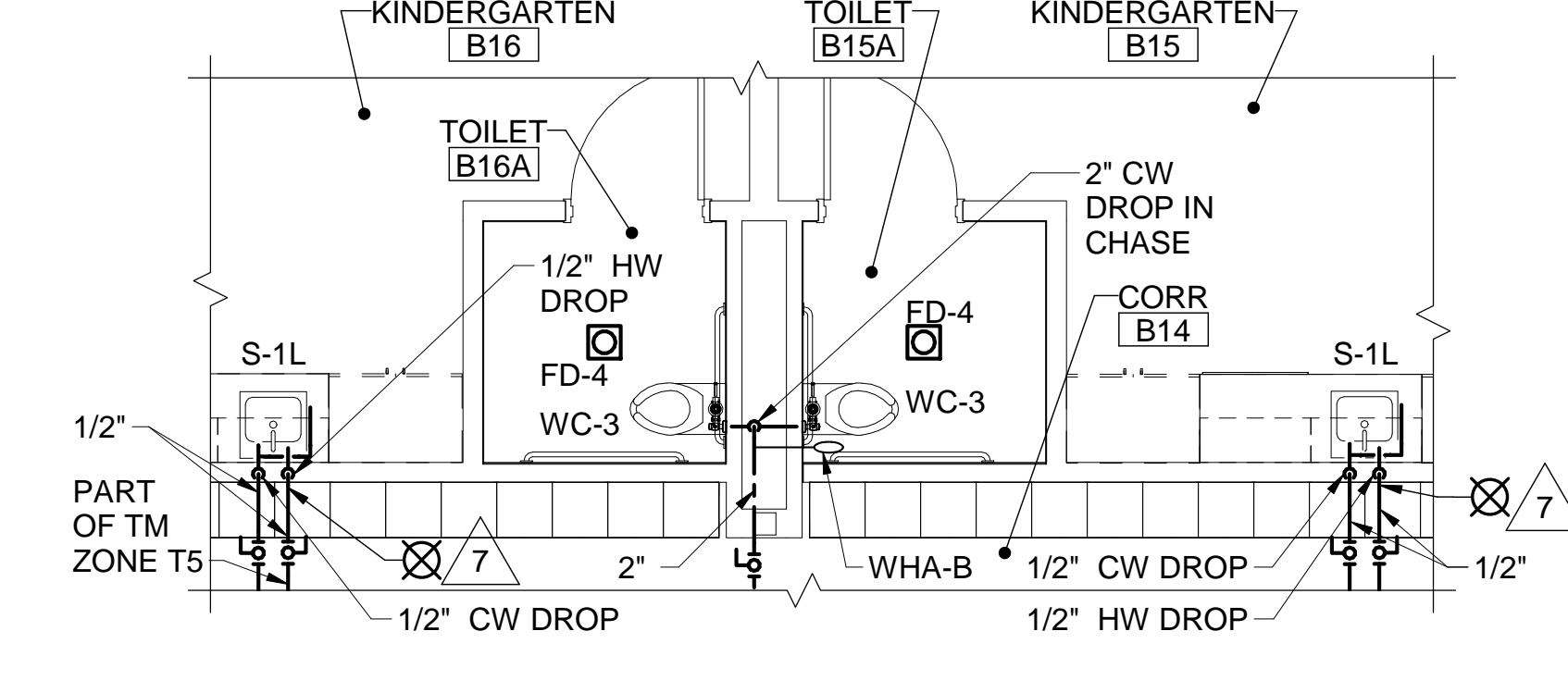
3 TOILET B17A & B18A ENLARGED SANITARY PART PLAN
P-105 P-402 SCALE: 1/4" = 1'-0"



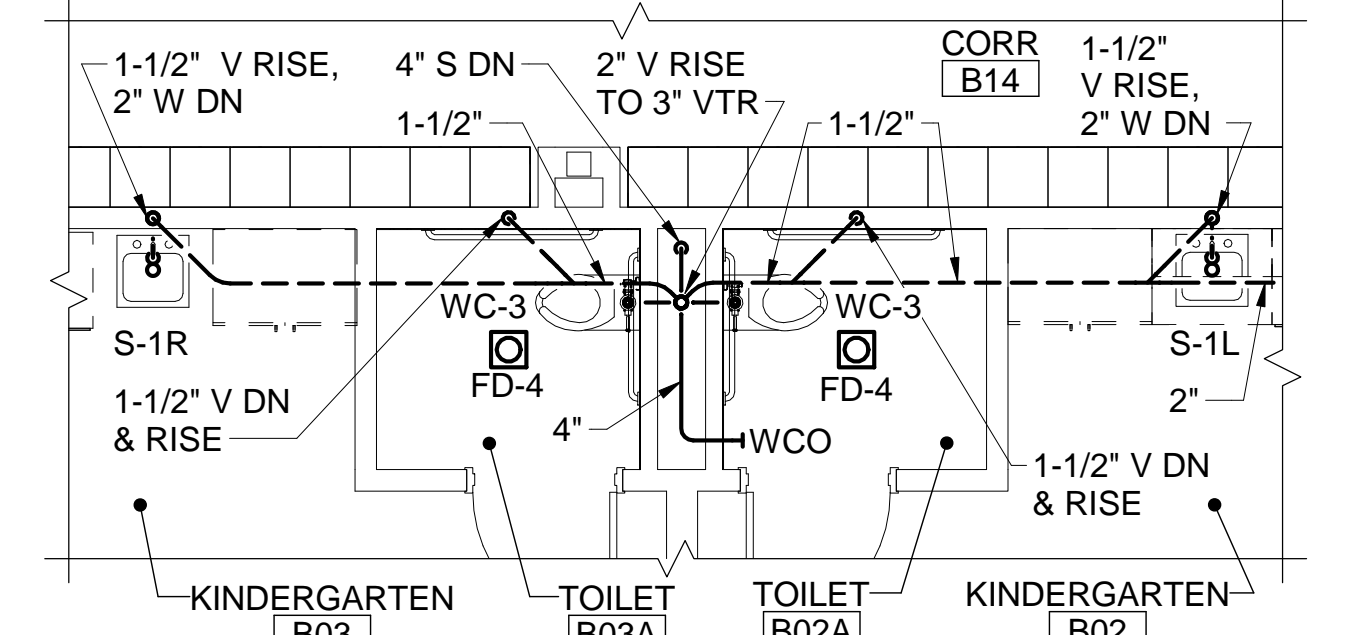
4 TOILET B17A & B18A ENLARGED WATER SUPPLY PART PLAN
P-105 P-402 SCALE: 1/4" = 1'-0"



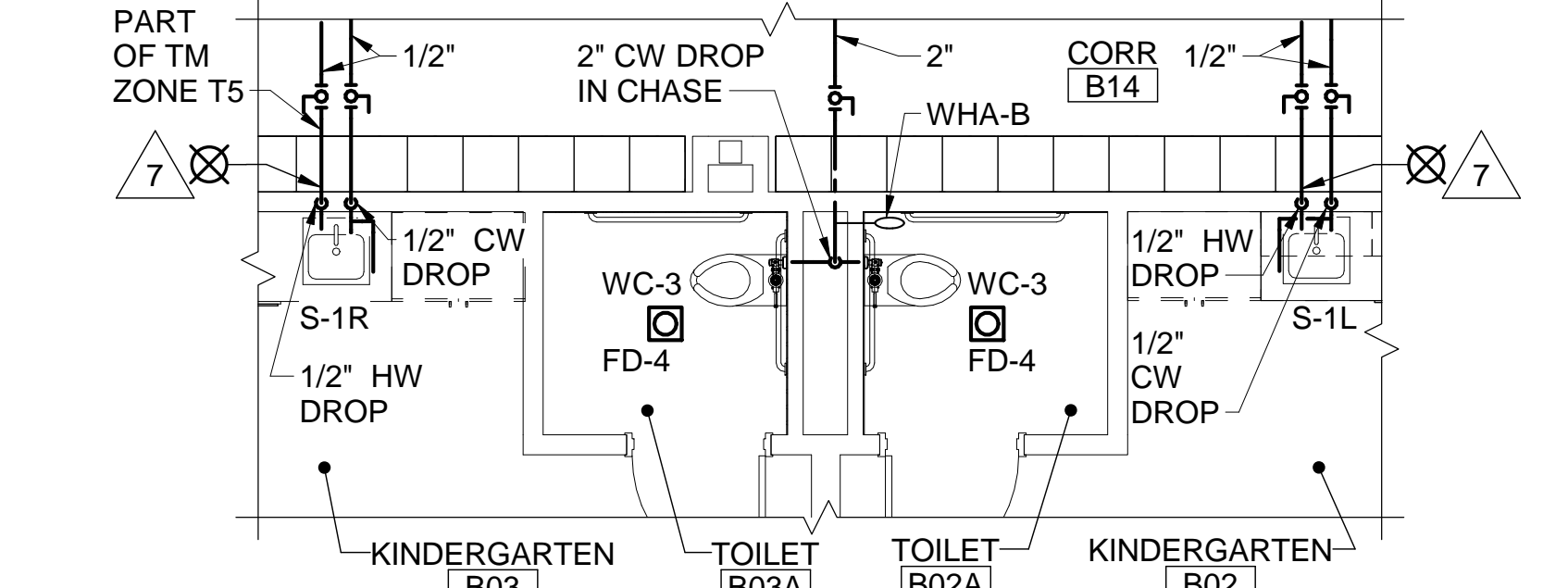
5 TOILET B15A & B16A ENLARGED SANITARY PART PLAN
P-105 P-402 SCALE: 1/4" = 1'-0"



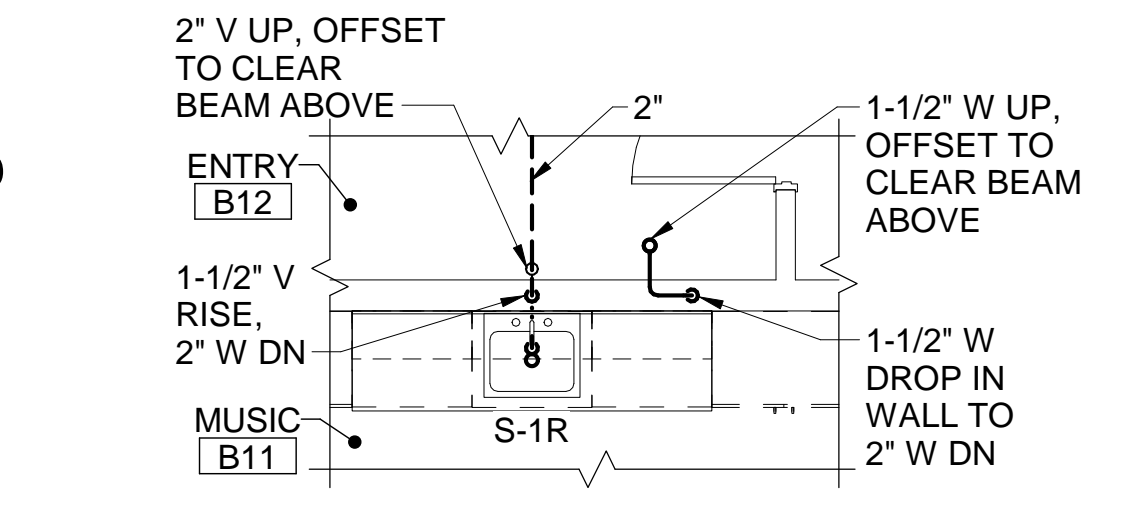
6 TOILET B15A & B16A ENLARGED WATER SUPPLY PART PLAN
P-105 P-402 SCALE: 1/4" = 1'-0"



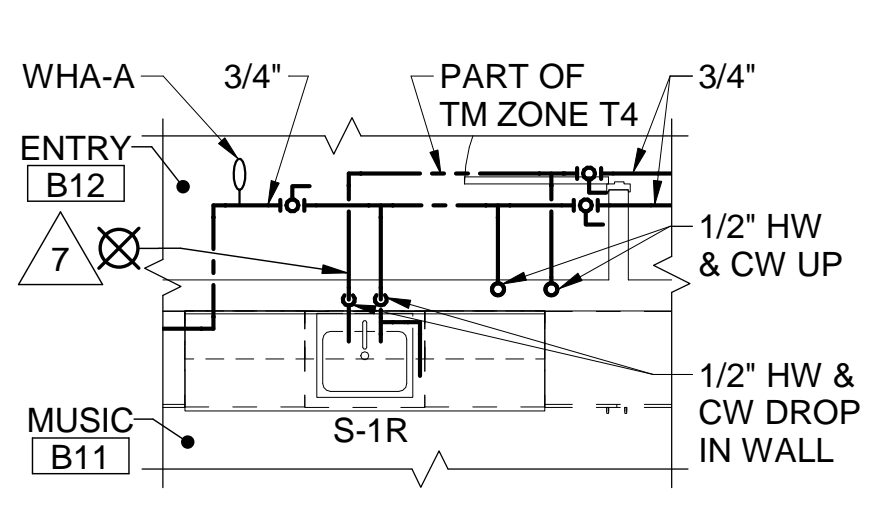
7 TOILET B02A & B03A ENLARGED SANITARY PART PLAN
P-105 P-402 SCALE: 1/4" = 1'-0"



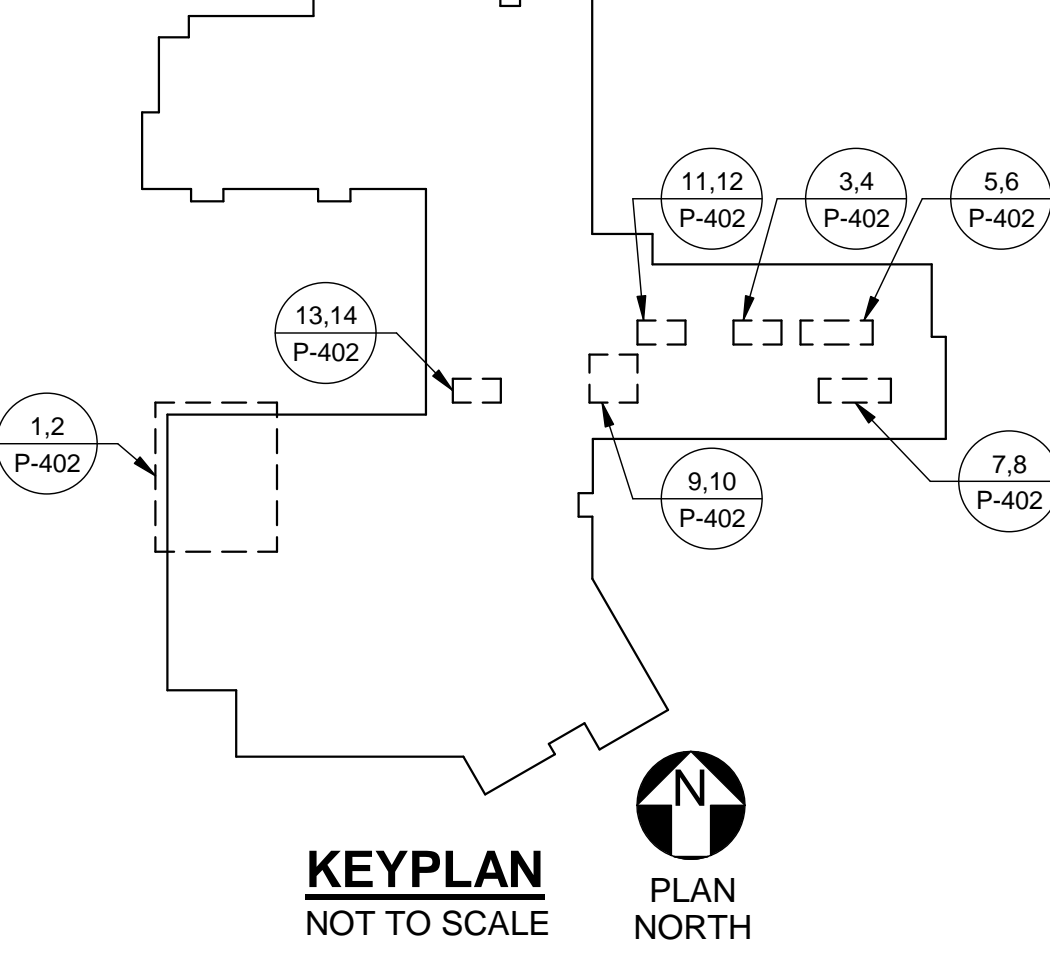
8 TOILET B02A & B03A ENLARGED WATER SUPPLY PART PLAN
P-105 P-402 SCALE: 1/4" = 1'-0"



13 MUSIC B11 ENLARGED SANITARY PART PLAN
P-105 P-402 SCALE: 1/4" = 1'-0"

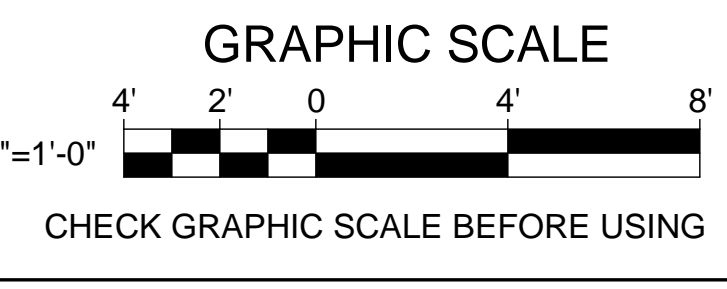


14 MUSIC B11 ENLARGED WATER SUPPLY PART PLAN
P-105 P-402 SCALE: 1/4" = 1'-0"



KEYPLAN
NOT TO SCALE
PLAN NORTH

SHEET HAS BEEN RE-ISSUED AS PART OF ADDENDUM #1, DATED 04/04/17. MISSING PIPE SIZES AND TEMPERATURE MAINTENANCE ZONES HAVE BEEN PROVIDED THROUGHOUT.



STATE OF MAINE PUBLIC SCHOOL PROJECT		DRAWN BY: KLG	
TITLE: PORTLAND PUBLIC SCHOOLS NEW FRED P. HALL ELEMENTARY SCHOOL LOCATION: 23 ORONO ROAD, PORTLAND, ME		CHECK BY: AJK	
TITLE THIS DWG: ENLARGED PLUMBING PART PLANS 2		DATE: 04/04/17	
NO.	DATE	DESCRIPTION	BY
1	4/4/17	ADDENDUM #1	MSA