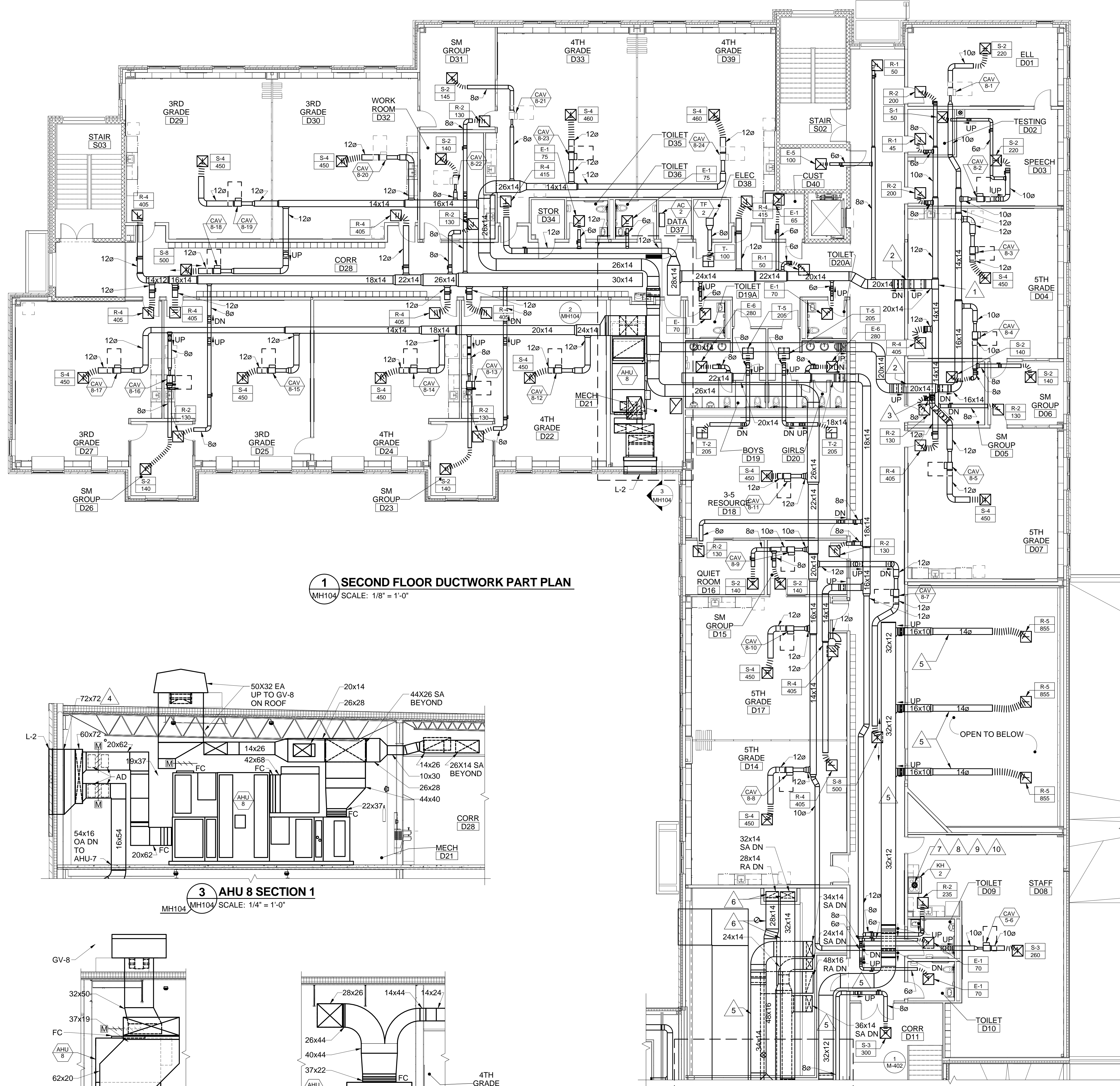


DRAWING KEYNOTES

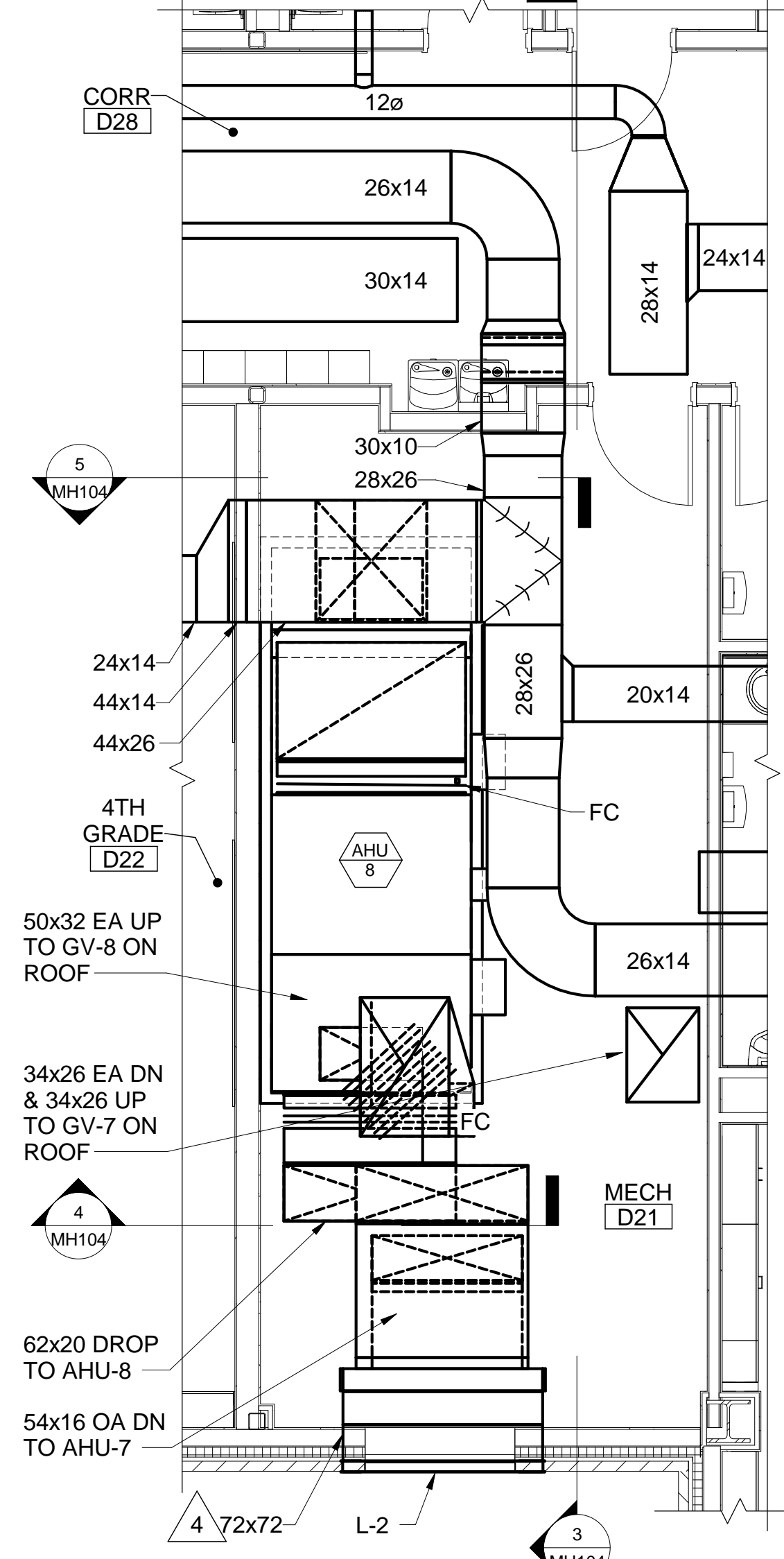
- 1 TURNING VANES IN TEE.
- 2 REFER TO STRUCTURAL DRAWINGS FOR PENETRATION DETAIL.
- 3 INSTALL DUCT THROUGH OPENING IN STRUCTURAL JOIST.
- 4 PROVIDE 3-INCHES OF RIGID INSULATION ON OA PLENUM BETWEEN THE LOUVER AND THE OA ISOLATION DAMPERS.
- 5 PROVIDE 2"-THICK INSULATION WITH VAPOR BARRIER FOR SUPPLY & RETURN DUCTWORK SERVING THE LIBRARY.
- 6 PROVIDE 2"-THICK INSULATION WITH VAPOR BARRIER ON SUPPLY AND RETURN DUCTWORK ASSOCIATED WITH AHU-6.
- 7 PROVIDE HIGH-TEMPERATURE RATED "FIRE-WRAP" INSULATION ON KITCHEN EXHAUST HOOD DUCTWORK.
- 8 COMMERCIAL KITCHEN RANGE HOOD PER NFPA 96 WITH 36X42 HOOD CENTERED OVER RANGE. FOR HOOD AND DUCT INSTALLATION REFER TO 15 M-502.
- 9 REFER TO P-108 FOR ROOF LOCATION.
- 10 PROVIDE TRANSITION AT EXHAUST FAN AS NEEDED.

DRAWING NOTES

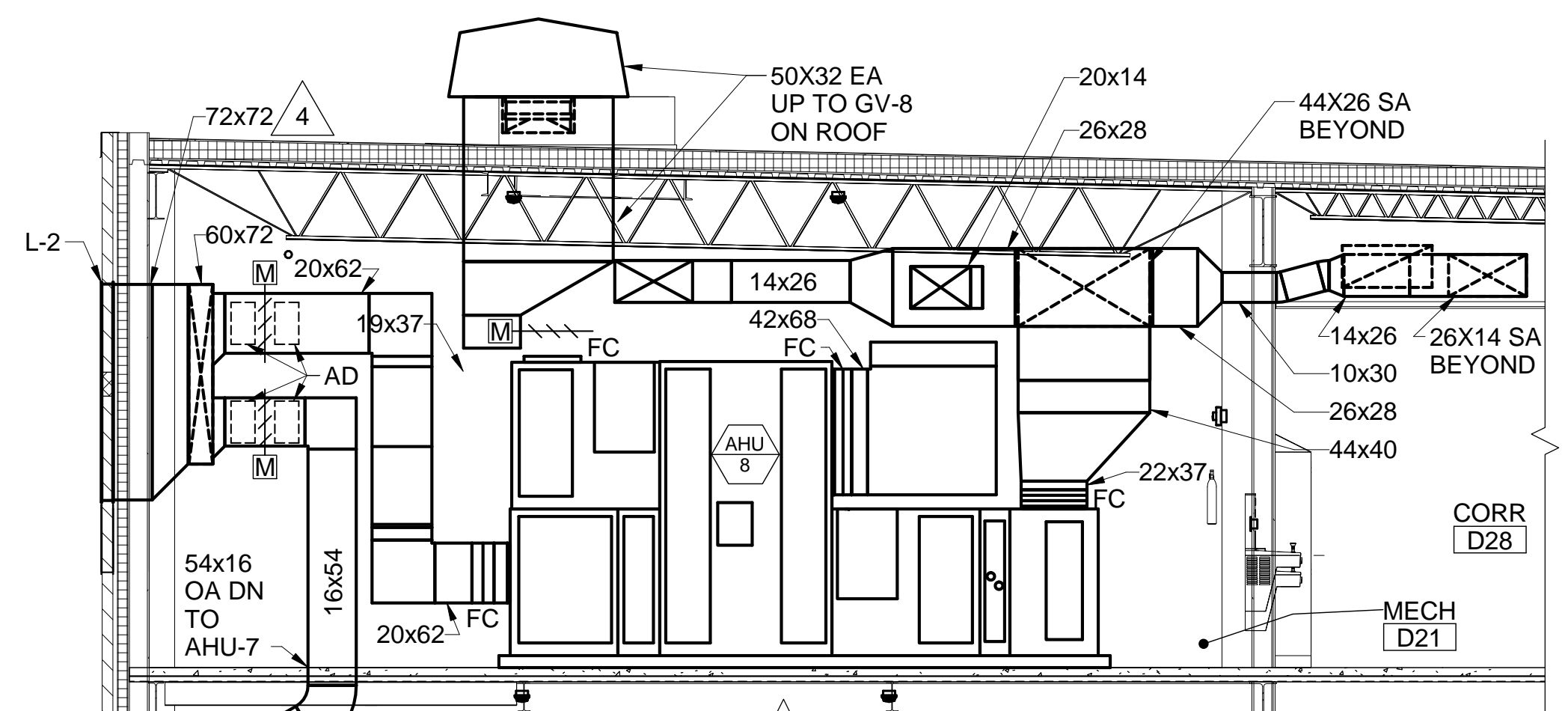
1. SUPPLY DUCTWORK SHALL BE INSULATED WITH 1"-THICK BLANKET INSULATION UNLESS OTHERWISE NOTED.
2. RETURN DUCTWORK SHALL NOT BE INSULATED UNLESS OTHERWISE NOTED.



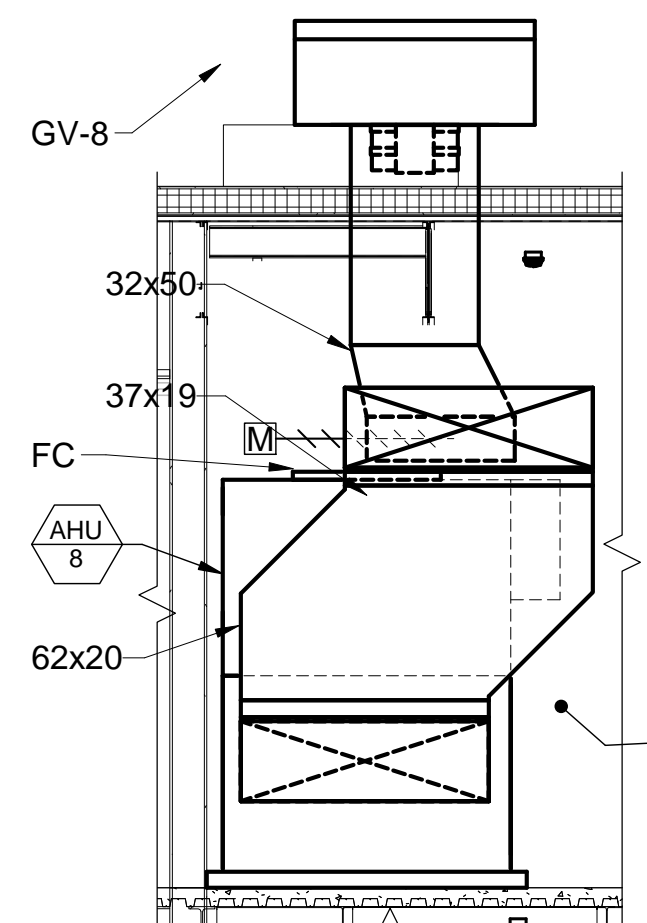
1 SECOND FLOOR DUCTWORK PART PLAN
MH104 SCALE: 1/8" = 1'-0"



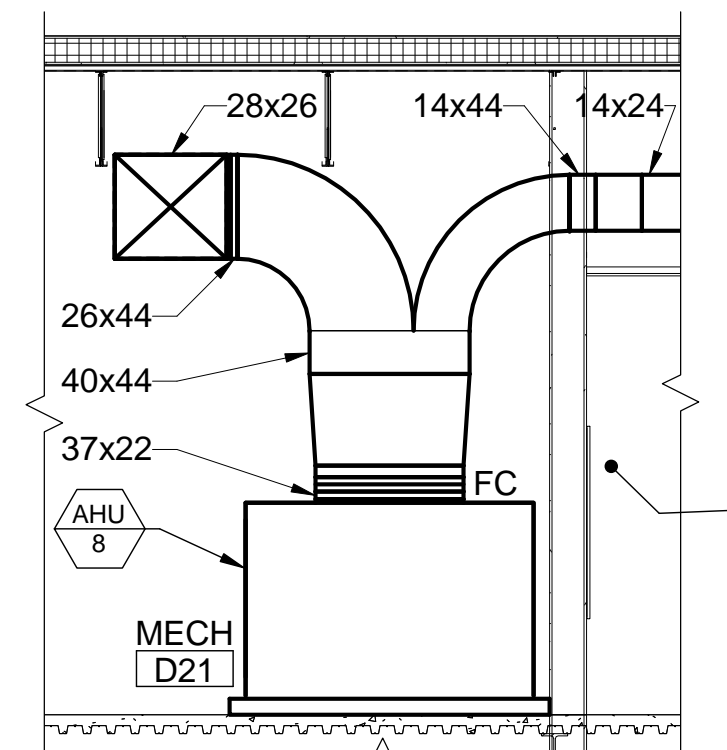
2 ENLARGED MECHANICAL ROOM D21 PART PLAN
MH104 SCALE: 1/4" = 1'-0"



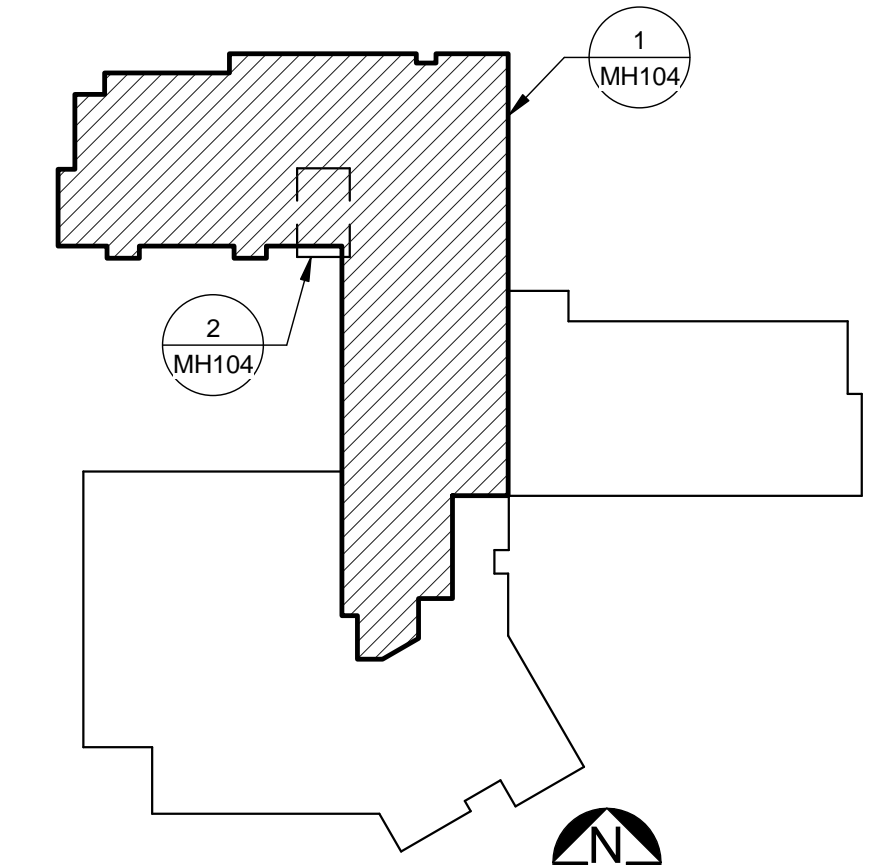
3 AHU 8 SECTION 1
MH104 SCALE: 1/4" = 1'-0"



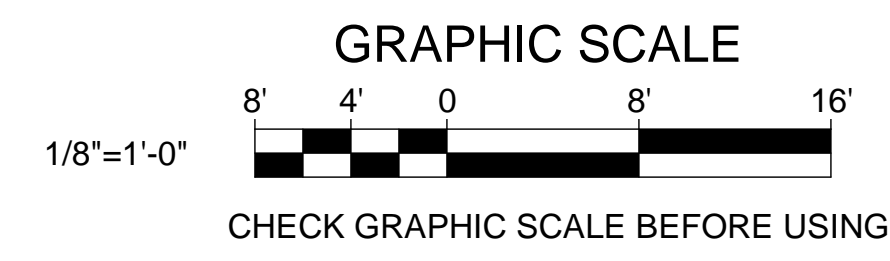
4 AHU 8 SECTION 2
MH104 SCALE: 1/4" = 1'-0"



5 AHU 8 SECTION 3
MH104 SCALE: 1/4" = 1'-0"



KEYPLAN
NOT TO SCALE
PLAN NORTH



<p>STATE OF MAINE PUBLIC SCHOOL PROJECT</p> <p>TITLE: PORTLAND PUBLIC SCHOOLS NEW FRED P. HALL ELEMENTARY SCHOOL LOCATION: 23 ORONO ROAD, PORTLAND, ME</p> <p>DATE: 03/17/17</p>		<p>DRAWN BY: Author CHECK BY: MSA</p>	<p>STATE OF MAINE MATTHEW S. ALBERT No. 9235 LICENSED PROFESSIONAL ENGINEER</p>	<p>OAK POINT ASSOCIATES</p> <p>DRAWING NO. MH104 SHEET NO. 240 OF 312</p>
NO.	DATE	DESCRIPTION	BY	NO.
		REVISIONS		