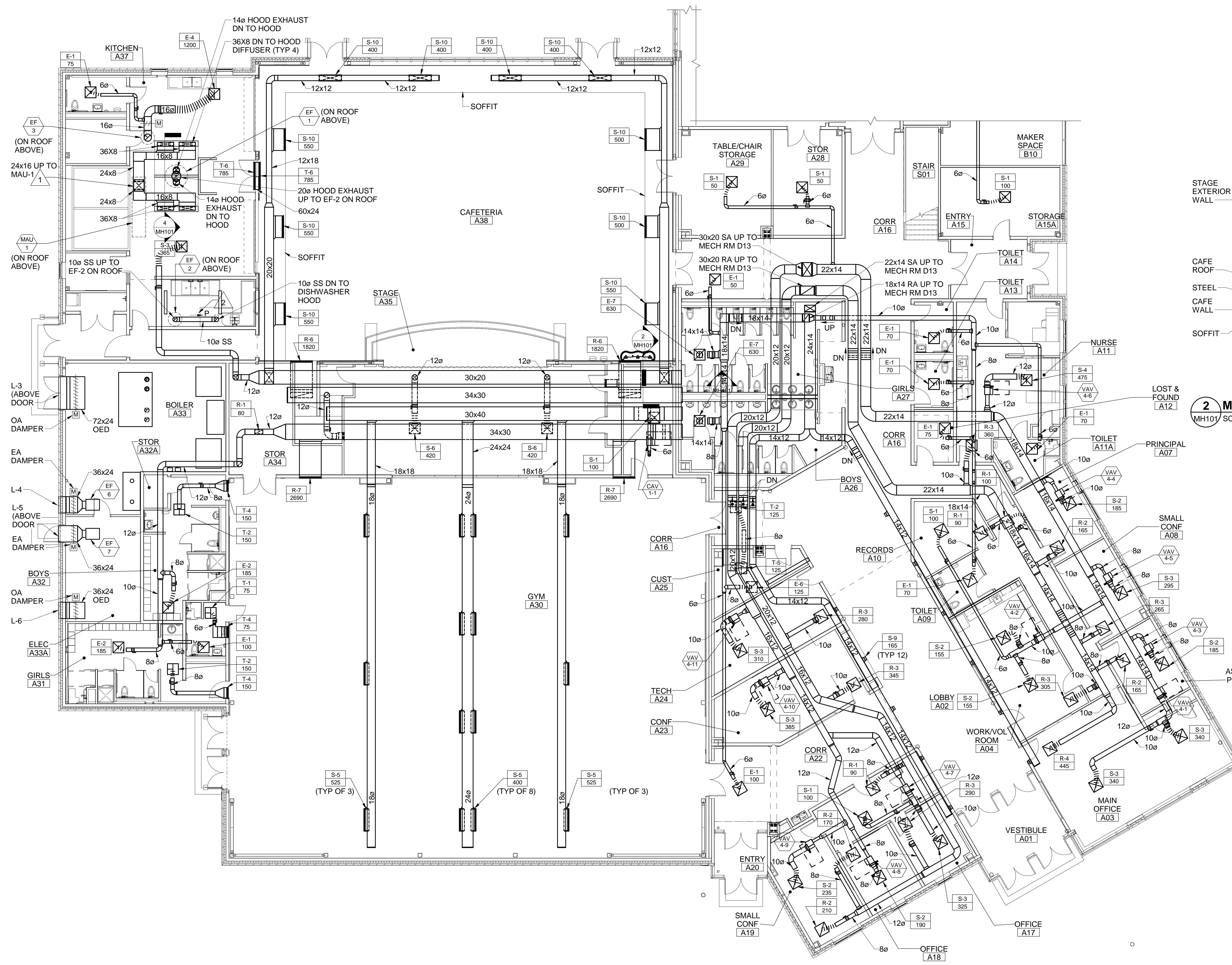
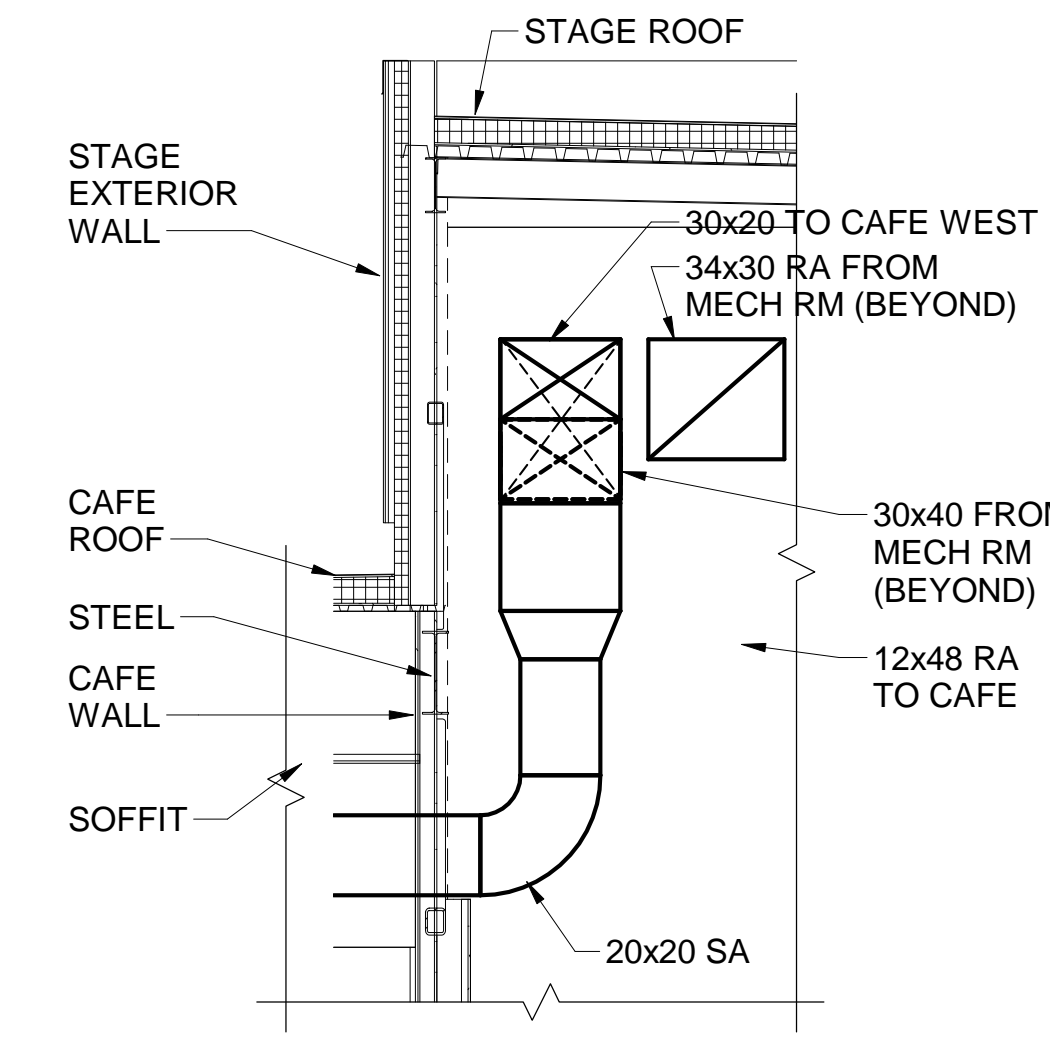


DRAWING KEYNOTES

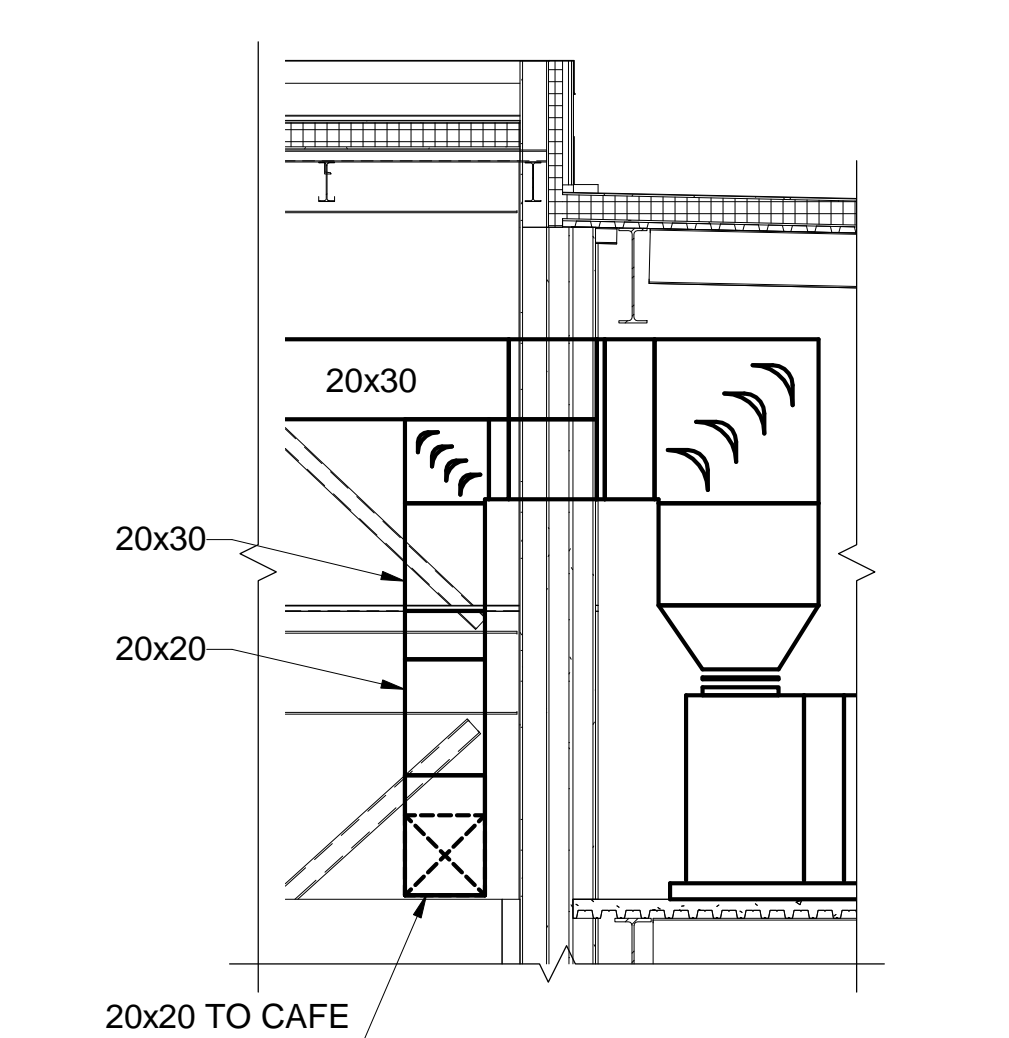
- 1 PROVIDE TRANSITION IN THE VERTICAL TO MAU-1 ON ROOF ABOVE.
- 2 PITCH DUCT DOWNWARD TOWARD HOOD AT 1%.
- 3 DUCTWORK SHALL BE WELDED CARBON OR STAINLESS STEEL. PROVIDE FIRE WRAP INSULATION.
- 4 PROVIDE TURNING VANES IN "TEE FITTING".



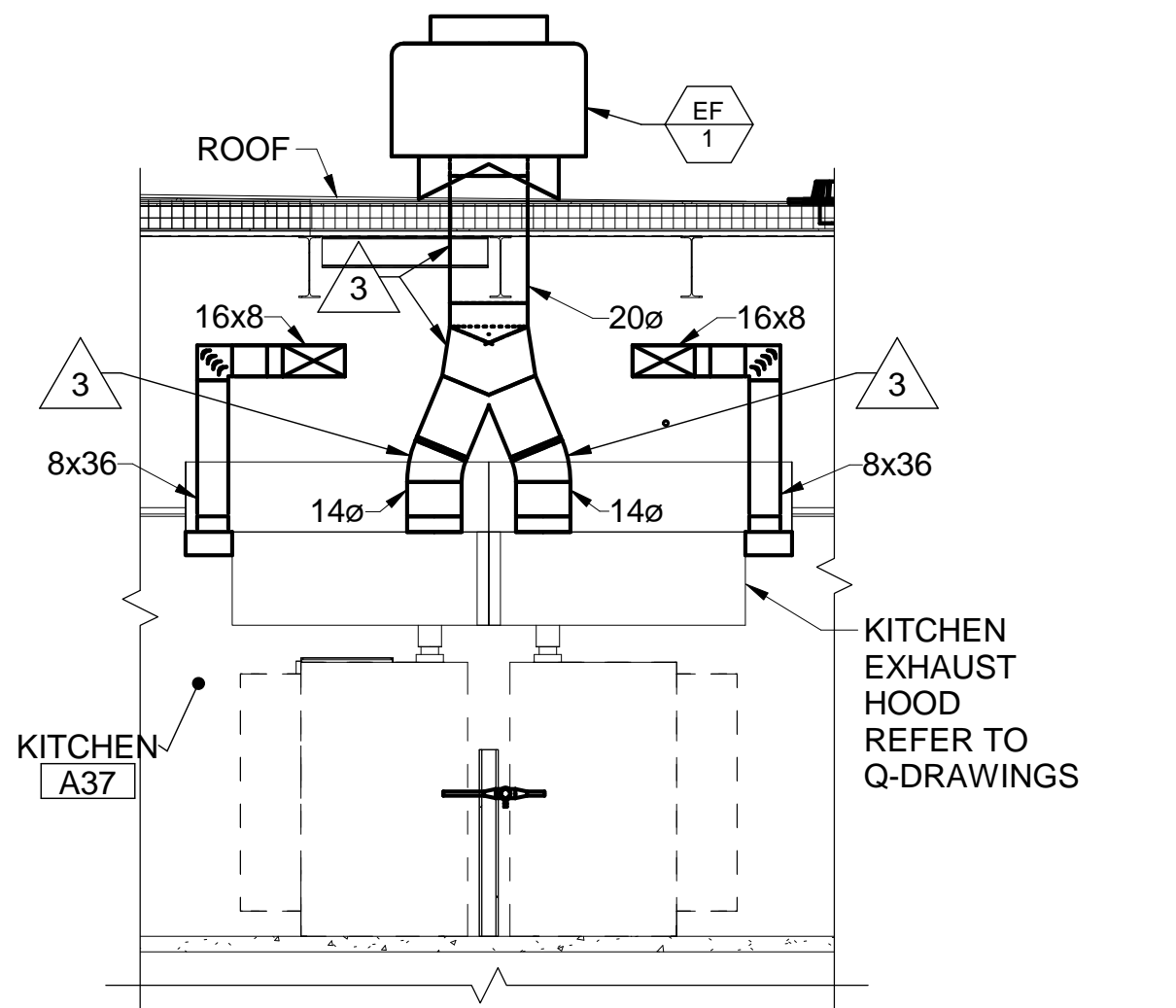
1 FIRST FLOOR MECHANICAL DUCTWORK PART PLAN A
MH101 SCALE: 1/8" = 1'-0"



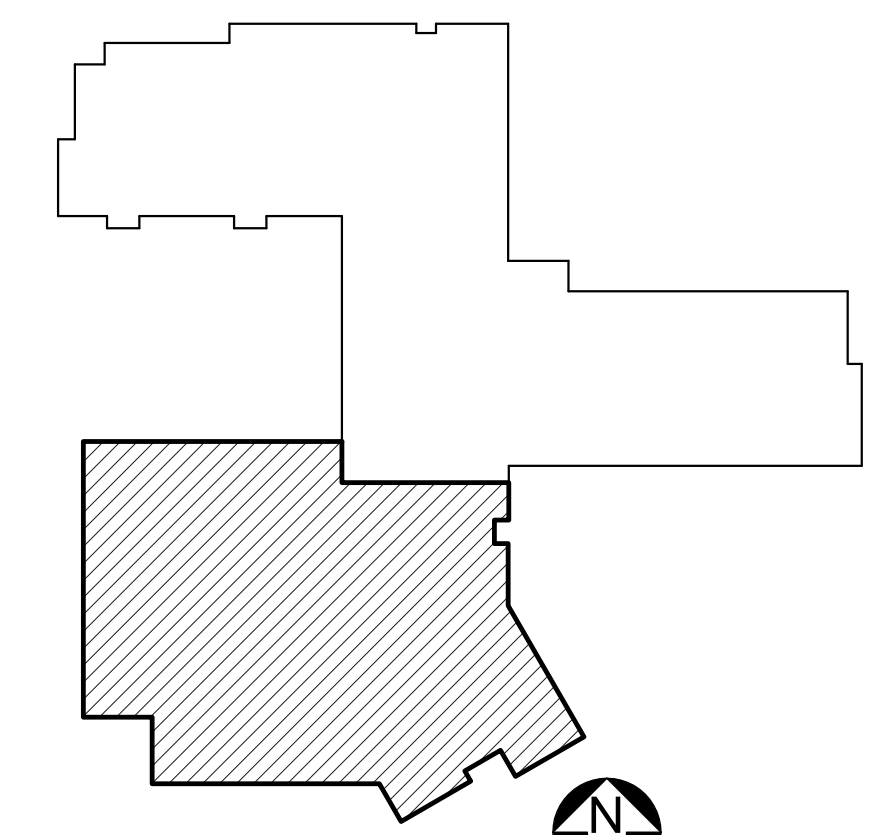
2 MECHANICAL DUCT SECTION 1
MH101 SCALE: 1/4" = 1'-0"



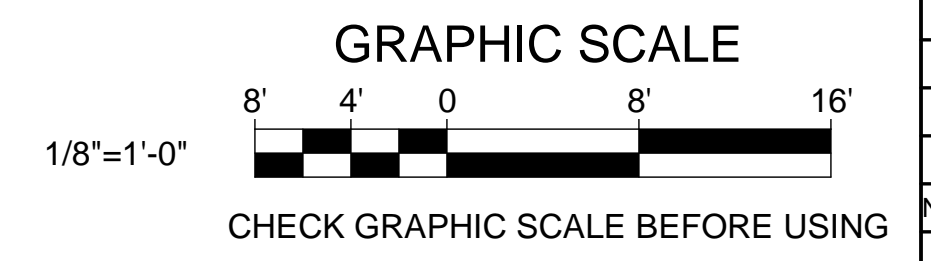
3 MECHANICAL DUCT SECTION 2
MH101 SCALE: 1/4" = 1'-0"



4 KITCHEN EXHAUST HOOD SECTION
MH101 SCALE: 1/4" = 1'-0"



KEYPLAN
NOT TO SCALE
PLAN NORTH



STATE OF MAINE PUBLIC SCHOOL PROJECT PORTLAND PUBLIC SCHOOLS NEW FRED P. HALL ELEMENTARY SCHOOL LOCATION: 23 ORONO ROAD, PORTLAND, ME			DRAWN BY: KLG CHECK BY: MSA DATE: 03/17/17	OAK POINT ASSOCIATES 231 Main Street, Biddeford, Maine 04005
TITLE THIS DWG: FIRST FLOOR MECHANICAL DUCTWORK PART PLAN A				
NO.	DATE	DESCRIPTION	BY	REVISIONS