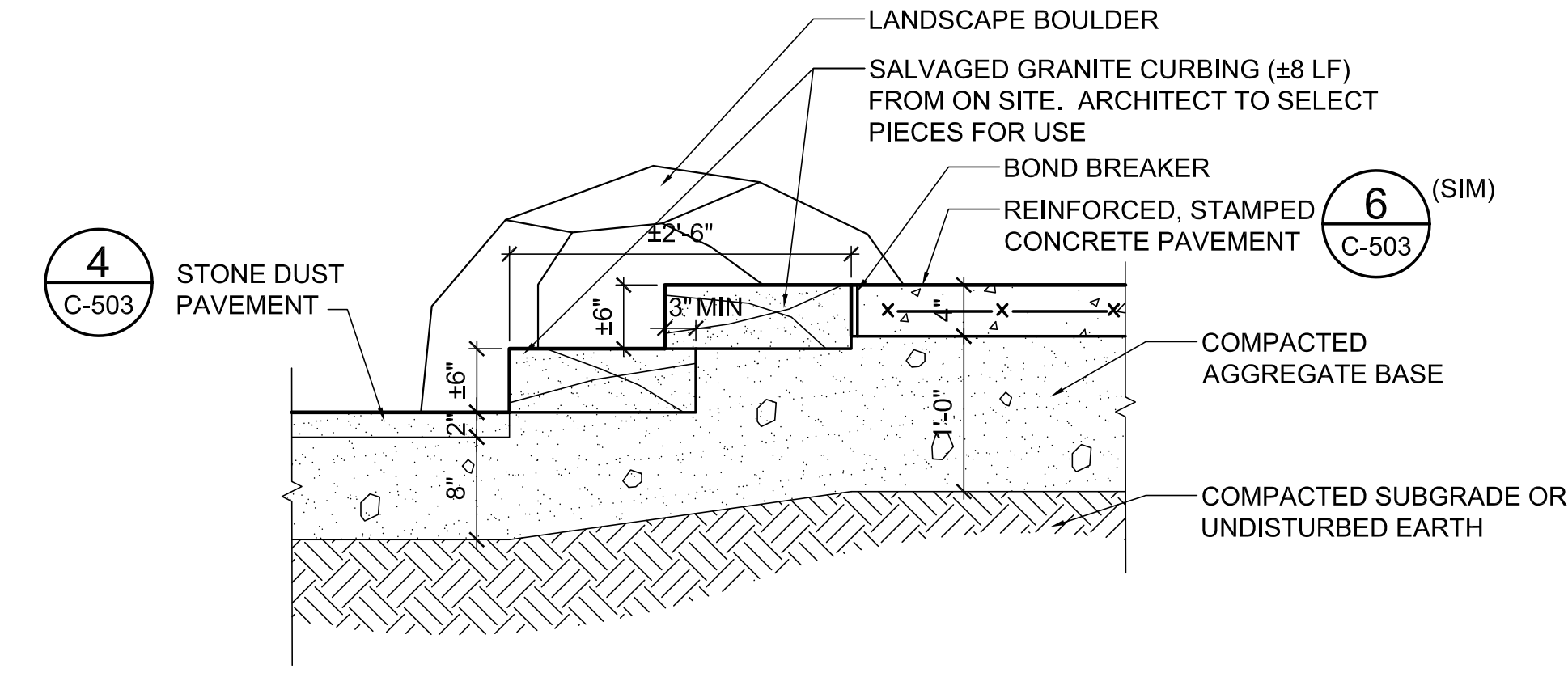
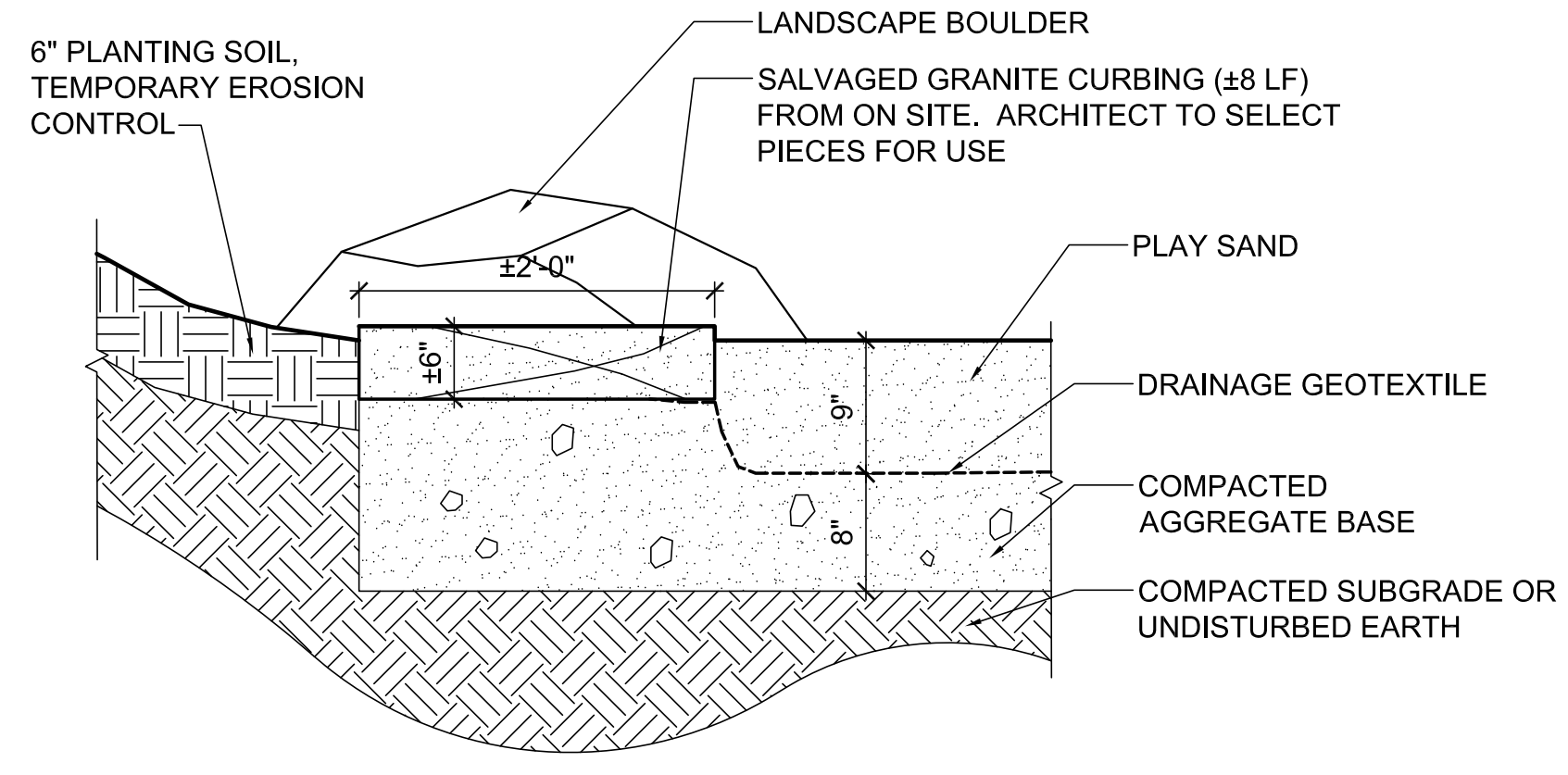


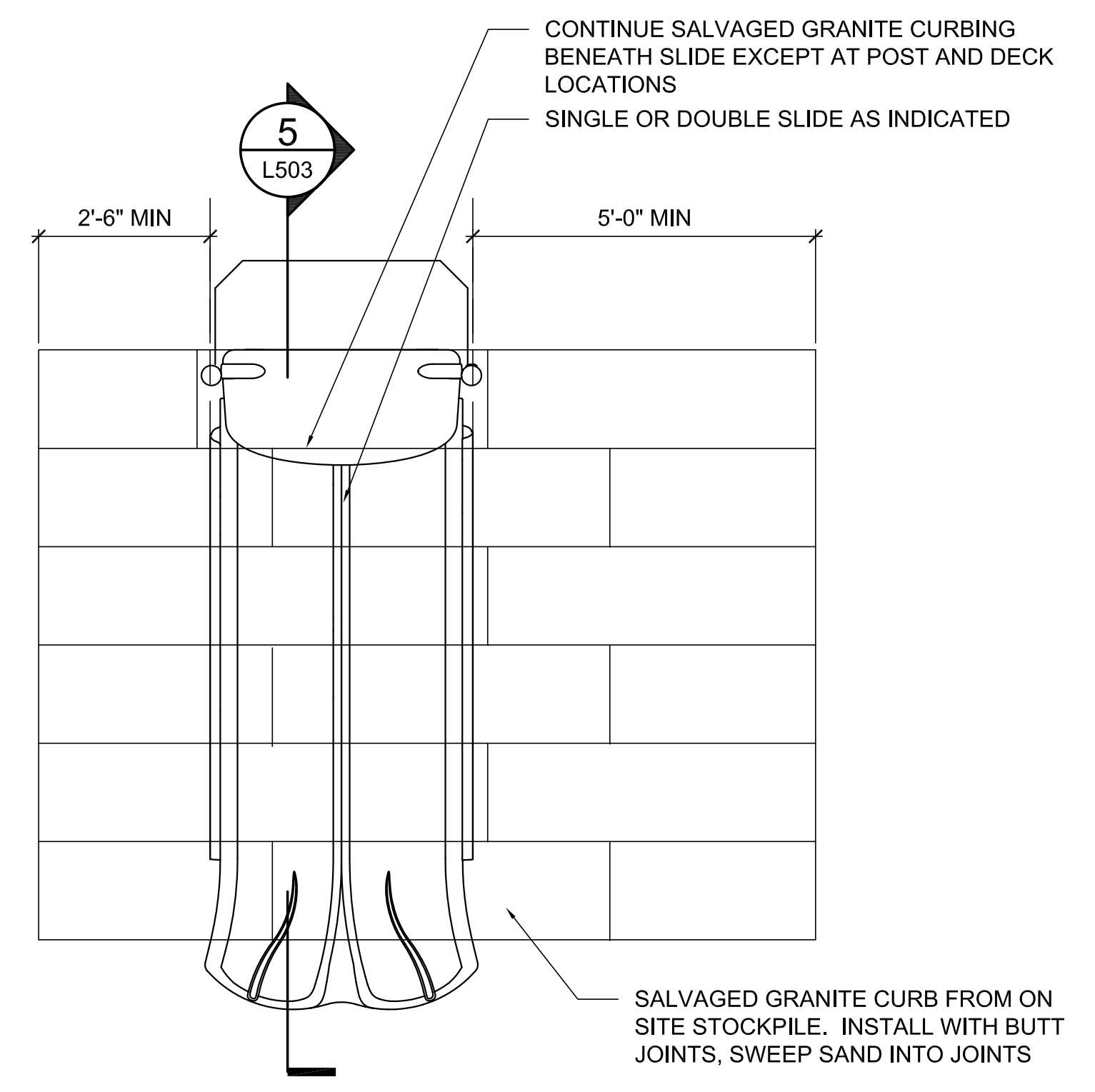
1 PLAYGROUND ARCH BRIDGE: SECTION
 LS103 L-503 NOT TO SCALE



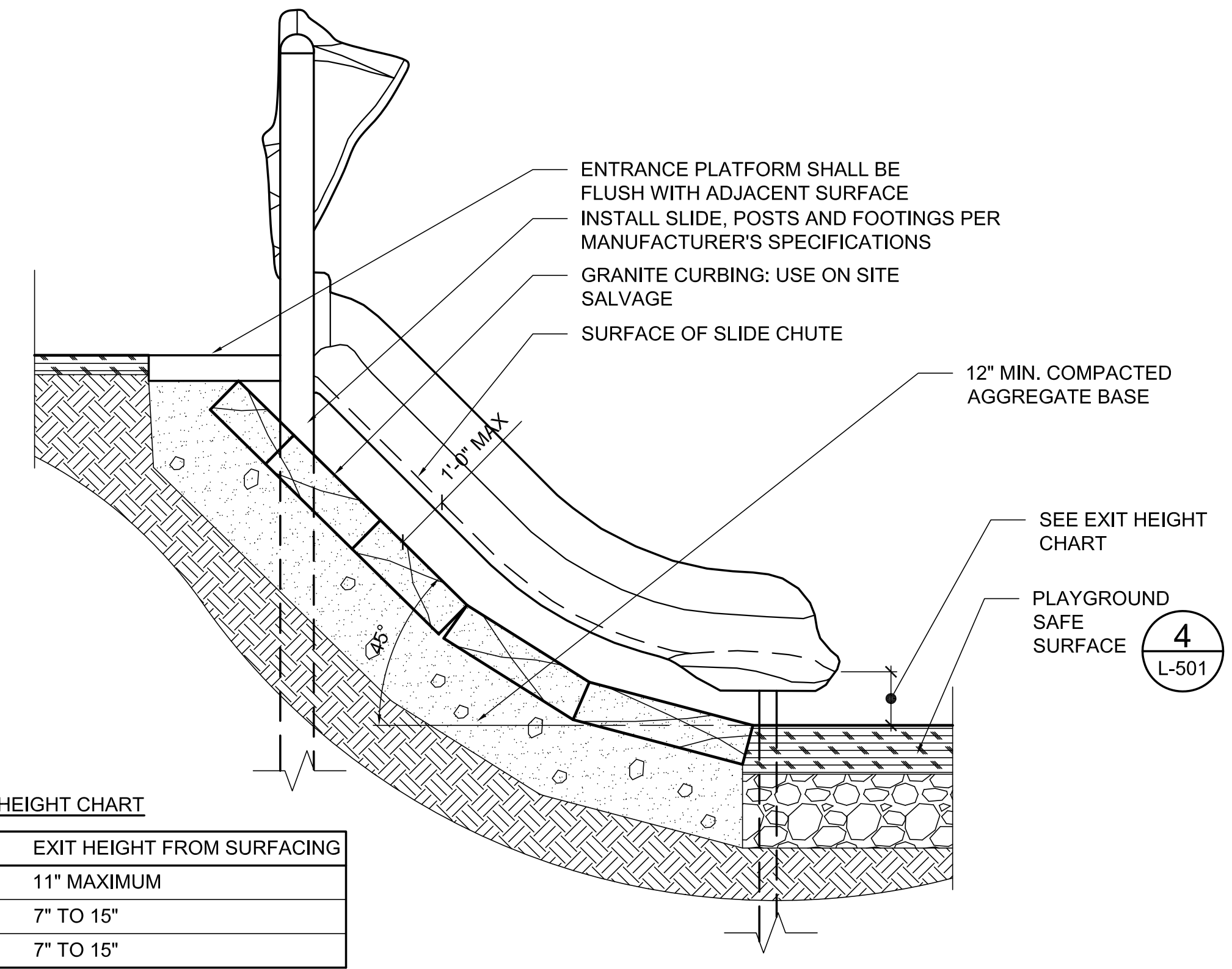
2 GRANITE STEPS AT PLAYGROUND
 LS103 L-503 NOT TO SCALE



3 GRANITE THRESHOLD AT SAND BOX
 LS103 L-503 NOT TO SCALE



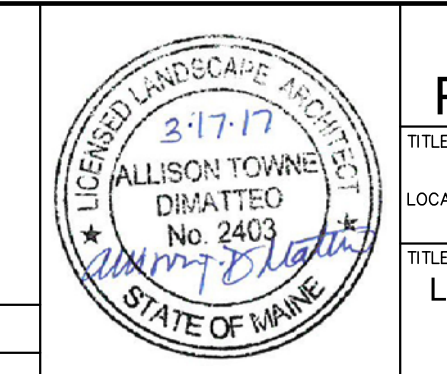
4 GRANITE PAVING AT HILL SLIDE: PLAN
 LS103 L-503 NOT TO SCALE



5 HILL SLIDE: SECTION
 LS103 L-503 NOT TO SCALE

EXIT HEIGHT CHART

SLIDE HEIGHT	EXIT HEIGHT FROM SURFACING
3 FEET	11" MAXIMUM
5 FEET	7" TO 15"
6 FEET	7" TO 15"



STATE OF MAINE PUBLIC SCHOOL PROJECT
 TITLE: PORTLAND PUBLIC SCHOOLS
 LOCATION: NEW FRED P. HALL ELEMENTARY SCHOOL, 23 ORONO ROAD, PORTLAND, ME
 TITLE THIS DRAWING: LANDSCAPE DETAILS - 3

OAK POINT ASSOCIATES
 DRAWING NO. L-503
 SHEET NO. 63 OF 312

DATE: 03/17/17

NO.	DATE	DESCRIPTION	BY	NO.