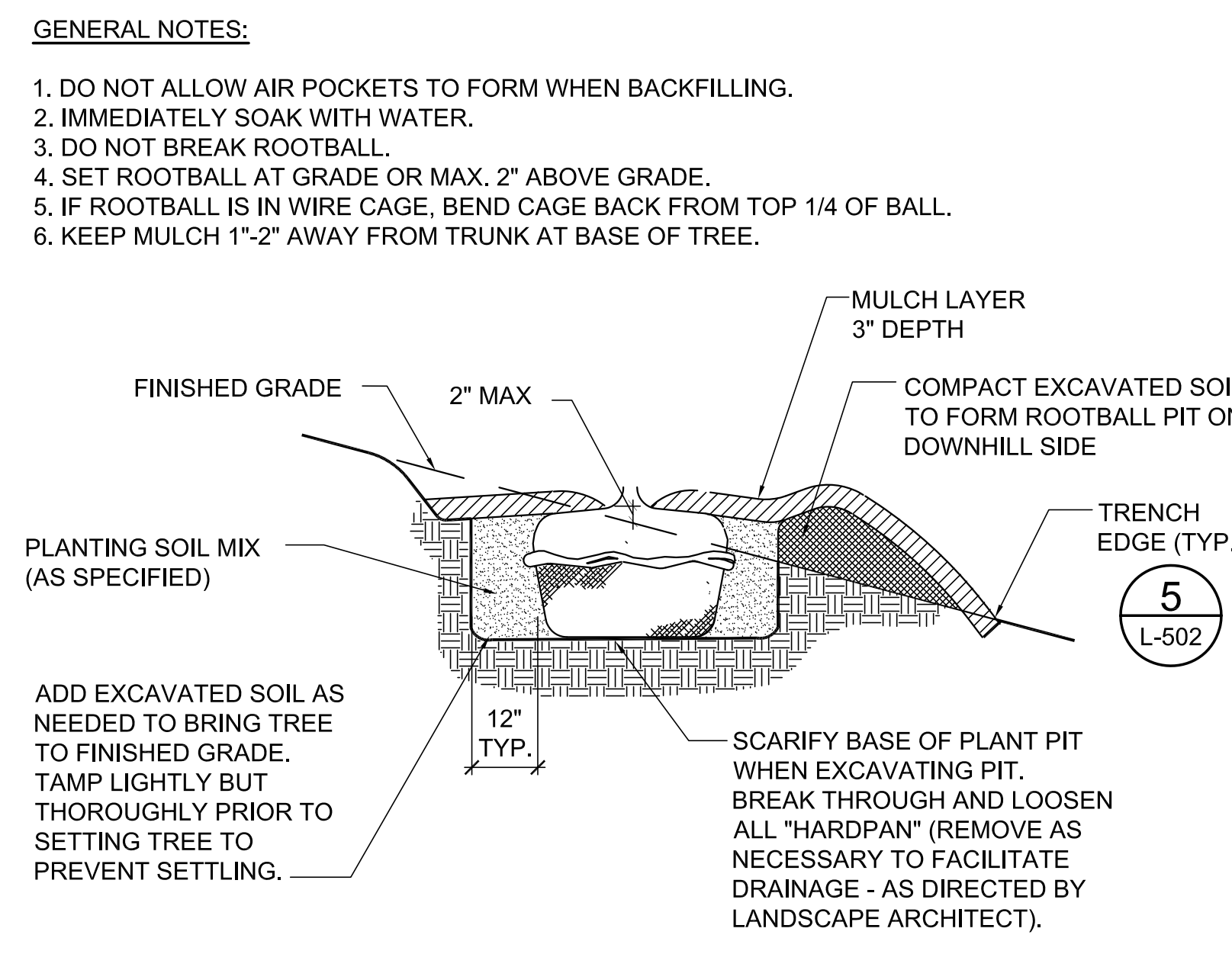


STAKING REQUIREMENTS

HEIGHT	CAL	STAKES	WIRE TYPE
≤ 12'	2 1/2"	2	TIE WIRE
12'-14'	2 1/2"-4"	3	TIE WIRE
> 14'	3"-6"	3	GUY CABLE
> 14'	6"	3	GUY/TURNBUCKLE

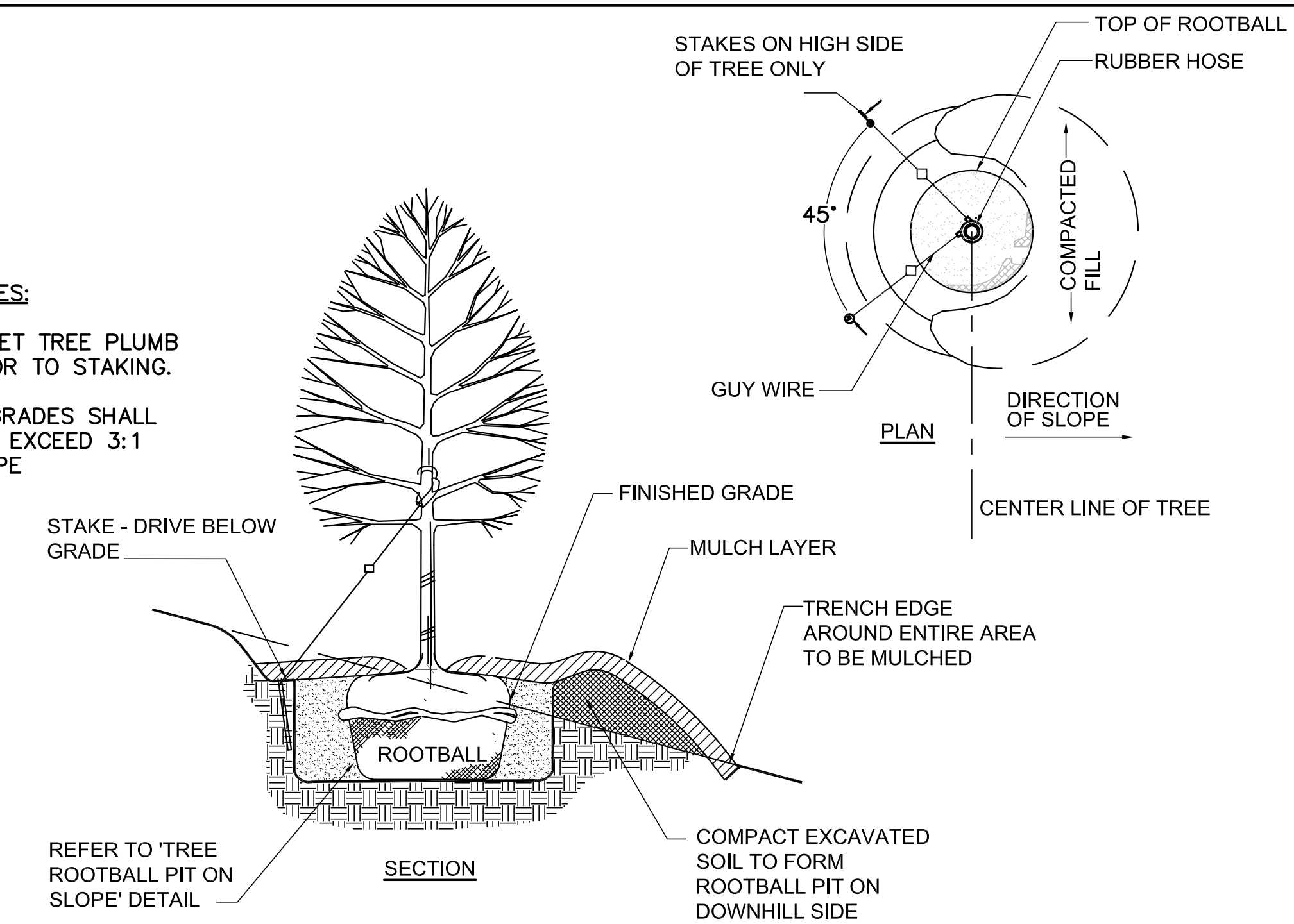
- NOTES:**
1. SET TREE PLUMB PRIOR TO STAKING.
 2. ON MULTI-STEM TREES, ATTACH GUYS TO THE LARGEST TRUNK.
 3. ON EVERGREEN TREES, ATTACH GUYS 1/2 WAY UP HEIGHT OF TREE.
 4. REMOVE STAKING AND GUYING AFTER ONE YEAR.

1 TREE STAKING AND GUYING (NOT IN CONTRACT)
LS101, L-502 NOT TO SCALE



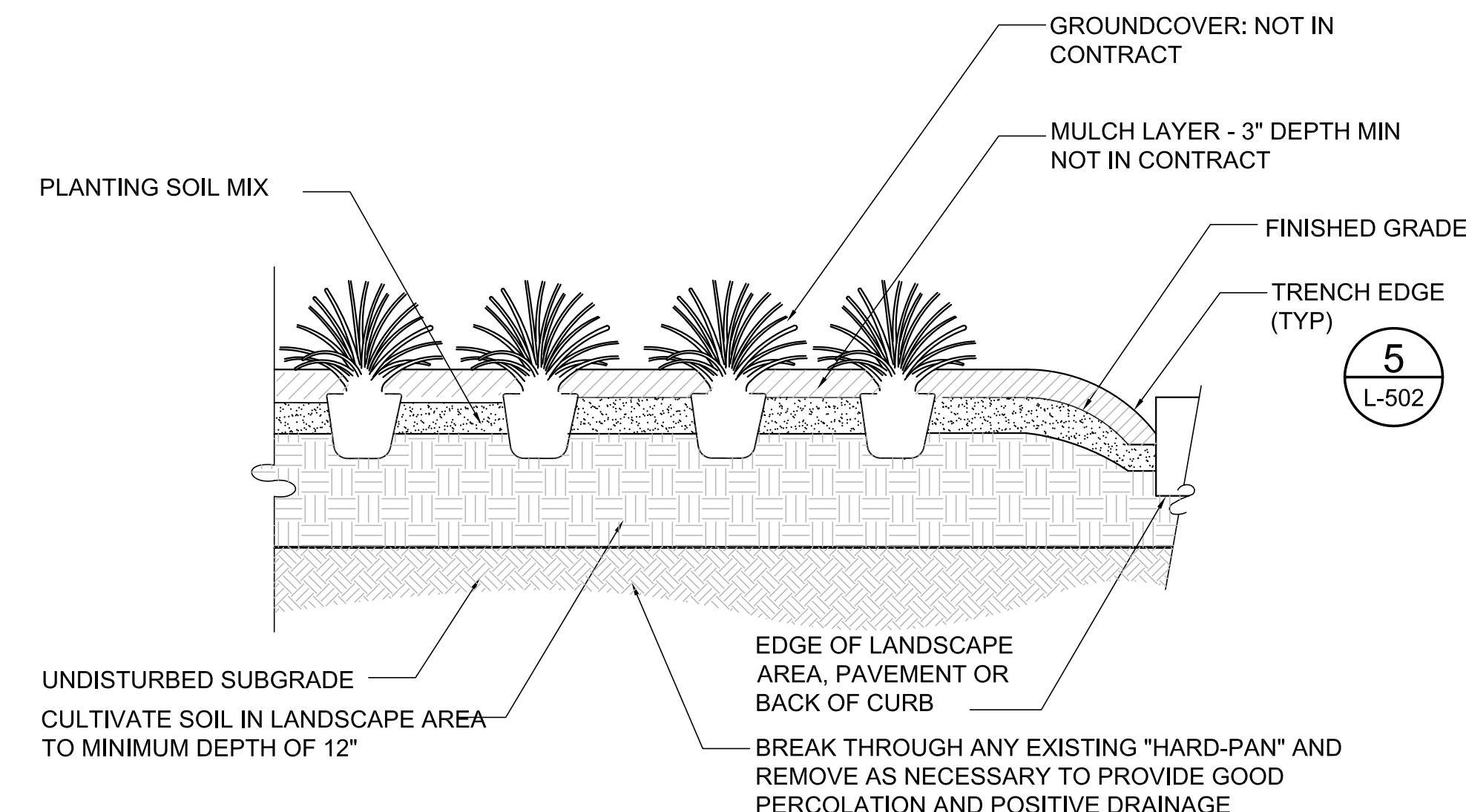
- PLANTING PROCEDURE:**
1. EXCAVATE ROOTBALL PIT.
 2. ADD EXCAVATED SOIL AND TAMP.
 3. SET TREE SUCH THAT TOP OF ROOTBALL IS FLUSH WITH OR NO HIGHER THAN 2" ABOVE FINISHED GRADE.
 4. BACKFILL W/ SOIL MIX AND WATER IN.
 5. COMPLETE BACKFILLING. CONSTRUCT TRENCH EDGE & ADD SPECIFIED MULCH.
 6. STAKE AND/OR GUY SECURELY.

2 TREE ROOTBALL ON SLOPE (NOT IN CONTRACT)
LS104, L-502 NOT TO SCALE



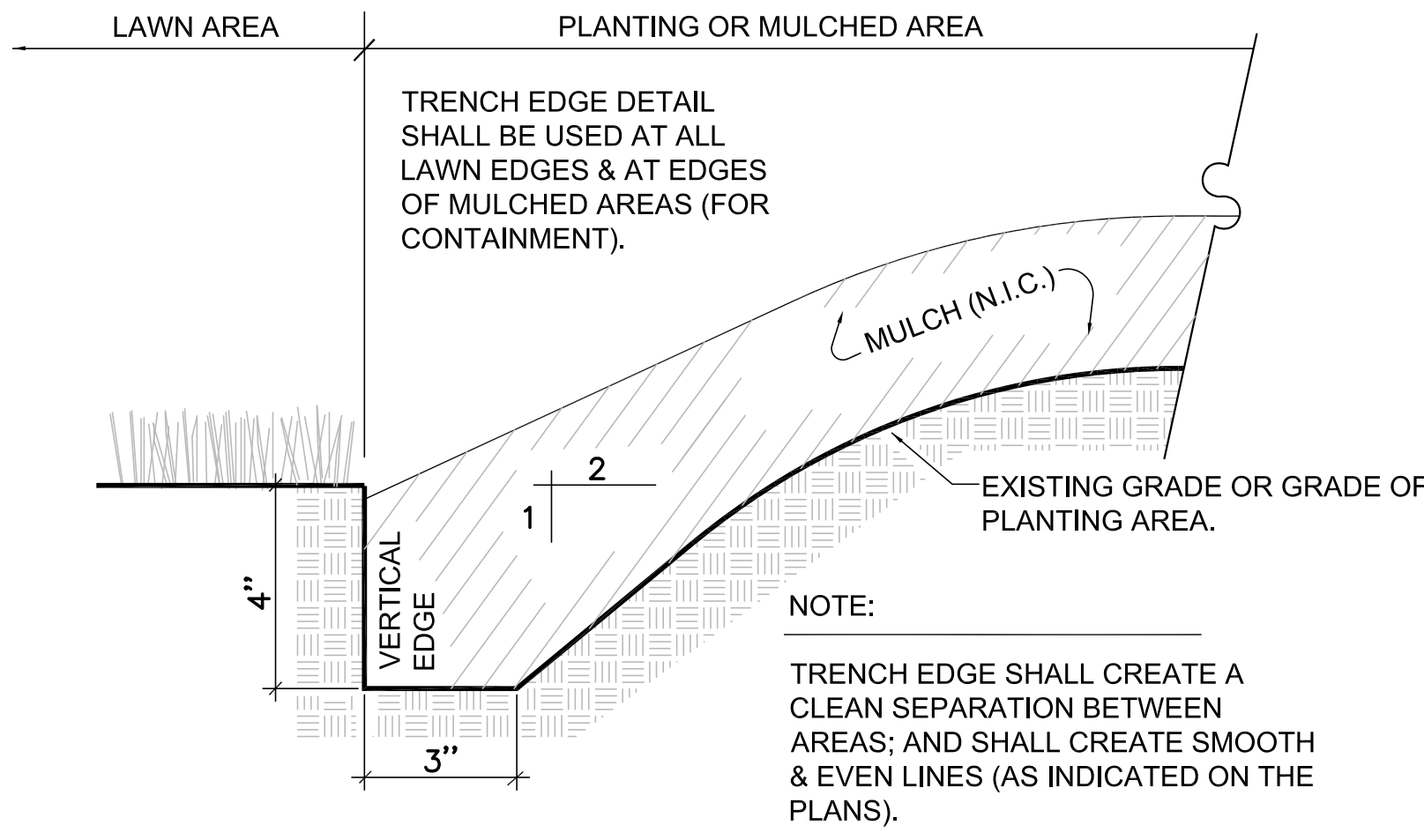
- NOTES:**
1. SET TREE PLUMB PRIOR TO STAKING.
 2. GRADES SHALL NOT EXCEED 3:1 SLOPE

3 TREE ON SLOPE: STAKING AND GUYING (NOT IN CONTRACT)
LS104, L-502 NOT TO SCALE

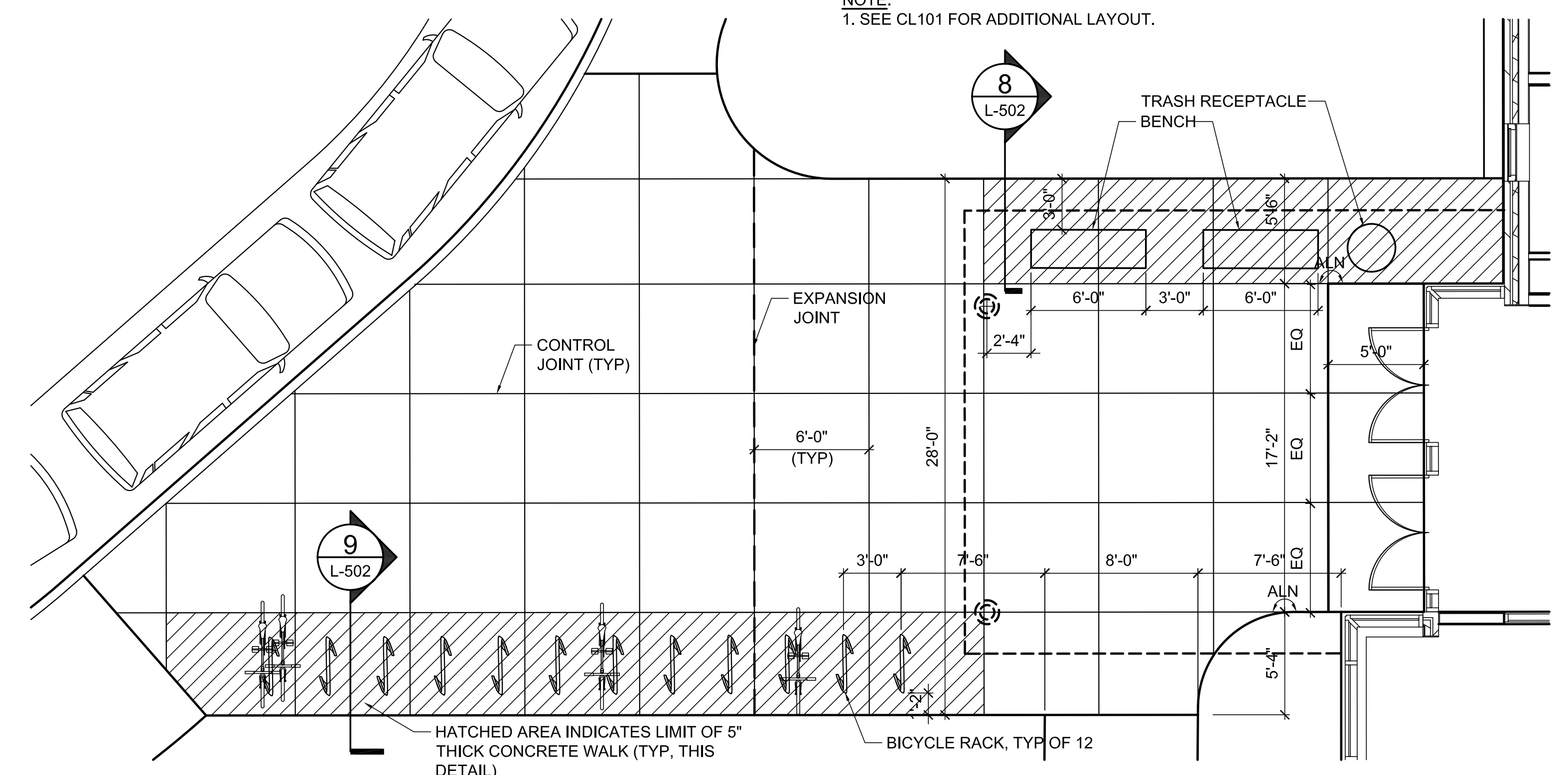


- PLANTING BED PREPARATION PROCEDURE**
1. LAY OUT BED AND OUTLINE WITH TRENCH EDGE. PLACE SOIL FROM EDGE WITHIN BED.
 2. ROTOTILL BED TO 12" DEPTH. SPREAD 3" MIN. LAYER OF PLANTING SOIL MIX OVER BED. ROTOTILL SOIL MIX INTO TOP OF BED. INSTALL TEMPORARY EROSION CONTROL MEASURES.

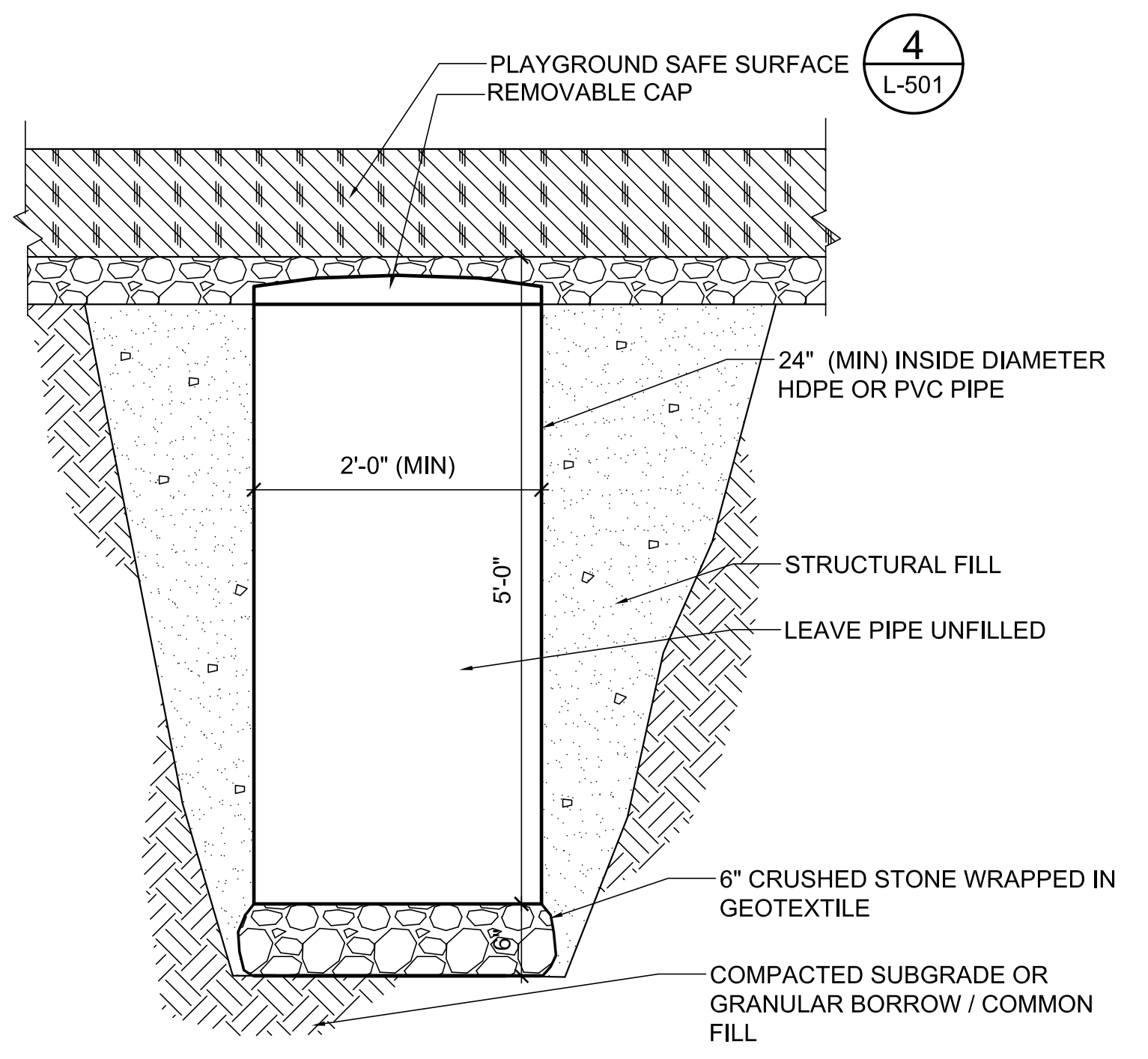
4 PLANTING BED PREPARATION
LS101, LS104, LS502, L-502 NOT TO SCALE



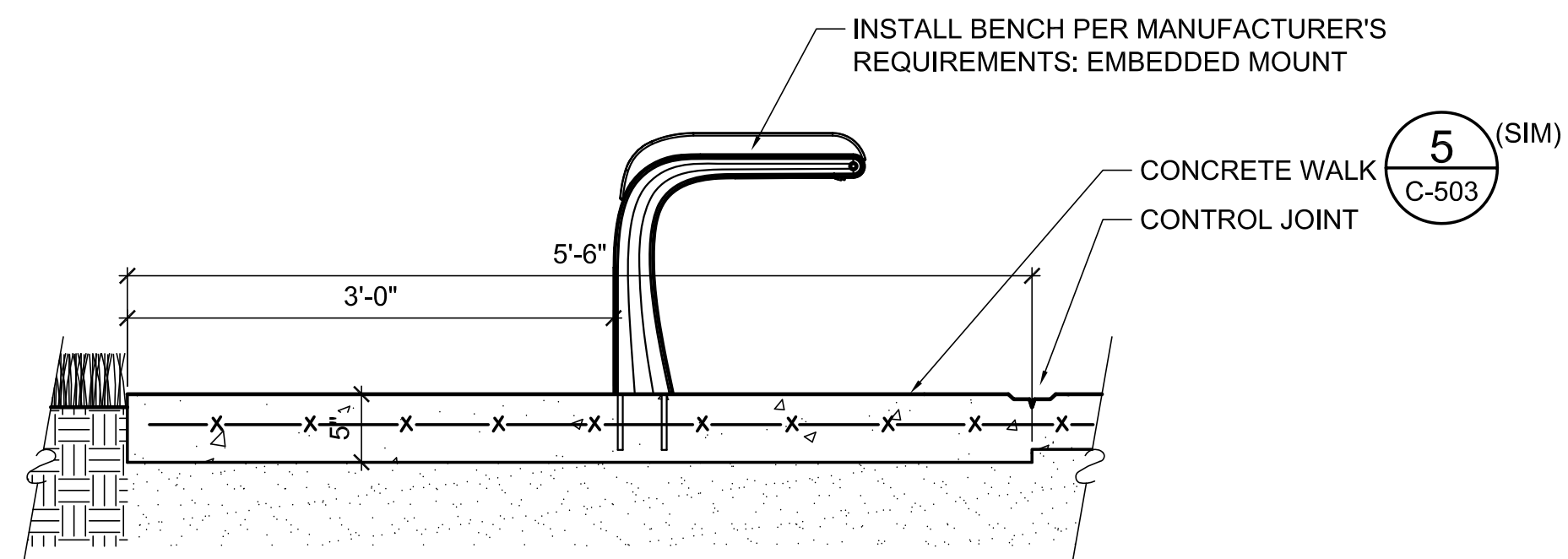
5 TRENCH EDGE: SECTION
LS104, L-502 NOT TO SCALE



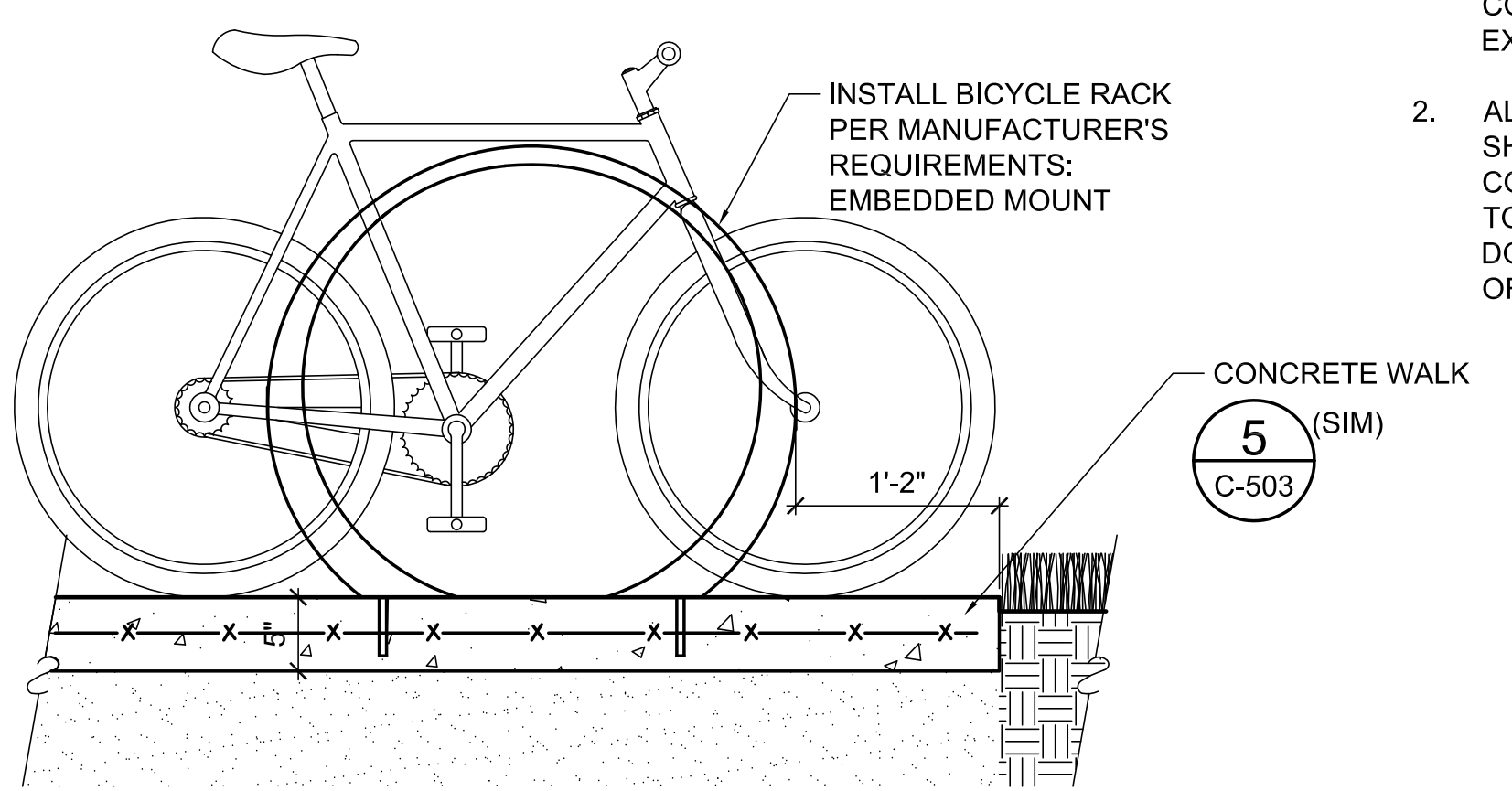
6 DETAIL PLAN: MAIN BUILDING ENTRANCE
LS101, L-502 NOT TO SCALE



7 FOUNDATION SLEEVE
LS103, L-502 NOT TO SCALE



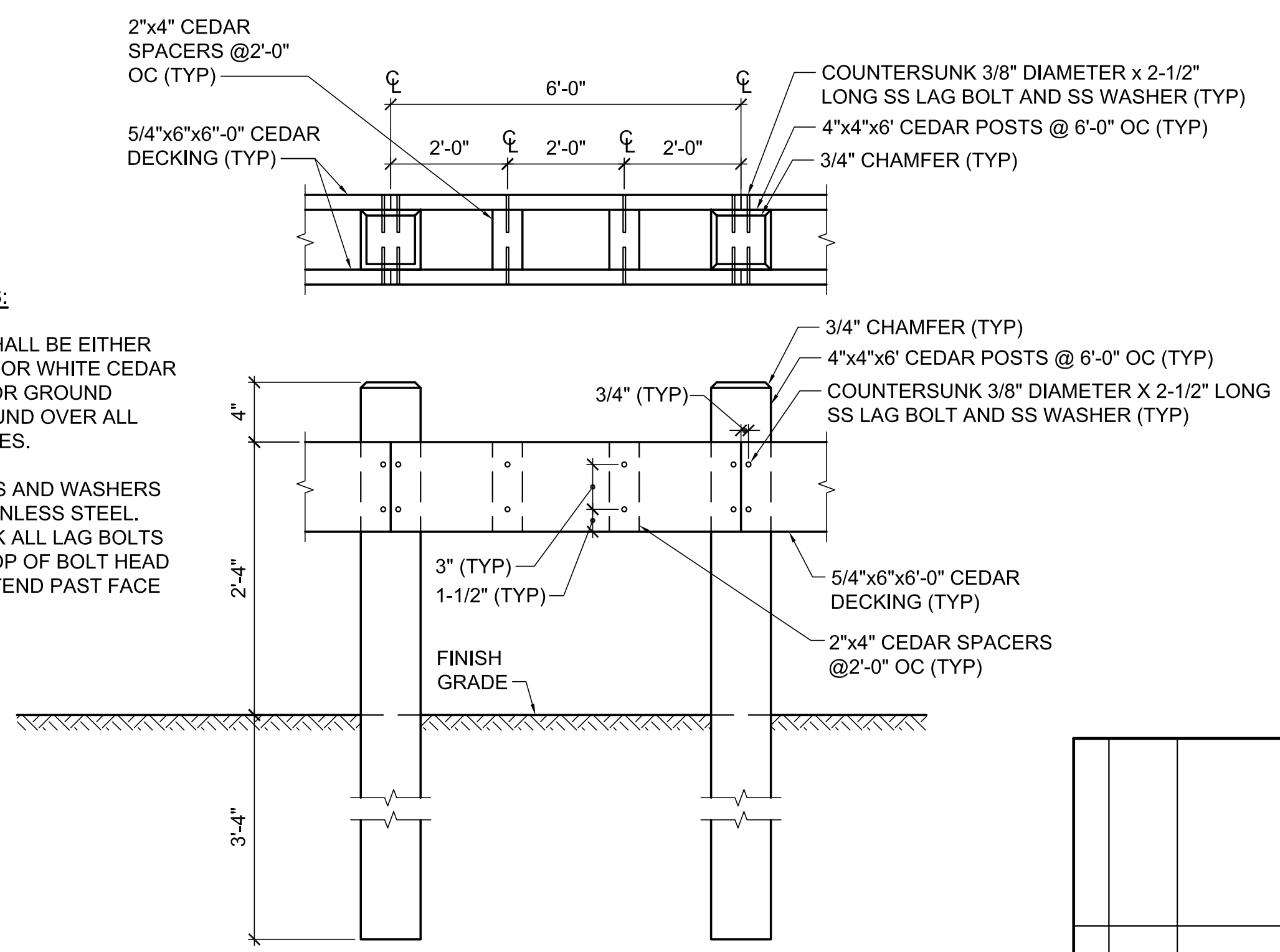
8 BENCH: SECTION
LS101, L-502 NOT TO SCALE



9 BICYCLE RACK
LS101, L-502 NOT TO SCALE

GUARD RAIL NOTES:

1. ALL TIMBER SHALL BE EITHER EASTERN RED OR WHITE CEDAR AND RATED FOR GROUND CONTACT. ROUND OVER ALL EXPOSED EDGES.
2. ALL LAG BOLTS AND WASHERS SHALL BE STAINLESS STEEL. COUNTER-SINK ALL LAG BOLTS TO ENSURE TOP OF BOLT HEAD DOES NOT EXTEND PAST FACE OF BOARDS.



10 PLAYGROUND GUARD RAIL DETAIL
LS101, L-502 NOT TO SCALE

		STATE OF MAINE PUBLIC SCHOOL PROJECT	
		TITLE: PORTLAND PUBLIC SCHOOLS LOCATION: NEW FRED P. HALL ELEMENTARY SCHOOL 23 ORONO ROAD, PORTLAND, ME	
DRAWN BY: ATD CHECKED BY: KSP		TITLE: LANDSCAPE ARCHITECTURE LANDSCAPE DETAILS - 2	
NO. DATE DESCRIPTION BY NO.		OAK POINT ASSOCIATE 231 Main Street, Skidport, Maine 04005 207.283.0193	
REVISIONS		DATE: 03/17/17 DRAWING NO.: L-502 SHEET NO.: 62 OF 312	