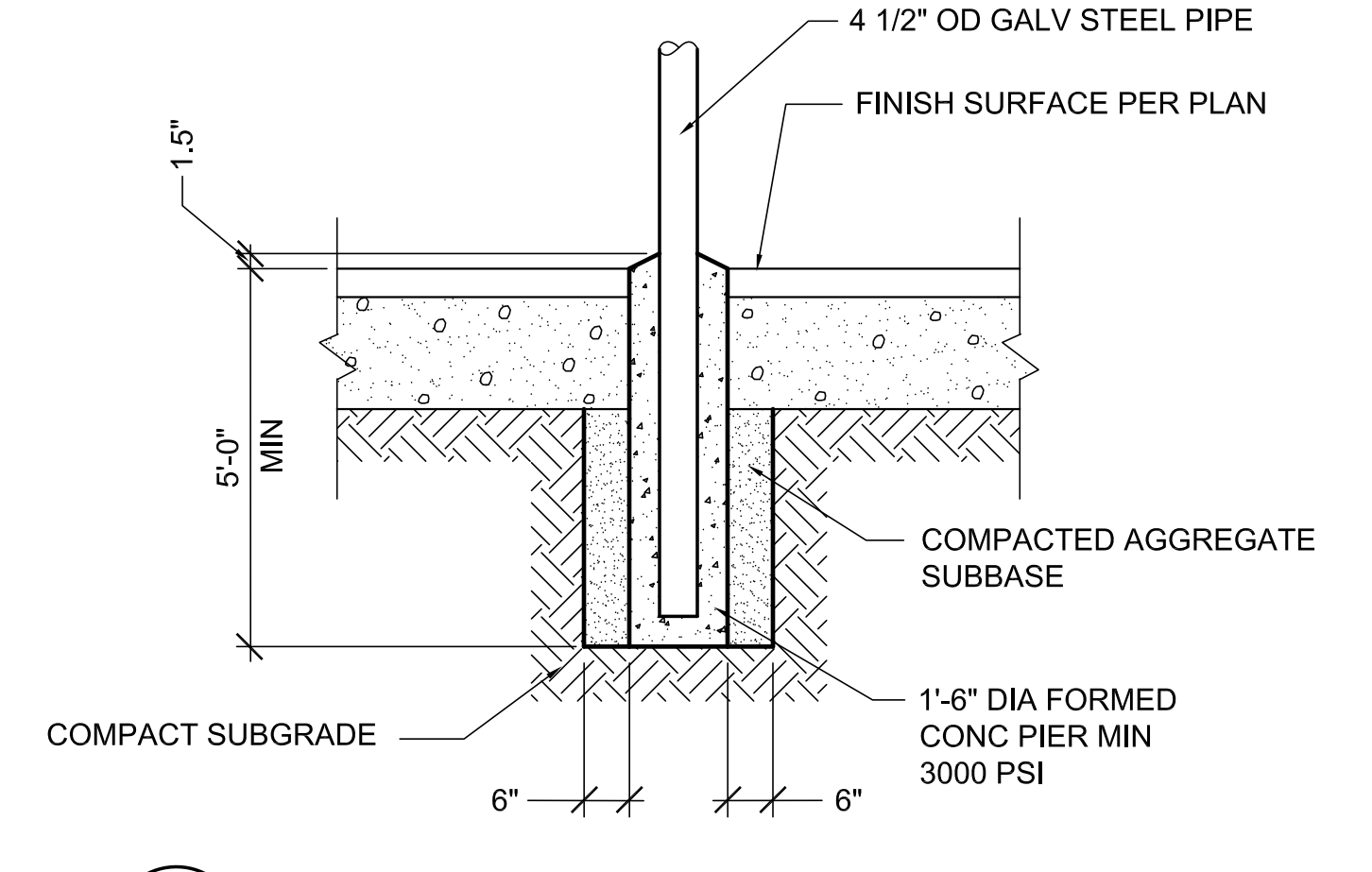
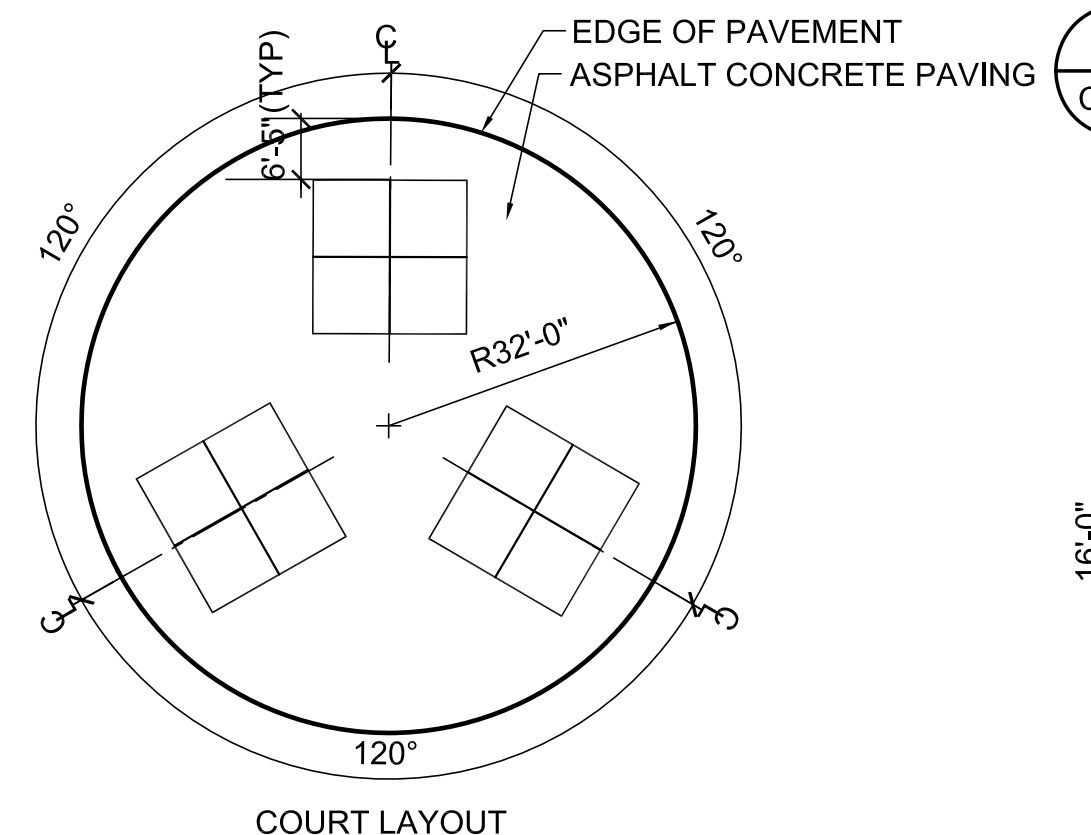


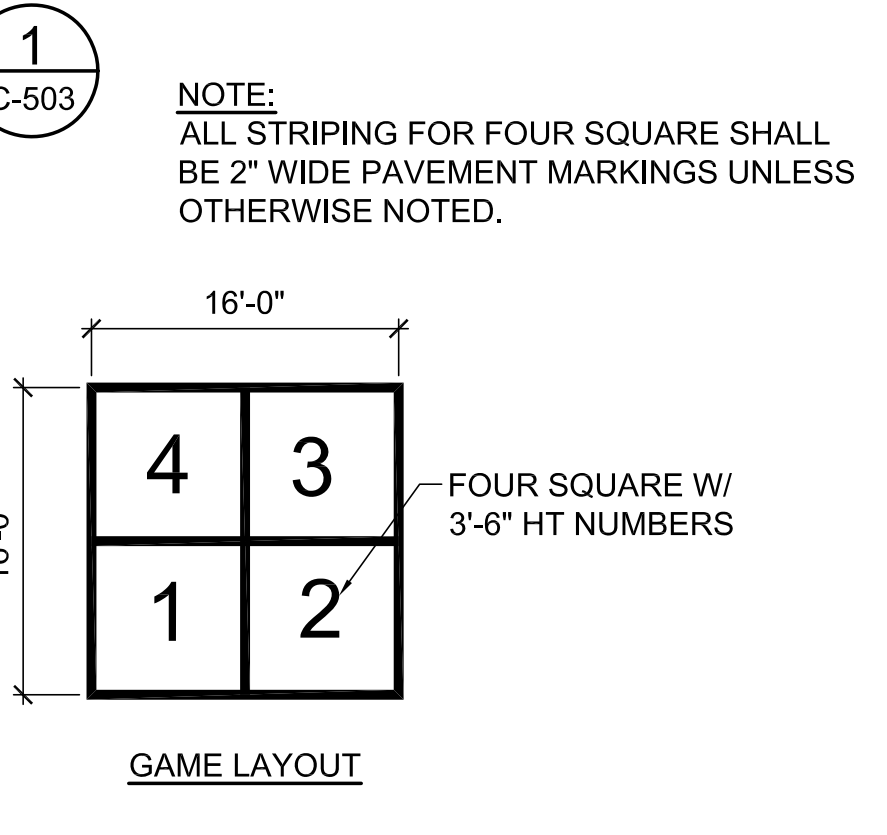
1 BASKETBALL COURT LAYOUT
L-501 NOT TO SCALE



2 BASKETBALL GOAL FOUNDATION DETAIL
L-501 NOT TO SCALE

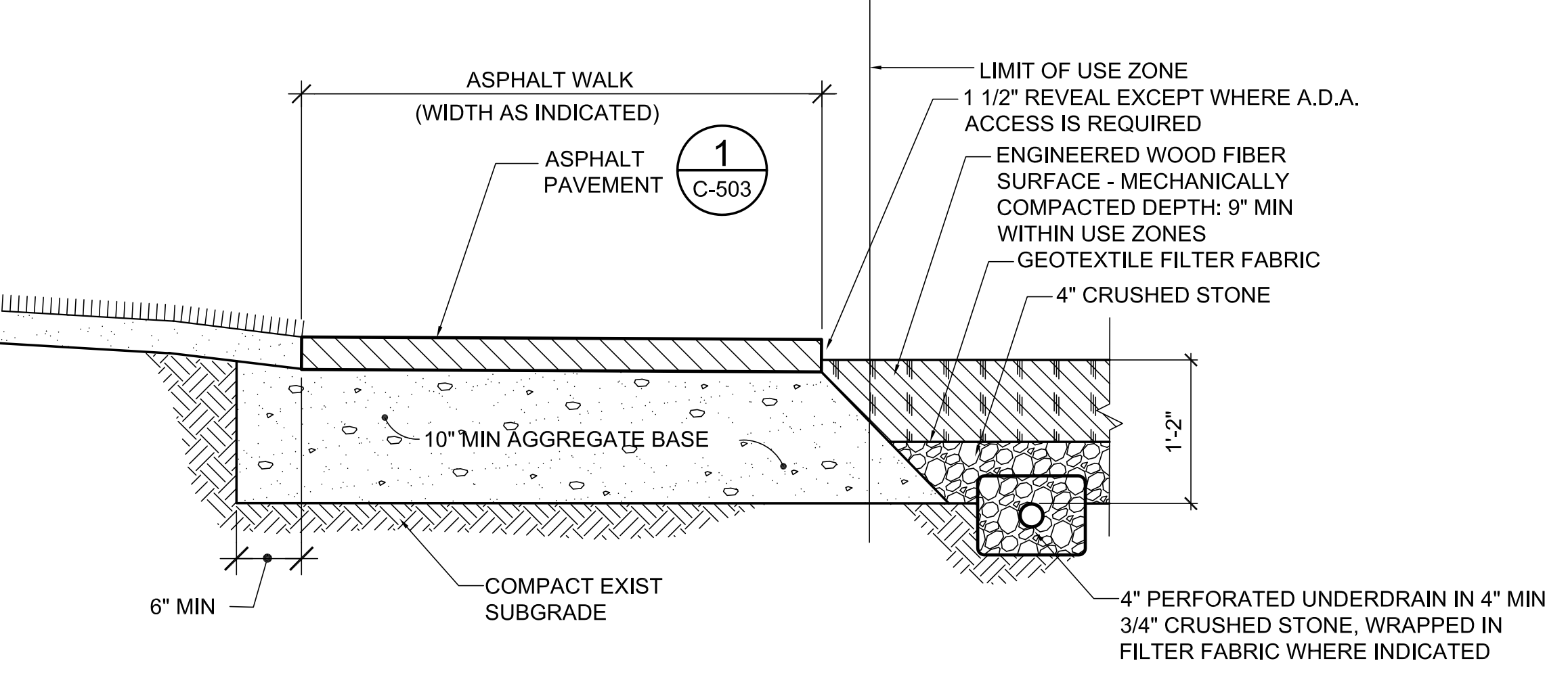


3 FOUR SQUARE LAYOUT
L-501 NOT TO SCALE

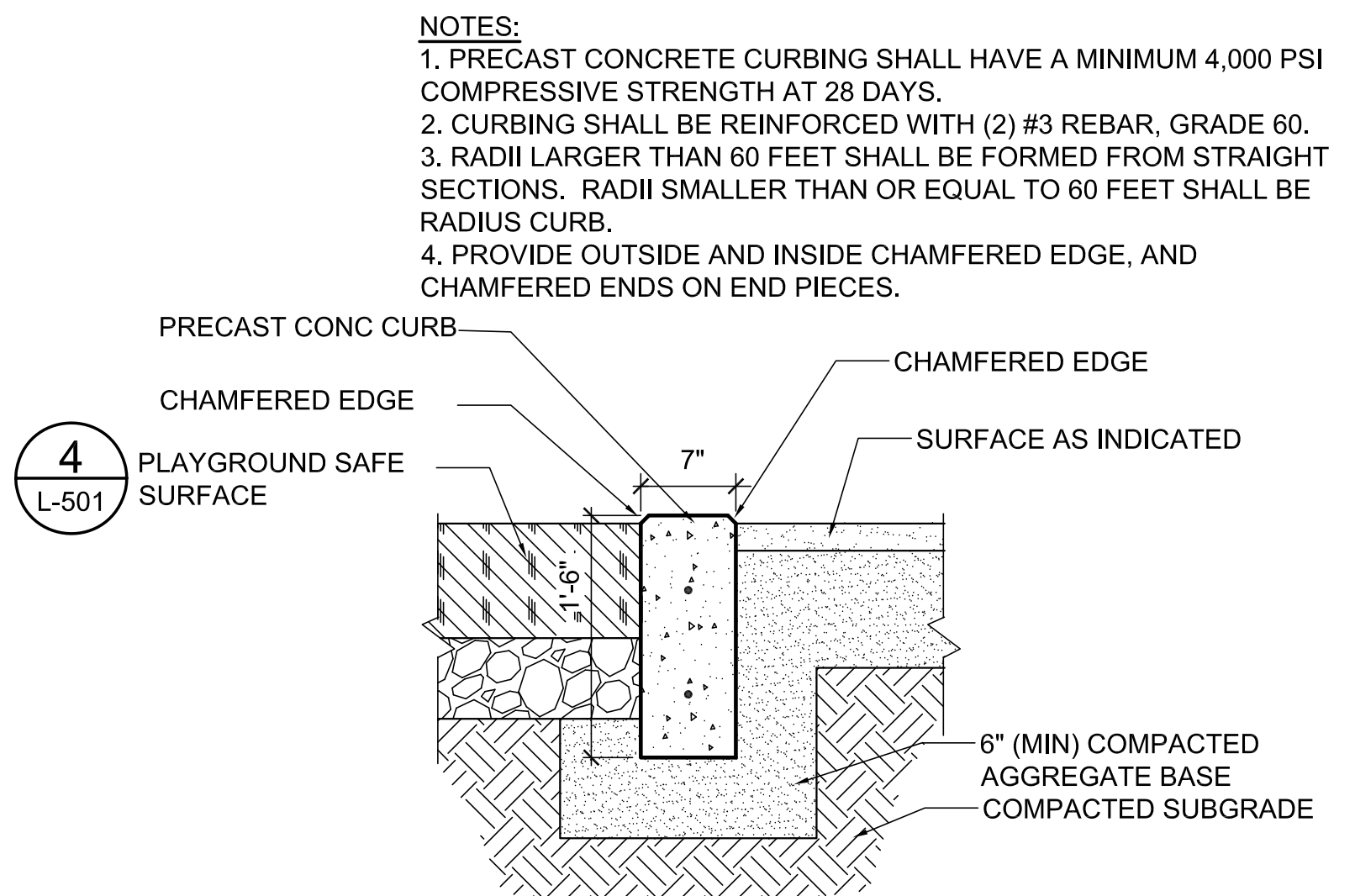


4 GAME LAYOUT

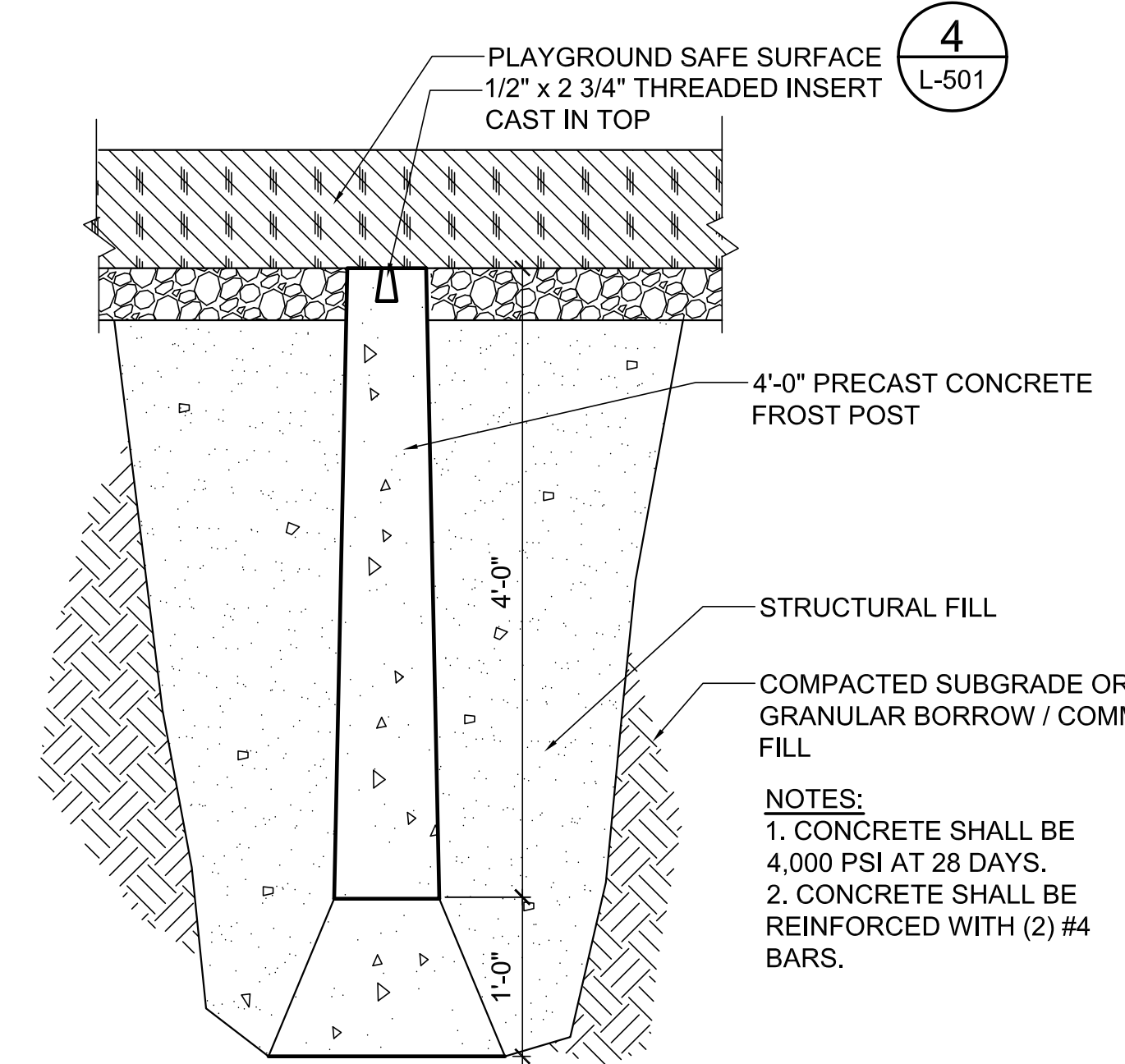
NOTE:
ALL STRIPING FOR FOUR SQUARE SHALL BE 2" WIDE PAVEMENT MARKINGS UNLESS OTHERWISE NOTED.



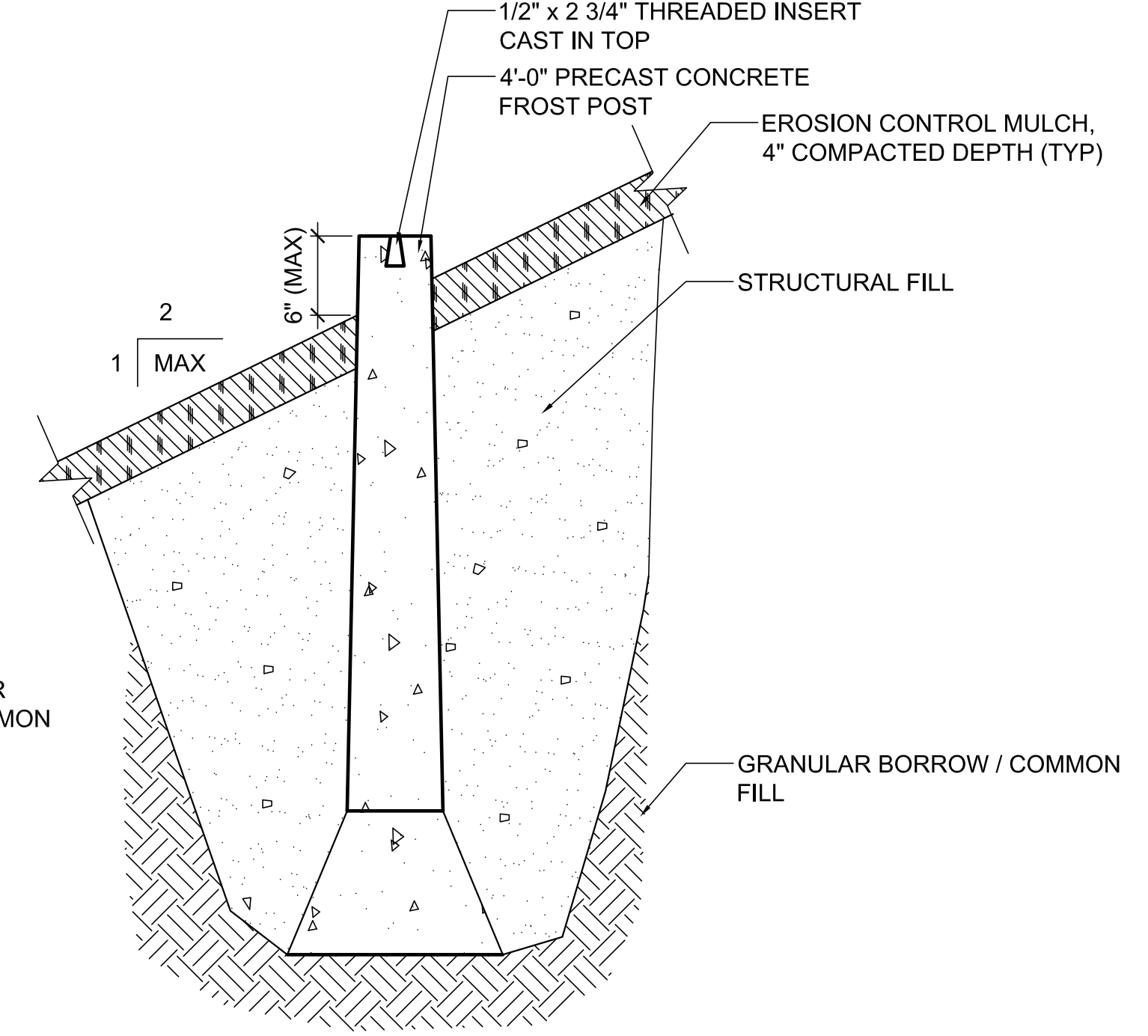
4 ASPHALT WALKWAY AND PLAYGROUND SAFE SURFACE
L-501 NOT TO SCALE



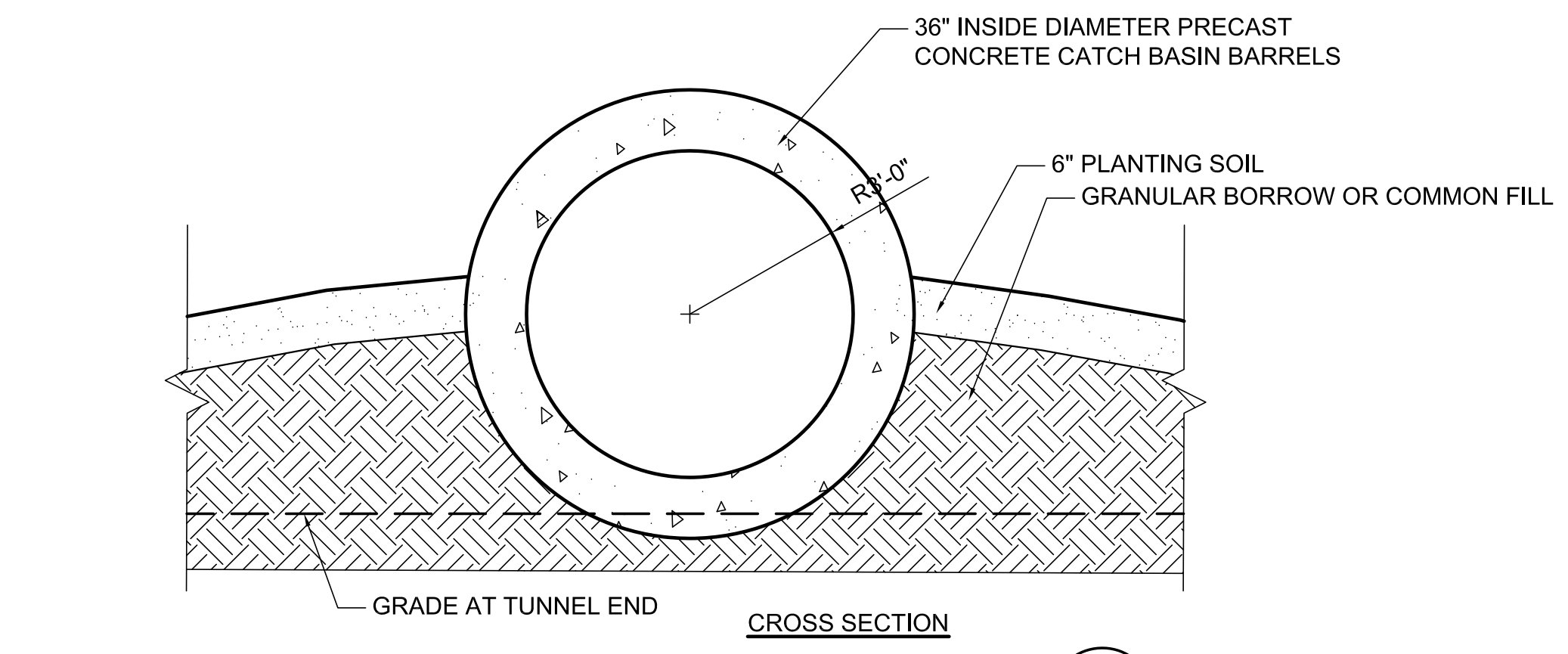
5 PRECAST CONCRETE CURB EDGING
L-501 NOT TO SCALE



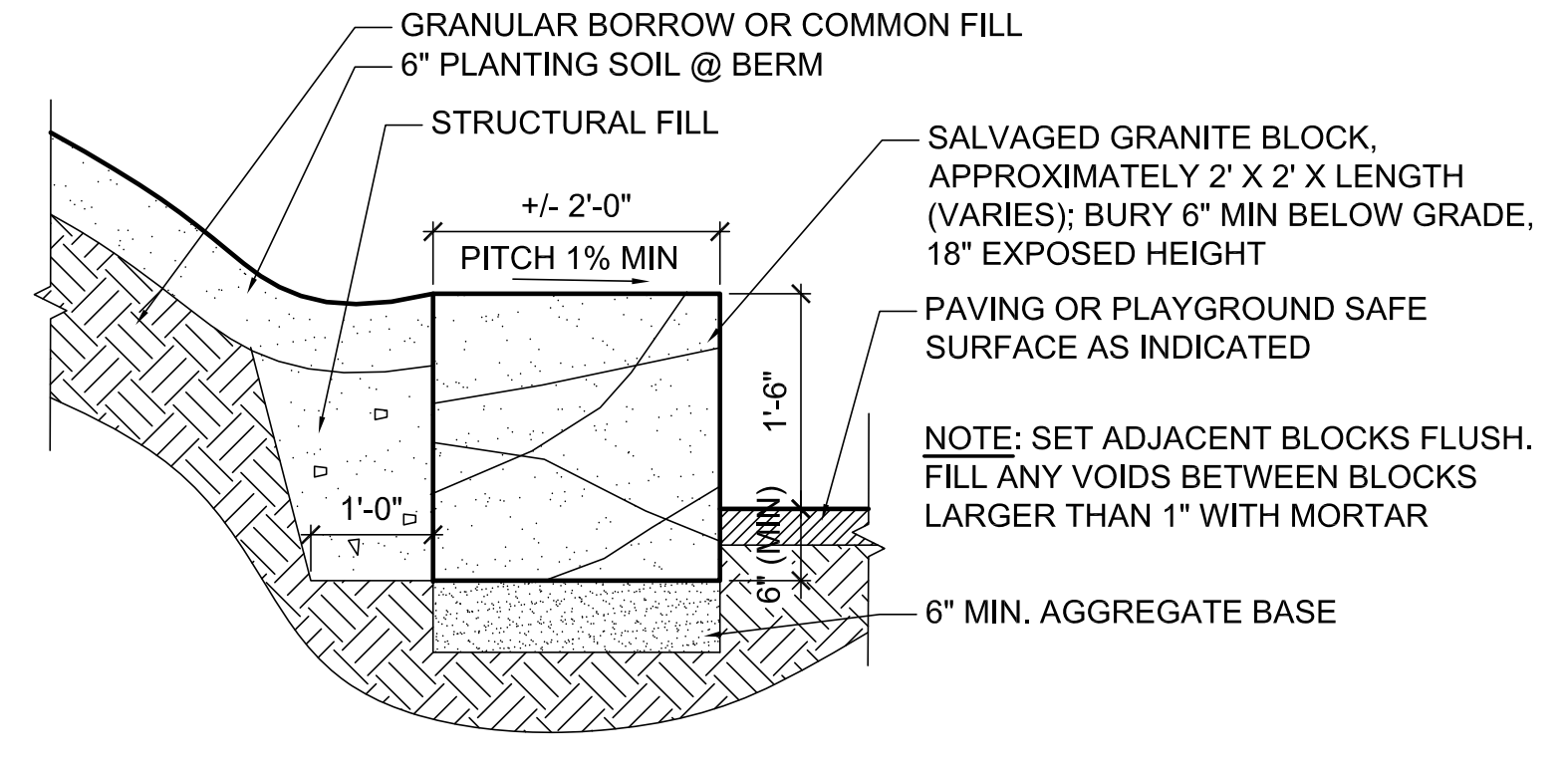
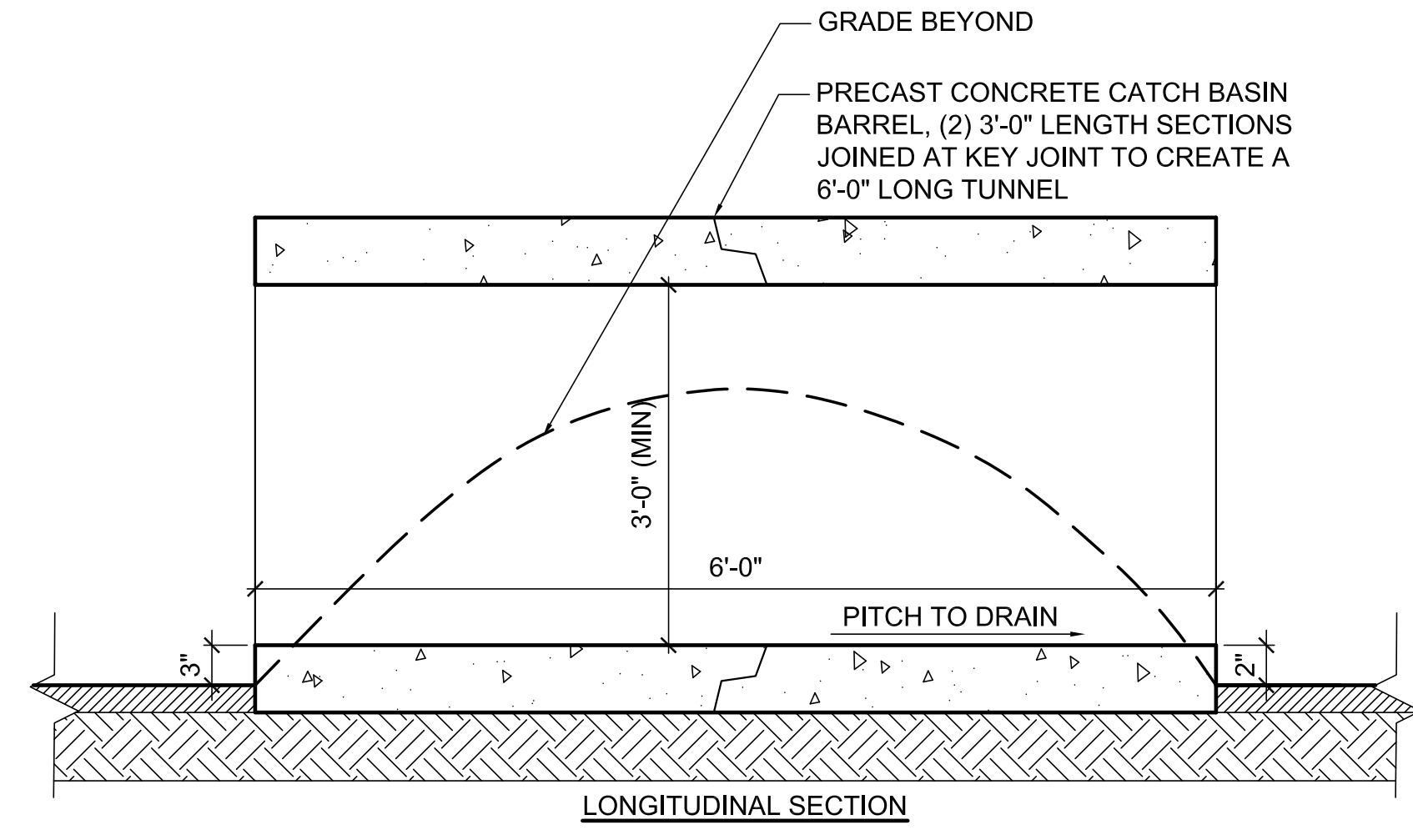
6 PRECAST FOUNDATION POST AT SAFE SURFACE
L-501 NOT TO SCALE



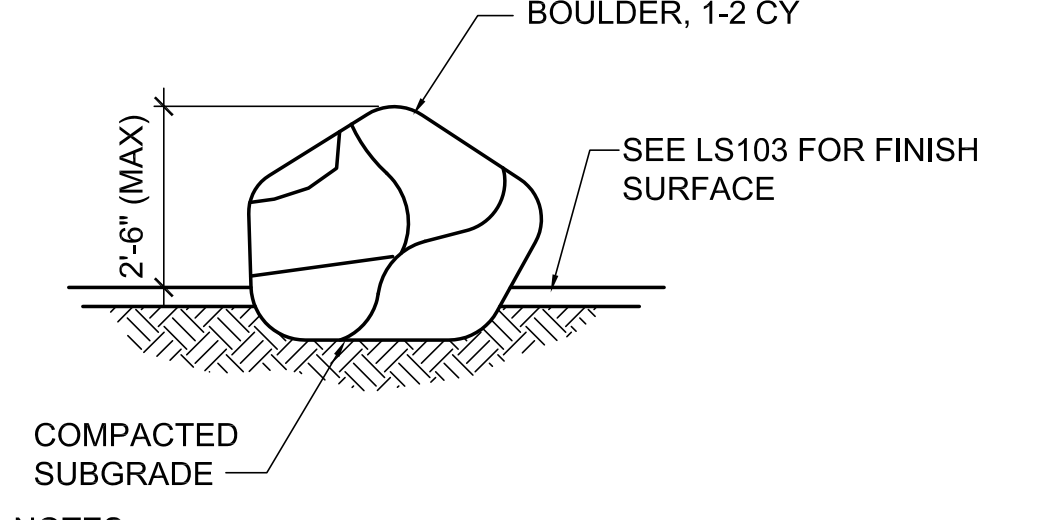
7 PRECAST FOUNDATION POST AT BERM
L-501 NOT TO SCALE



8 SECTIONS @ PRECAST CONCRETE TUNNEL
L-501 NOT TO SCALE

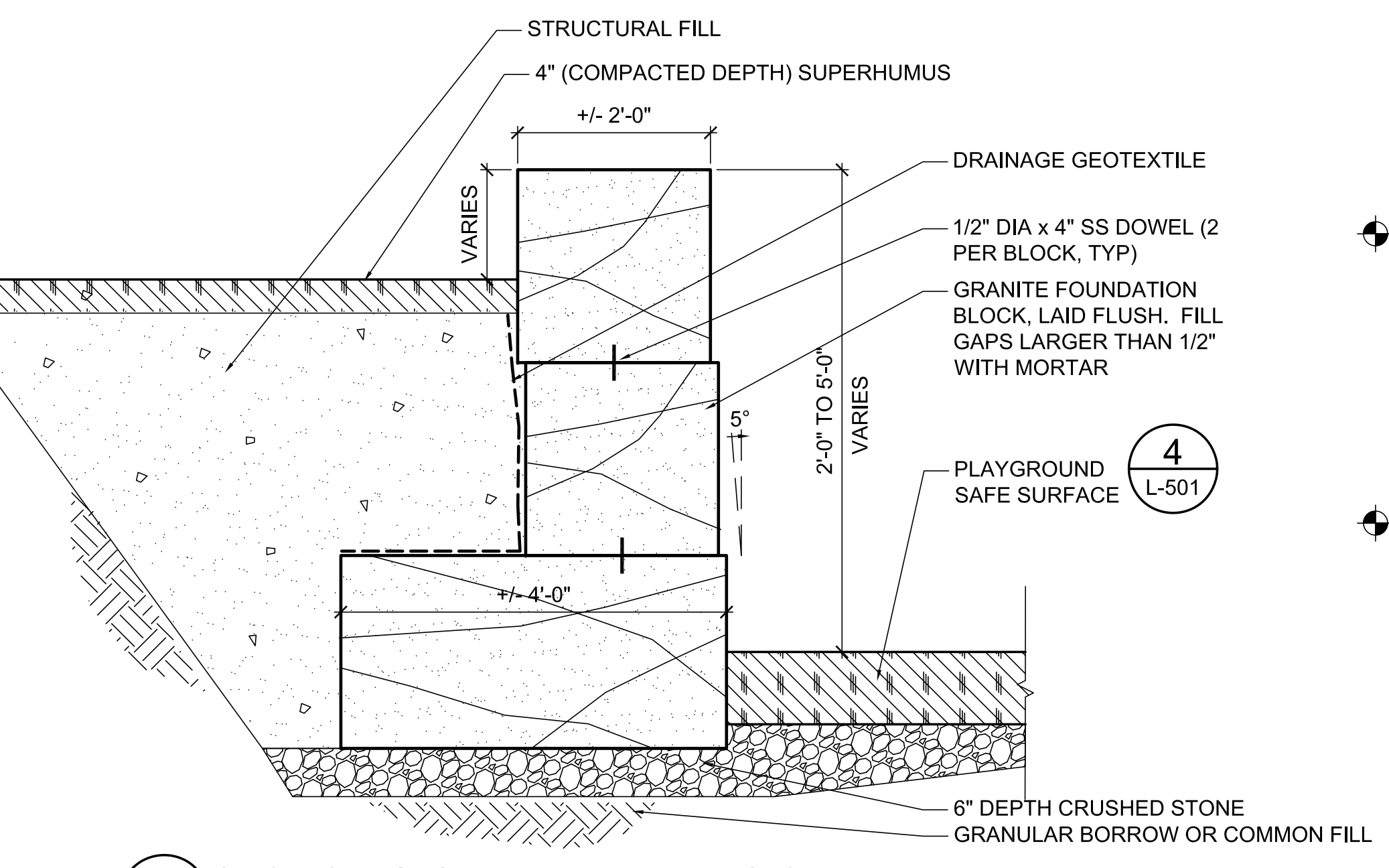


9 SECTION @ GRANITE SEAT WALL
L-501 NOT TO SCALE

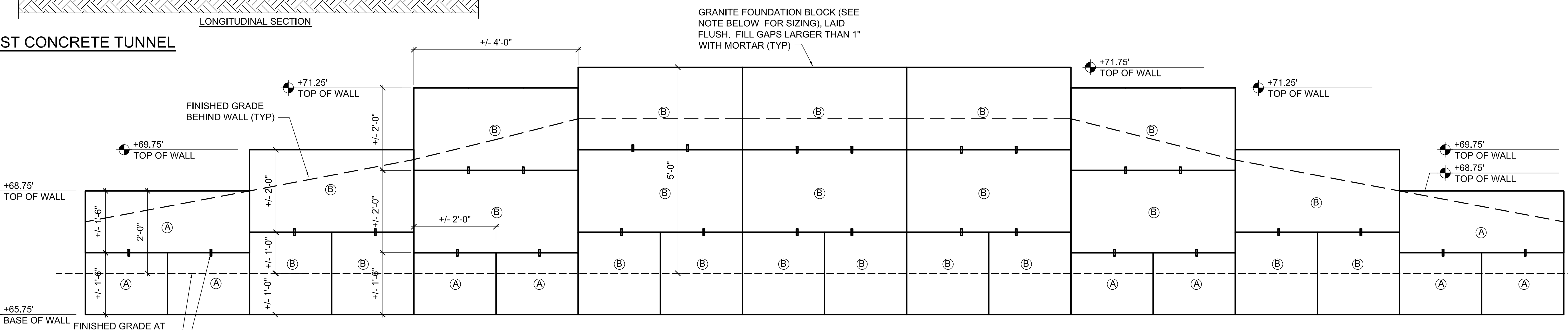


NOTES:
1. PLACE BOULDER SUCH THAT AT LEAST 1/4 OF THE MASS OF THE BOULDER IS BELOW FINISH GRADE.
2. BOULDERS SHALL BE FURNISHED BY OWNER. CONTRACTOR SHALL DELIVER TO SITE FROM CITY STOCKPILE AND INSTALL.

10 LANDSCAPE BOULDER
L-501 NOT TO SCALE

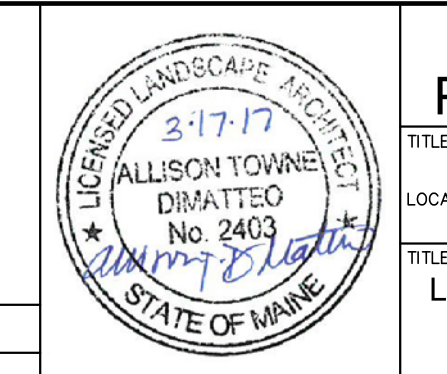


11 SECTION @ GRANITE 'JUMPING OFF' WALL
L-501 NOT TO SCALE



NOTES:
1. WALL LAYOUT IS ON A CURVE. PROFILE IS SHOWN AS STRAIGHT. SEE LS105 FOR LAYOUT INFORMATION.
2. BLOCK SIZES ARE FOR BIDDING PURPOSES ONLY. ACTUAL BLOCK SIZES WILL DEPEND ON SIZES AVAILABLE.
3. BLOCK SIZE 'A' = 1'-6"X2'X4'; BLOCK SIZE 'B' = 2'X2'X4'.

12 GRANITE 'JUMPING OFF' WALL PROFILE
L-501 NOT TO SCALE



STATE OF MAINE PUBLIC SCHOOL PROJECT	
TITLE: PORTLAND PUBLIC SCHOOLS NEW FRED P. HALL ELEMENTARY SCHOOL LOCATION: 23 ORONO ROAD, PORTLAND, ME	
LANDSCAPE DETAILS - 1	
DRAWN BY: ATD	CHECKED BY: JLG
DATE: 03/17/17	DATE: 03/17/17