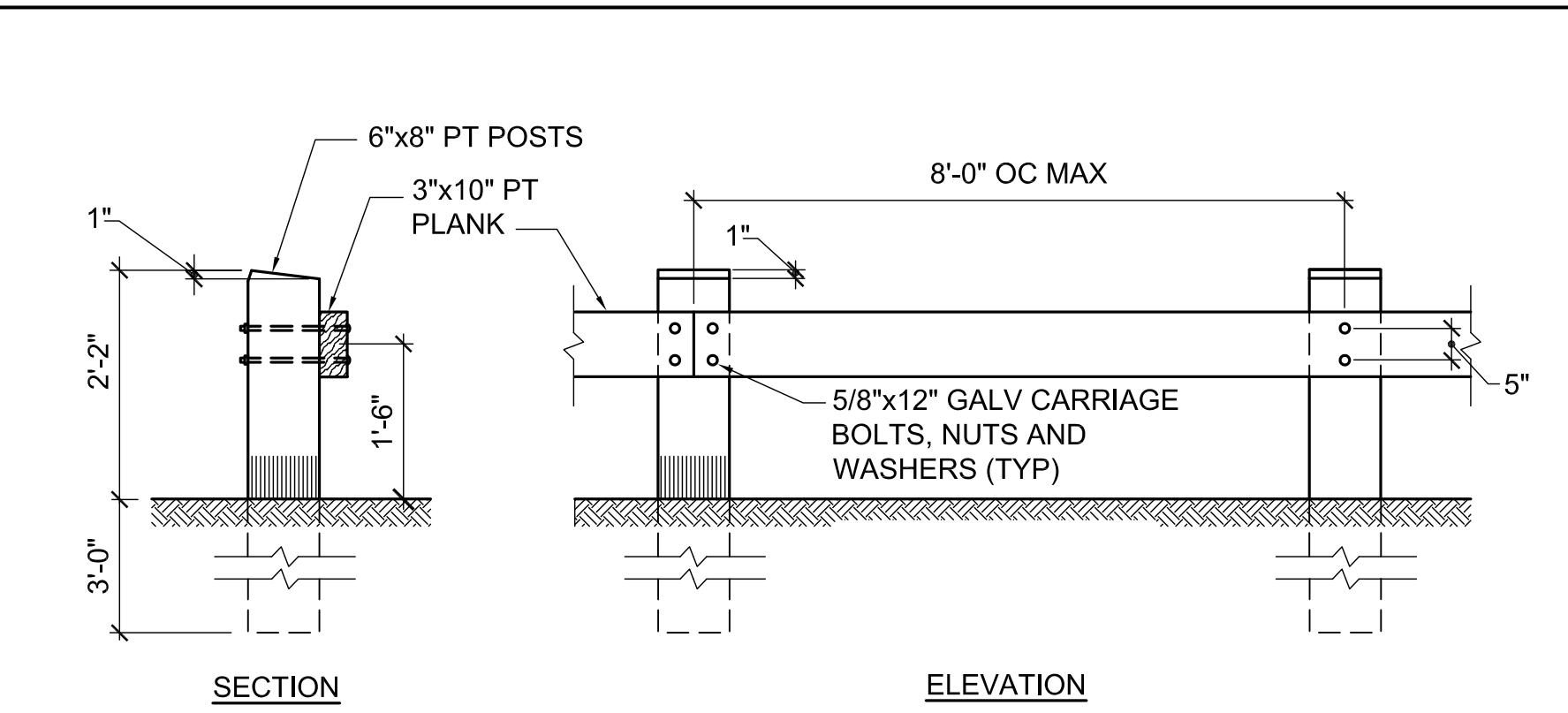
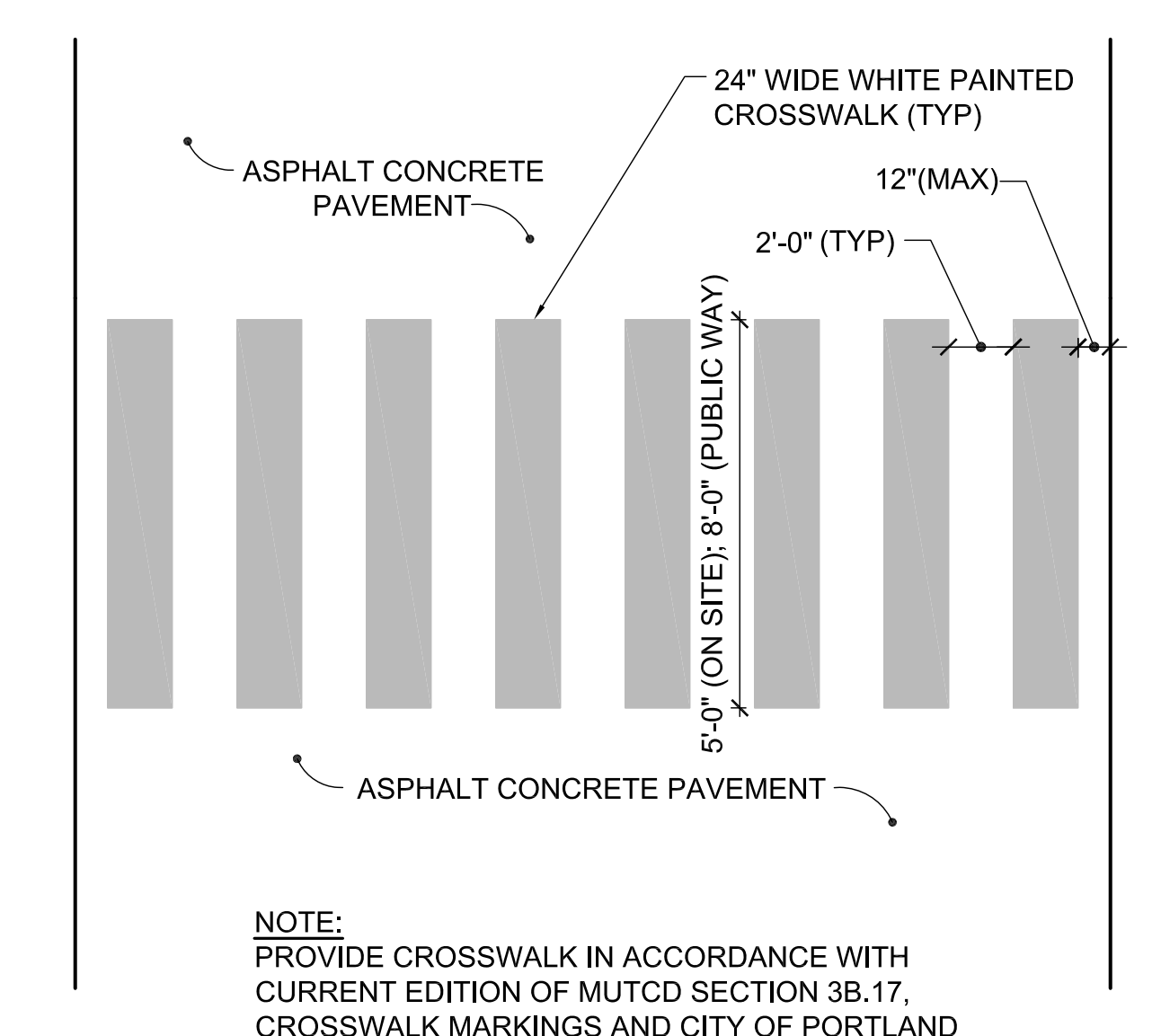


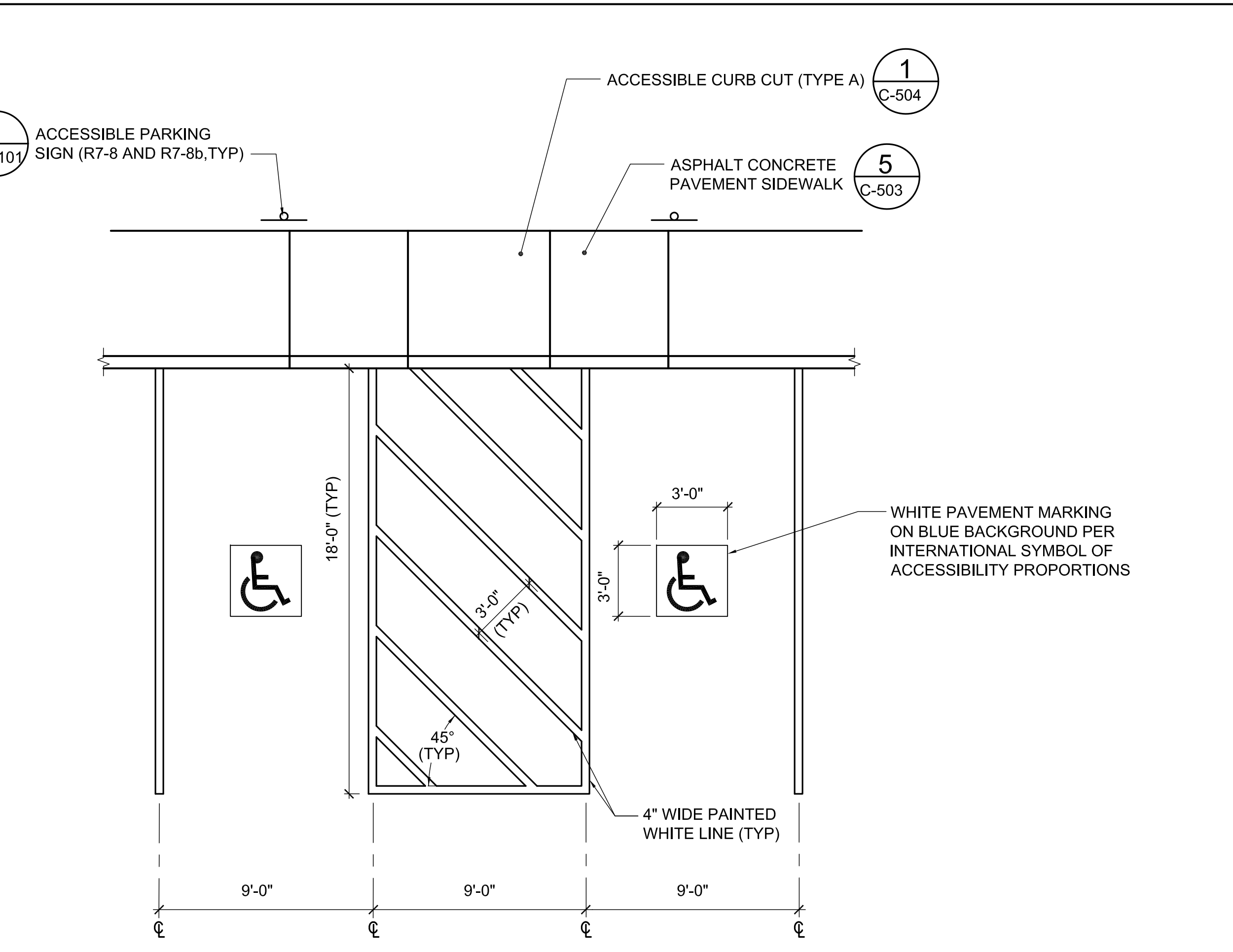
**1 ACCESSIBLE CURB CUT DETAILS**  
C-504 NOT TO SCALE



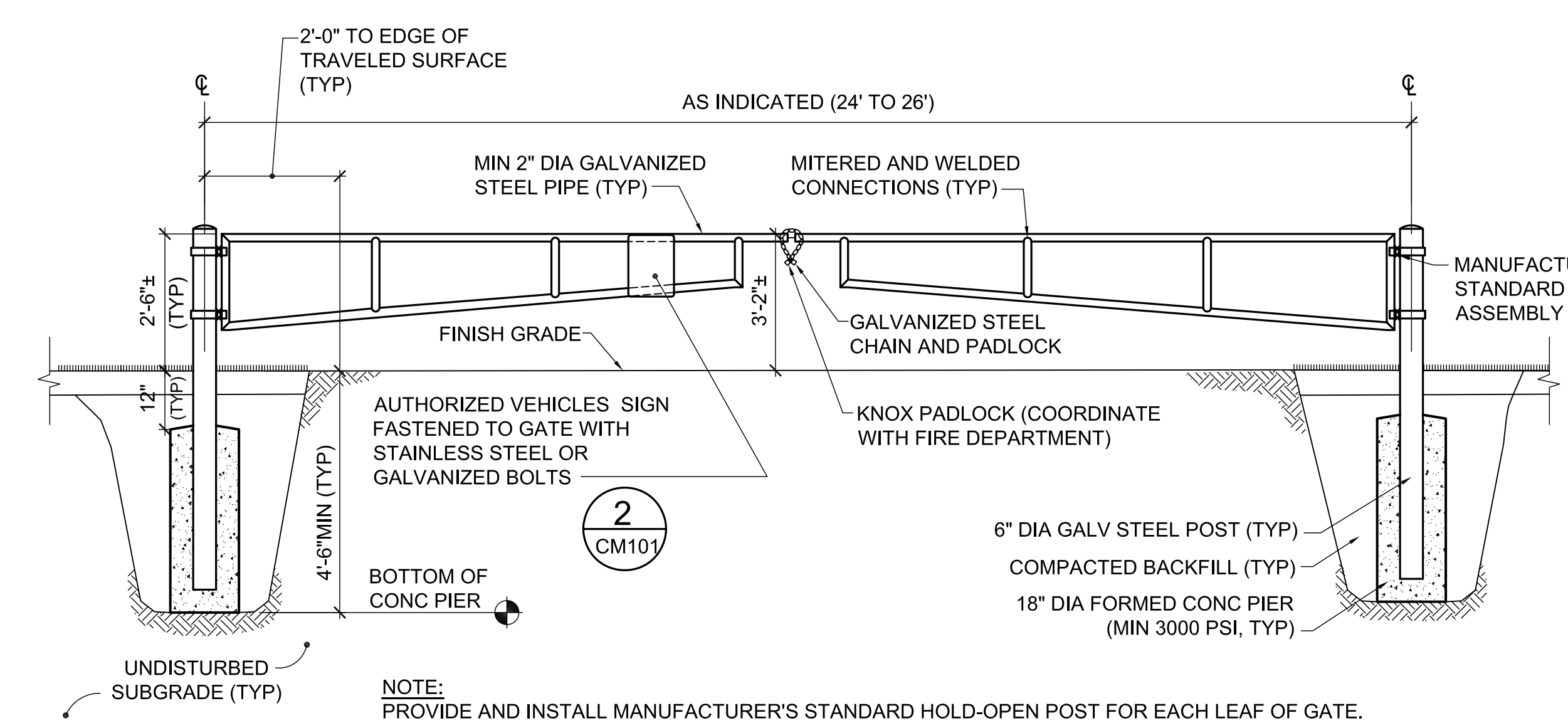
**2 TYP WOOD GUARD RAIL DETAIL**  
C-504 NOT TO SCALE



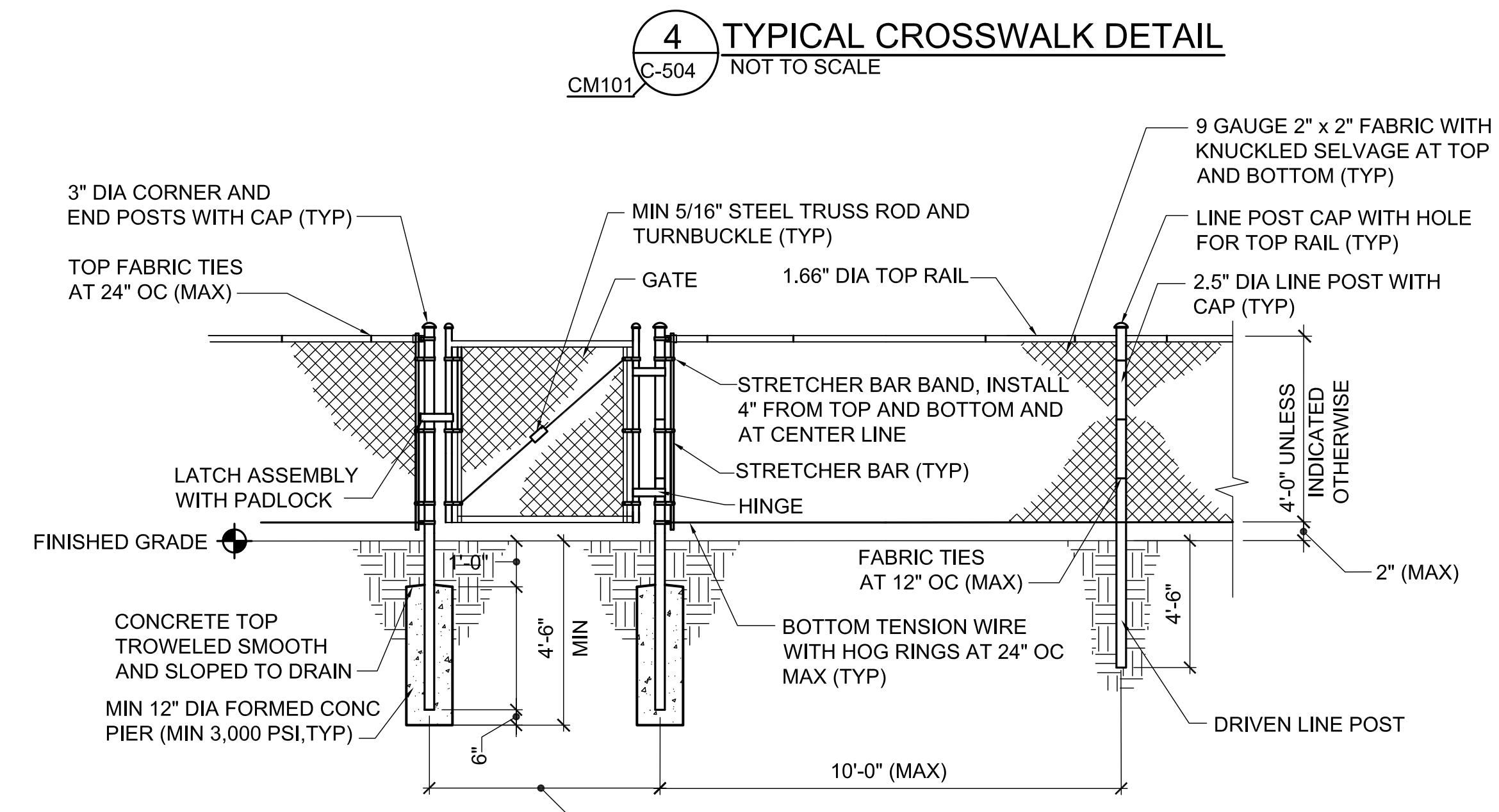
**4 TYPICAL CROSSWALK DETAIL**  
C-504 NOT TO SCALE



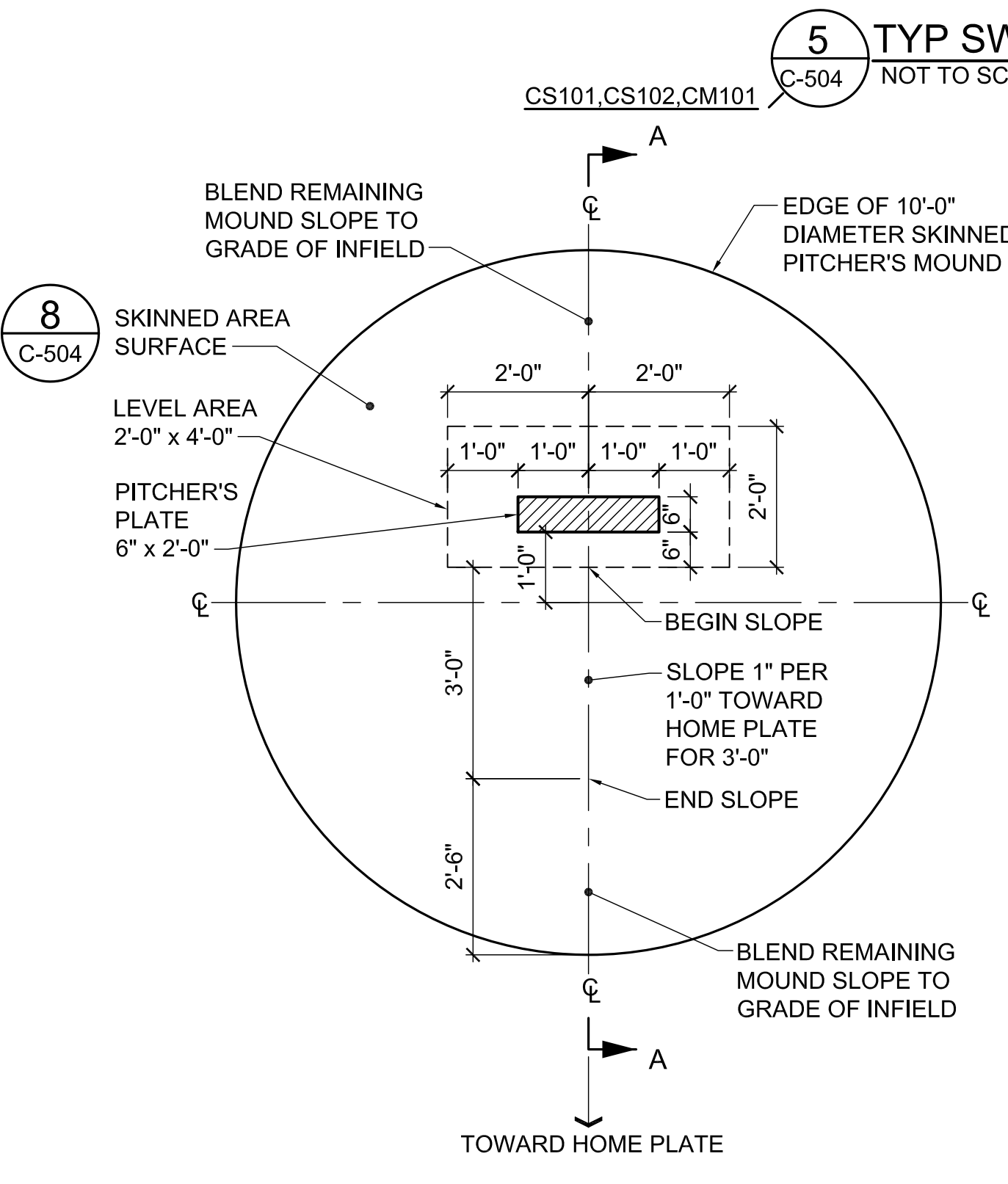
**3 TYP ACCESSIBLE PARKING STALL AND PAVEMENT MARKING**  
C-504 NOT TO SCALE



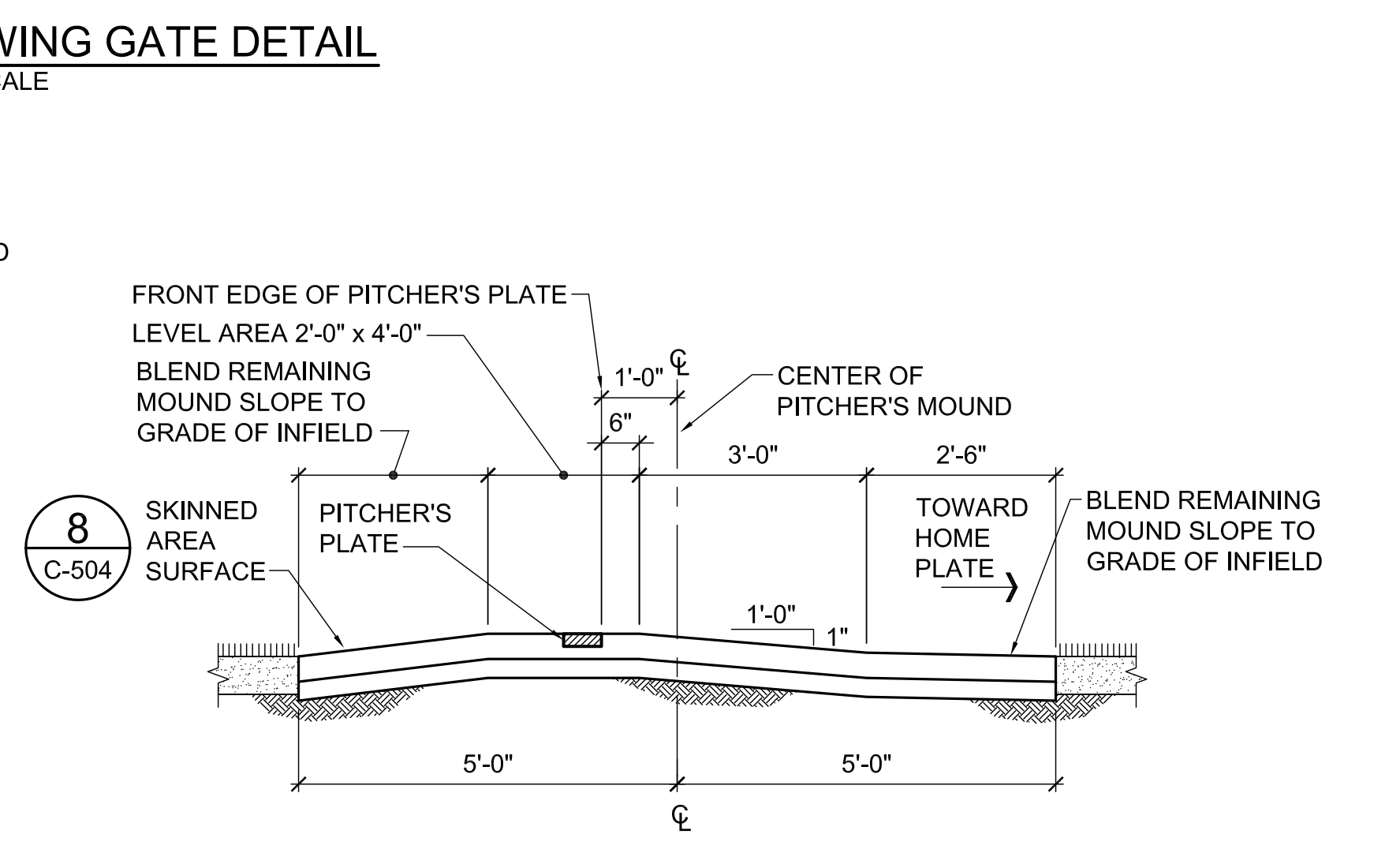
**5 TYP SWING GATE DETAIL**  
C-504 NOT TO SCALE



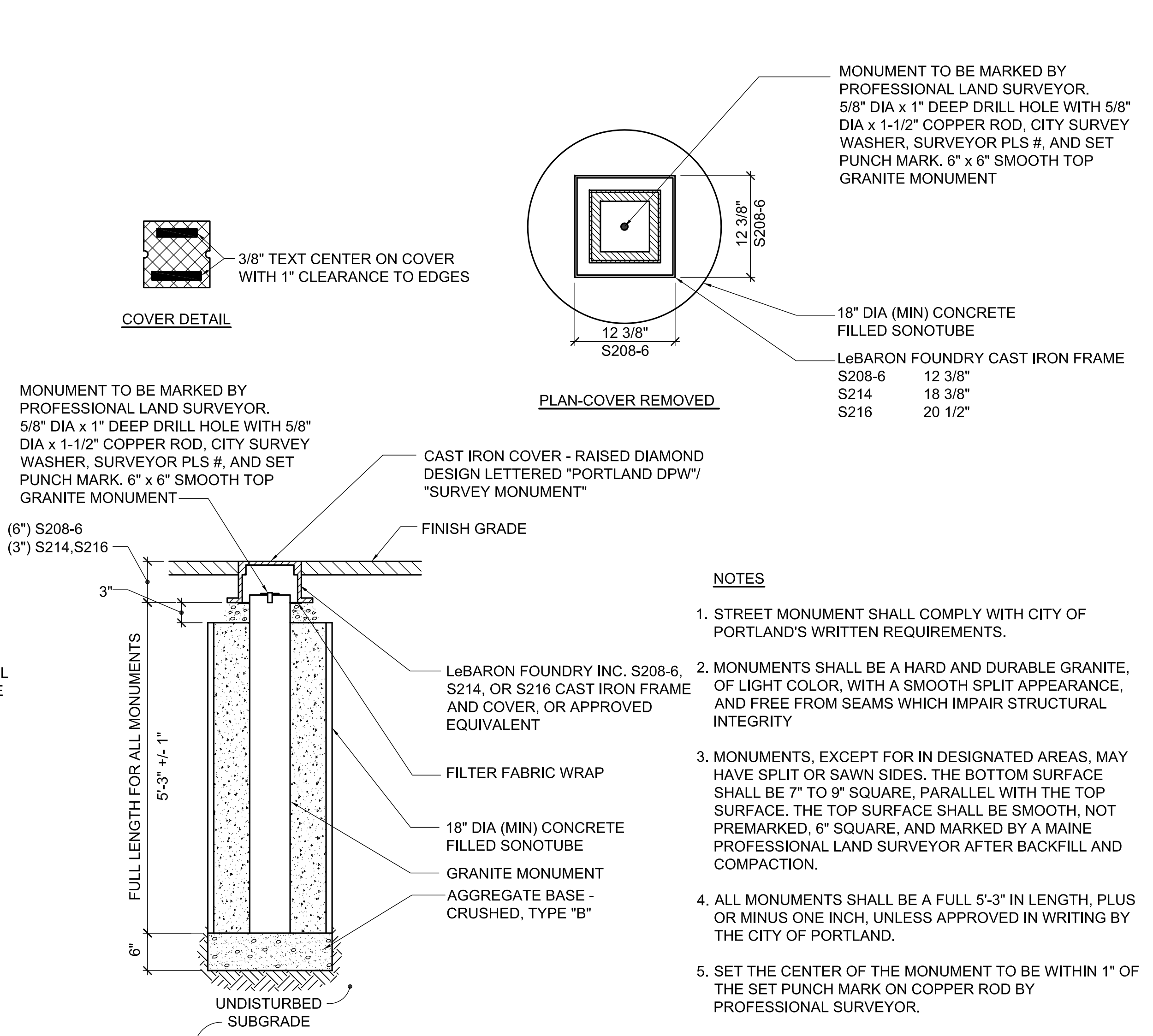
**6 CHAIN LINK FENCE AND PEDESTRIAN GATE DETAIL**  
C-504 NOT TO SCALE



**7 PITCHER'S MOUND DETAIL**  
C-504 NOT TO SCALE



**8 TYP SKINNED INFIELD SECTION**  
C-504 NOT TO SCALE



**9 GRANITE STREET MONUMENT DETAILS**  
C-504 NOT TO SCALE

STATE OF MAINE PUBLIC SCHOOL PROJECT			TITLE: NEW FRED P. HALL ELEMENTARY SCHOOL LOCATION: 23 ORONO ROAD, PORTLAND, ME TITLE THIS DRAWING: SITE DETAILS - 2
DRAWN BY: JSD CHECKED BY: JLG	DATE: 03/17/17		DRAWING NO.: C-504 SHEET NO.: 49 OF 312