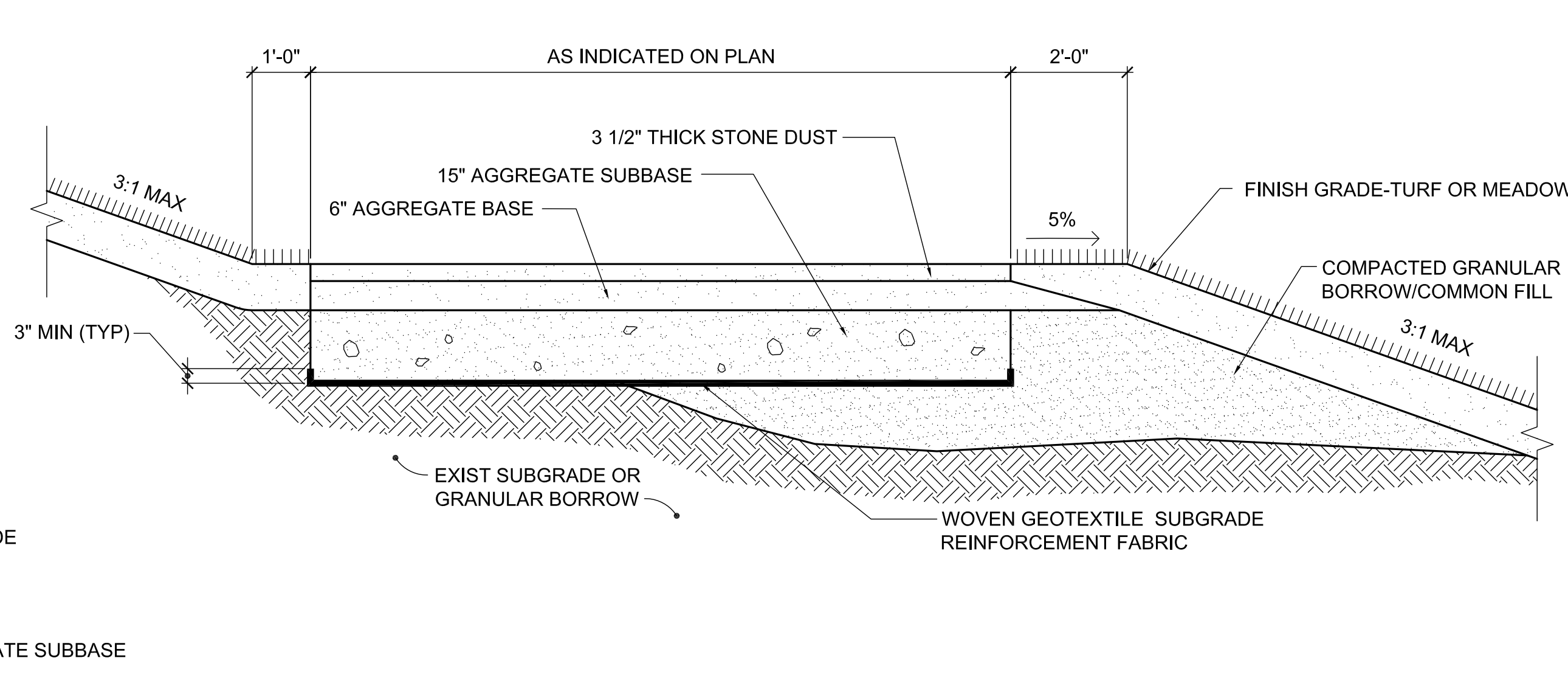


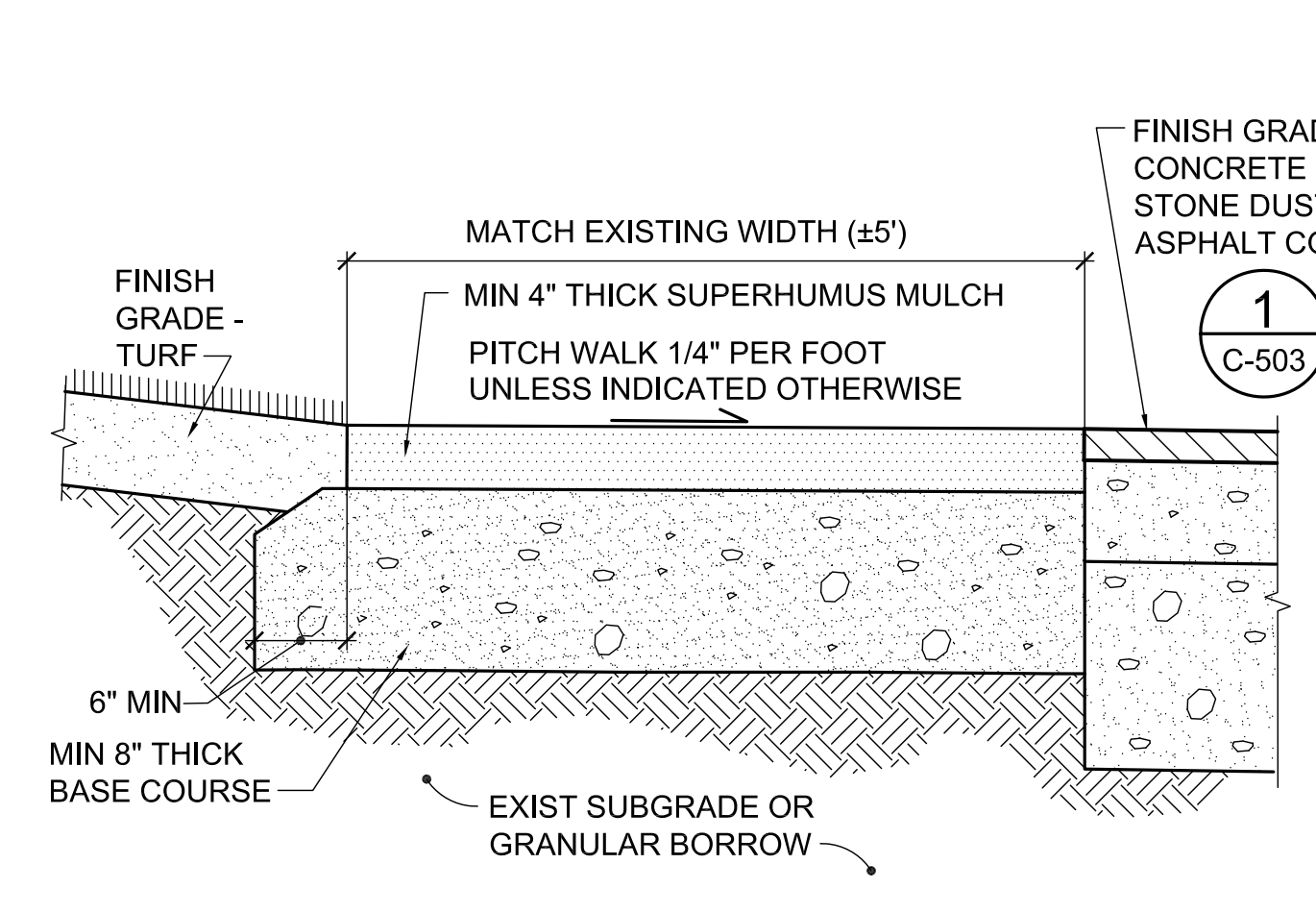
1 TYP ASPHALT CONCRETE PAVEMENT DETAIL (STANDARD DUTY)

CS101,CS102,CS103,C-301
C-503,C-505,C-507,C-508



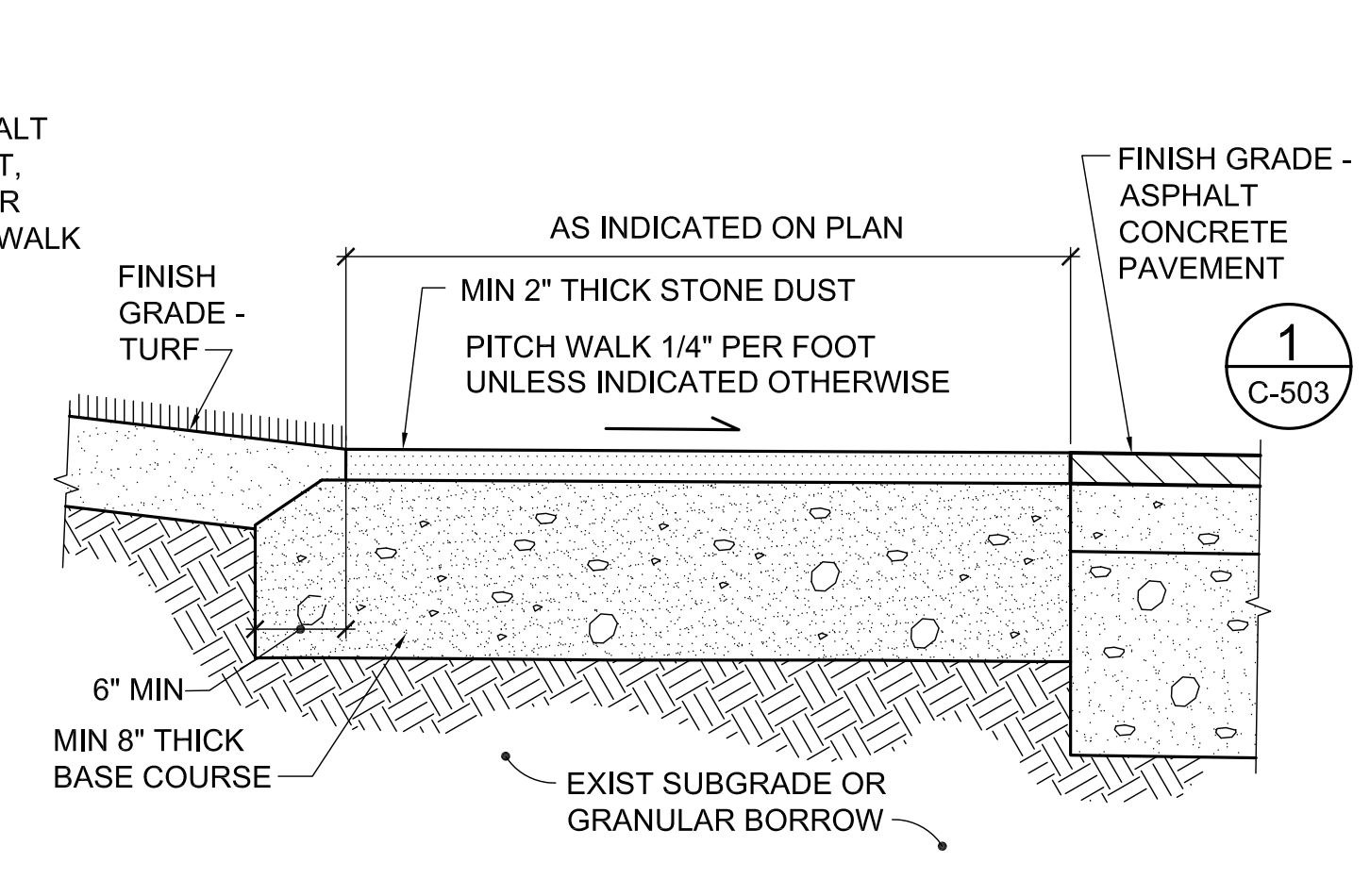
2 STONEDUST ACCESS ROAD SECTION

CS101,C-503 NOT TO SCALE



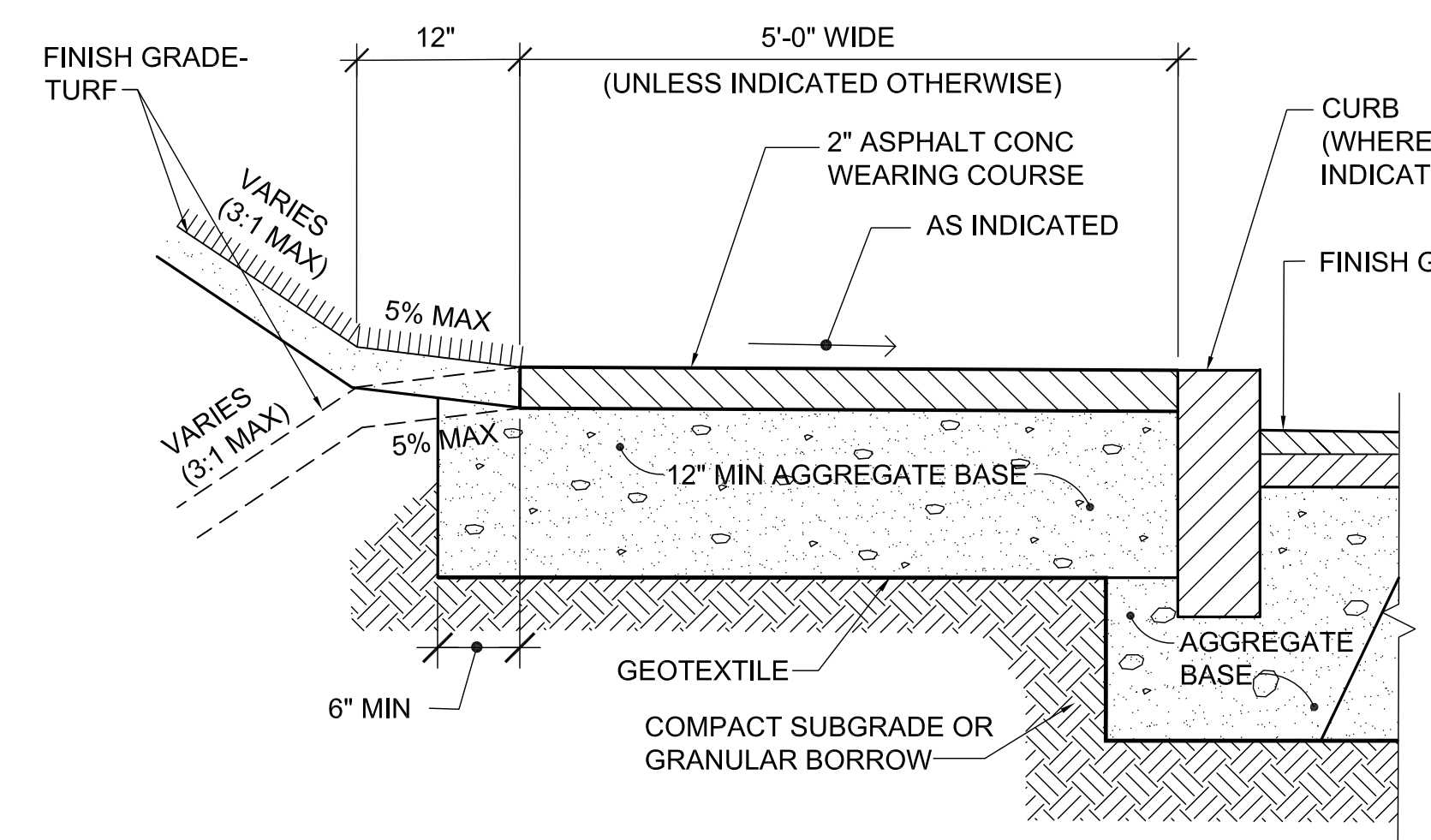
3 TYP WALKING TRAIL DETAIL

CS102,CS103,C-503 NOT TO SCALE



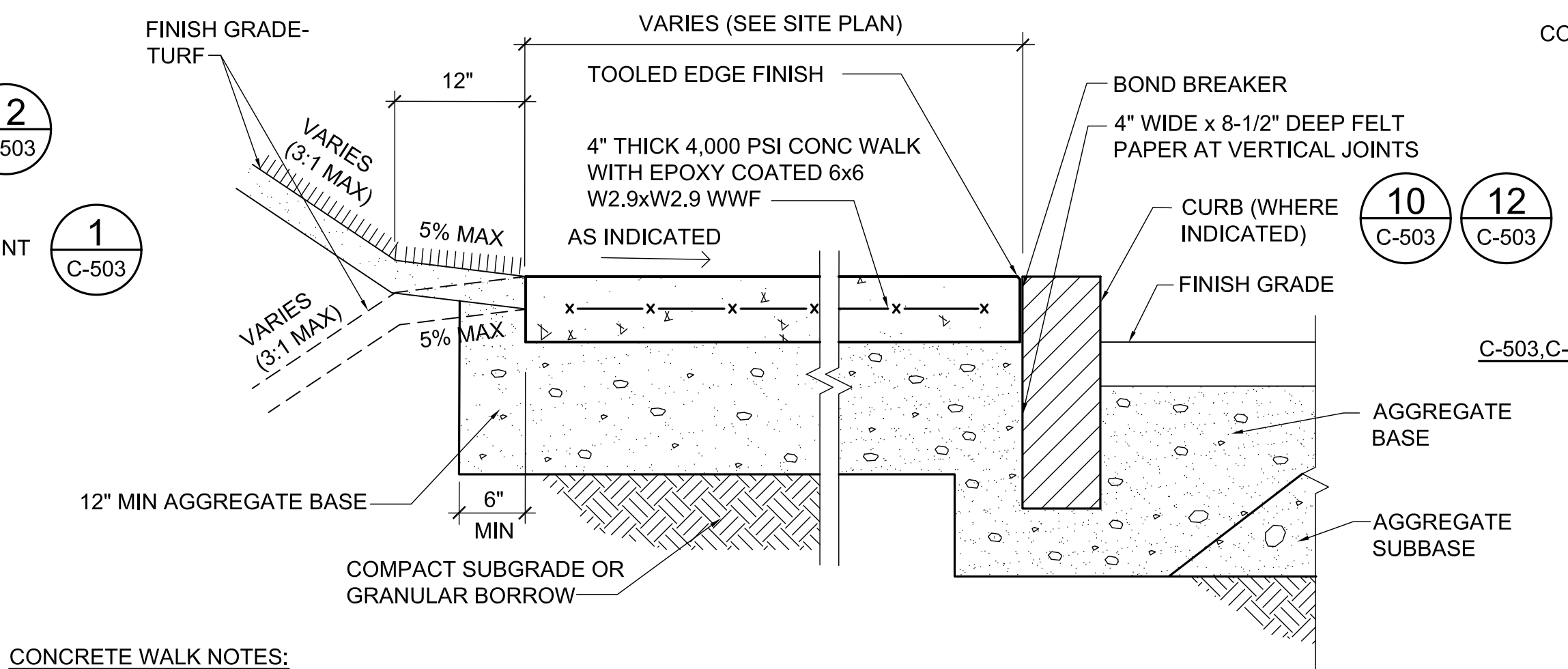
4 TYP STONE DUST WALK DETAIL

CS101,C-503 NOT TO SCALE



5 TYP ASPHALT CONCRETE SIDEWALK SECTION

CS101,CS102,CS103,C-301
C-503,C-504,C-507

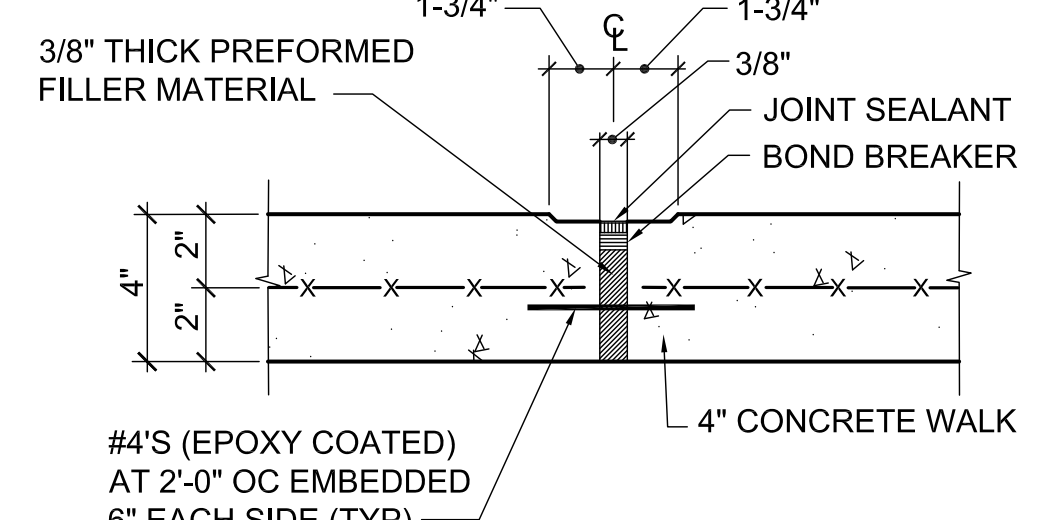


7 TYP CONTROL JOINT DETAIL

C-503,C-505 NOT TO SCALE

CONCRETE WALK NOTES:

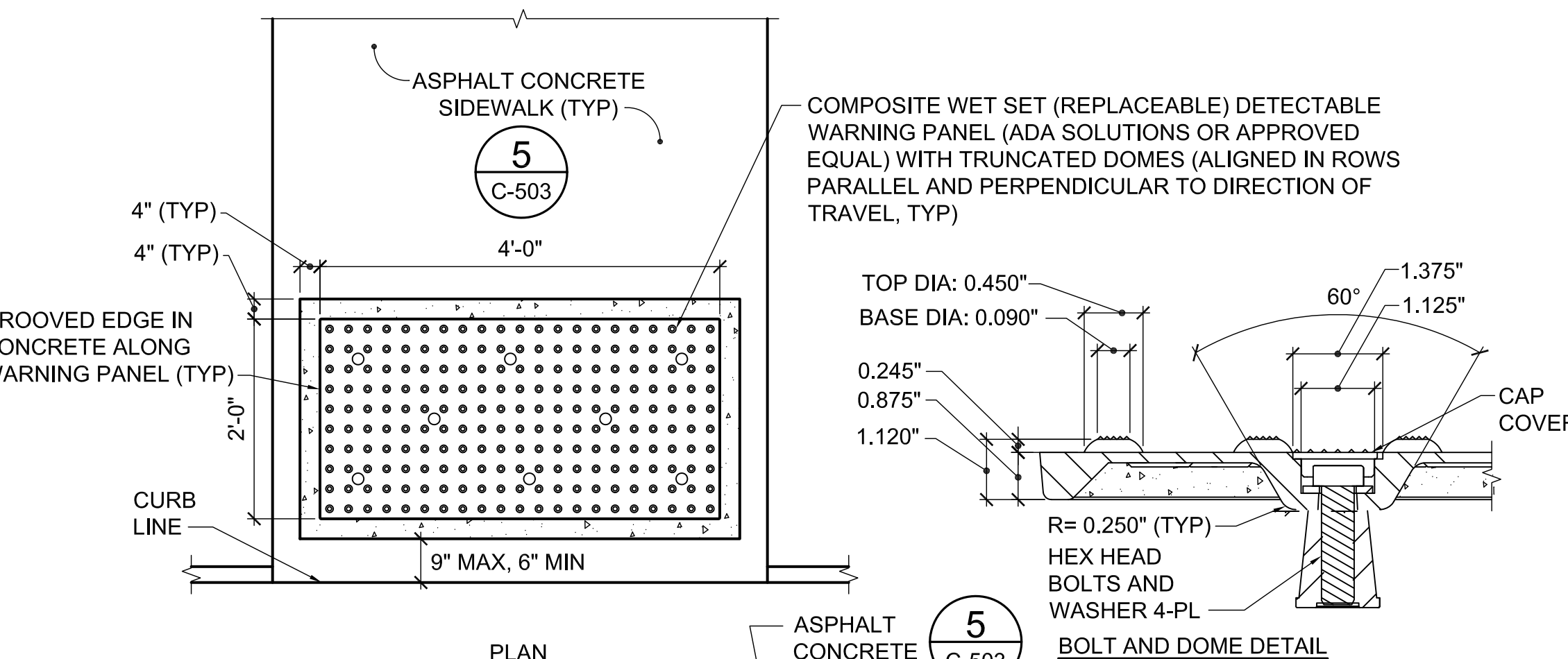
1. PROVIDE MEDIUM BROOM FINISH PERPENDICULAR TO DIRECTION OF TRAVEL.
2. PROVIDE TOOLED CONTROL JOINTS AT 5'-0" TO 6'-0" ON CENTER, EQUALLY SPACED, UNLESS INDICATED OTHERWISE, AND AT ALL EDGES.
3. PROVIDE EXPANSION JOINTS AT 25'-35' ON CENTER, EQUALLY SPACED UNLESS INDICATED OTHERWISE.
4. PROVIDE 1/2" PREFORMED FILLER AND JOINT SEALER WHERE WALK ABUTS THE BUILDING AND CURBING.



8 TYP EXPANSION JOINT DETAIL

C-503 NOT TO SCALE

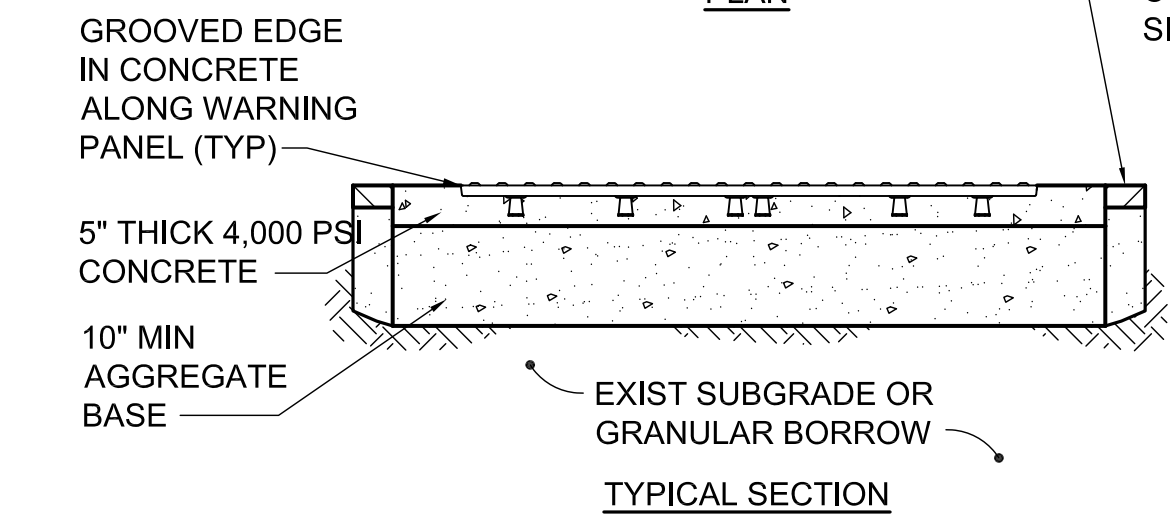
- EXPANSION JOINT NOTES:**
1. TOOLED JOINT SURFACE SHALL BE SMOOTH AND AT A CONSTANT DEPTH.
 2. BREAK REINFORCING AT EXPANSION JOINT.



5 BOLT AND DOME DETAIL

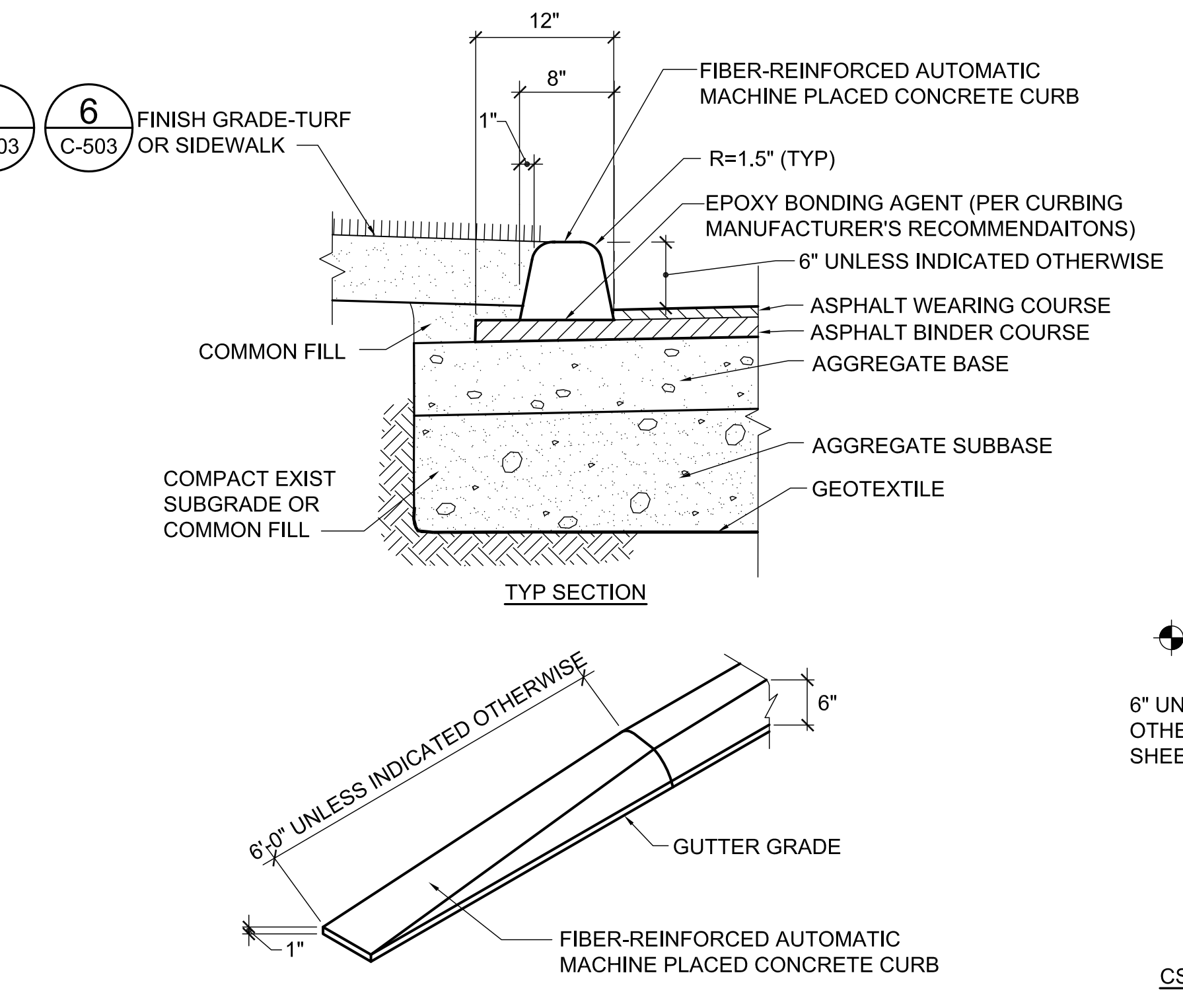
C-503

- DETECTABLE WARNING PANEL NOTES**
1. DETECTABLE WARNING PANELS SHALL CONFORM TO CITY OF PORTLAND'S WRITTEN REQUIREMENTS.
 2. DETECTABLE WARNING COLOR SHALL BE FEDERAL YELLOW (#33538).
 3. INSTALL PANELS IN ACCORDANCE WITH MANUFACTURER'S WRITTEN INSTRUCTIONS.
 4. CONCRETE SHALL HAVE MEDIUM BROOM FINISH, PERPENDICULAR TO DIRECTION OF TRAVEL. SEAL CONCRETE PRIOR TO INSTALLING PANEL.



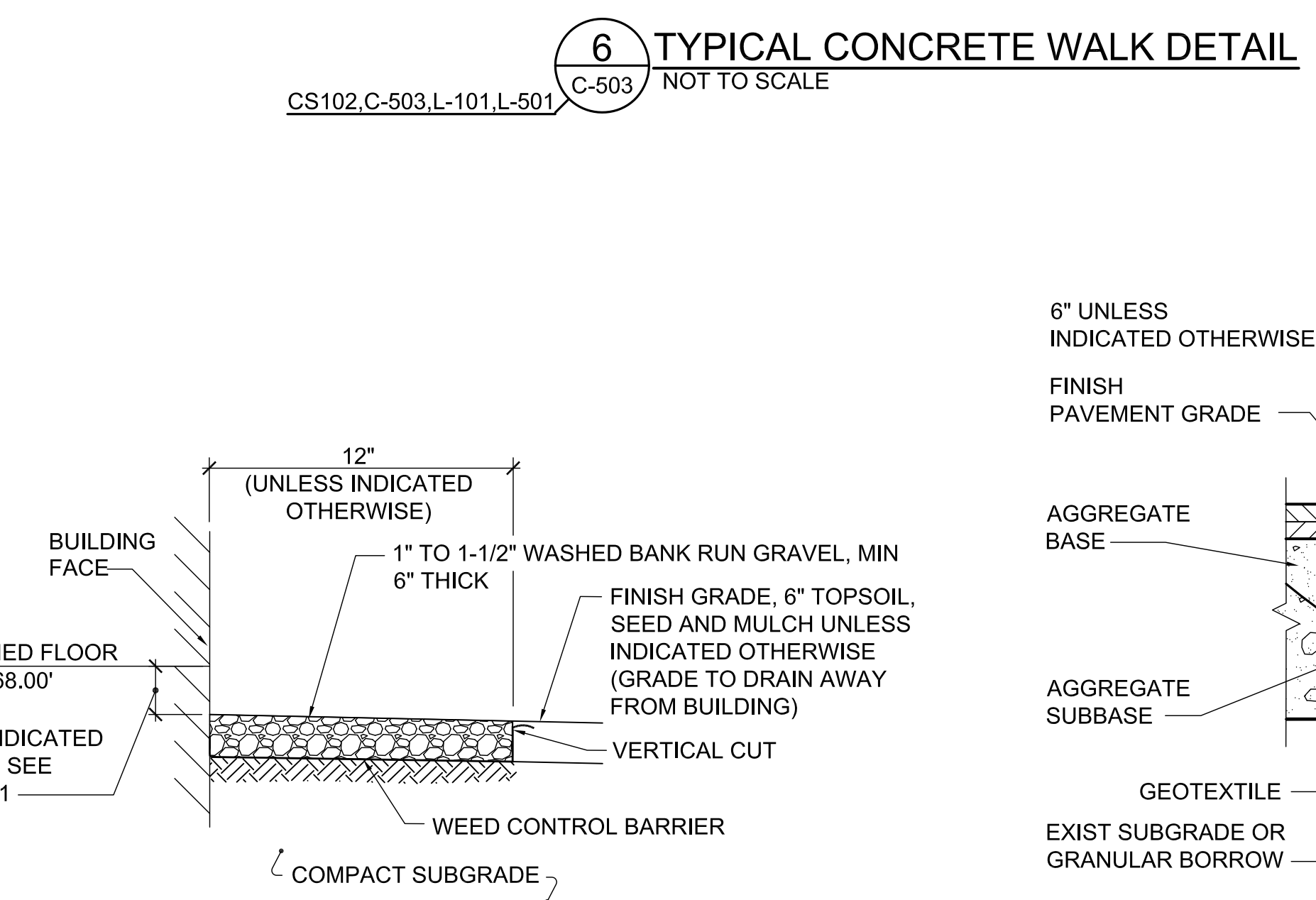
9 TYP DETECTABLE WARNING PANEL DETAIL

CS102,CS103,C-503 NOT TO SCALE



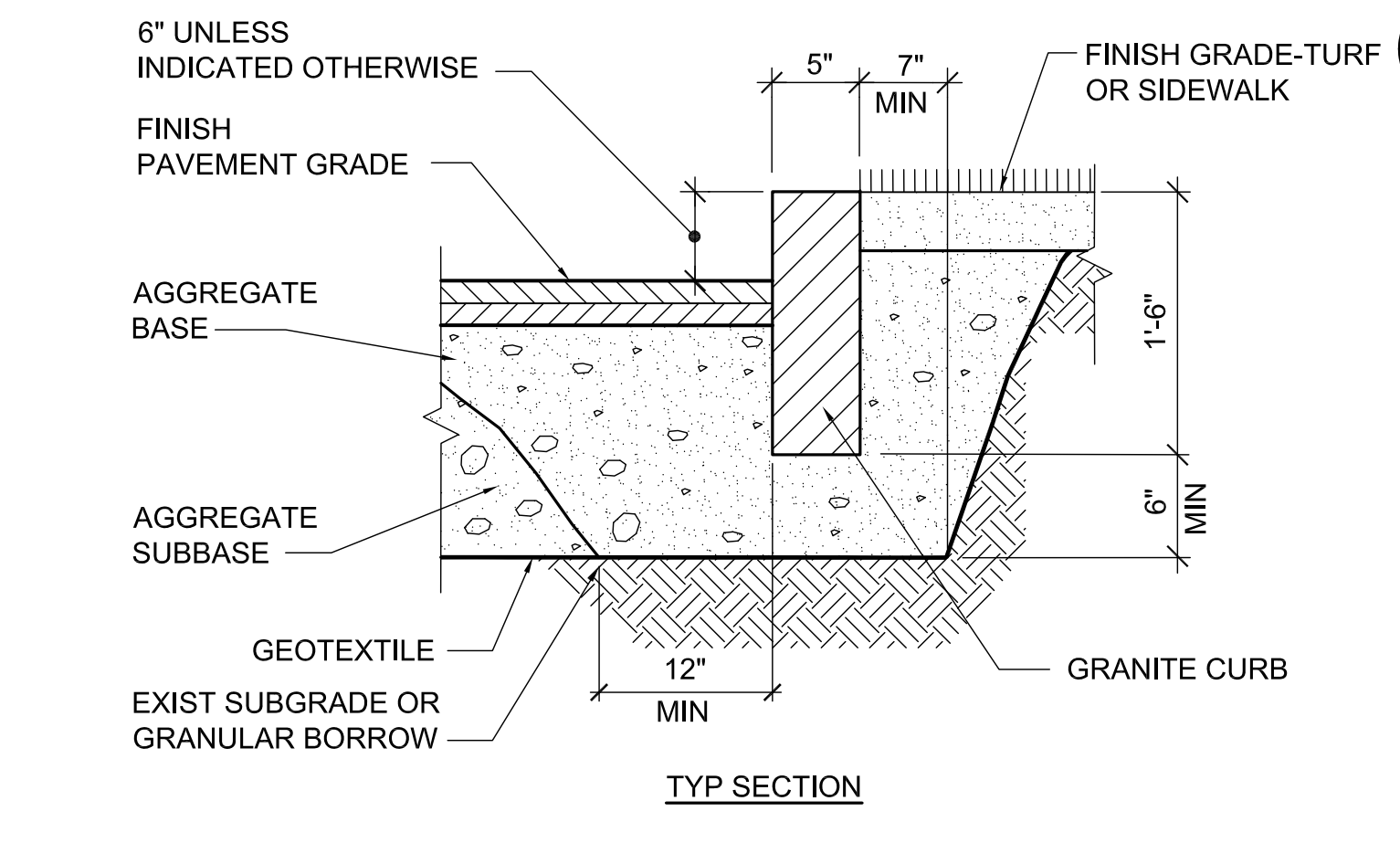
5 TYP CONCRETE CURB DETAIL

CS101,CS102,CS103,C-503 NOT TO SCALE



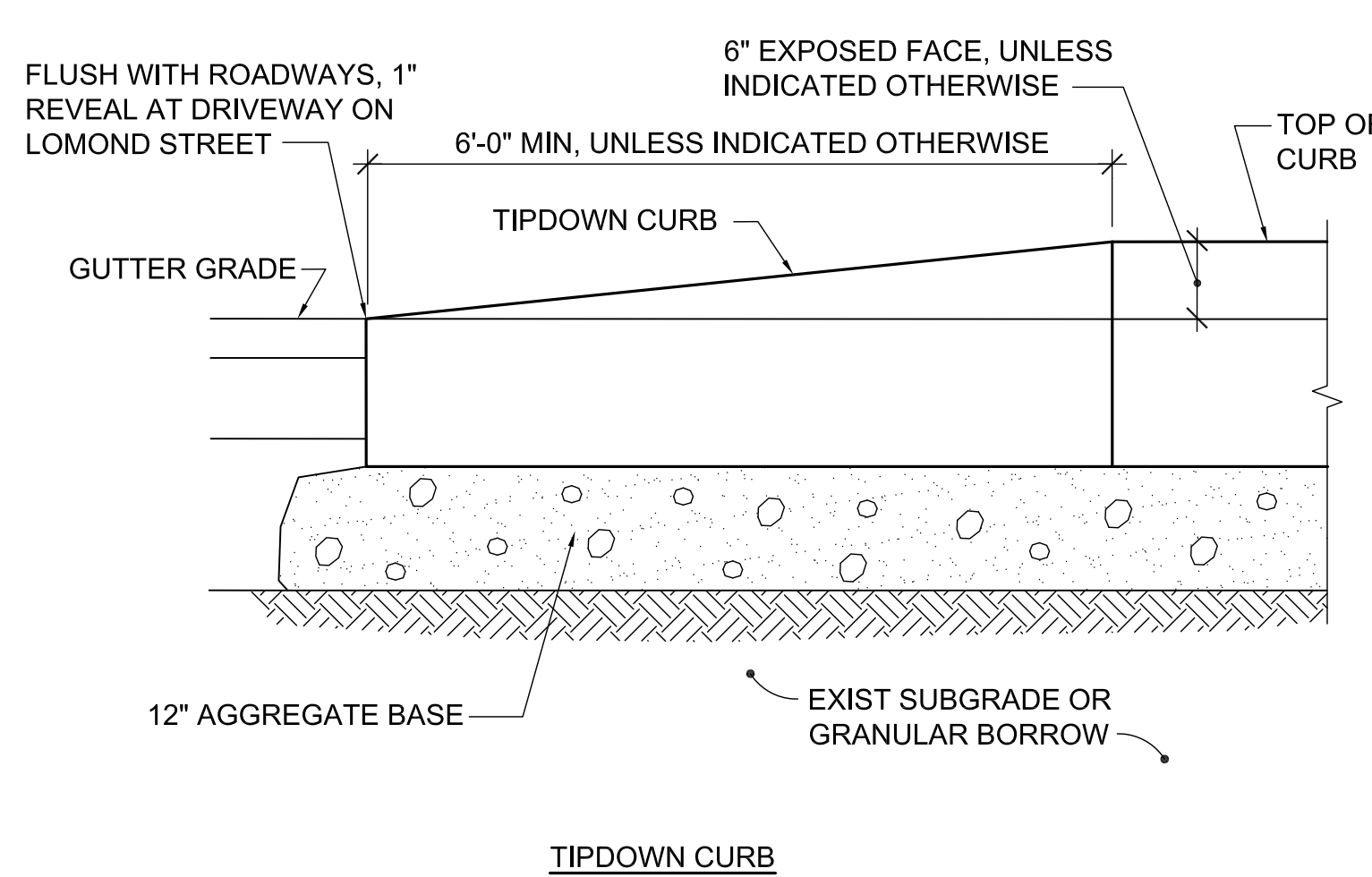
6 TYP GRANITE CURB DETAIL

CS102,CS103,C-301,C-503,C-504,C-505



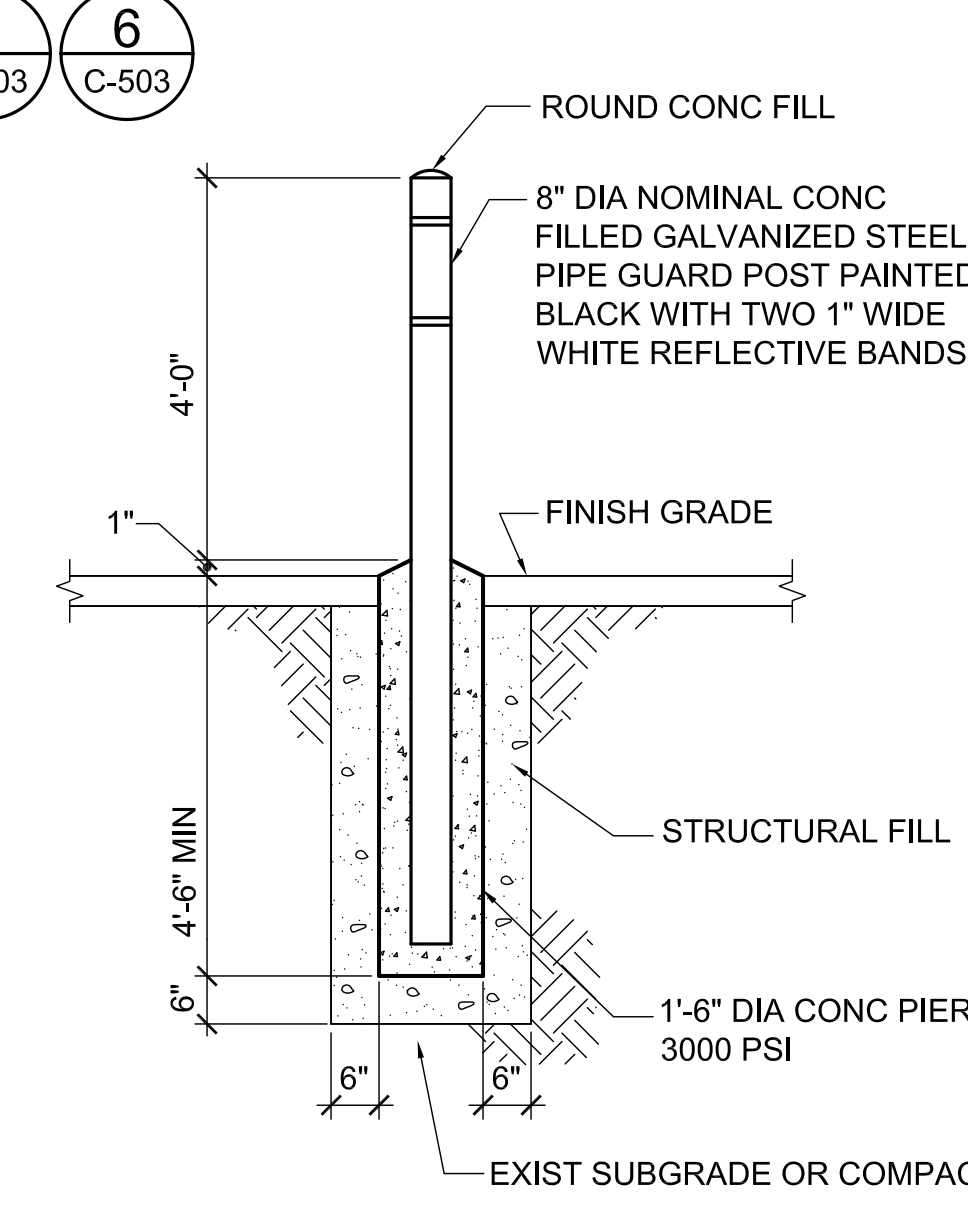
11 TYP STONE DRIP EDGE/MOW STRIP DETAIL

CS102,C-503 NOT TO SCALE



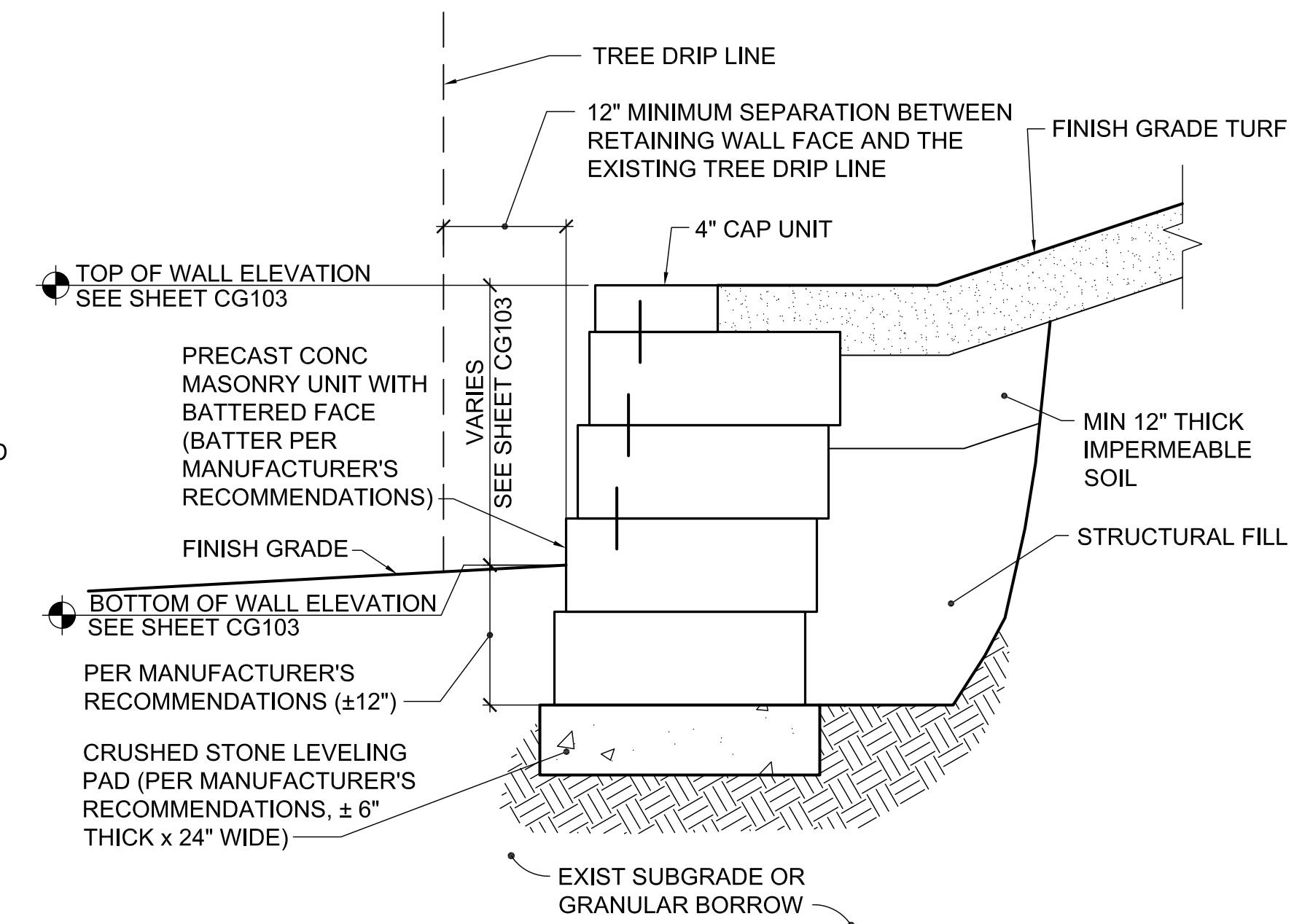
12 TYP TIPDOWN CURB DETAIL

CS102,CS103,C-301,C-503,C-504,C-505



13 TYP BOLLARD DETAIL

CS101,CS102,C-505,C-503 NOT TO SCALE



14 TYP RETAINING WALL SECTION

CG103 NOT TO SCALE

- NOTES:**
1. INSTALL PRECAST CONCRETE RETAINING WALLS IN CONFORMANCE WITH MANUFACTURER'S WRITTEN INSTRUCTIONS.
 2. MASONRY UNITS SHALL BE MACHINE SPLIT FLAT FACE, COLOR - TO BE SELECTED BY ARCHITECT FROM MANUFACTURER'S FULL COLOR RANGE.

- GRANITE CURB NOTES:**
1. JOINTS: PROVIDE 4" WIDE x 8 1/2" DEEP FELT PAPER OR FILTER FABRIC AT ALL CURB JOINTS.
 2. PROVIDE CURVED SECTIONS OF CURBING FOR ALL CURVES WITH RADI OF 80'-0" OR LESS THAT MATCHES THE RADI OF THE CURVES INDICATED. SEE SHEETS CL101 AND CL102 FOR LAYOUT INFORMATION.

STATE OF MAINE PUBLIC SCHOOL PROJECT			DRAWING NO. C-503 SHEET NO. 48 OF 312
TITLE: PORTLAND PUBLIC SCHOOLS LOCATION: NEW FRED P. HALL ELEMENTARY SCHOOL 23 ORONO ROAD, PORTLAND, ME TITLE THIS DRAWING: SITE DETAILS - 1			
NO.	DATE	DESCRIPTION	BY
		REVISIONS	
DATE: 03/17/17			