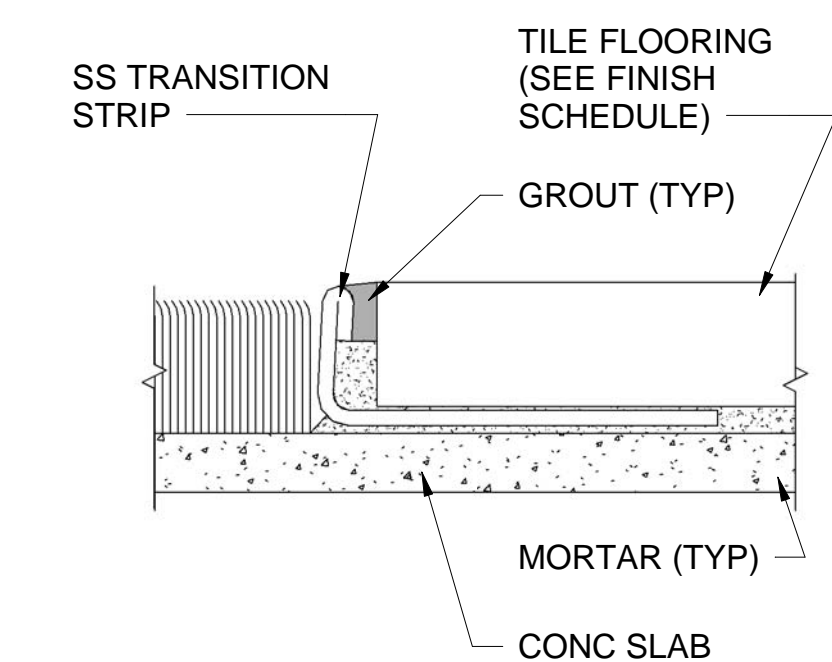


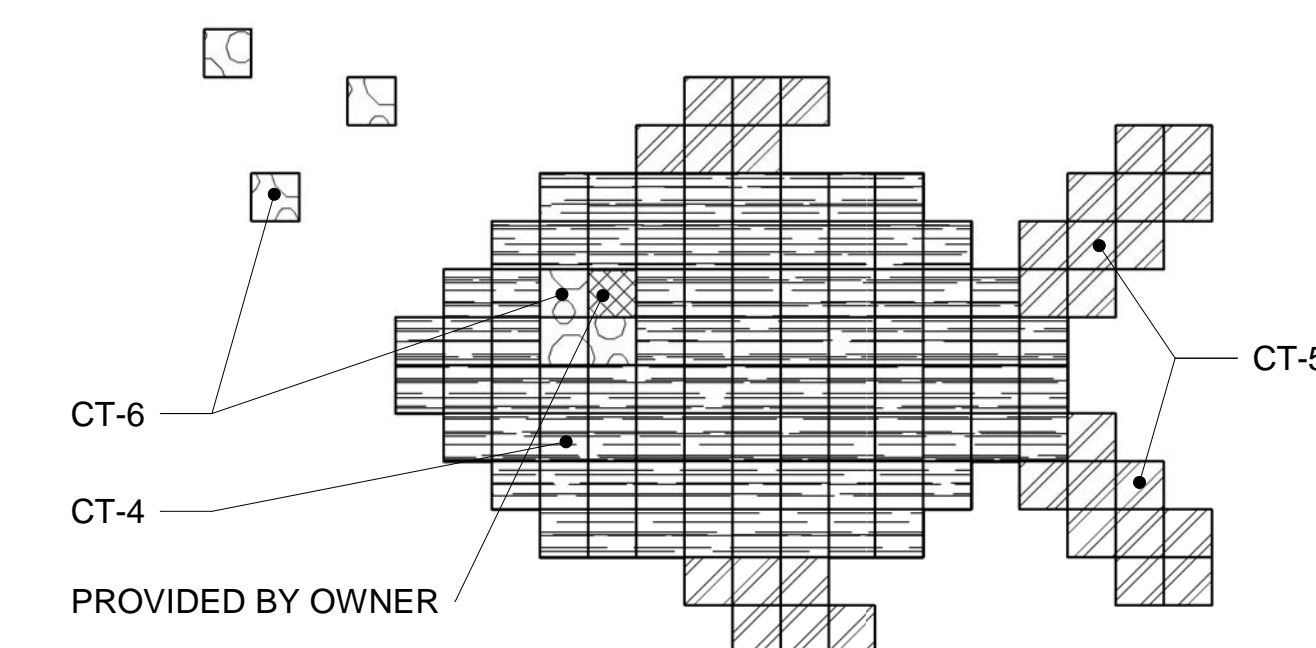
3 MOVEMENT JOINT DETAIL
AE801 SCALE: NOT TO SCALE



4 FLOORING TRANSITION DETAIL
AE801 SCALE: NOT TO SCALE

GENERAL NOTES:

1. PROVIDE TRANSITIONS AT ALL FLOORING MATERIAL CHANGES
2. COORDINATE THE EXPANSION JOINT WITH SAW CUTS ON STRUCTURAL DRAWING. MAXIMUM SPACING EQUALS 20 FEET



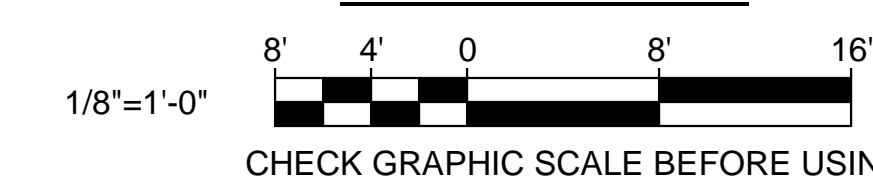
5 FISH INLAY - ALTERNATE #3
AE801 AE801 SCALE: 1/2" = 1'-0"

LINOLEUM LEGEND

- LIN 1
- ▨ LIN 2
- ▧ LIN 3
- ▩ LIN 4
- LIN 5
- LIN 6
- ▬ LIN 7
- ▭ LIN 8
- ▮ LIN 9
- ▯ LIN 10

1 FIRST FLOOR - PART PLAN WING A FLOOR FINISHES
AE201 AE801 SCALE: 1/8" = 1'-0"

GRAPHIC SCALE



CHECK GRAPHIC SCALE BEFORE USING

STATE OF MAINE PUBLIC SCHOOL PROJECT		DRAWING NO. AE801	
TITLE: PORTLAND PUBLIC SCHOOLS NEW FRED P. HALL ELEMENTARY SCHOOL		SHEET NO. 212 OF 312	
LOCATION: 23 ORONO ROAD, PORTLAND, ME		DATE: 03/17/17	
TITLE THIS DWG: FIRST FLOOR PART PLAN WING A FLOOR FINISHES		DRAWN BY: CET	
DRAWN BY: CET		CHECKED BY: TGB	
NO. DATE DESCRIPTION		BY NO.	
REVISIONS		DATE 03/17/17	